

M210



INFORMATION TECHNIQUE

SUMMARY

Engines	from 125 to 170 cc
Gearbox	-
Gear speed	single forward speed
Tool	cutting bar
Type	double blade 87 cm
Use	up to 6.000 sqm

TECHNICAL FEATURES

Transmission	endless screw in oil bath and belt
Gear-speed	FS, single forward speed
Speeds	FS: 2,6 Km/h
Handlebar	adjustable in height and by side
Driving levers	ergonomic with built-in safety system
Tool	cutting bar
Movement	double-blade
Cutting	1360 rpm working width 87 cm adjustable working height from 1,5 to 4,7 cm
Other	sheet metal skids, floating grass deflector
Driving wheels	tractor anti puncture 13x5,00-6"
Weight	57-60 Kg
Dimensions	87x157x190(h) cm

ENGINES

B&S 450 E-SERIES

Power supply	gasoline
Starting system	recoil
Displacement	125 cc
Power	1,8 kW
Fuel tank	0,8 liters

LONCIN 139.OHV

Power supply	gasoline
Starting system	recoil
Displacement	139 cc
Power	2,7 kW
Fuel tank	0,9 liters

B&S 625 EX-SERIES

Power supply	gasoline
Starting system	recoil
Displacement	150 cc
Power	2,27 kW
Fuel tank	0,8 liters

HONDA GCVx170

Power supply	gasoline
Starting system	recoil
Displacement	166 cc
Power	3,6 kW
Fuel tank	0,9 liters

RATO RV170-S Pro

Power supply	gasoline
Starting system	recoil
Displacement	170 cc
Power	3,1 kW
Fuel tank	0,8 liters

OPTIONALS

CUTTING BAR ESM

Operation	ESM double-blade cutting bar
Frame	sheet metal
Hood	single, floating
Net weight	15 Kg
Dimensions	89x39x20(h) cm

ESM SKIDS

Description	adjustable skids for ESM cutting bar
-------------	--------------------------------------

TRANSPORT TANK

Operation	sheet metal platform with stackable tipping tank 160 litres
Frame	sheet metal, plastic tank (LDPE)
Transport wheels	two frontal pivoting pneumatics 26x6"
Net weight	35 kg
Dimensions	71x108x86(h) cm

TANK EXTENSION

Description	tank extension with quick hooks, volumetric capacity 149 litres
Use	optional for transport tank

FLAT TANK

Operation	construction tank, front discharge system, 75 kg - 85 lt.
Frame	sheet metal, galvanized tank
Transport wheels	two frontal pivoting pneumatics 26x6"
Net weight	26 kg
Dimensions	71x108x86 cm

SNOW BLADE

Operation	front blade with quick connection system
Frame	sheet metal
Working width	85 cm
Adjustments	by side, $\pm 30^\circ$
Net weight	18 kg
Dimensions	85x93x96(h) cm

SNOW CHAINS

Description	iron snow chains for std. Wheels 13x5,00-5"
-------------	---

Documents

Frame, drive and wheels group

Handlebar group

Movement group

Bar group

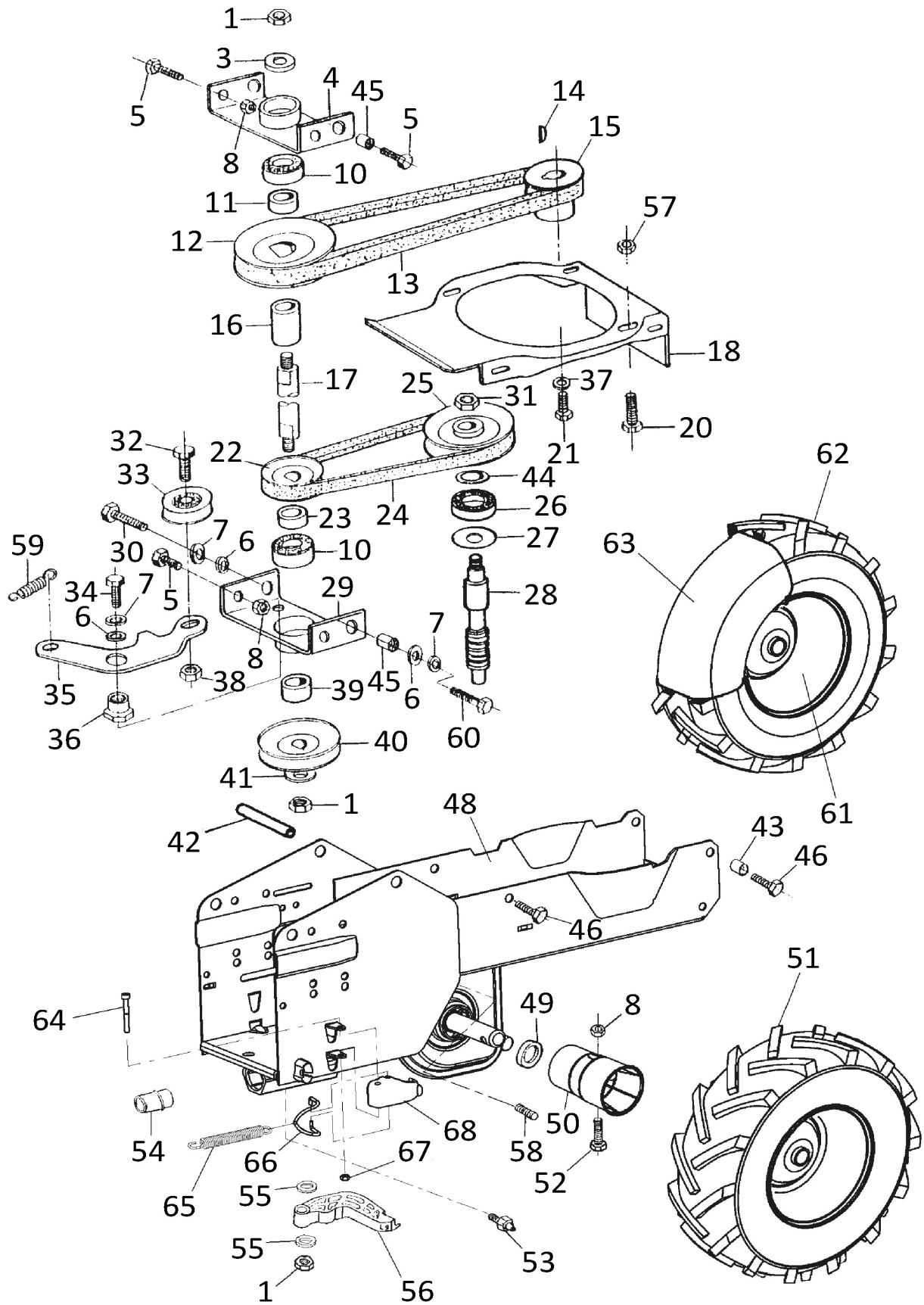


Illustration Frame, drive and wheels group

Nbre	Code	Désignation	Qté	Commentaires
1	00814645000	M..DADO M10 ES.BLOCK BASSO CL6 ZNT (K)	1	
3	00260005232	M..DISTANZIALE SUPER. ZNT -050 (K-3)	1	
4	00263005135	M..SUPPORTO RINVIO SUPER. ZNT (K)	1	
5	00862494000	M..VITE TE M8X16 FLANG.ZIG.8.8 ZNT (K)	4	
6	00843685000	M..RONDELLA D.8 DIN 125 A ZNT (K)	8	
7	00843667000	M..RONDELLA EL. D.8 DIN 128 A 2 ZNT RINF. (K)	2	
8	00814588000	M..DADO M8 ES.AUT.BASSO CL:61 ZNT (K)	1	
10	00812586000	M..CUSCINETTO 6203-2RS Ø17xØ40xH12	2	
11	00321005213	M..DISTANZIALE D.17x30 H12 ZNT (K)	1	
12	00261005203	M..PULEGGIA D.135 Dp8,5=124,5 RINVIO ZNT D.E.C.129 (MK522)	1	
13	00321005195	M..CINGHIA SPZ 1047	1	
14	00260050202	M..LING.DISCO 4X6,5X15,72 UNI6606 (K)	1	
15	00321025100	M..PULEGGIA MOTORE D.69 Dp8,5=62,1 (MK440)	1	
16	00321005214	M..DISTANZIALE D.18x22 H36,2 ZNT (K)	1	
17	00321005205	M..ALBERO RINVIO BLM (MK3336)	1	
18	00321005120	S..COPERCHIO SUPP.MOTORE ROSSO	1	Rosso - Red - Rut - Rouge
18	00321005121	S..COPERCHIO SUPP.MOT.VERDE RAL 6018	1	Verde - Green - Grüne - Vert
20	00862686000	M..VITE TE M8X35 FLANG.ZIG.8.8 ZNT	3	
21	00260050201	M..VITE TE 3/8x1" 24UNF (K)	1	
22	00321005207	M..PULEGGIA D.80 Dp8,5=56,9 RINVIO D.E.C.59 ZNT (MK524)	1	
23	00321005215	M..DISTANZIALE D.17x23 H13,5 -092 ZNT (K)	1	
24	00321005190	M..CINGHIA Z 29,75 (B)	1	
25	00321005210	M..PULEGGIA D.118 Dp8,5=109,5 V.S.F. D.E.C.115 ZNT (K) (MK 485)	1	
26	00811050160	M..CUSCINETTO 6302-2RS Ø15xØ42xH13	1	
27	00321005900	M..GUARNIZIONE OLIO ØINT 18, ØEST 41 (k-INT)	1	
28	00321005200	M..VITE S.F. CORTA BM375 (MK71)	1	
29	00263005142	M..SUPPORTO RINVIO INFER ZNT.	1	

Illustration Frame, drive and wheels group

Nbre	Code	Désignation	Qté	Commentaires
30	00862783000	M..VITE TE M8X40 UNI 5739 CL:8.8 ZNT TUTTO FILETTO(K)	1	
31	00814667000	M..DADO M10x1 UNI 5587 CL:8 ZNT SP.10 (K)	1	
32	00863740000	M..VITE TE M12X30 UNI 5739 CL8.8 ZNT (K)	1	
33	00260005906	S..RUOTA TENDICINGHIA Ø55 GRIGIA (MK3441)	1	
34	00862488000	M..VITE TE M8X16 UNI 5739 CL:8.8 ZNT (K)	1	
35	00260005229	M..BRACCIO TENDICINGHIA ZNT.	1	
36	00321005230	M..BOCCOLA PER TENDICINGHIA ZNT (K)	1	
37	00843755000	M..RONDELLA EL. D.10 DIN 128 A ZNT RINF. (K)	1	
38	00814703000	M..DADO M12 ES.AUTOBL BASSO.CL:6 ZNT (K)	1	
39	00260005384	M..Distanziale D.17x30 H11 ZNT (K)	1	
40	00260005220	M..PULEGGIA D.105 Dp8,5=96,6 ZNT. D.E.C. 101 (MK519)	1	
41	00843818000	M..RONDELLA D.11X30X2,5 UNI 6593 ZNT (K)	1	
42	00321010200	M..Distanziale FIX STEGOLE ZNT (K)	1	
43	00808990000	M..INSERTO FILET. M6 FRCP (rif.0307300) (K)D9,5	4	
44	00360005220	M..Distanziale D.10,2x25,8 H1 ITT(K)	1	
45	00808991000	M..INSERTO FILETTATO M8 FRC-ZIGR. RIF.1831600 (K)D10,9	2	
46	00862120000	M..VITE TE M6X16 FLANG.ZIG.8.8 ZNT (K)	2	
48	00321005095	S..TELAIO M210-V13 ROSSO	1	Rosso - Red - Rut - Rouge
48	00321005096	S..TELAIO M210-V13 VERDE RAL 6018	1	Verde - Green - Grüne - Vert
49	00802060000	M..ANELLO DI TENUTA D.20x35 H7 TC NBR DOPPIO LABBRO (K)	2	
50	00321015905	M..PARAPOLVERE RUOTE PNEUM. MTC/MNF (K)	2	
51	00321015252	S..RUOTA PNEU.P55 13X5.00-6 GRIGIO METALLIZZATO DX (MK344)	2	DX - Pneumatica
51	00321015262	M..RUOTA PIENA 13X5.00-6 GRIGIO METALL.DX (PU FULL WHEEL)	2	DX - Piena
51	00321015253	S..RUOTA PNEU.P55 13X5.00-6 GRIGIO METALLIZZATO SX (MK345)	2	SX - Pneumatica

Illustration Frame, drive and wheels group

Nbre	Code	Désignation	Qté	Commentaires
51	00321015263	M..RUOTA PIENA 13X5.00-6 GRIGIO METALL.SX (PU FULL WHEEL)	2	SX - Piena
52	00862860020	M..VITE A DISEGNO (TE M8X35 CL.8.8 ZNT) K	2	
53	00826016000	M..INGRASSATORE M6 CONICO HYDRAULIC DIR. (K)	1	
54	00261005901	M..BOCCOLA NYLON D.25x30 H37 - CON LABBRO (K)		
55	00843812000	M..RONDELLA D.10,5X21X2 UNI 6592 ZNT (K)	2	
56	00261005920	M..LEVA TENDI ATTREZZI NERA (K)	1	
57	00814599000	M..DADO M8 AUTOBLOCC. FLANGIA CONCAVA ZNT CL.8 (K)	3	
58	00852520000	M..TAPPO TE RID.1/4 GAS L.19 ZNT & (K)		
59	00261005905	M..MOLLA TRAZ. Øest=10.5 Øf=1.2 L=42 ZNT (K)	1	
60	00862752000	M..VITE TE M8X35 UNI 5739 ZNT 1 (K)		
61	00321015256	M..CERCHIONE COMPLETO RUOTA 13X5.00-6 (code 32)		
62	00321015255	M..PNEUMATICO 13x5.00-6		
63	00321015254	M..CAMERA D'ARIA PNEUMATICO 13x5.00-6		
64	00861942000	M..VITE TCEI M5X40 UNI 5931 ZNT (K)	2	
65	00322005301	M..MOLLA TRAZ. Øest=12 Øf=2 L=100.6 ZNT (K)	2	
66	00322005300	M..GANCIO MOLLA (K)	2	
67	00814530090	M..DADO M5 ES. AUTOBL. BASSO2 CL:8 ZNT (K)		
68	00322005930	M..GANCIO RAPIDO (k)	2	

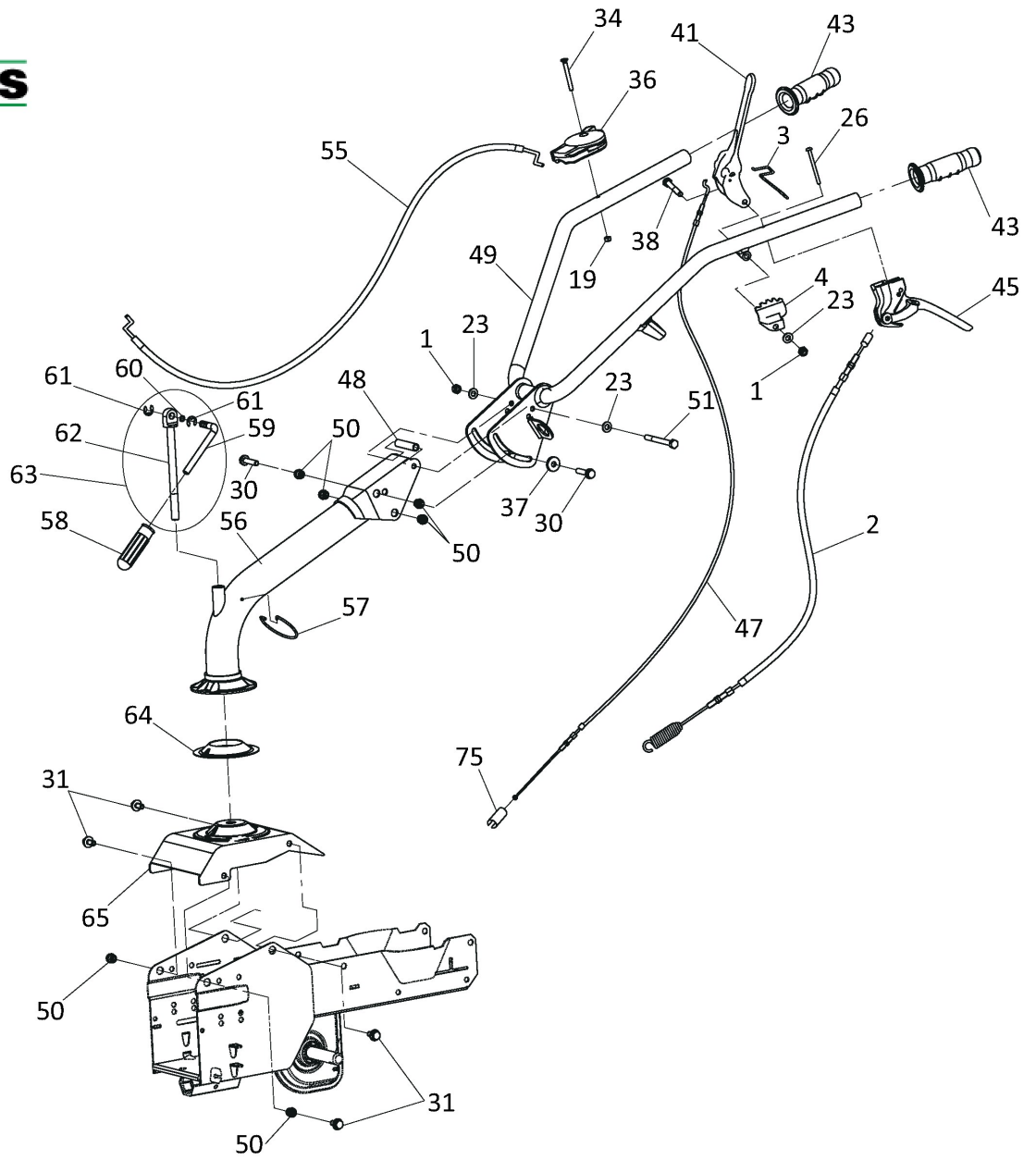


Illustration Handlebar group

Nbre	Code	Désignation	Qté	Commentaires
1	00814588000	M..DADO M8 ES.AUT.BASSO CL:6 ZNT (K)		
2	00321010319	M..TRASMISSIONE COMPL.FRIZIONE M210 L/S		
3	00261010305	M..MOLLA BLOCC. LEVA INNESTO ATTREZZO SX (K)		
4	00261010304	S..PIASTRA AGGANCIO LEVA ROSSA		
19	00814548000	M..DADO M6 ES.AUT.BASSO CL:6 ZNT (K)		
23	00843685000	M..RONDELLA D.8 DIN 125 A ZNT (K)		
26	00861840275	M..VITE TBCE M6X60 ISO 7380 ZNT (K)		
30	00862685000	M..VITE TE M8X25 FLANG.ZIG.8.8 ZNT (K)		
31	00862494000	M..VITE TE M8X16 FLANG.ZIG.8.8 ZNT (K)		
34	00862356200	M..VITE M6X55 UNI 5933 CL10.9 ZNT (K)		
36	00321010930	S..KIT ACCELERATORE C/RALLA RICAMB.HONDA/LONCIN		
36	00321010920	M..ACCELERATORE COMPLETO TN (K-2)		
37	00843711000	M..RONDELLA D 8,5X24X4 ZNT (K)		
38	00862881000	M..VITE TE M8X50 UNI 5737 CL.8.8 ZNT (K)		
41	00261010302	S..LEVA INNESTO ATTREZZI ROSSA		
43	00330010910	M..MANOPOLA D.25 S/PARAMANO (K)		
45	00360010185	M..LEVA SINGOLA C-30 NERA CON BLOCCO ABIL.		
47	00321010316	M..TRASMISSIONE INNES.ATTR.MTCBLM		
48	00231010209	M..DISTANZIALE D.9x12 H54 PERNO STEG. ZNT		
49	00321010174	S..STEGOLA COMPL. NERA MTCBLM V12		
50	00260050200	M..INSERTO FILET. M8 TFP STAMPATO rif.4437500(K) D12,6		
51	00863047000	M..VITE TE M8X80 UNI 5737 ZNT. (K)		
55	00260050238	M..FILO+GUAINA ACC.EUR. 1160-1080		
56	00321010146	S..TUBO SUPP.STEGOLA VERDE 6018		
56	00321010145	S..TUBO SUPP.STEGOLA ROSSO MTCBLM		
57	00231010224	M..GANCIO TENUTA FILI IN ACCIAIO (K)		
58	00220050900	M..MANOPOLA D.10 ROSSA (rif.1003) (K)		

Illustration Handlebar group

Nbre	Code	Désignation	Qté	Commentaires
59	00231010223	M..MANIGLIA BLOCCAGGIO STEG. ZNT (MK3422)		
60	00803050000	M..ANELLO OR 2025 (6,07X1,78) (K)		
61	00801039000	M..ANELLO BENZING DIN 6799 D=9 (K)		
62	00231010219	M..TIRANTE BLOCC.STEG. P55 ZNT		
63	00321010159	M..KIT LEVA BLOCCAGGIO STEGOLA		
64	00231005906	M..SPESSORE A CALOTTA (K-3)		
65	00321005363	S..COPERCHIO TELAIO VERDE M210		
65	00321005364	S..COPERCHIO TELAIO ROSSO M 210		
75	00261010210	M..FERMAFILO INNESTO BARRA ZNT (MK3377)		

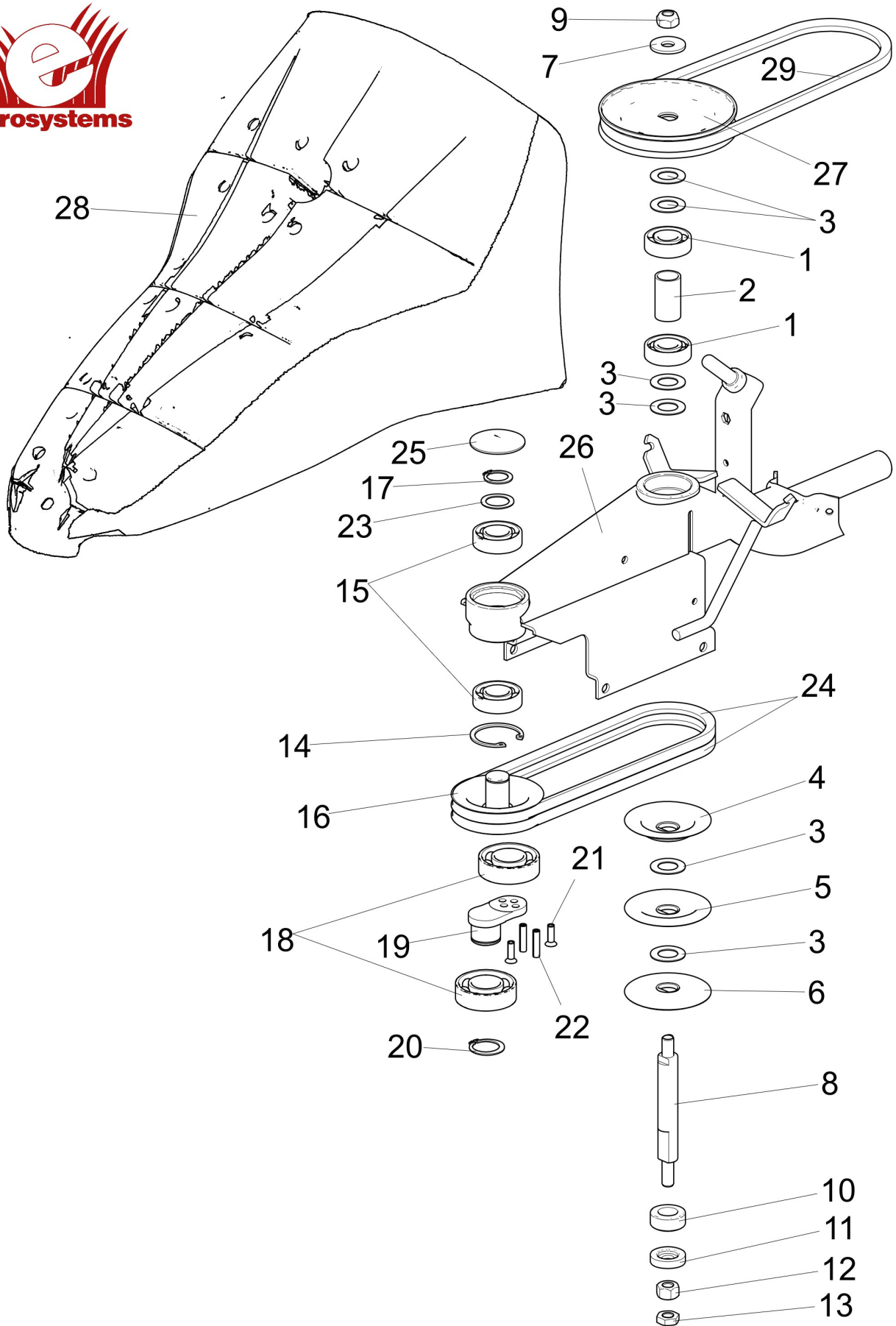


Illustration Movement group

Nbre	Code	Désignation	Qté	Commentaires
1	00812586000	M..CUSCINETTO 6203-2RS Ø17xØ40xH12	2	
2	00321020202	M..DISTANZIALE D.18x22 H38 RINVIO BARRA (K)	1	
3	00270013596	M..DISTANZIALE D.17,2x29,8 H1 ITT (K-INT)	6	
4	00321005244	M..SEMIPULEGGIA D.74 Dp8,5=71,6 RINVIO SUP. (MK1324)	1	
5	00321005242	M..SEMIPULEGGIA D.74 Dp8,5=71,6 RINVIO CENT. (MK1323)	1	
6	00321005240	M..SEMIPULEGGIA D.74 Dp8,5=71,6 RINVIO INF. (MK1322)	1	
7	00843818000	M..RONDELLA D.11X30X2,5 UNI 6593 ZNT (K)	1	
8	00321020201	M..ALBERO RINVIO BARRA P55 LUNGO (MK4028)	1	
9	00814645000	M..DADO M10 ES.BLOCK BASSO CL6 ZNT (K)	1	
10	00321005213	M..DISTANZIALE D.17x30 H12 ZNT (K)	1	
11	00260005232	M..DISTANZIALE SUPER. ZNT -050 (K-3)	1	
12	00814644000	M..DADO M10 UNI 5587 CL:8 ZNT SP.10 (K)	1	
13	00814627000	M..DADO M10 UNI 5589 CL:8 ZNT SP. 6 (K)	1	
14	00801309000	M..ANELLO SEEGER UNI 7437 I42 (K)	1	
15	00812632000	M..CUSCINETTO 6004-2RS1 Ø20xØ42xH12	2	
16	00321020208	S..PULEGGIA DOPPIA MOV.BARRA FIN. Dp8,5=76,4	1	
17	00801149000	M..ANELLO SEEGER UNI 7435 E20 (K)	1	
18	00812712000	M..CUSCINETTO 6205-2RS (Q1) Ø25xØ52xH15	2	
19	00321020205	S..ECCENTRICO FLANGIA MOV.BARRA	1	
20	00801185000	M..ANELLO SEEGER UNI 7435 E25 (K)	1	
21	00862168000	M..VITE TSPEI M6X18 UNI 5933 ZNT CL:10.9 (K)	2	
22	00851261000	M..SPINA SPIROL D.6X24 DIN 7344 (K)	2	
23	00270011943	M..DISTANZIALE D.20,2x28 H1 ITT (K - INT)	1	
24	00321005184	M..CINGHIA XPZ 630 ES.6847 SPECIALE (K)	2	
25	00852758000	M..TAPPO AD ESPANSIONE D.47 ZNT (K int)	1	

Illustration Movement group

Nbre	Code	Désignation	Qté	Commentaires
26	00321020172	S..SUPP.BARRA COMPL. BLM CATAFORESI	1	
27	00260005237	M..PULEGGIA D.118 Dp8,5=106 V.S.F. D.E.C.115 ZNT (MK520)	1	
28	00321020930	M..COFANO BILAMA BIANCO RAL 1 9001 (K)	1	
29	00270201832	M..CINGHIA SPZ 737	1	

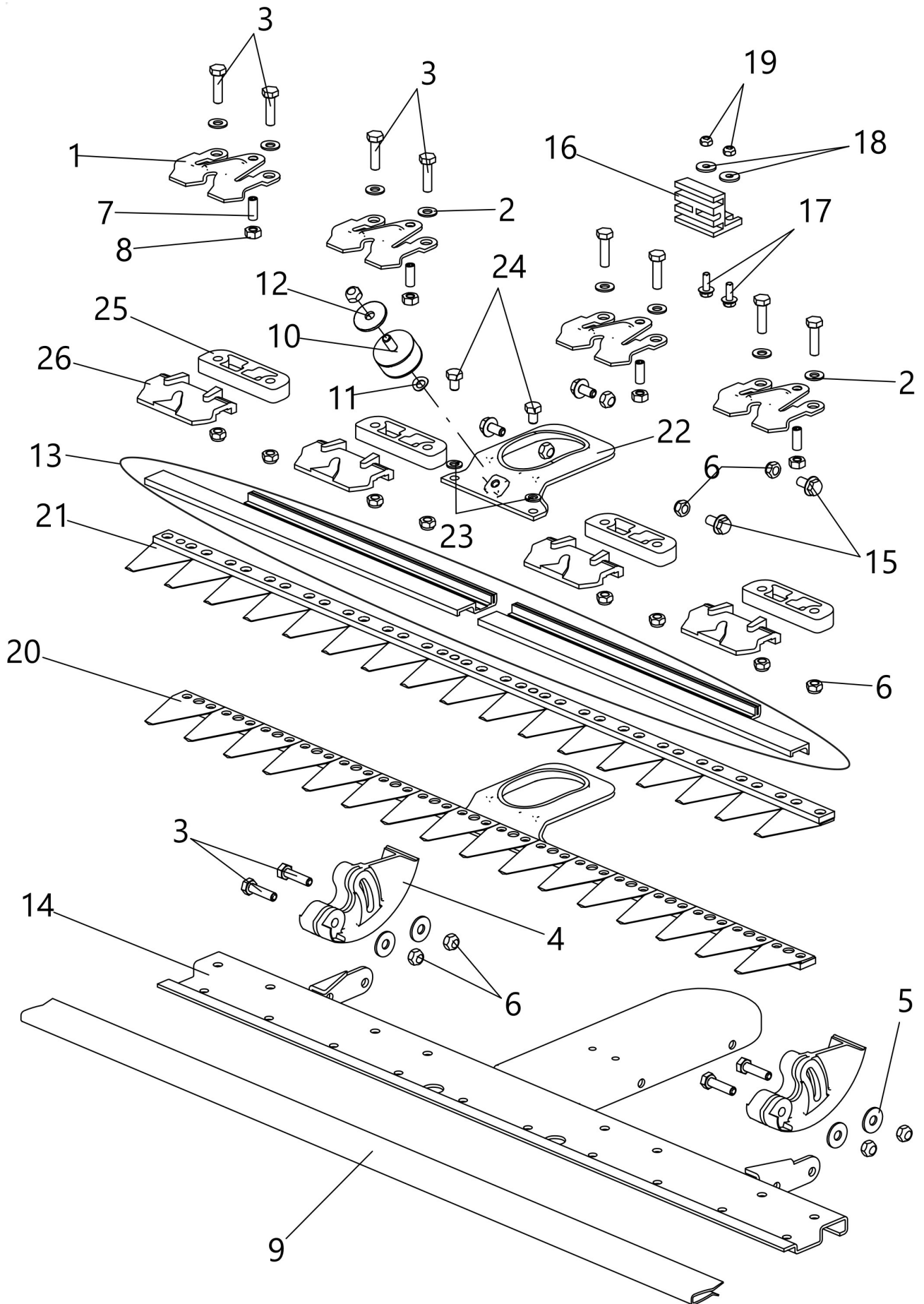


Illustration Bar group

Nbre	Code	Désignation	Qté	Commentaires
1	00261020112	S..PIASTRA REGISTRO BARRA TRATT. + VELO ANTIRUGGINE	4	
2	00843685000	M..RONDELLA D.8 DIN 125 A ZNT (K)	8	
3	00862724000	M..VITE TE M8X30 UNI 5739 CL:8.8 ZNT (K)	12	
4	00261020116	M..SLITTA (K)	2	
5	00843708000	M..RONDELLA D.9X24X2 UNI 6593 ZNT (K)	4	
6	00814588000	M..DADO M8 ES.AUT.BASSO CL:6 17 ZNT (K)		
7	00862672000	M..VITE M8X20 UNI 5923 CL:12.94 (K)		
8	00814574000	M..DADO M8 UNI 5588 ZNT SP.6,5 (K)	4	
9	00261020115	M..PROTEZIONE LAMA L=870 cm.	1	
10	00321020916	M..ANTIVIBRANTE 40X20 M8 X10-16	1	
11	00843654000	M..RONDELLA EL. ONDULATA D.8 ZNT DIN 137 B (K)	1	
12	00843713000	M..RONDELLA D.9x32x2,5 UNI 6593 ZNT (K)	1	
13	00321020918	S..KIT GUIDA BARRA DX/SX L.405 mm PER RICAMBI	1	
14	00321020117	M..CORPO BARRA COMPL.ZNT L.813 (K)	1	
15	00862494000	M..VITE TE M8X16 FLANG.ZIG.8.8 ZNT (K)	4	
16	00321020910	M..GUIDA POSTERIORE PIASTRE 1 (K)		
17	00862120000	M..VITE TE M6X16 FLANG.ZIG.8.8 ZNT (K)	2	
18	00843619000	M..RONDELLA D.6,6X18X2 UNI 6593 ZNT (K)	2	
19	00814548000	M..DADO M6 ES.AUT.BASSO CL:6 2 ZNT (K)		
20	00321020246	S..LAMA INF.COMPL.L.813 BLM (ESM-265.0910)	1	
21	00321020266	M..LAMA SUP.COMPL.L.864 BLM (ESM-248.4670)	1	
22	00321020211	S..PIASTRA SUPER.MOV.LAMA COMPLETA + VELO ANTIRUGGINE	1	
23	00843667000	M..RONDELLA EL. D.8 DIN 128 A 2 ZNT RINF. (K)		
24	00862459050	M..VITE TE M8X12 UNI 5739 CL:8.8 ZNT (K)	2	
25	00321020122	S..SUPPORTO PREMILAMA AL Kg.0,079	4	
26	00321020908	M..GUIDA BARRA PER PREMILAMA (K)	4	