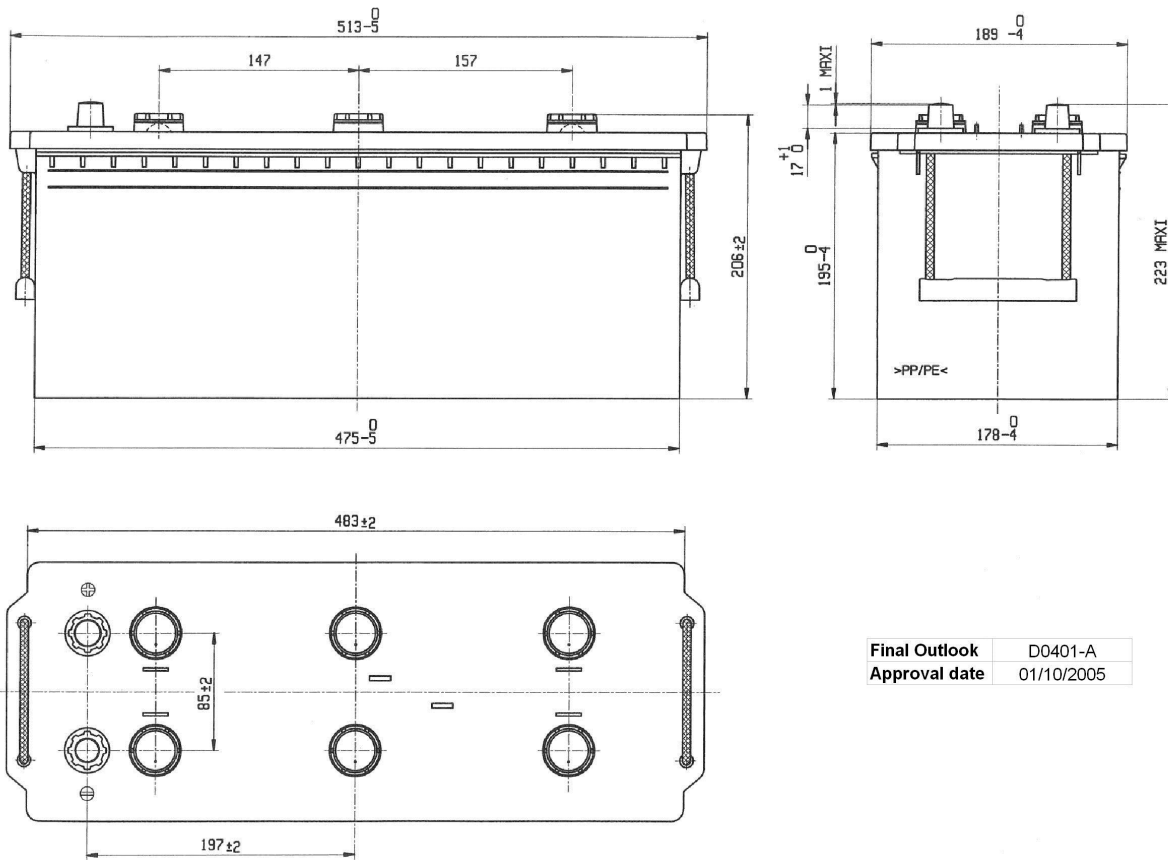


Central Article Code: D04081C01-A
 ETN Code or Other:

Created: 21/01/2013
 Modified: 4/9/2013



PERFORMANCES

Voltage (V): 12 V
 C20 (Ah): 140.0 20 h
 Rc (min): 0
 Cranking (A): 800 EN
 Vibration: V2 (35Hz/6g/2h)
 Endurance: E2 (90 cycles@50%)
 Charge: WET
 Technology: Vented/Flooded
 Grid: Ca/Ca

WEIGHT AND STD. DIMENSIONS

Battery Weight (kg): 34.88
 Volume acid (l): 10.02
 Length (mm): 513
 Width (mm): 189
 Height (mm): 223

All figures show nominal values. Tolerances are according to EN50342 and applicable European Regulations.

CONTAINER

Type: D04 BLACK
 Hold Down: B0
 H.D. Adapter: No

COVER

Type: Flat/Screw BLACK
 Polarity: ETN 3
 Terminals: EN taper post
 Terminal Adapter: No
 SOCI: No
 Ventilation: Independent
 Filter: No
 Lateral Plug: No

PLUGS

Type: 6 x M27 BLACK

HANDLES

Type: 2 x Rope (Rigid) BLACK

OTHERS

Degassing Tube: No