

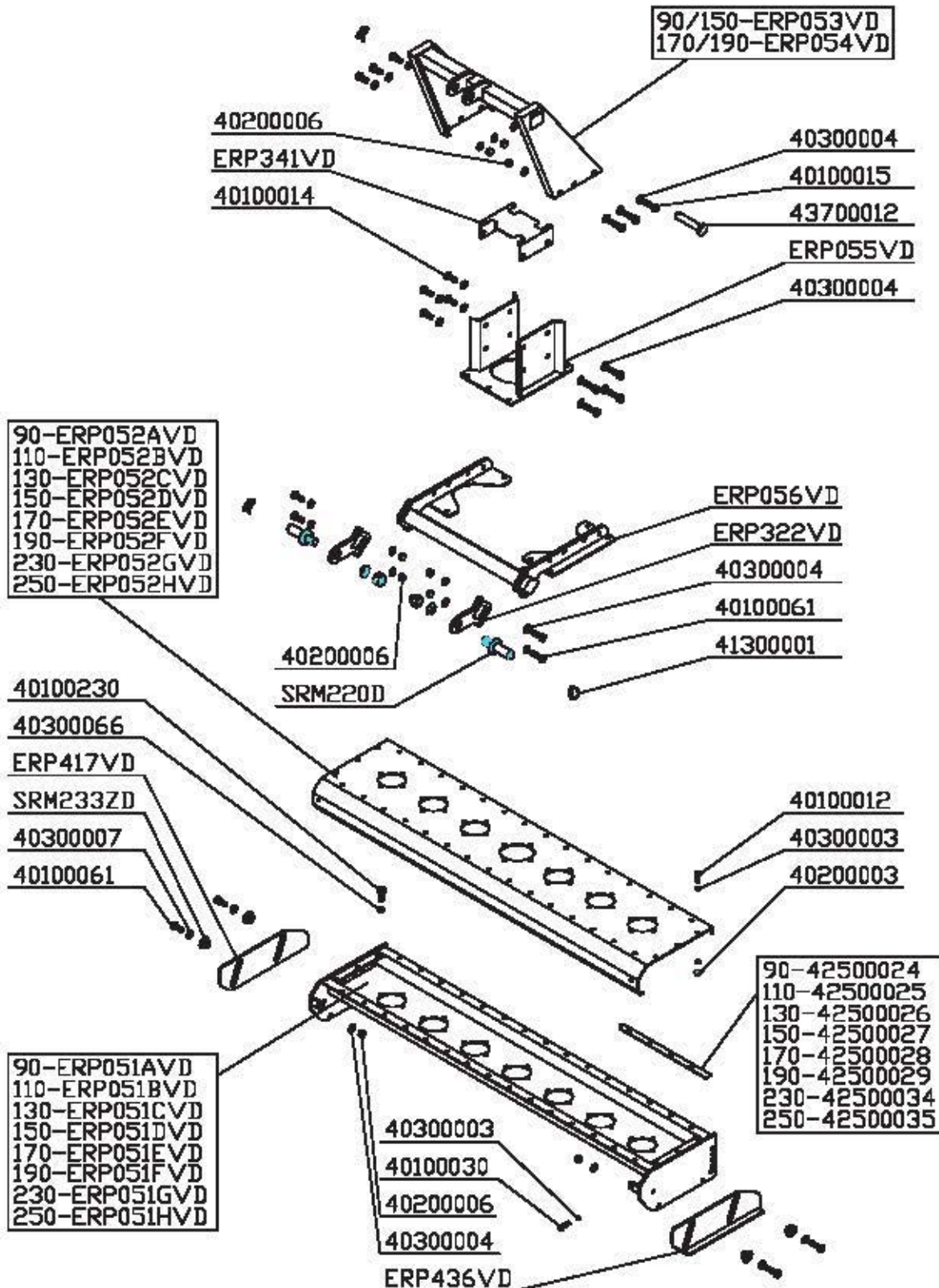


ROTEX M

90 - 110 - 130 - 150

Erpice Rotante
Rotary Harrow
Herse Rotative

TELAIO - FRAME - CHASSIS



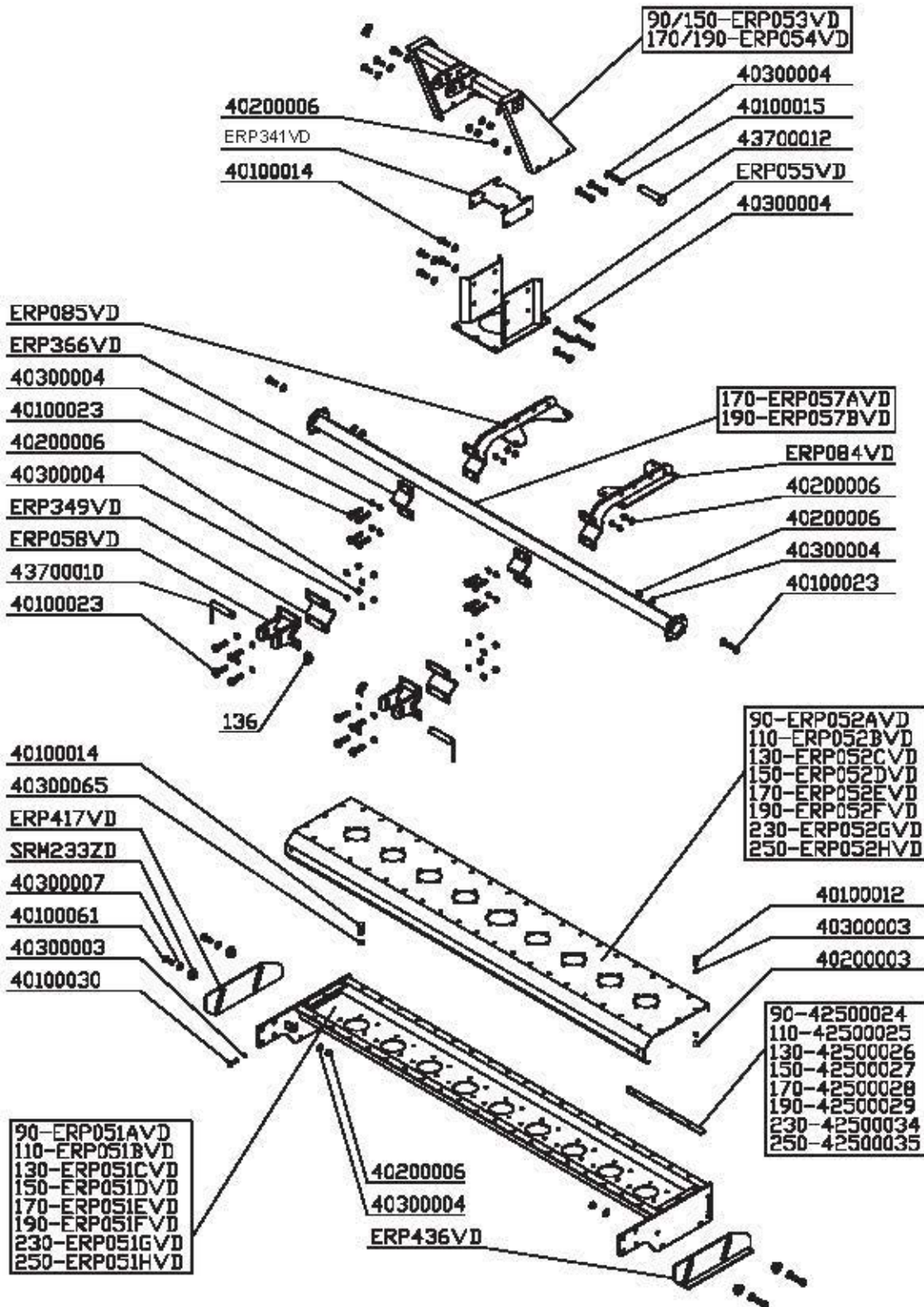


ROTEX H

170 - 190 - 230 - 250

Erpice Rotante
Rotary Harrow
Herse Rotative

TELAIO - FRAME-CHASSIS (ROTEX 170 - 190)



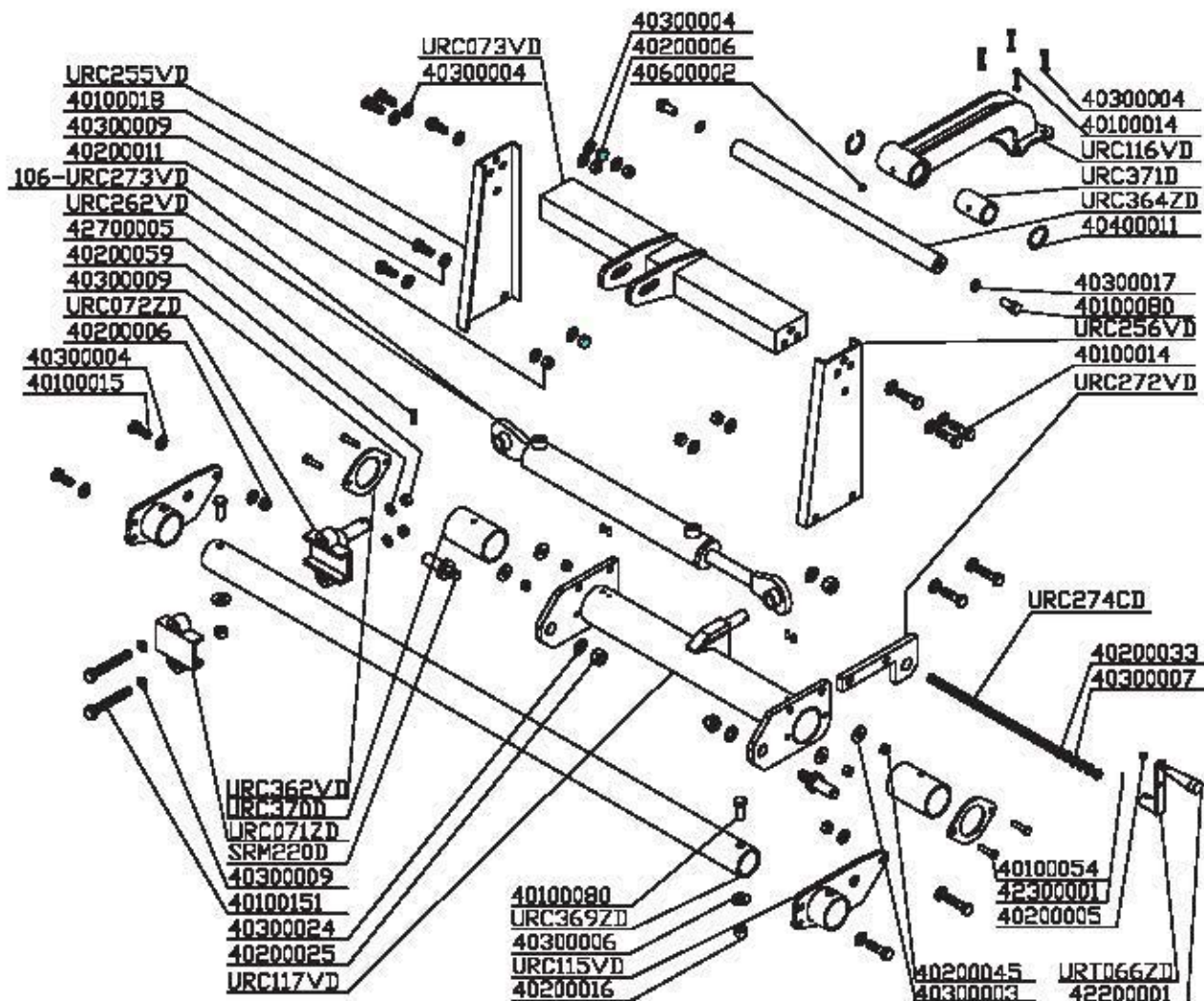


FLIPPER

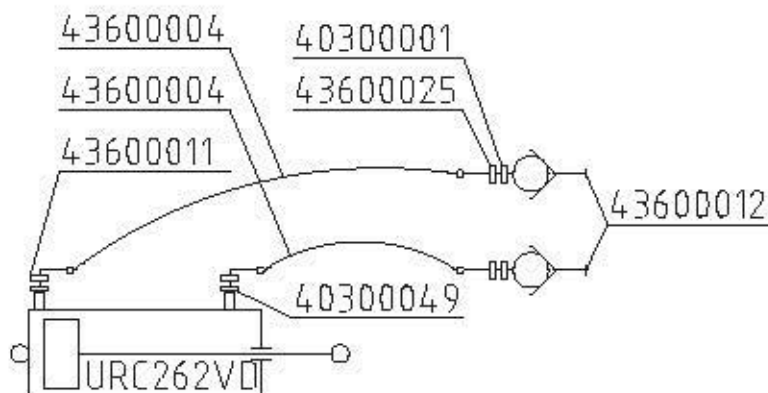
80 - 106 - 132 - 158 - 186 - 214

Trinciatrice Reversibile
Reversible Flail Mower
Broyeur Reversible

SPOSTAMENTO IDRAULICO E MECCANICO HYDRAULIC AND MECHANICAL SHIFTING - DEPORT HYDRAULIQUE ET MECANIQUE (FLIPPER 214)



IMPIANTO IDRAULICO - HYDRAULIC PLANT - CIRCUIT HYDRAULIQUE



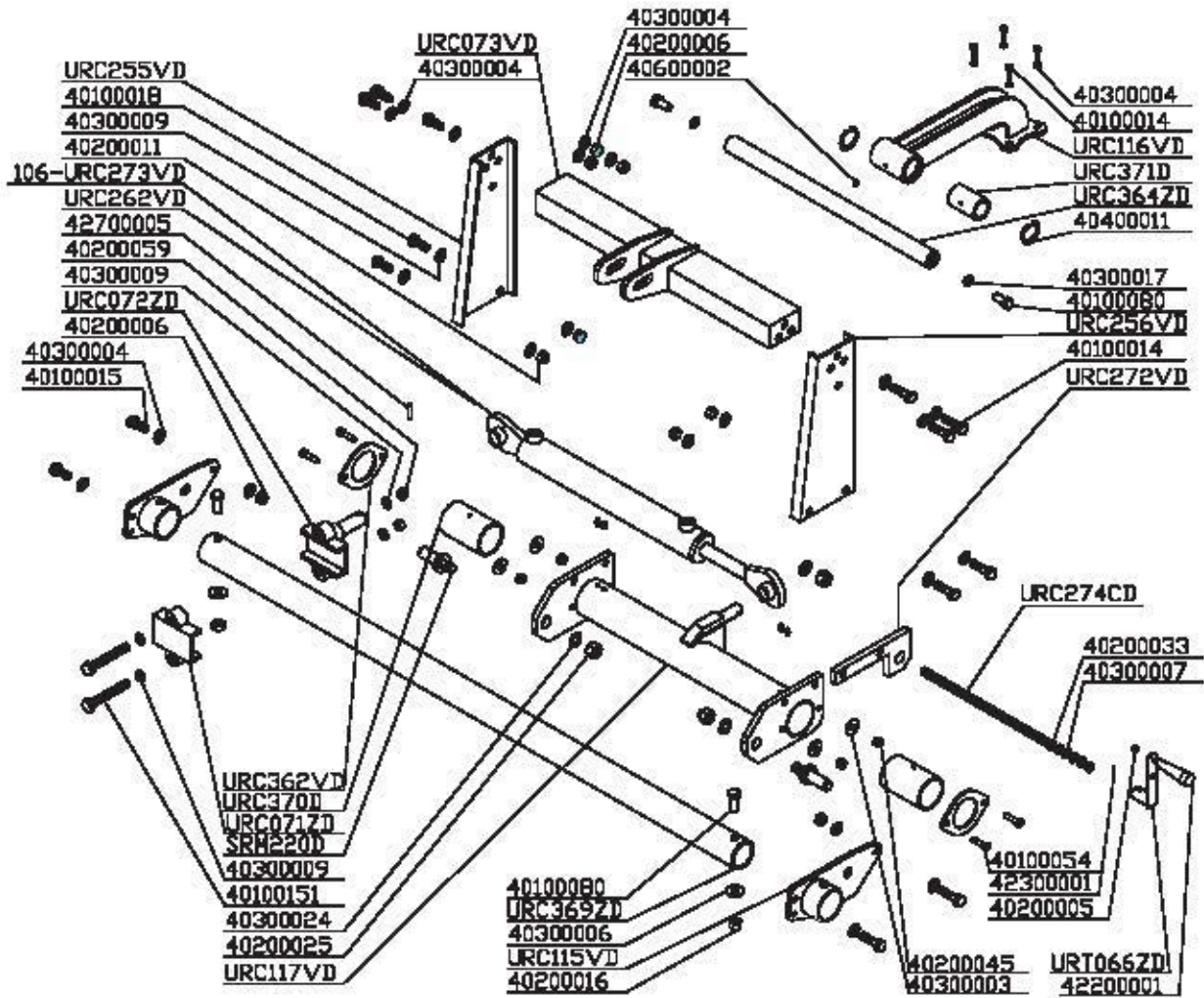


FARM

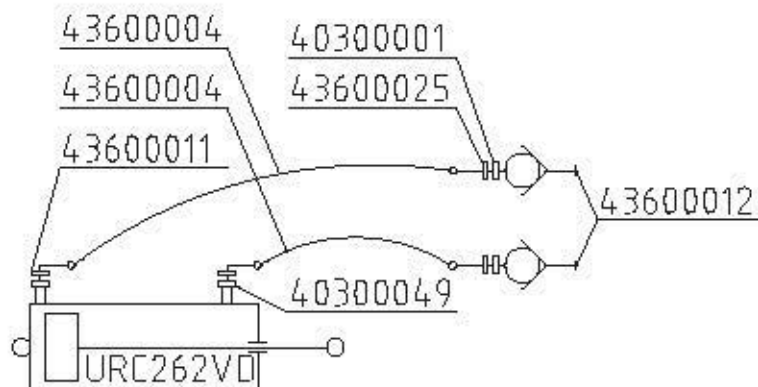
132 - 158 - 186 - 214

Trinciatrice Reversibile
 Reversible Flail Mower
 Broyeur Reversible

SPOSTAMENTO IDRAULICO E MECCANICO - HYDRAULIC AND MECHANICAL SHIFTING DEPORT HYDRAULIQUE ET MECANIQUE (FARM 214)



IMPIANTO IDRAULICO - HYDRAULIC PLANT - CIRCUIT HYDRAULIQUE





SCORPION

TELAIO - FRAME - CHASSIS

Biotrituratore
Shredder
Broyeur à Vegetaux

