

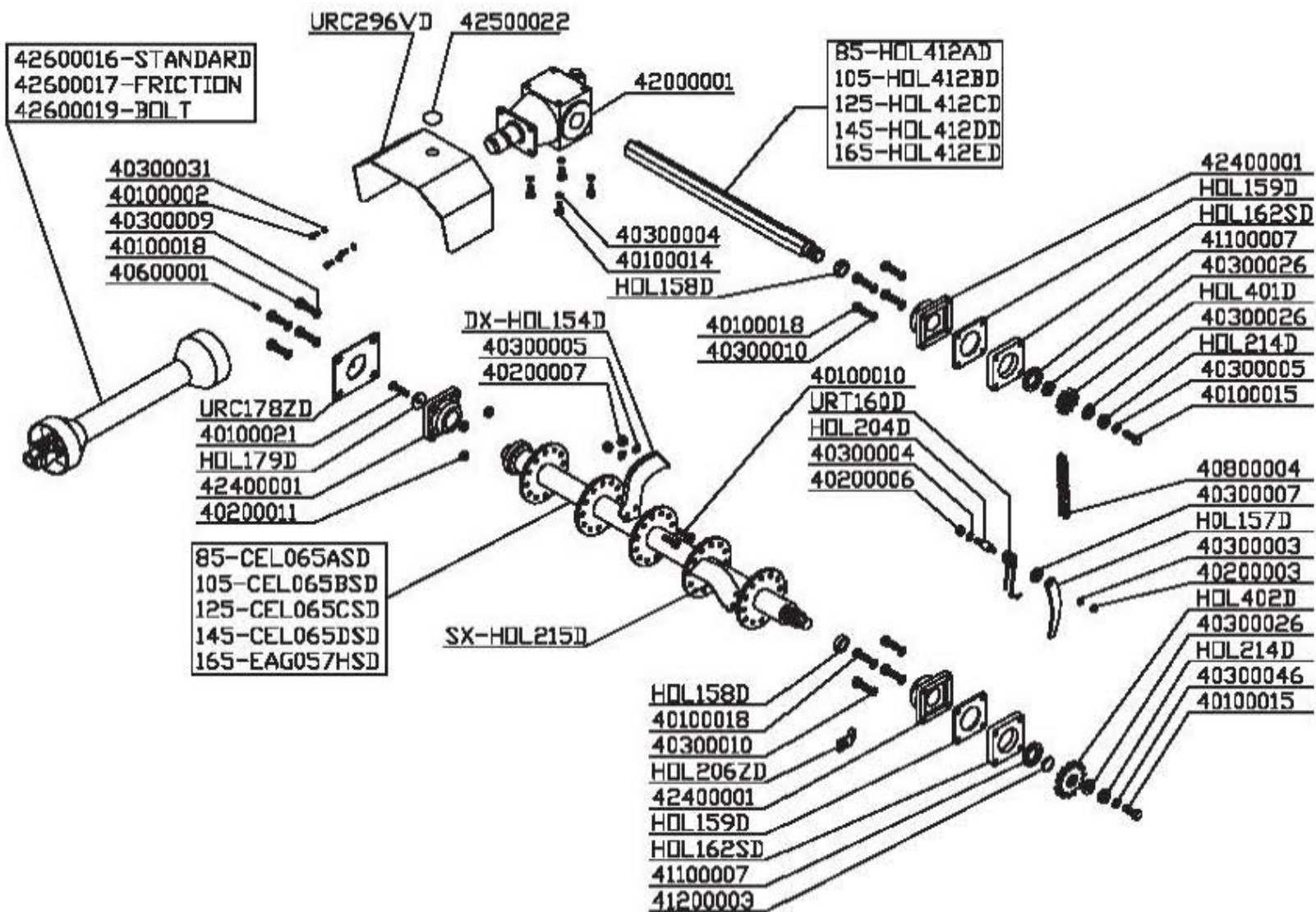


# EAGLE

85 - 105 - 125 - 145 - 165

Zappa rice Fissa  
Fixed Rotary Tiller  
Fraise Five

## TRASMISSIONE - DRIVE TRAIN COMPONENTS - TRANSMISSION



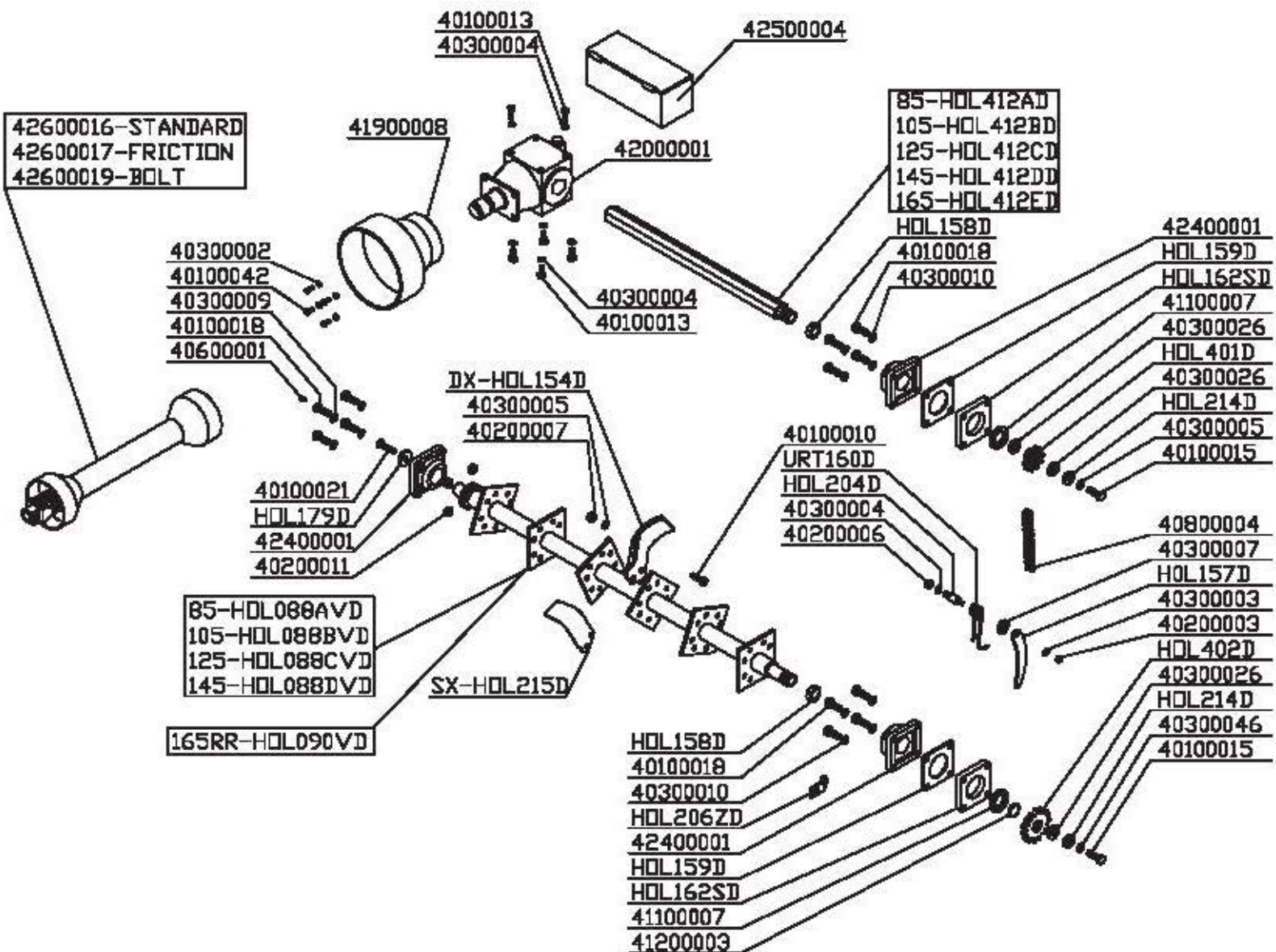


# HOLIDAY R

85 - 105 - 125 - 145

Zappatrice Spostabile  
Side Shift Rotary Tiller  
Fraise Déportable

## TRASMISSIONE - DRIVE TRAIN COMPONENTS - TRANSMISSION



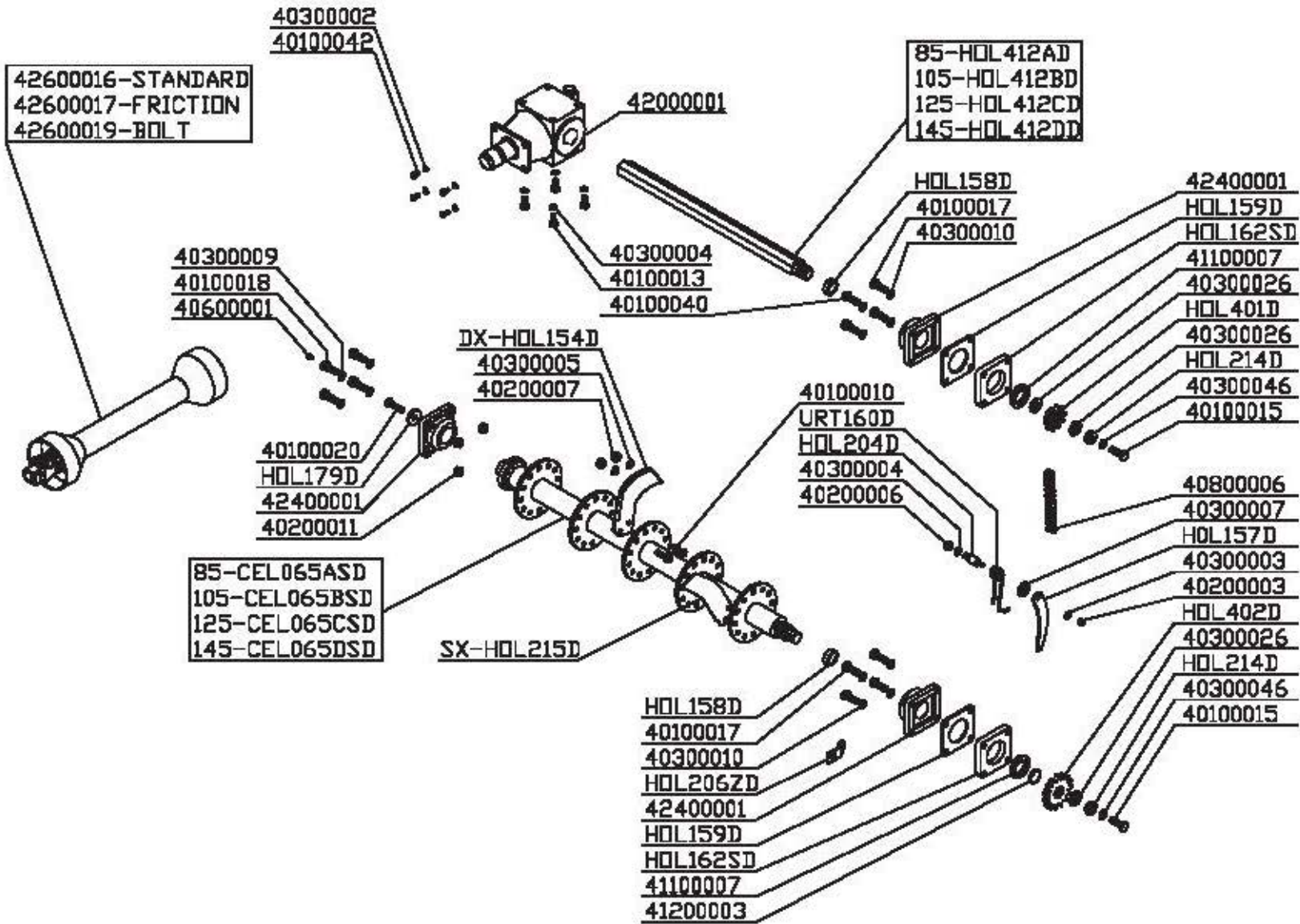


# HOLIDAY RS

85 - 105 - 125 - 145

Zappatrice Spostabile  
Side Shift Rotary Tiller  
Fraise Déportable

TRASMISSIONE - DRIVE TRAIN COMPONENTS - TRANSMISSION



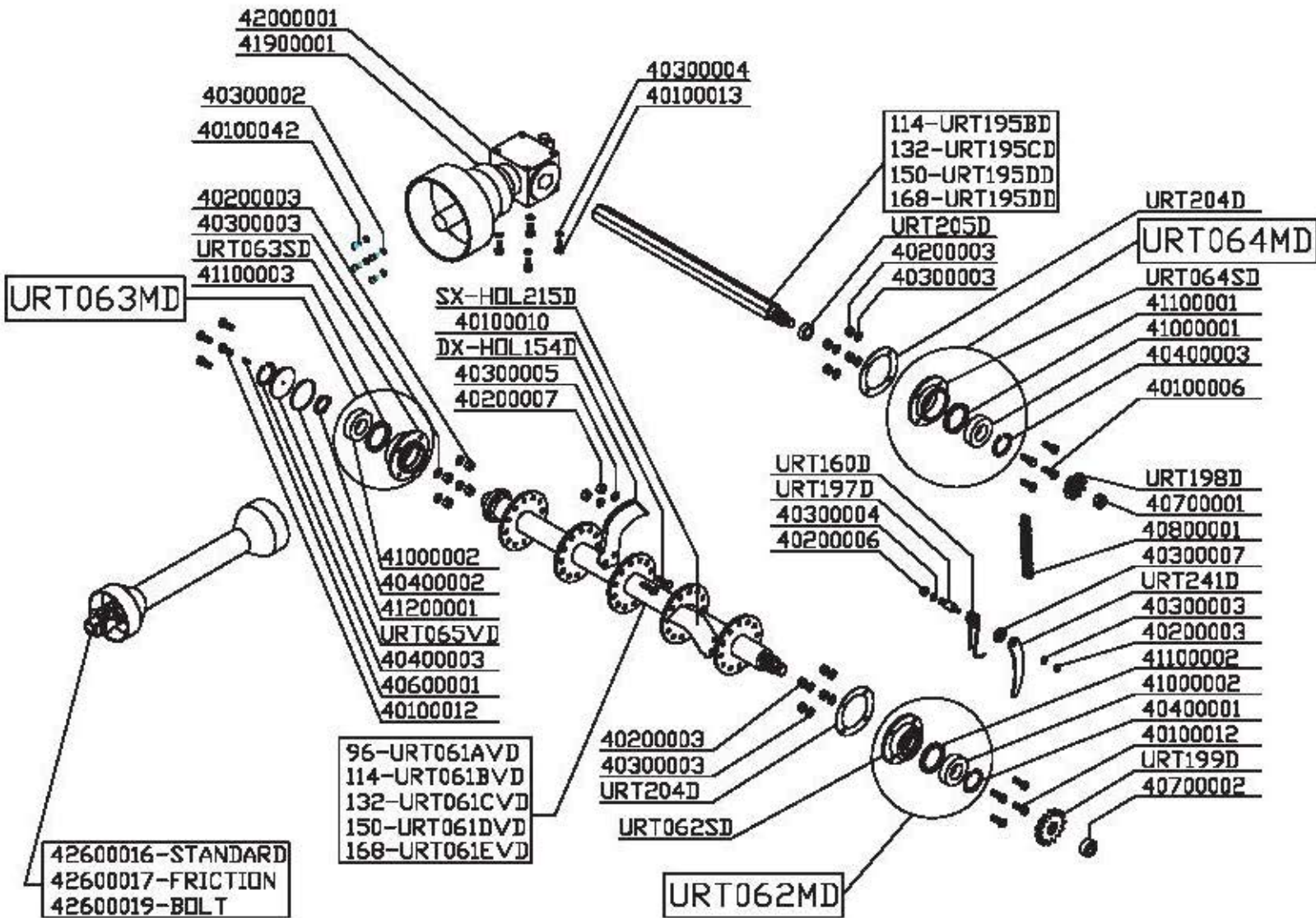


# URT ED

96 - 114 - 132 - 150 - 168

Zappatrice Spostabile  
Side Shift Rotary Tiller  
Fraise Déportable

TRASMISSIONE - DRIVE TRAIN COMPONENTS - TRANSMISSION



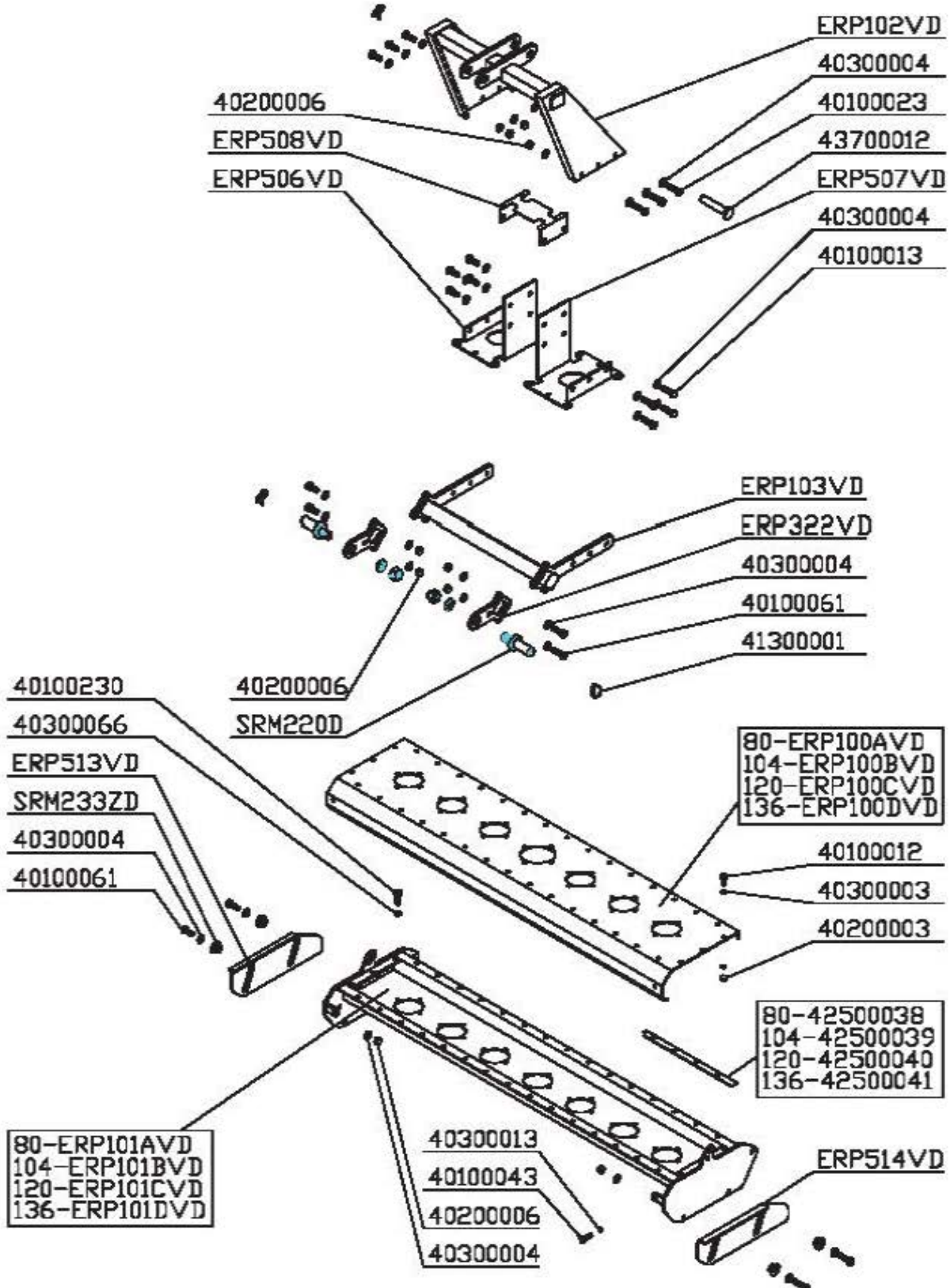


# ROTEX L

88 - 104 - 120 - 136

*Erpice Rotante*  
*Rotary Harrow*  
*Herse Rotative*

## TELAIO - FRAME - CHASSIS



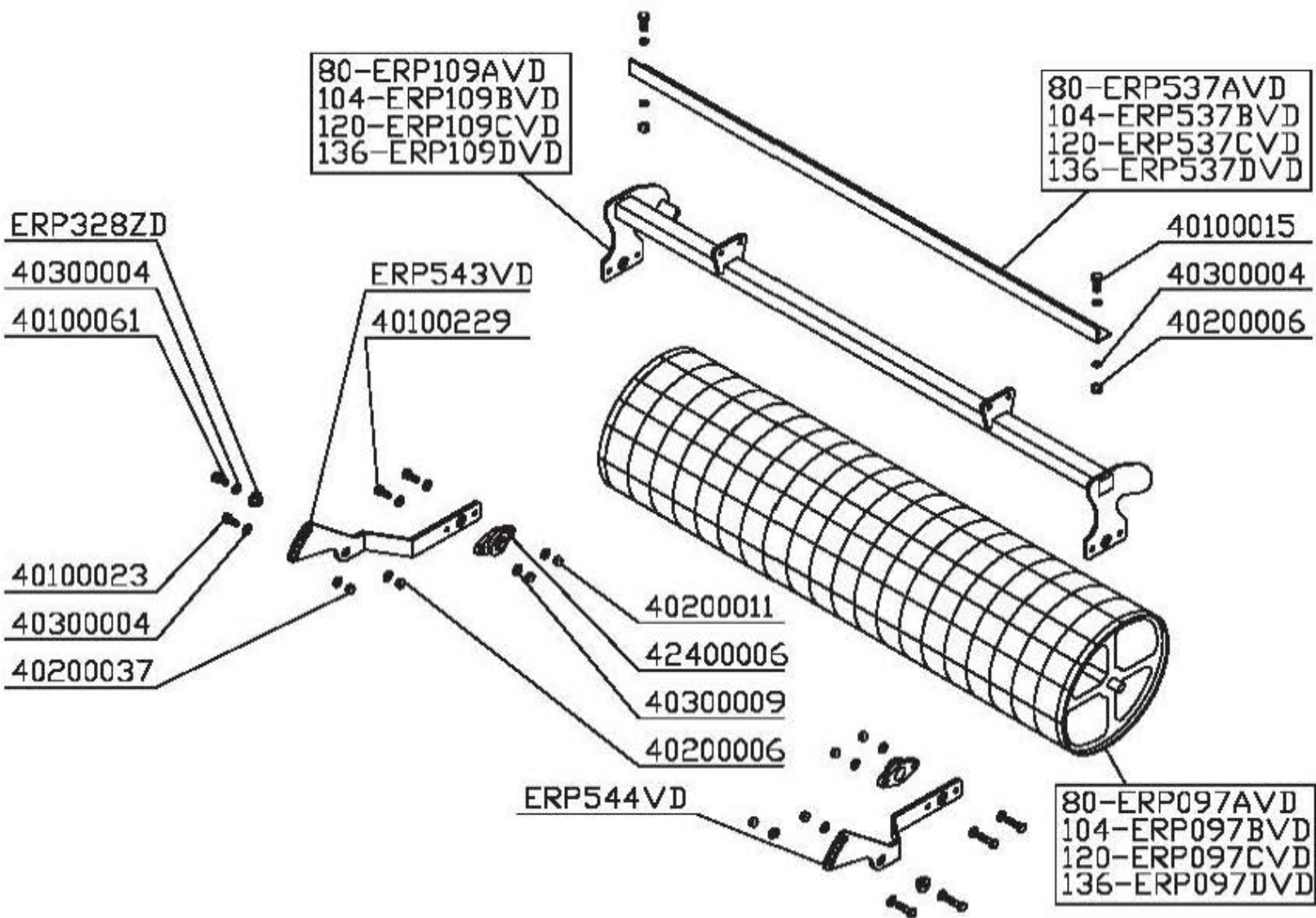


# ROTEX L

88 - 104 - 120 - 136

Erpice Rotante  
Rotary Harrow  
Herse Rotative

RULLO GRIGLIA - WIRE ROLLER - ROULEAU GRILLE



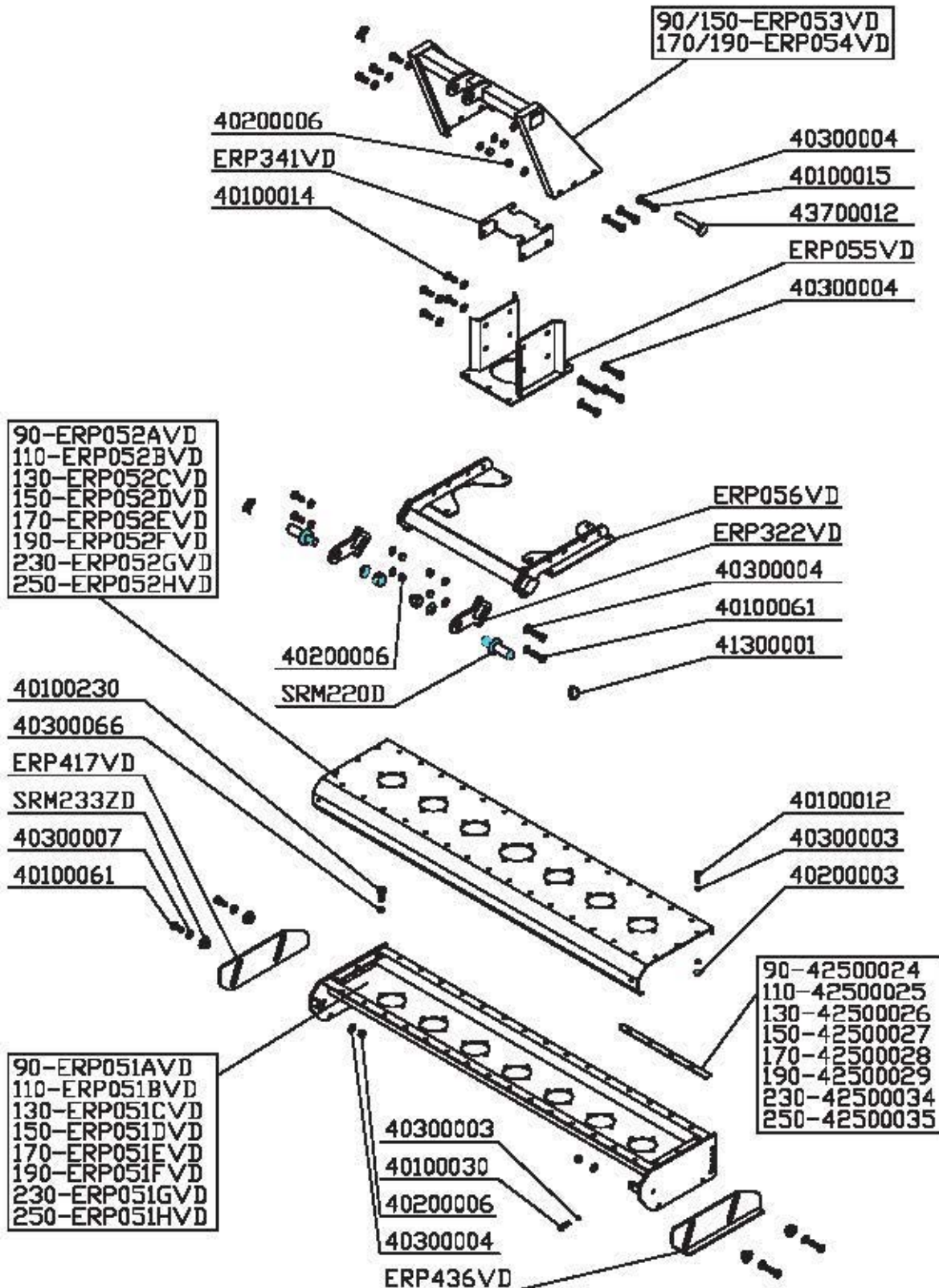


# ROTEX M

90 - 110 - 130 - 150

*Erpice Rotante*  
*Rotary Harrow*  
*Herse Rotative*

## TELAIO - FRAME - CHASSIS



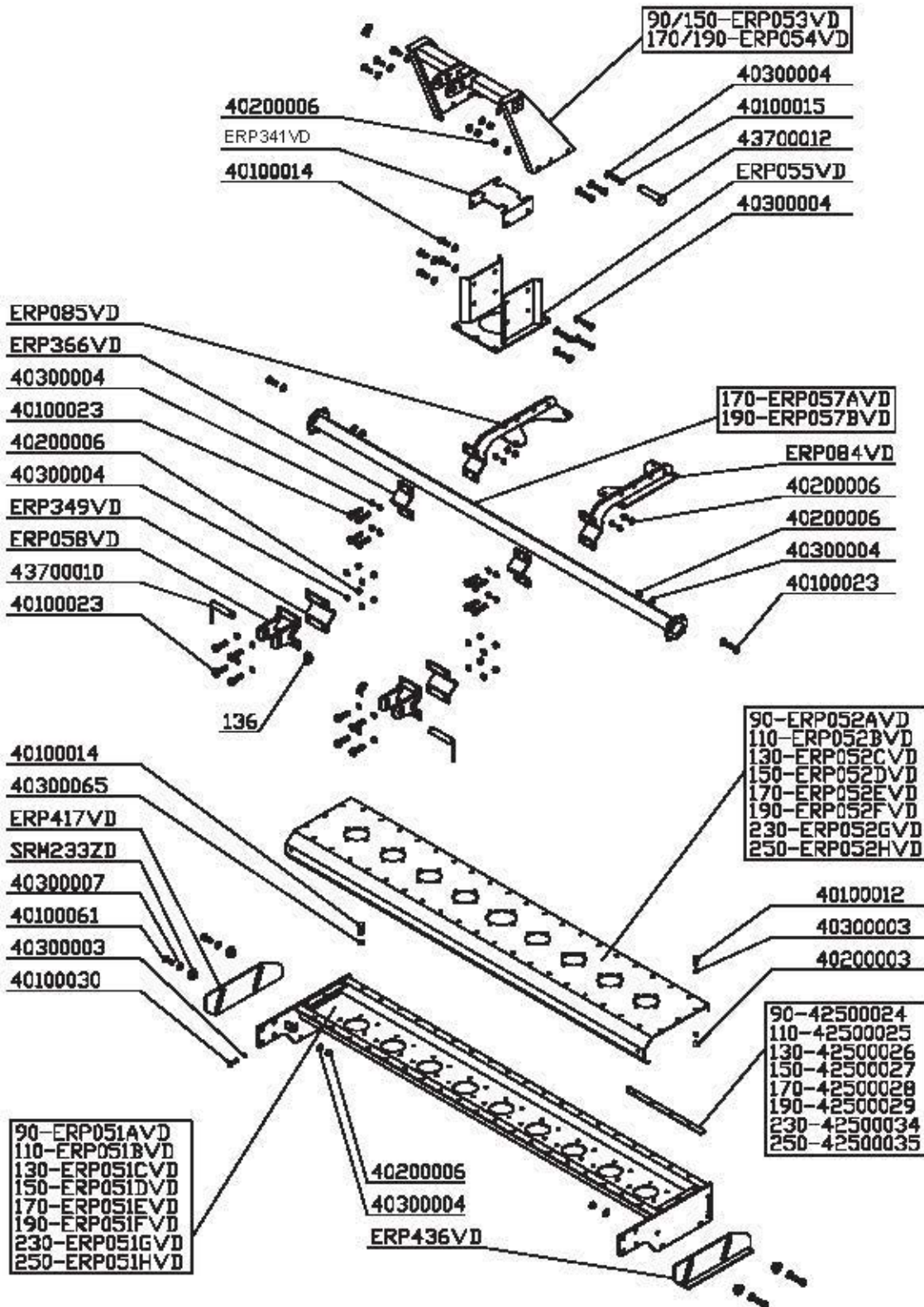


# ROTEX H

170 - 190 - 230 - 250

*Erpice Rotante*  
*Rotary Harrow*  
*Herse Rotative*

## TELAIO - FRAME-CHASSIS (ROTEX 170 - 190)





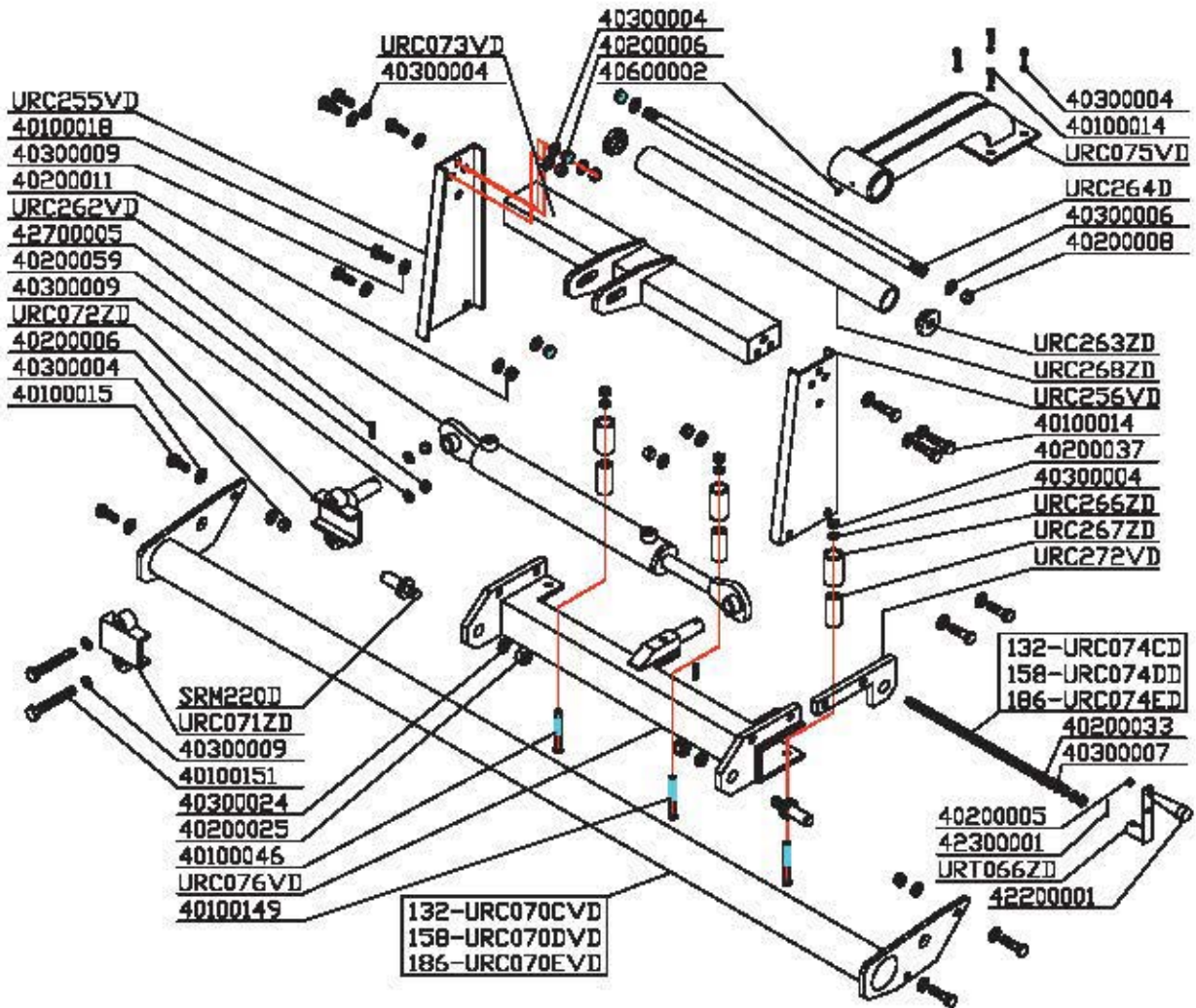


# FLIPPER

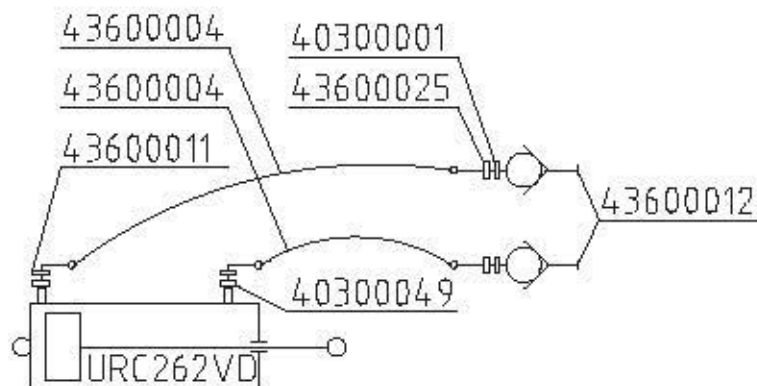
80 - 106 - 132 - 158 - 186 - 214

Trinciatrice Reversibile  
 Reversible Flail Mower  
 Broyeur Reversible

## SPOSTAMENTO IDRAULICO E MECCANICO HYDRAULIC AND MECHANICAL SHIFTING - DEPORT HYDRAULIQUE ET MECANIQUE (FLIPPER 80 - 106 - 132 - 158 - 186)



## IMPIANTO IDRAULICO - HYDRAULIC PLANT - CIRCUIT HYDRAULIQUE



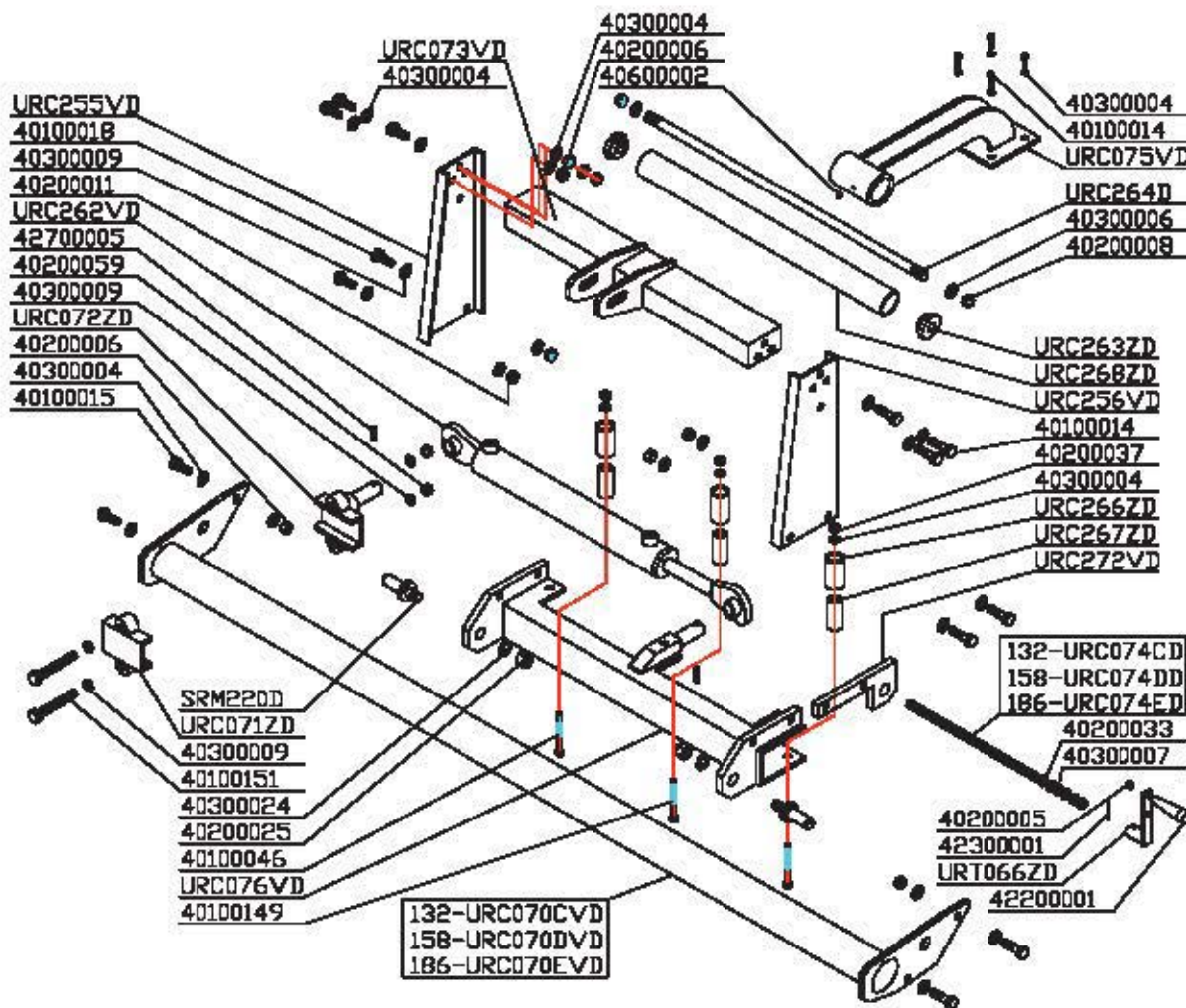


# FARM

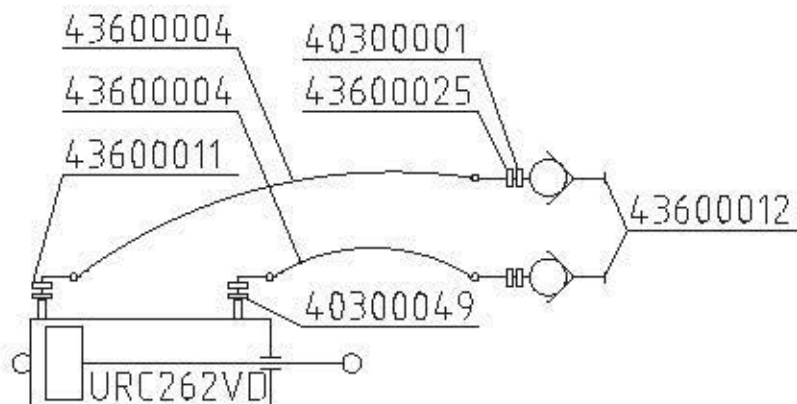
132 - 158 - 186 - 214

Trinciatrice Reversibile  
 Reversible Flail Mower  
 Broyeur Reversible

## SPOSTAMENTO IDRAULICO E MECCANICO - HYDRAULIC AND MECHANICAL SHIFTING DEPORT HYDRAULIQUE ET MECANIQUE (FARM 132 - 158 - 186)



## IMPIANTO IDRAULICO - HYDRAULIC PLANT - CIRCUIT HYDRAULIQUE





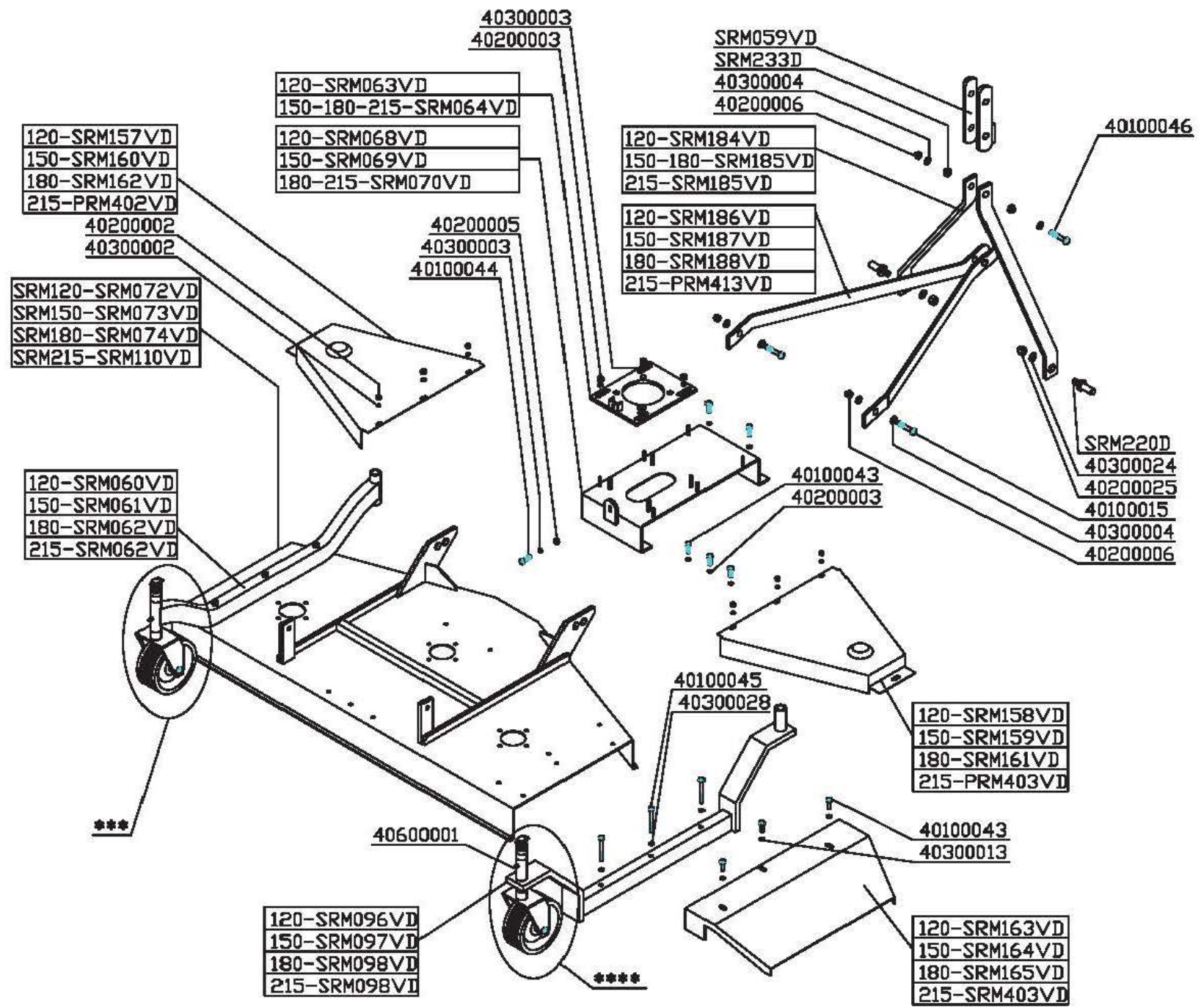
# SRM - FM

120 - 150 - 180 - 215

TELAIO - FRAME - CHASSIS

Tagliarba di finitura  
Finishing Mower  
Tondeuse de finition

101



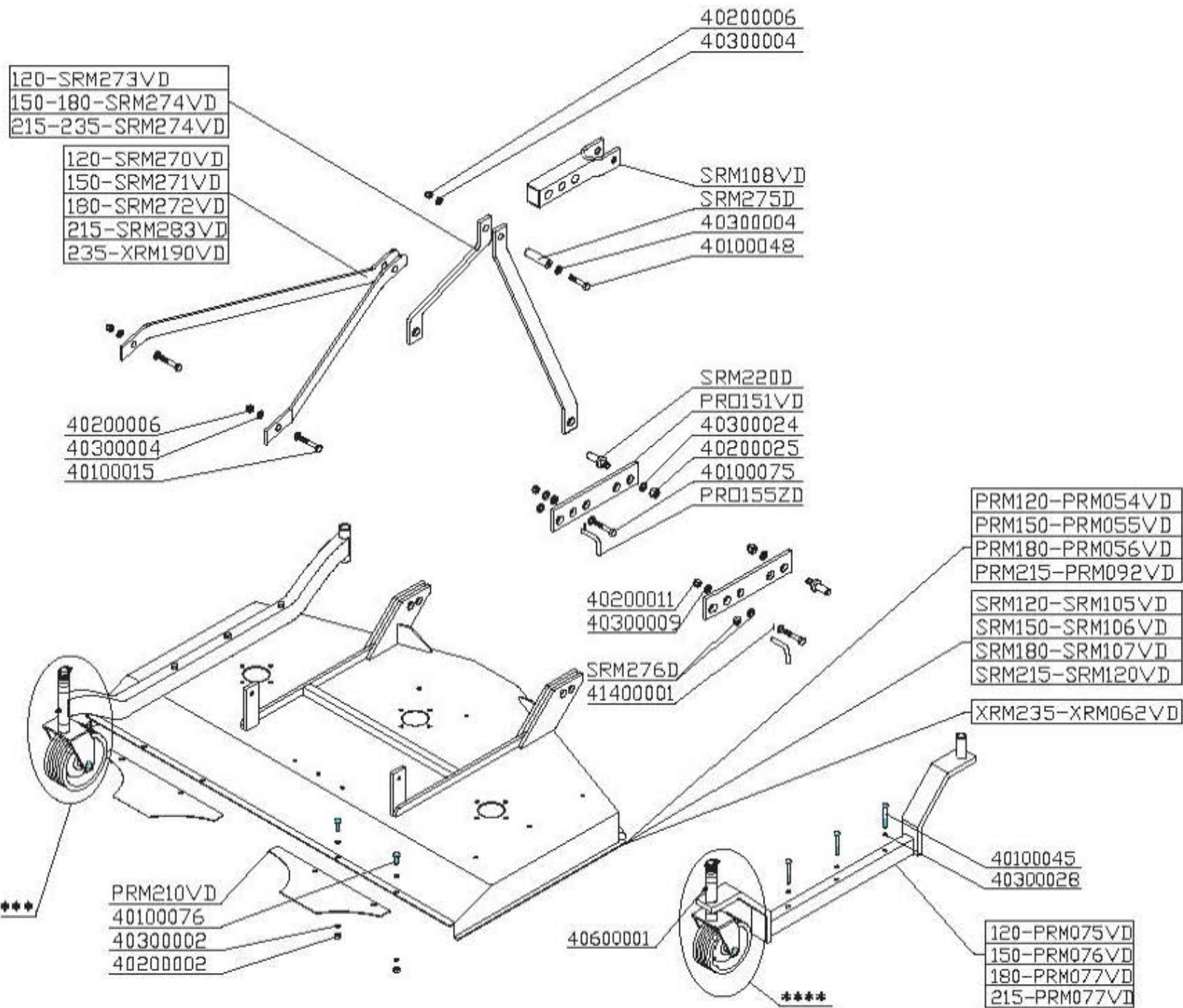


# PRM - FMRD

120 - 150 - 180 - 215

TELAIO USA - USA FRAME - CHASSIS USA

Tagliarba di finitura  
Finishing Mower  
Tondeuse de finition

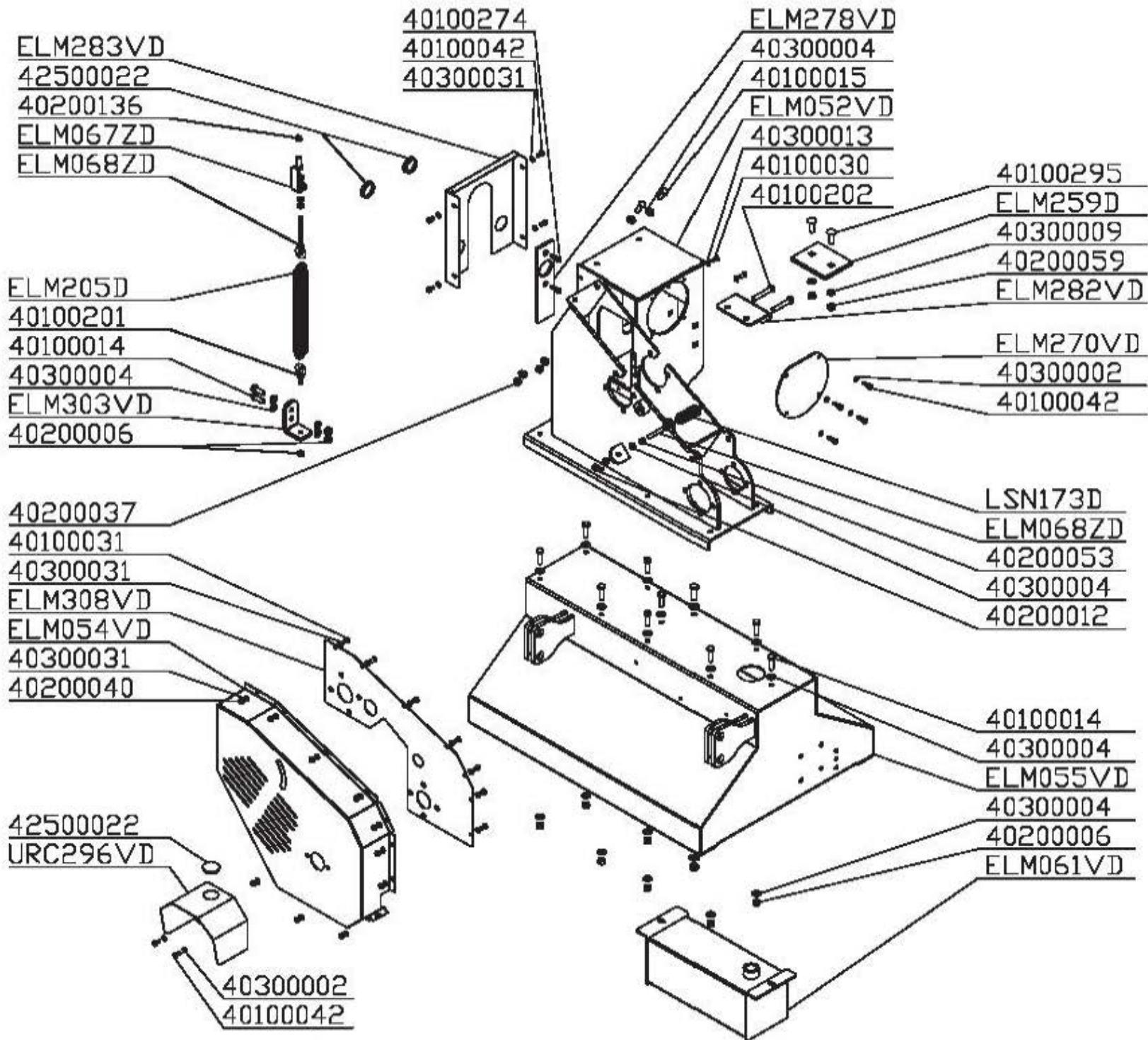




# SCORPION

Biotrituratore  
Shredder  
Broyeur à Vegetaux

TELAIO - FRAME - CHASSIS

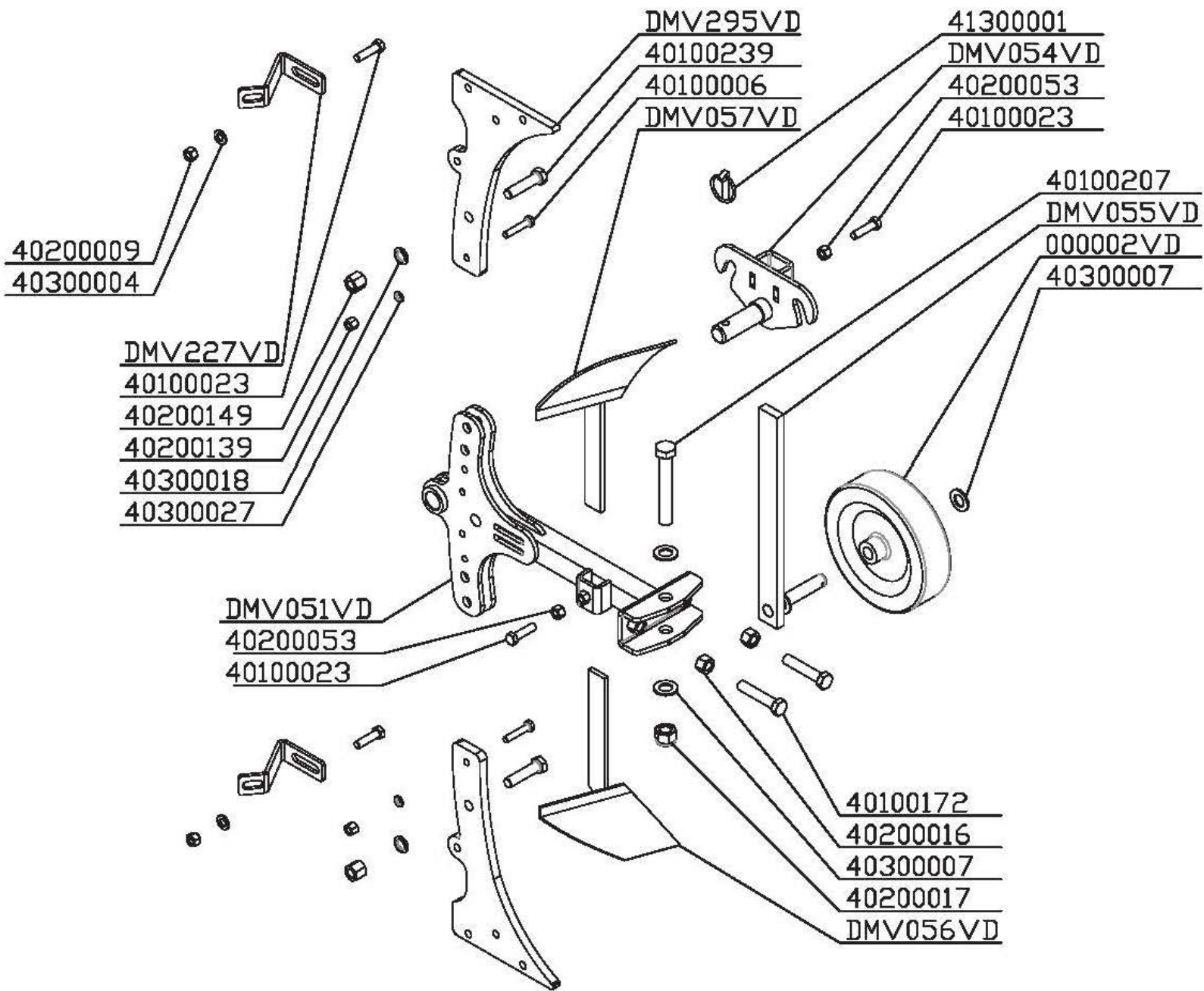




# RM 8

Aratro Reversibile  
Reversible Plough  
Brabant Reversible

TELAIO - FRAME - CHASSIS

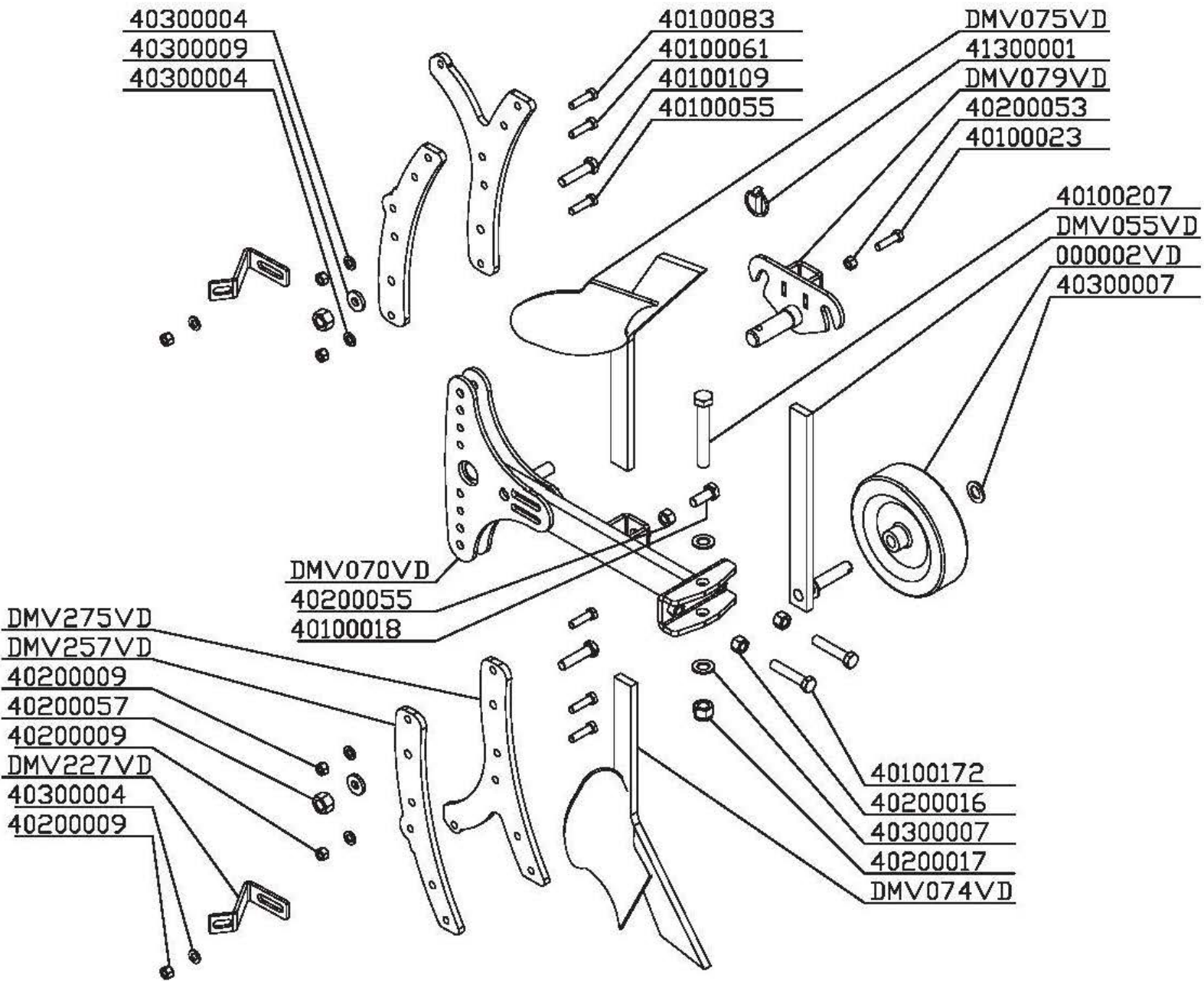




# RM 10 - 12

Aratro Reversibile  
Reversible Plough  
Brabant Reversible

## TELAIO - FRAME - CHASSIS





# ENERGIA

TELAIO - FRAME - CHASSIS

Aretto Reversibile  
Reversible Plough  
Charrue Reversible

