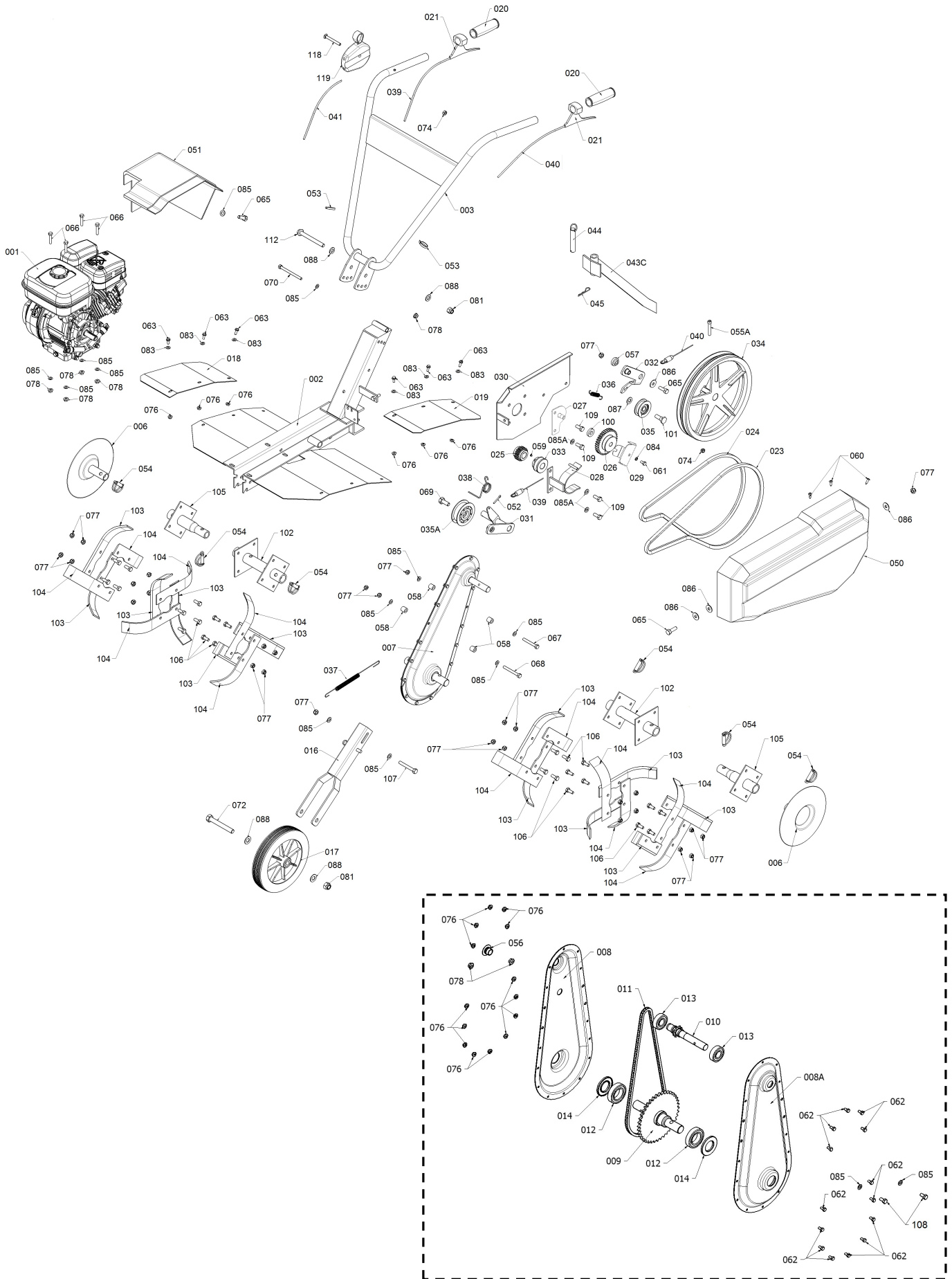


Motobineuse MRH 606 B



Engine Type	Briggs&Stratton Serie 950 Engine (Air Cooled, 4 Cycle Type, Single Cylinder, OHV)
Nominal Speed	3600 rpm
Total Displacement	163 cc
Fuel	Unleaded Gasoline
Fuel Tank Capacity	3,2 L
Ignition System	Electronic Ignition
Starting System	Recoil Starter
Speed	1 Forward Speed 1 Rear Speed
Clutch	By Tension of the Belt
Transmission	By Chain
Standard Rotor Width	900 mm
Type of Rotors	STD
Number of Rotors	6
Protection Disks	Yes
Weight	60 Kg

• **ASSEMBLER DRAWING**



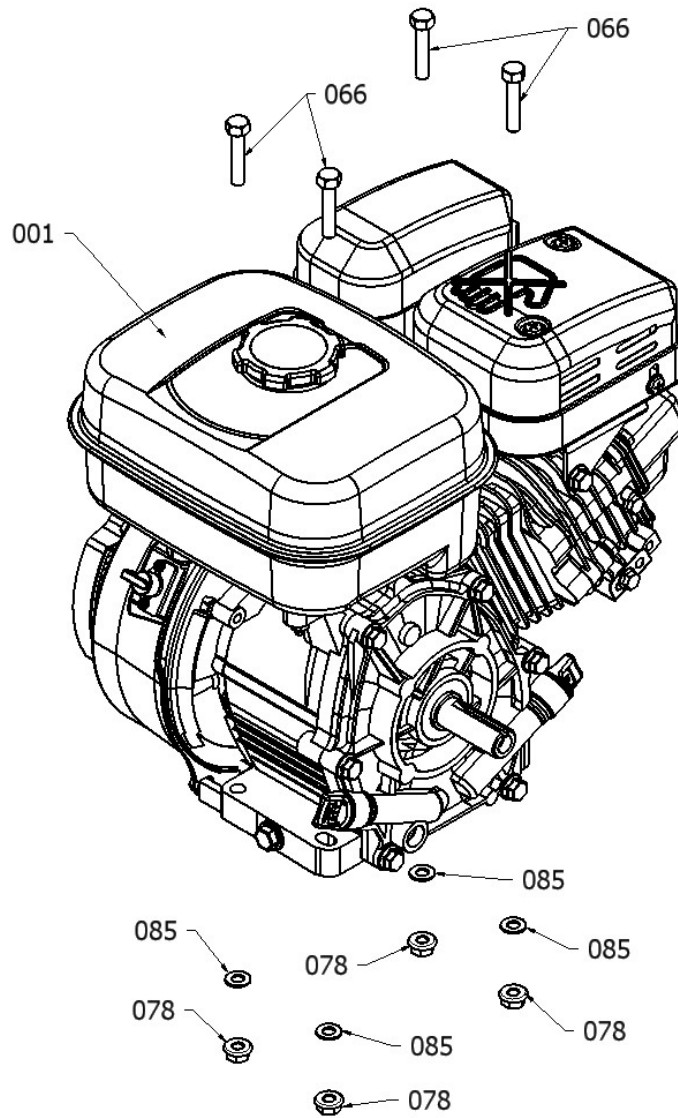
• **PART LIST COMPLETE**

N.	Reference	Description	Qty.
001	055BSH1CC7001	Briggs&Stratton Serie 950 Engine	1
002	01854 0000 6009	Main Frame S50 ECO	1
003	01803 0000 0360	Handlebar S50 ECO	1
004	50000 0000 D320	Rotors Complete STD_D (6 Rotors + 2 Protection Disks)	1
005	50000 0000 A320	Kit Side Rotors STD_D (pair)	1
006	50000 000D P320	Kit Protection Disks STD_D (pair)	1
007	01854 0000 8010	Transmission Box S50	1
008	01854 0000 5300	Transmission Box Sheet w/ hole S50	1
008A	01854 0000 5400	Transmission Box Sheet S50	1
009	01854 0000 6040	Rack Axle (2 holes) S50	1
010	01854 0000 5010	Sprocket Axle S50	1
011	01854 0000 5200	Chain S50	1
012	01854 0000 5800	Bearing Axle Gear S50	2
013	01854 0000 5700	Bearing Sprocket S50	2
014	01854 0000 5600	Transmission Box Seal	2
016	01854 0000 6050	Frontal Fork S50	1
017	01854 0000 0600	Frontal Wheel S50	1
018	01854 0000 6060	Rotor Right Cover S50	1
019	01854 0000 6070	Rotor Left Cover S50	1
020	01854 0000 1000	Rubber Grip ECO S50	2
021	01854 0000 9590	Clutch Lever S50	2
023	01854 0000 6091	Forward Drive Belt S50	1
024	01804 0000 1320	Reverse Drive Belt S50	1
025	01854 0000 7440	Gear 18 Teeth S50	1
026	01854 0000 7450	Gear 36 Teeth w/ Bearing S50	1
027	01854 0000 7460	Support of Gear 36 Teeth S50	1
028	01854 0000 6141	Forward Belt Guide S50	1
029	01854 0000 7470	Reverse Belt Guide S50	1
030	01854 0000 6161	Interior Cover S50	1
031	01854 0000 6171	Forward Idler Arm S50	1
032	01854 0000 9840	Reverse Idler Arm S50	1
033	01854 0000 6190	Engine Drive Pulley S50	1
034	01854 0000 2010	Transmission Pulley S50	1
035	01854 0000 4200	Reverse Plastic Pulley S50 [Ø44]	1
035A	01854 0000 4410	Forward Plastic Pulley S50 [Ø60]	1
036	01854 0000 6201	Reverse Return Spring S50	1
037	01854 0000 6210	Fork Spring S50	1
038	01854 0000 4101	Forward Return Spring S50	1
039	01854 0000 6232	Forward Clutch Cable S50	1
040	01854 0000 6221	Reverse Clutch Cable S50	1
041	01854 0000 6242	Throttle Cable S50	1
043C	01854 0000 2750	Depth Fixe Skid S50	1
044	01854 0000 3100	Depth Axle S50	1
045	06100 0000 5002	Pin Stand	1

• **PART LIST COMPLETE (cont.)**

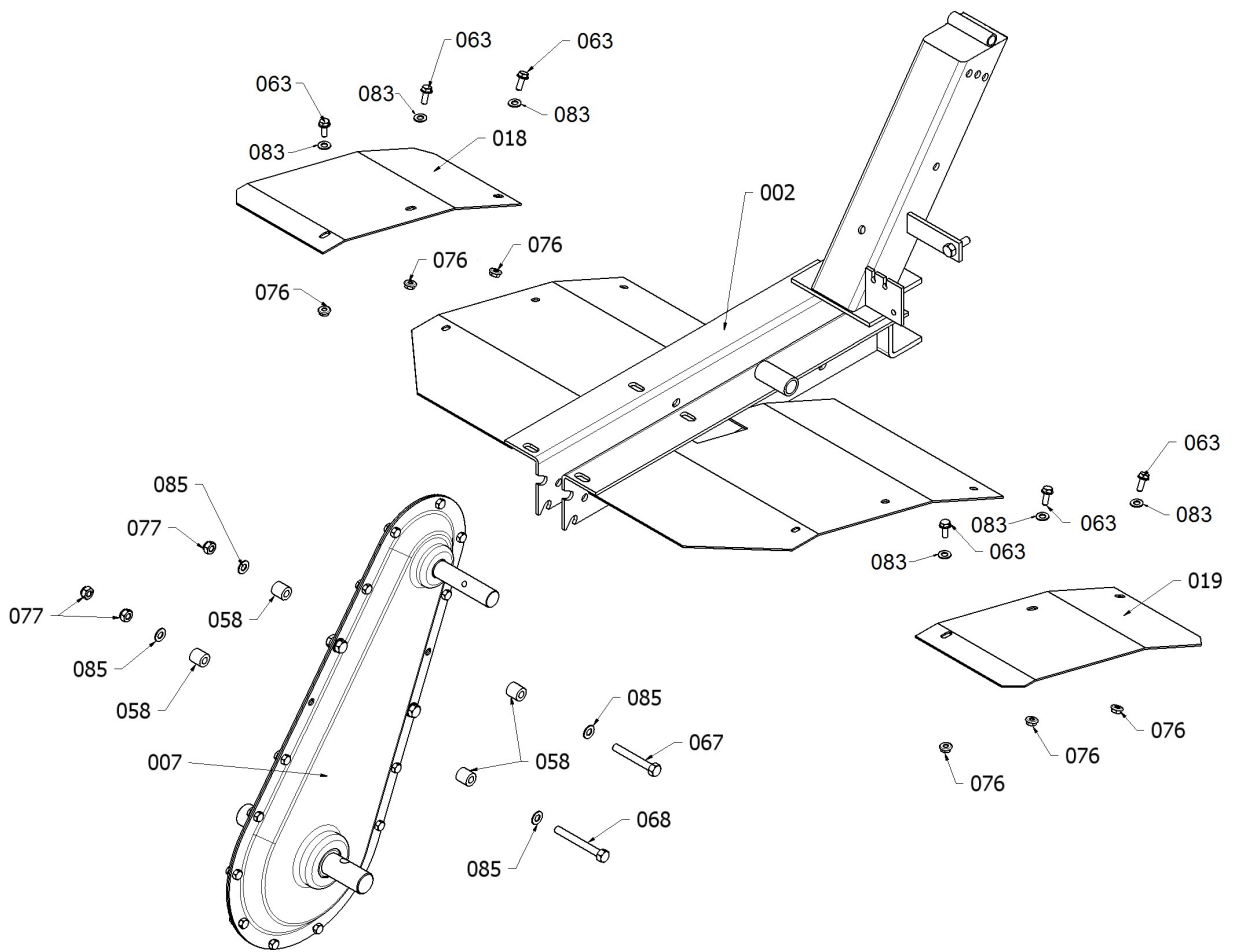
N.	Reference	Description	Qty.
050	01854 0004 800A	Side Plastic Cover S50	1
051	01854 0004 903A	Back Plastic Cover S50	1
052	06100 0000 6001	Split Pin	1
053	06100 0000 7002	Black Plastic Band	2
054	06100 0000 5006	Pin Rotors S50	6
055A	06100 0000 2056	Bolt (Transmission Pulley)	1
056	01854 0000 5900	Rubber Rivet	1
057	01854 0000 6321	Reverse Idler Arm Spacer S50	1
058	01854 0000 6330	Transmission Box Spacer	4
059	06100 0000 4001	Bolt BTR Zn	1
060	06100 0000 2084	Cover Screw	4
061	06100 0000 2027	Bolt H Zn (Reverse Belt Guide)	1
062	06100 0000 2021	Bolt H Zn (Transmission Box)	14
063	06100 0000 2027	Bolt H RT Zn (Rotor Cover)	6
065	06100 0000 2052	Bolt H Zn	3
066	06100 0000 2042	Bolt H RT Zn	4
067	06100 0000 2043	Bolt H Zn (Transmission Box)	1
068	06100 0000 2044	Bolt H Zn (Transmission Box)	1
069	06100 0000 2030	Bolt H Zn (Forward Plastic Pulley S50)	1
070	06100 0000 2081	Bolt H Zn	1
072	06100 0000 2088	Bolt H RT Zn (Frontal Wheel)	1
074	06100 0000 3004	Nyloc Nut H Zn	2
076	06100 0000 3001	Flange Nut Zn	20
077	06100 0000 3006	Nyloc Nut H Zn	30
078	06100 0000 3002	Flange Nut Zn	7
081	06100 0000 3003	Nyloc Nut H Zn	2
083	06100 0000 1009	Washer Zn (Rotor Cover)	6
084	06100 0000 1012	Spring Lock Washer Zn	1
085	06100 0000 1004	Washer Zn	14
085A	06100 0000 1013	Spring Lock Washer Zn	3
086	06100 0000 1003	Large Washer Zn	4
087	06100 0000 1005	Washer Zn	1
088	06100 0000 1006	Washer Zn	4
100	01854 0000 3450	Gear 36 Teeth Spacer	1
101	01854 0000 6495	Bolt (Reverse Plastic Pulley S50)	1
102	01854 0000 8100	Main Rotor Shaft S50	2
103	50000 0FAT 0148	Right Curved Blade S50	12
104	50000 0FAT 0149	Left Curved Blade S50	12
105	01854 0000 8200	Secondary Rotor Shaft S50	2
106	06100 0000 2037	Bolt H Zn (Blade)	24
107	06100 0000 2038	Bolt H Zn (Frontal Fork)	1
108	06100 0000 2036	Bolt H Zn (Transmission Box)	2
109	06100 0000 2131	Bolt UNF Zn (Support of Gear 36 Teeth)	4
112	06100 0000 2031	Bolt H Zn	1
118	06100 0000 2028	Bolt	1
119	01804 0000 1600	Lever Throttle	1

• **ENGINE ASSEMBLY**



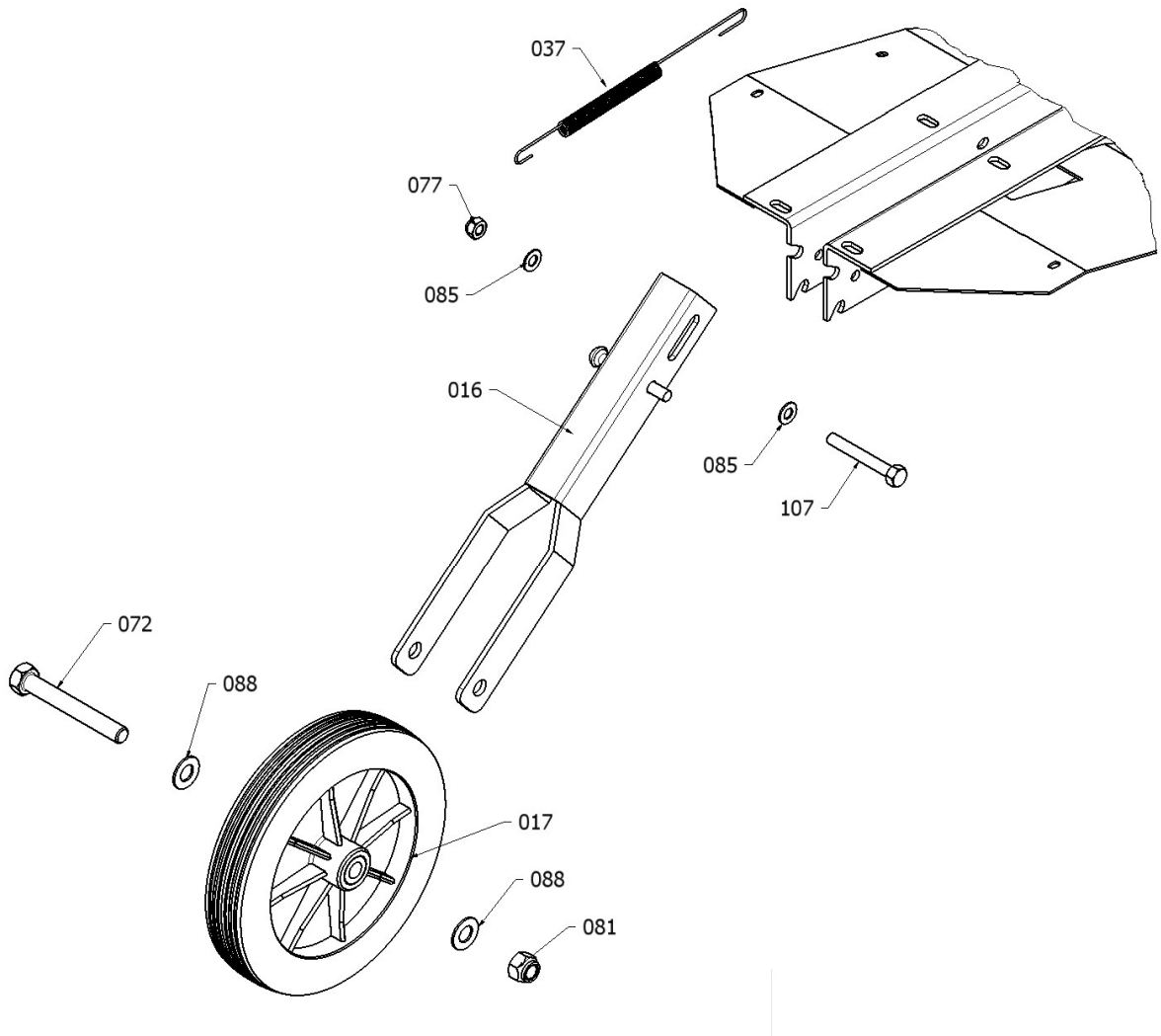
N.	Reference	Description	Qty.
001	055BSH1CC7001	Briggs&Stratton Serie 950 Engine	1
066	06100 0000 2042	Bolt H RT Zn	4
078	06100 0000 3002	Flange Nut Zn	4
085	06100 0000 1004	Washer Zn	4

• **MAIN FRAME ASSEMBLY**



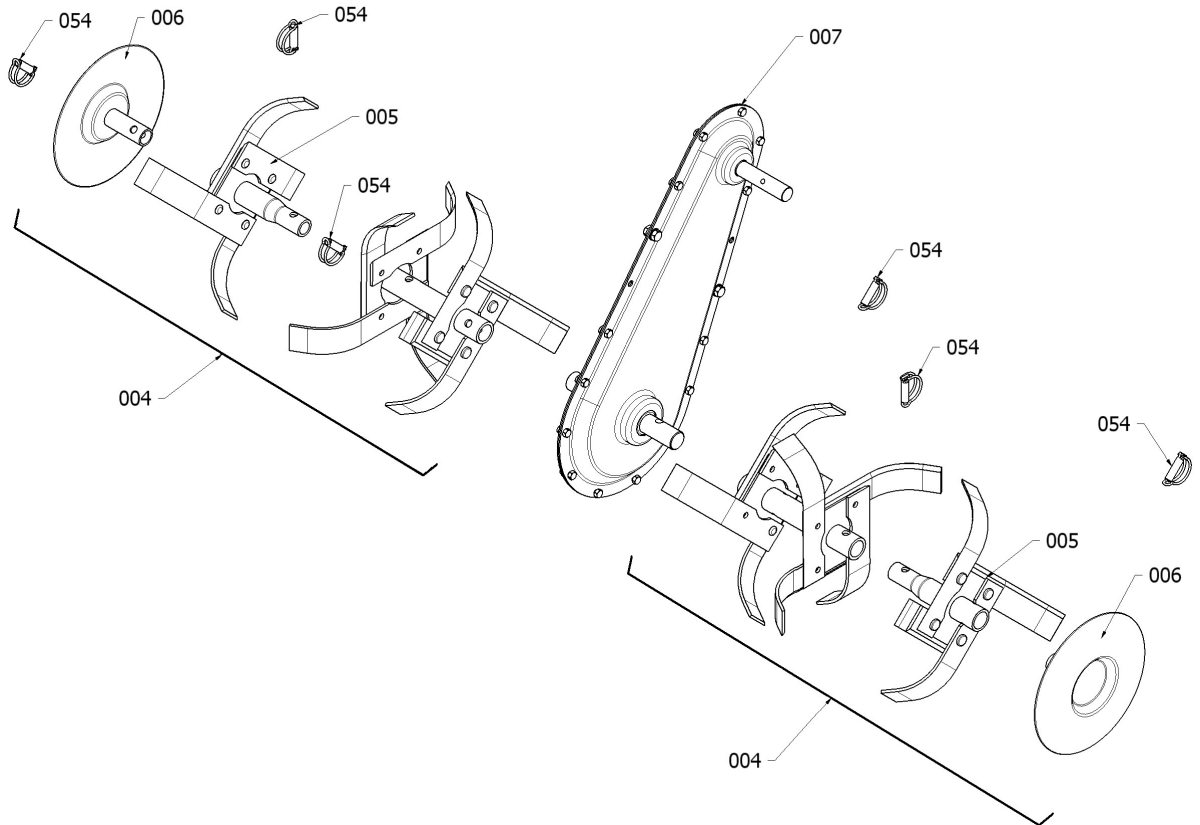
N.	Reference	Description	Qty.
002	01854 0000 6009	Main Frame S50 ECO	1
007	01854 0000 8010	Transmission Box S50	1
018	01854 0000 6060	Rotor Right Cover S50	1
019	01854 0000 6070	Rotor Left Cover S50	1
058	01854 0000 6330	Transmission Box Spacer	4
063	06100 0000 2027	Bolt H RT Zn (Rotor Cover)	6
067	06100 0000 2043	Bolt H Zn (Transmission Box)	1
068	06100 0000 2044	Bolt H Zn (Transmission Box)	1
076	06100 0000 3001	Flange Nut Zn (Rotor Cover)	6
077	06100 0000 3006	Nyloc Nut H Zn	3
083	06100 0000 1009	Washer Zn (Rotor Cover)	6
085	06100 0000 1004	Washer Zn	4

• **FRONTAL WHEEL ASSEMBLY**



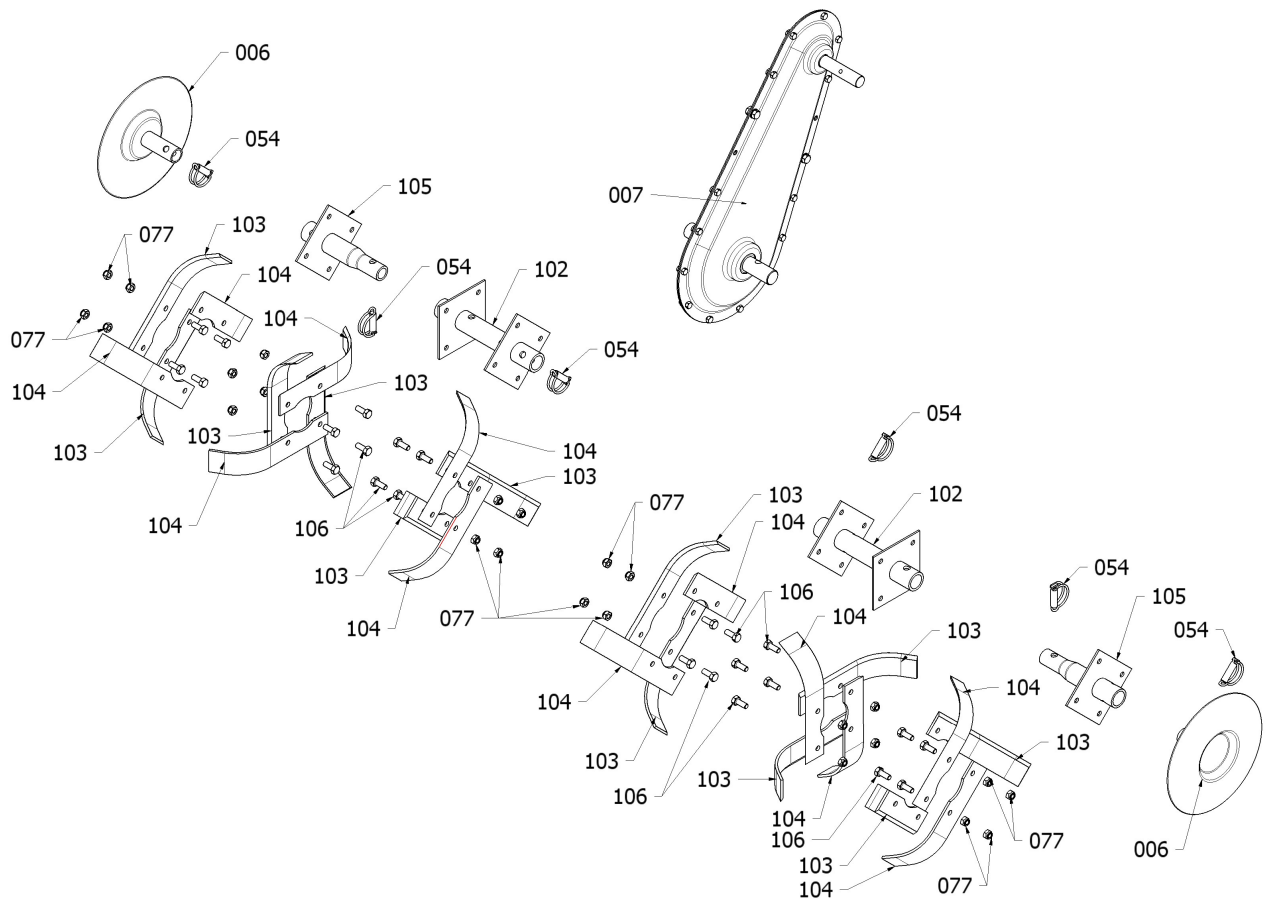
N.	Reference	Description	Qty.
016	01854 0000 6050	Frontal Fork S50	1
017	01854 0000 0600	Frontal Wheel S50	1
037	01854 0000 6210	Fork Spring S50	1
072	06100 0000 2088	Bolt H RT Zn (Frontal Wheel)	1
077	06100 0000 3006	Nyloc Nut H Zn	1
081	06100 0000 3003	Nyloc Nut H Zn	1
085	06100 0000 1004	Washer Zn	2
088	06100 0000 1006	Washer Zn	2
107	06100 0000 2038	Bolt H Zn (Frontal Fork)	1

• **ROTORS ASSEMBLY**



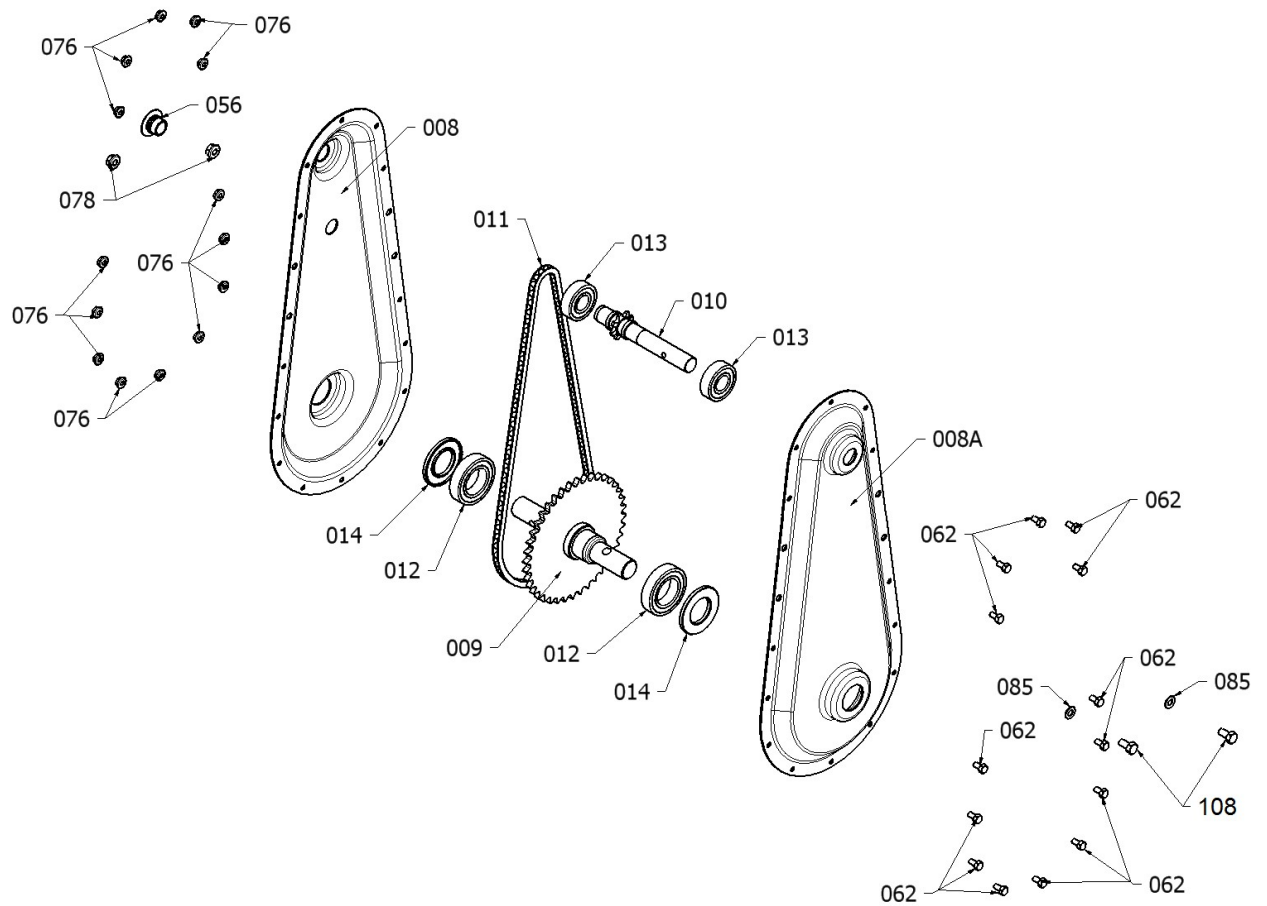
N.	Reference	Description	Qty.
004	50000 0000 D320	Rotors Complete STD_D (6 Rotors + 2 Protection Disks)	1
005	50000 0000 A320	Kit Side Rotors STD_D (pair)	1
006	50000 000D P320	Kit Protection Disks STD_D (pair)	1
007	01854 0000 8010	Transmission Box S50	1
054	06100 0000 5006	Pin Rotors S50	6

• **ROTORS ASSEMBLY (cont.)**



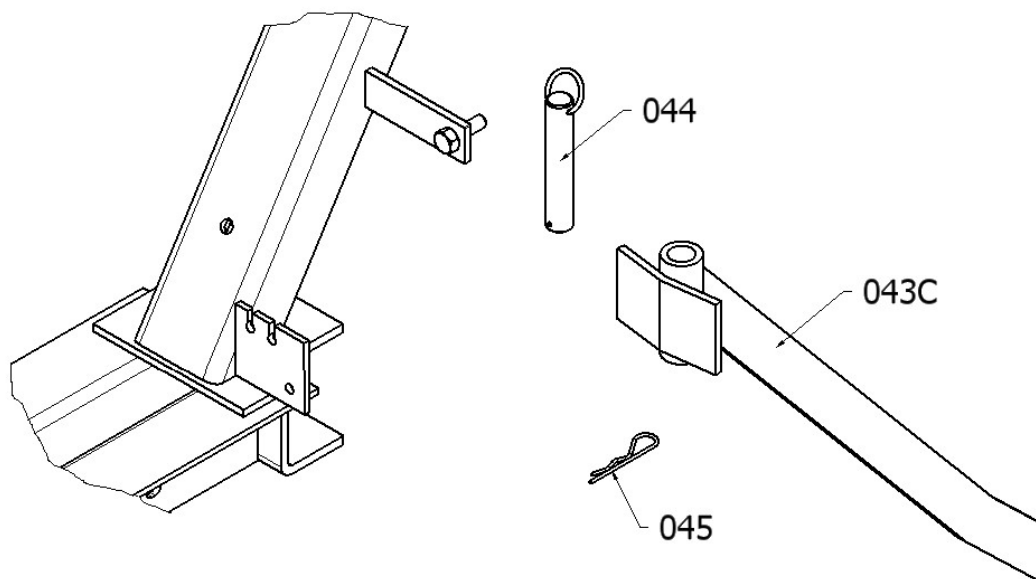
N.	Reference	Description	Qty.
006	50000 000D P320	Kit Protection Disks STD_D (pair)	1
007	01854 0000 8010	Transmission Box S50	1
054	06100 0000 5006	Pin Rotors S50	6
077	06100 0000 3006	Nyloc Nut H Zn	24
102	01854 0000 8100	Main Rotor Shaft S50	2
103	50000 0FAT 0148	Right Curved Blade S50	12
104	50000 0FAT 0149	Left Curved Blade S50	12
105	01854 0000 8200	Secondary Rotor Shaft S50	2
106	06100 0000 2037	Bolt H Zn (Blade)	24

• **TRANSMISSION BOX ASSEMBLY**



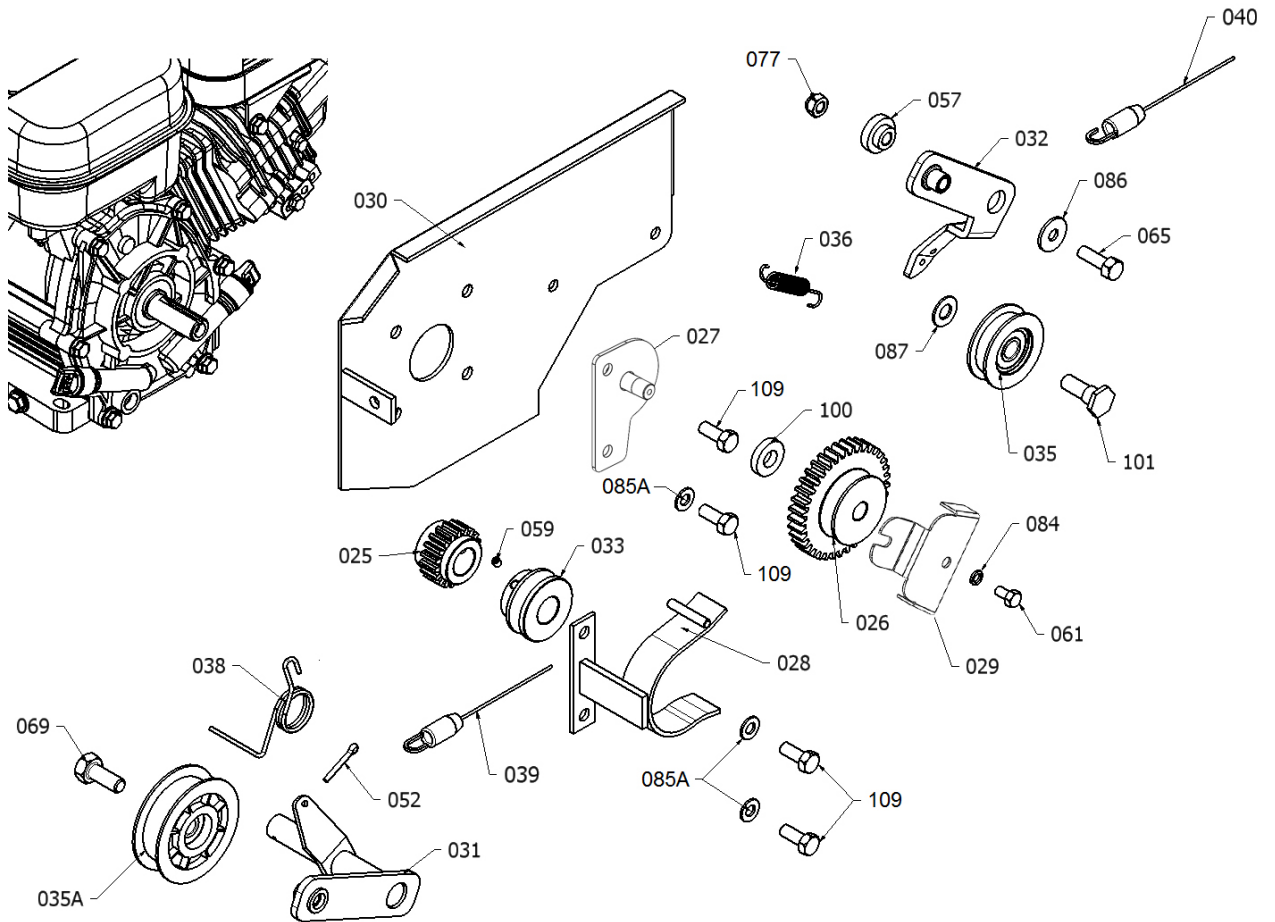
N.	Reference	Description	Qty.
008	01854 0000 5300	Transmission Box Sheet w/ hole S50	1
008A	01854 0000 5400	Transmission Box Sheet S50	1
009	01854 0000 6040	Rack Axle (2 holes) S50	1
010	01854 0000 5010	Sprocket Axle S50	1
011	01854 0000 5200	Chain S50	1
012	01854 0000 5800	Bearing Axle Gear S50	2
013	01854 0000 5700	Bearing Sprocket S50	2
014	01854 0000 5600	Transmission Box Seal	2
056	01854 0000 5900	Rubber Rivet	1
062	06100 0000 2021	Bolt H Zn (Transmission Box)	14
076	06100 0000 3001	Flange Nut Zn (Transmission Box)	14
078	06100 0000 3002	Flange Nut Zn (Transmission Box)	2
085	06100 0000 1004	Washer Zn	2
108	06100 0000 2036	Bolt H Zn (Transmission Box)	2

• **DEPTH SKID ASSEMBLY**



N.	Reference	Description	Qty.
043C	01854 0000 2750	Depth Fixe Skid S50	1
044	01854 0000 3100	Depth Axle S50	1
045	06100 0000 5002	Pin Stand	1

• **TRANSMISSION SYSTEM ASSEMBLY**

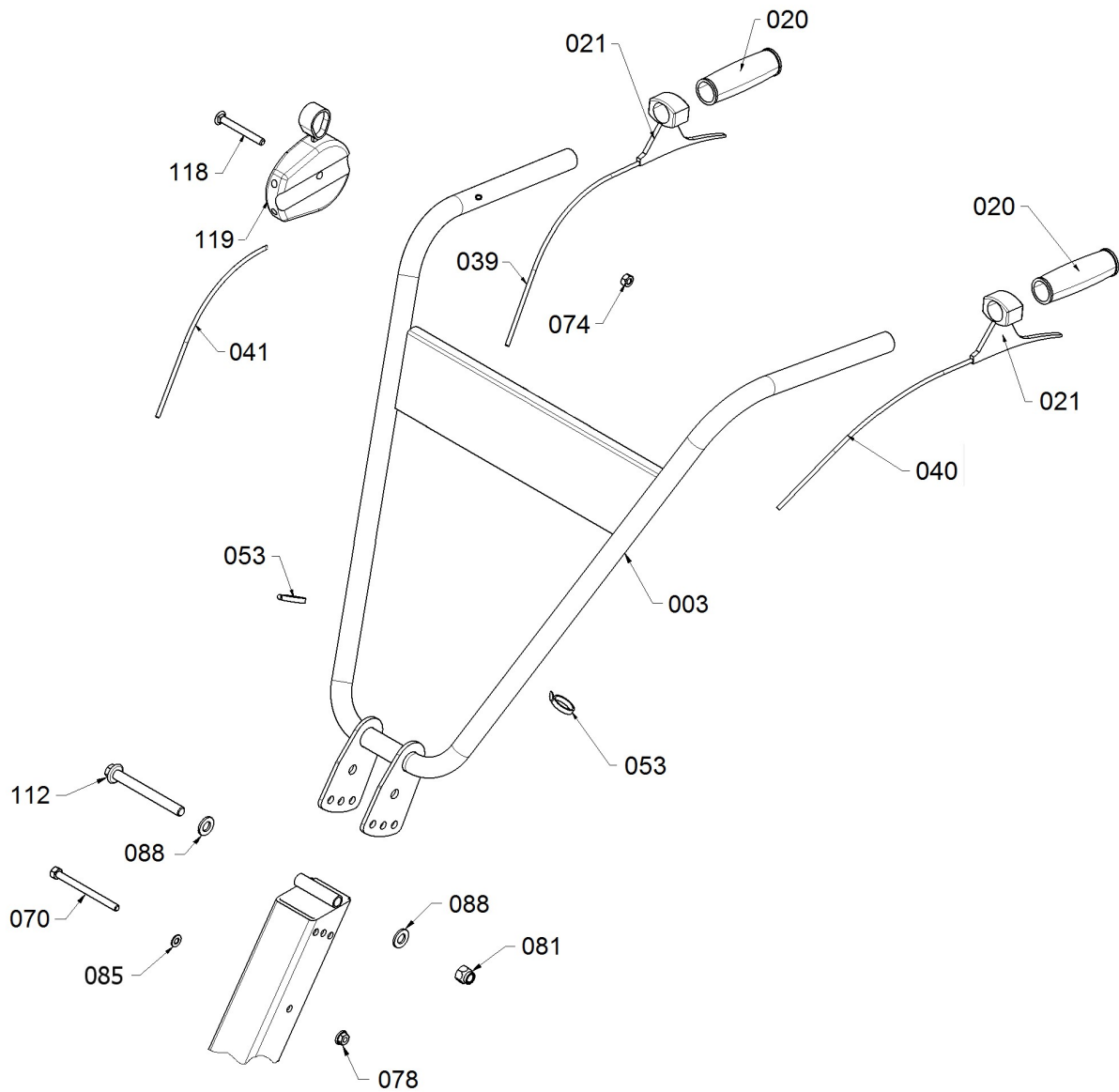


N.	Reference	Description	Qty.
025	01854 0000 7440	Gear 18 Teeth S50	1
026	01854 0000 7450	Gear 36 Teeth w/ Bearing S50	1
027	01854 0000 7460	Support of Gear 36 Teeth S50	1
028	01854 0000 6141	Forward Belt Guide S50	1
029	01854 0000 7470	Reverse Belt Guide S50	1
030	01854 0000 6161	Interior Cover S50	1
031	01854 0000 6171	Forward Idler Arm S50	1
032	01854 0000 9840	Reverse Idler Arm S50	1
033	01854 0000 6190	Engine Drive Pulley S50	1
035	01854 0000 4200	Reverse Plastic Pulley S50 [Ø44]	1
035A	01854 0000 4410	Forward Plastic Pulley S50 [Ø60]	1
036	01854 0000 6201	Reverse Return Spring S50	1
038	01854 0000 4101	Forward Return Spring S50	1
039	01854 0000 6232	Forward Clutch Cable S50	1
040	01854 0000 6221	Reverse Clutch Cable S50	1
052	06100 0000 6001	Split Pin	1
057	01854 0000 6321	Reverse Idler Arm Spacer S50	1
059	06100 0000 4001	Bolt BTR Zn	1

• **TRANSMISSION SYSTEM ASSEMBLY (cont.)**

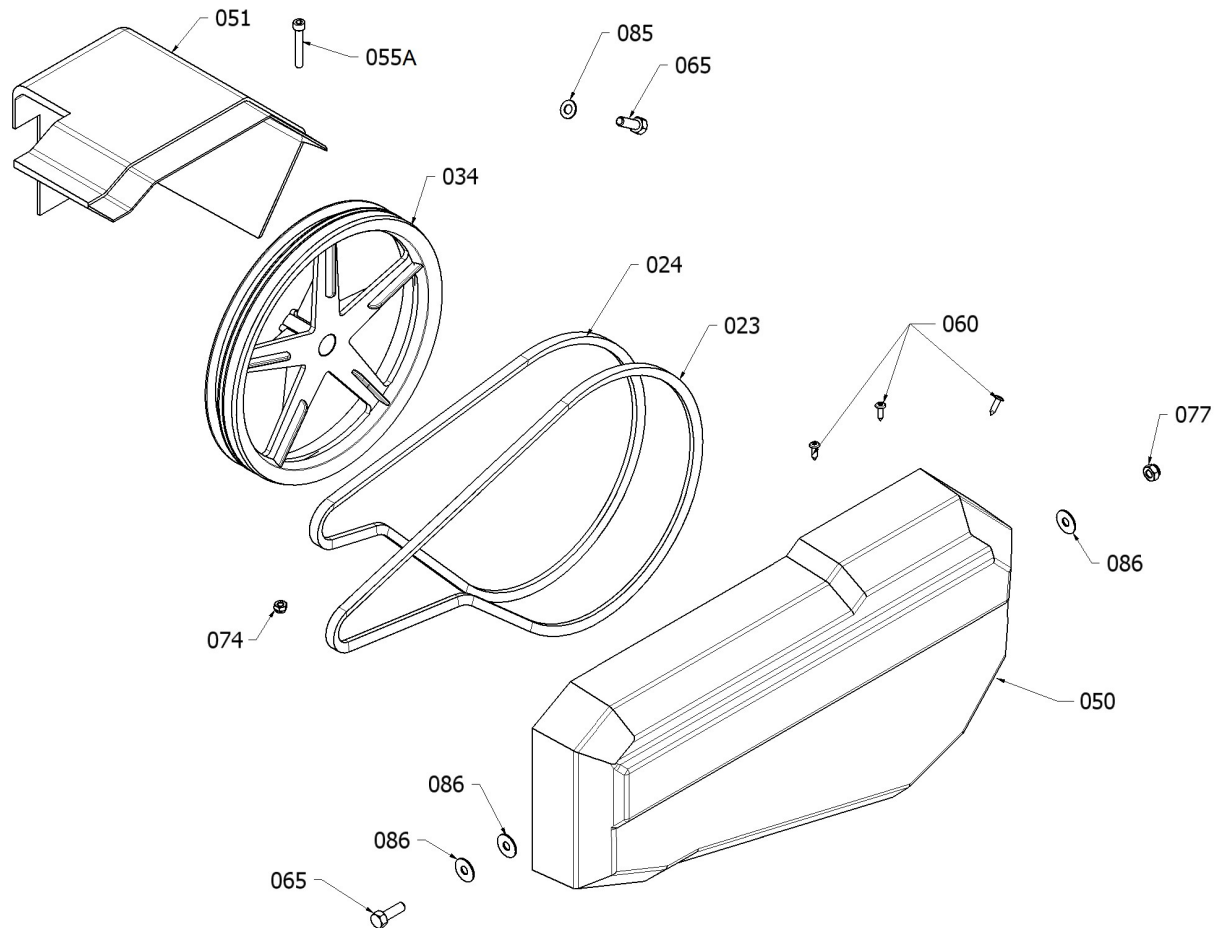
Item	Referência	Descrição	Quant.
061	06100 0000 2027	Bolt H Zn (Reverse Belt Guide)	1
065	06100 0000 2052	Bolt H Zn (Reverse Idler Arm)	1
069	06100 0000 2030	Bolt H Zn (Forward Plastic Pulley S50)	1
077	06100 0000 3006	Nyloc Nut H Zn	1
084	06100 0000 1012	Spring Lock Washer Zn	1
085A	06100 0000 1013	Spring Lock Washer Zn	3
086	06100 0000 1003	Large Washer Zn	1
087	06100 0000 1005	Washer Zn	1
100	01854 0000 3450	Gear 36 Teeth Spacer	1
101	01854 0000 6495	Bolt (Reverse Plastic Pulley S50)	1
109	06100 0000 2131	Bolt UNF Zn (Support of Gear 36 Teeth)	4

• **HANDLEBAR ASSEMBLY**



N.	Reference	Description	Qty.
003	01803 0000 0360	Handlebar S50 ECO	1
020	01854 0000 1000	Rubber Grip ECO S50	2
021	01854 0000 9590	Clutch Lever S50	2
039	01854 0000 6232	Forward Clutch Cable S50	1
040	01854 0000 6221	Reverse Clutch Cable S50	1
041	01854 0000 6242	Throttle Cable S50	1
053	06100 0000 7002	Black Plastic Band	2
070	06100 0000 2081	Bolt H Zn	1
074	06100 0000 3004	Nyloc Nut H Zn	1
078	06100 0000 3002	Flange Nut Zn	1
081	06100 0000 3003	Nyloc Nut H Zn	1
085	06100 0000 1004	Washer Zn	1
088	06100 0000 1006	Washer Zn	2
112	06100 0000 2031	Bolt H Zn	1
118	06100 0000 2028	Bolt	1
119	01804 0000 1600	Lever Throttle	1

• **BELT COVERS ASSEMBLY**



N.	Reference	Description	Qty.
023	01854 0000 6091	Forward Drive Belt S50	1
024	01804 0000 1320	Reverse Drive Belt S50	1
034	01854 0000 2010	Transmission Pulley S50	1
050	01854 0004 800A	Side Plastic Cover S50	1
051	01854 0004 903A	Back Plastic Cover S50	1
055A	06100 0000 2056	Bolt (Transmission Pulley)	1
060	06100 0000 2084	Cover Screw	4
065	06100 0000 2052	Bolt H Zn	2
074	06100 0000 3004	Nyloc Nut H Zn	1
077	06100 0000 3006	Nyloc Nut H Zn	1
085	06100 0000 1004	Washer Zn	1
086	06100 0000 1003	Large Washer Zn	3