

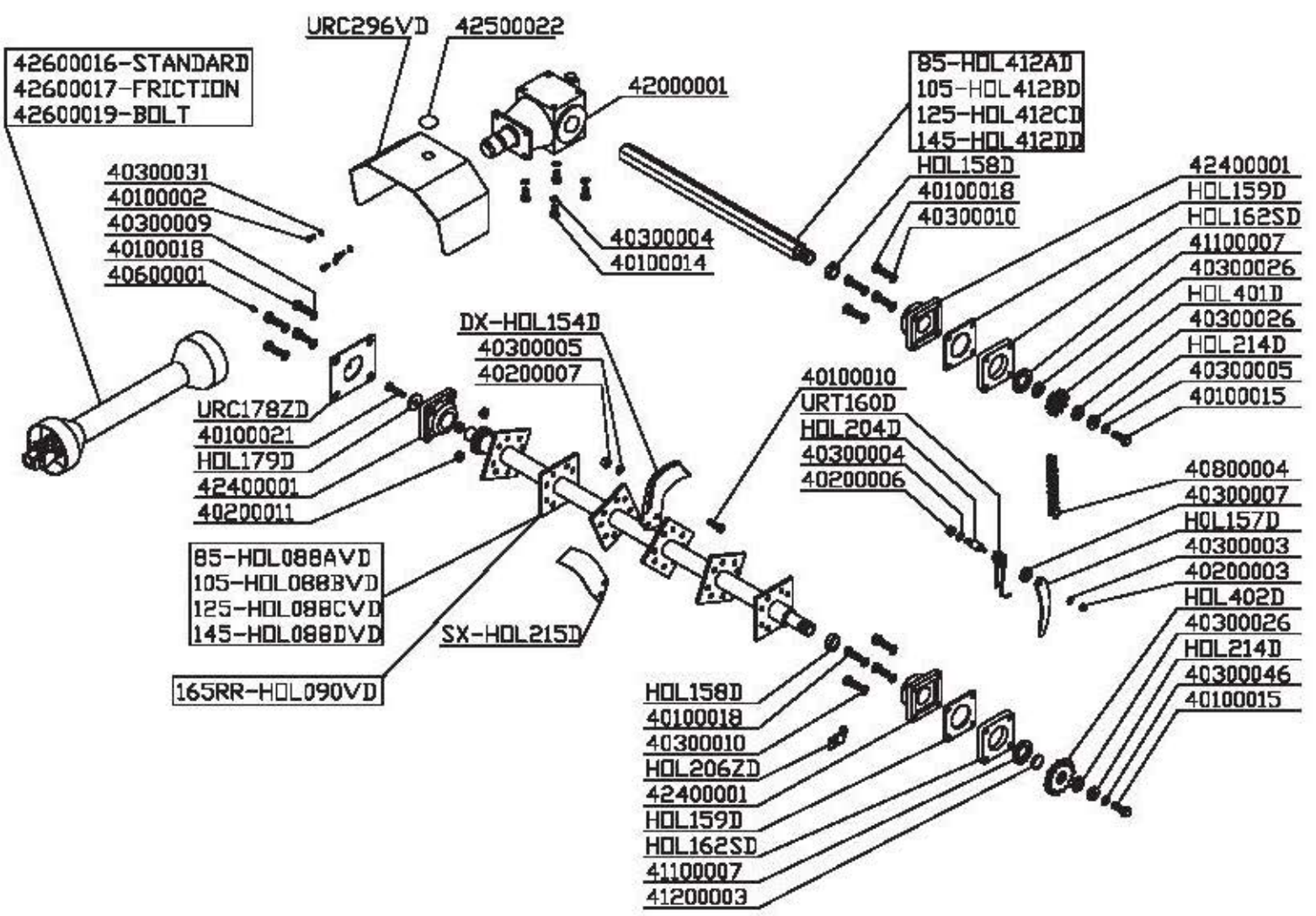


# THUNDER

85 - 105 - 125 - 145

TRASMISSIONE - DRIVE TRAIN COMPONENTS - TRANSMISSION

Zappatrace & Reverse  
 Rotary Tiller & Reverse  
 Frase & Reverse



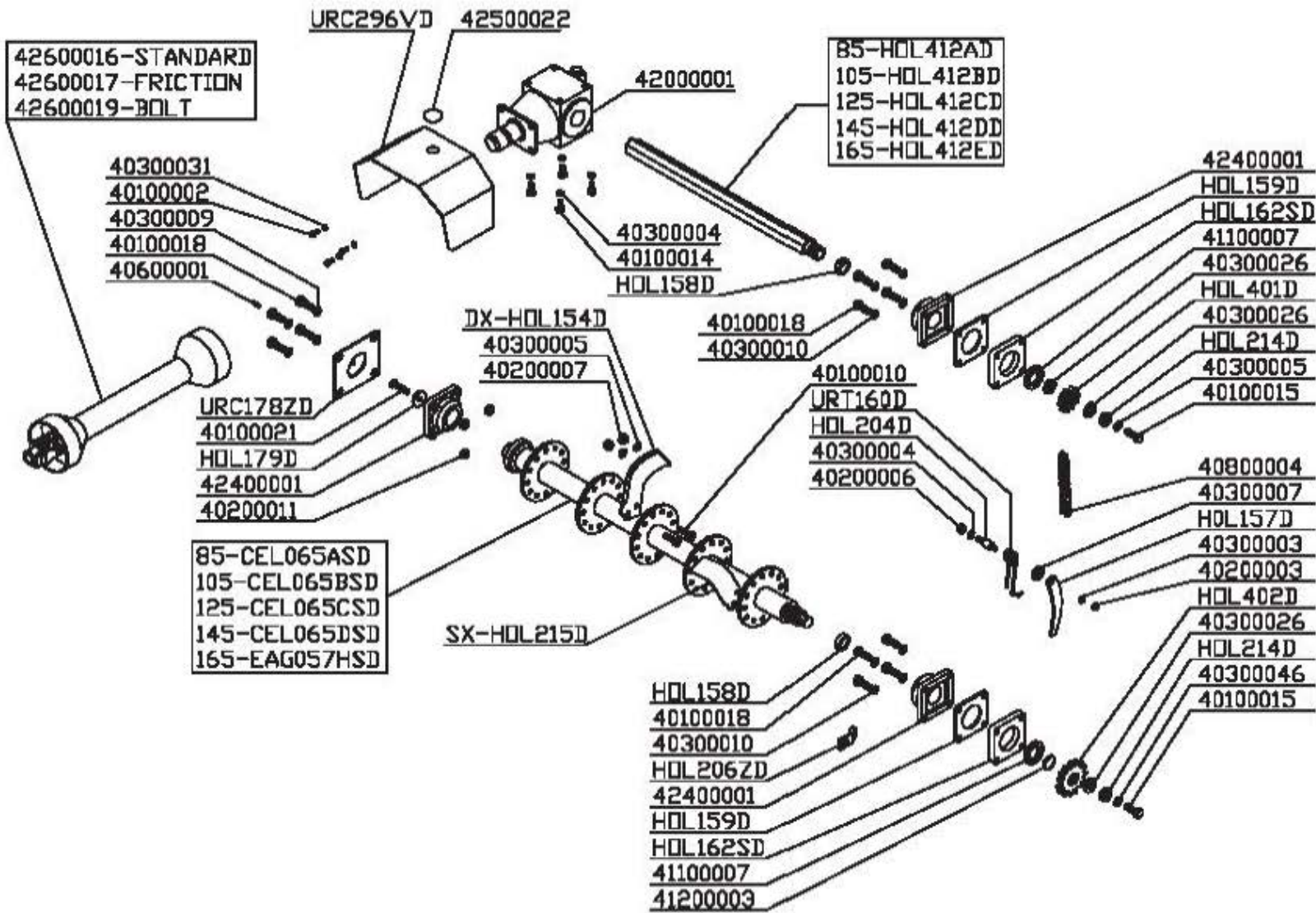


# EAGLE

85 - 105 - 125 - 145 - 165

Zappa rice Fissa  
Fixed Rotary Tiller  
Fraise Five

## TRASMISSIONE - DRIVE TRAIN COMPONENTS - TRANSMISSION



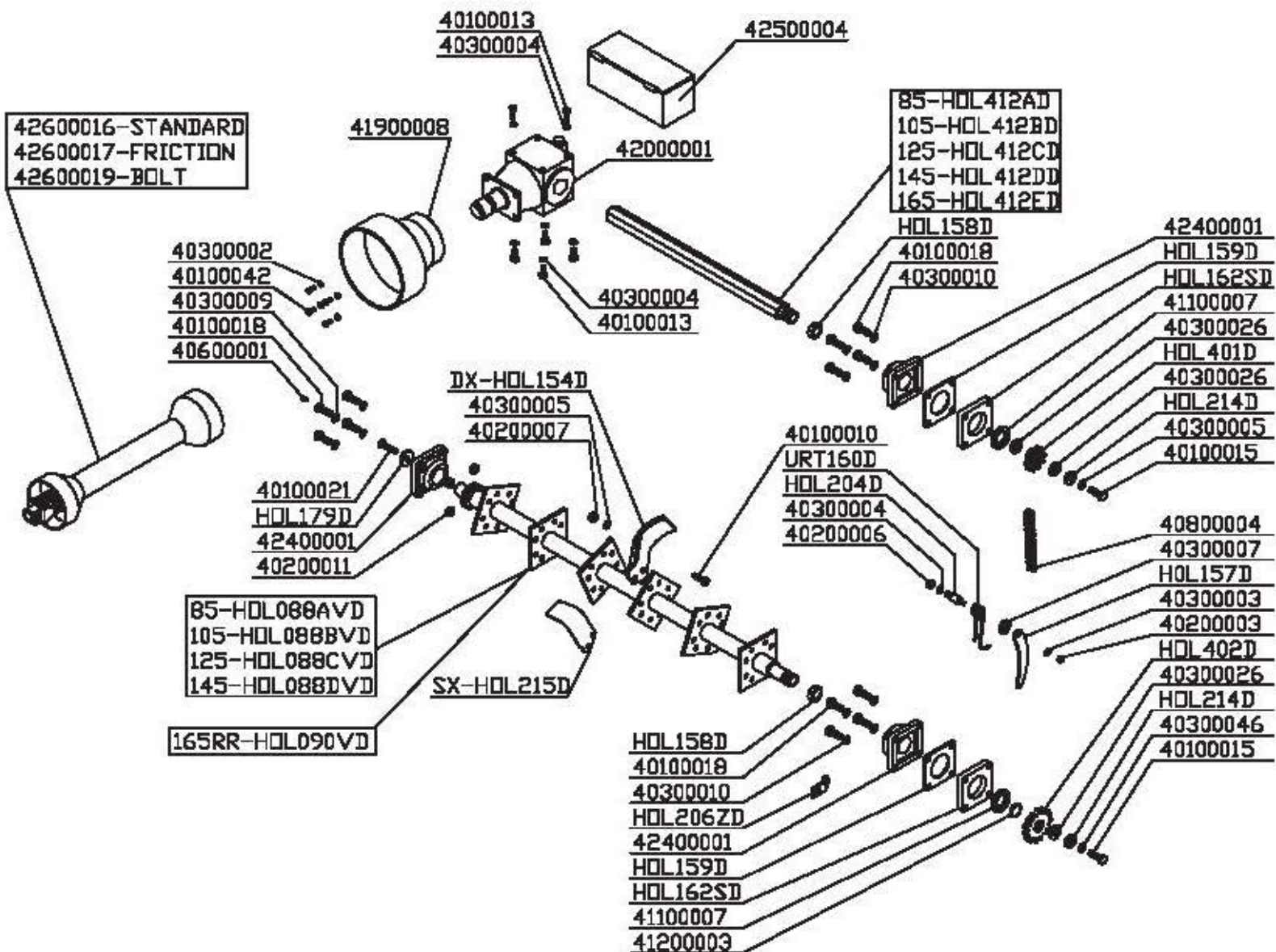


# HOLIDAY R

85 - 105 - 125 - 145

Zappatrice Spostabile  
Side Shift Rotary Tiller  
Fraise Déportable

## TRASMISSIONE - DRIVE TRAIN COMPONENTS - TRANSMISSION



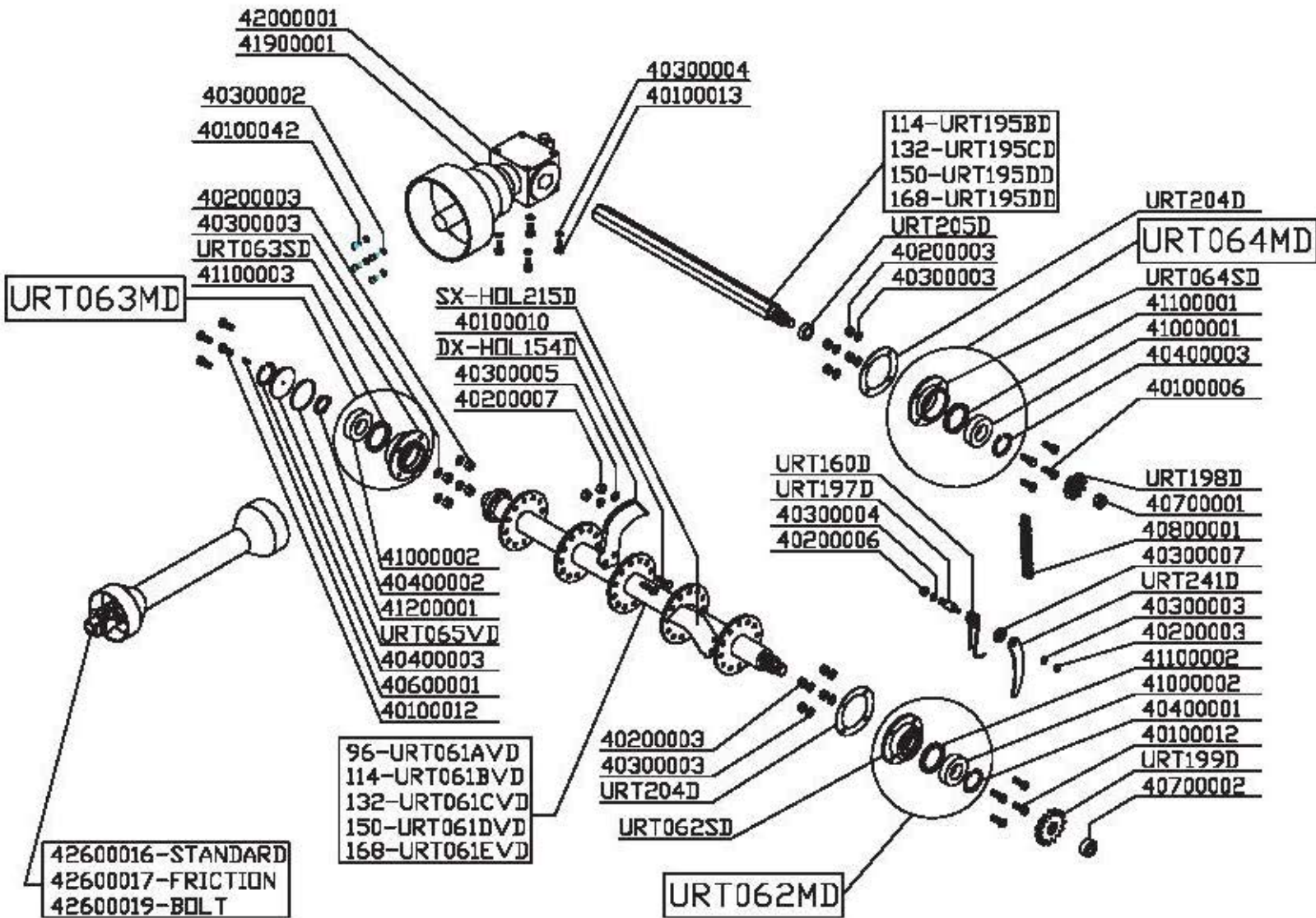


# URT ED

96 - 114 - 132 - 150 - 168

Zappatrice Spostabile  
Side Shift Rotary Tiller  
Fraise Déportable

TRASMISSIONE - DRIVE TRAIN COMPONENTS - TRANSMISSION

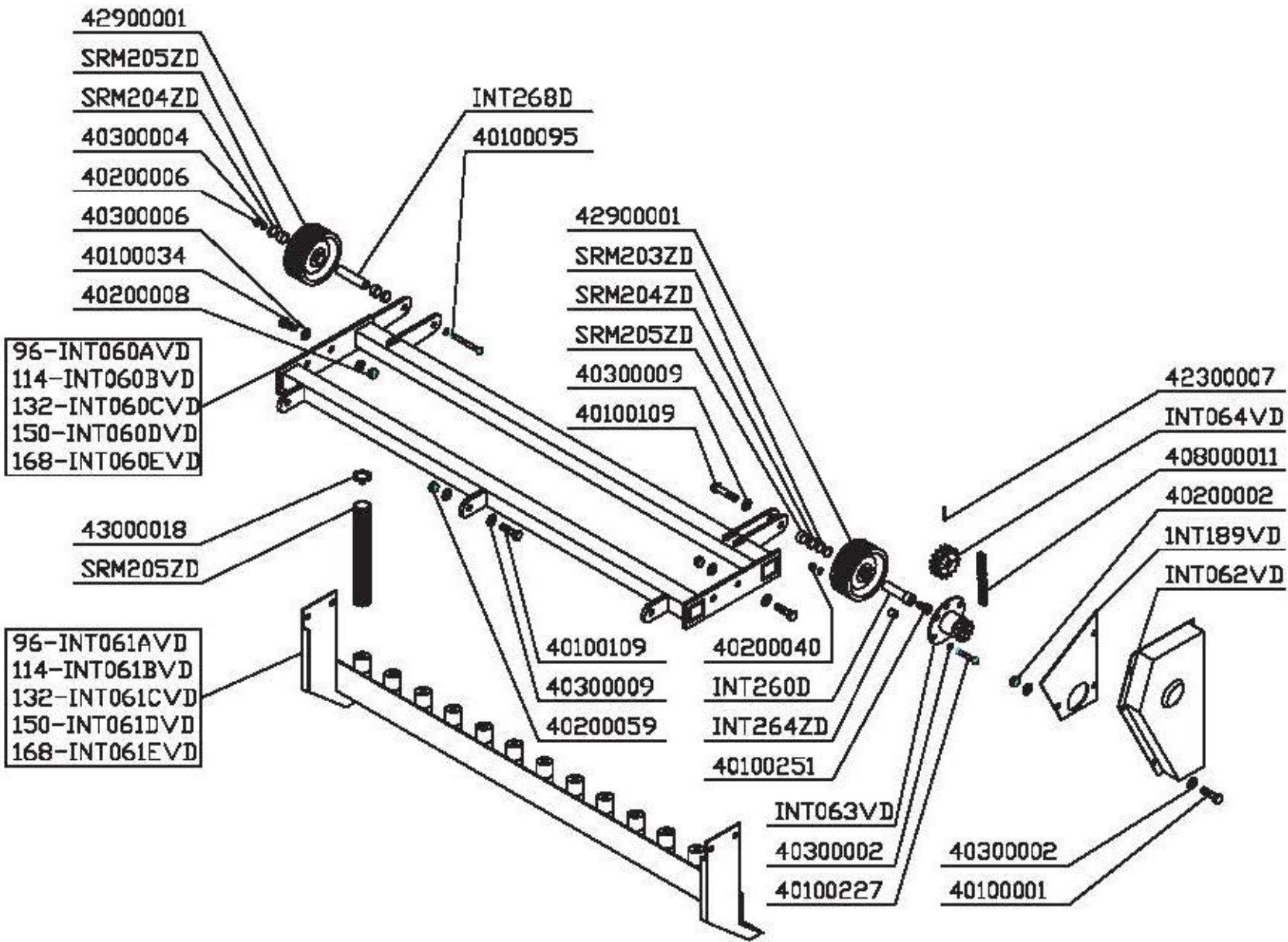




# YELLOWSTONE

96 - 114 - 132 - 150 - 168

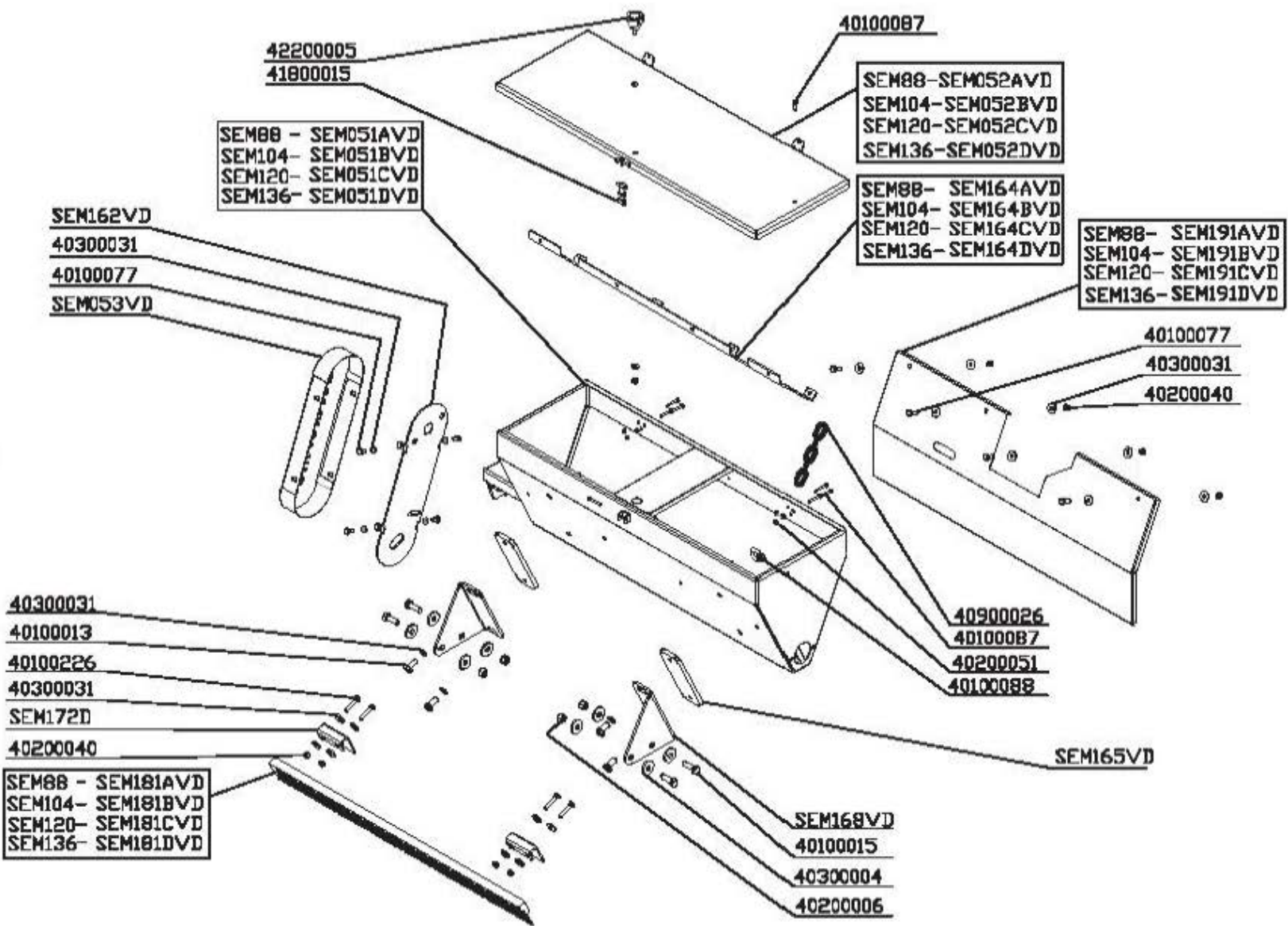
SUPPORTO SEMINATRICE - SEEDER SUPPORT - SUPPORT SEMOIR





# GRASS (YELLOWSTONE)

TELAIO - FRAME - CHASSIS  
(GRASS 90 - 100 - 120 - 140)



Seminatrice  
Seeder  
Semoir

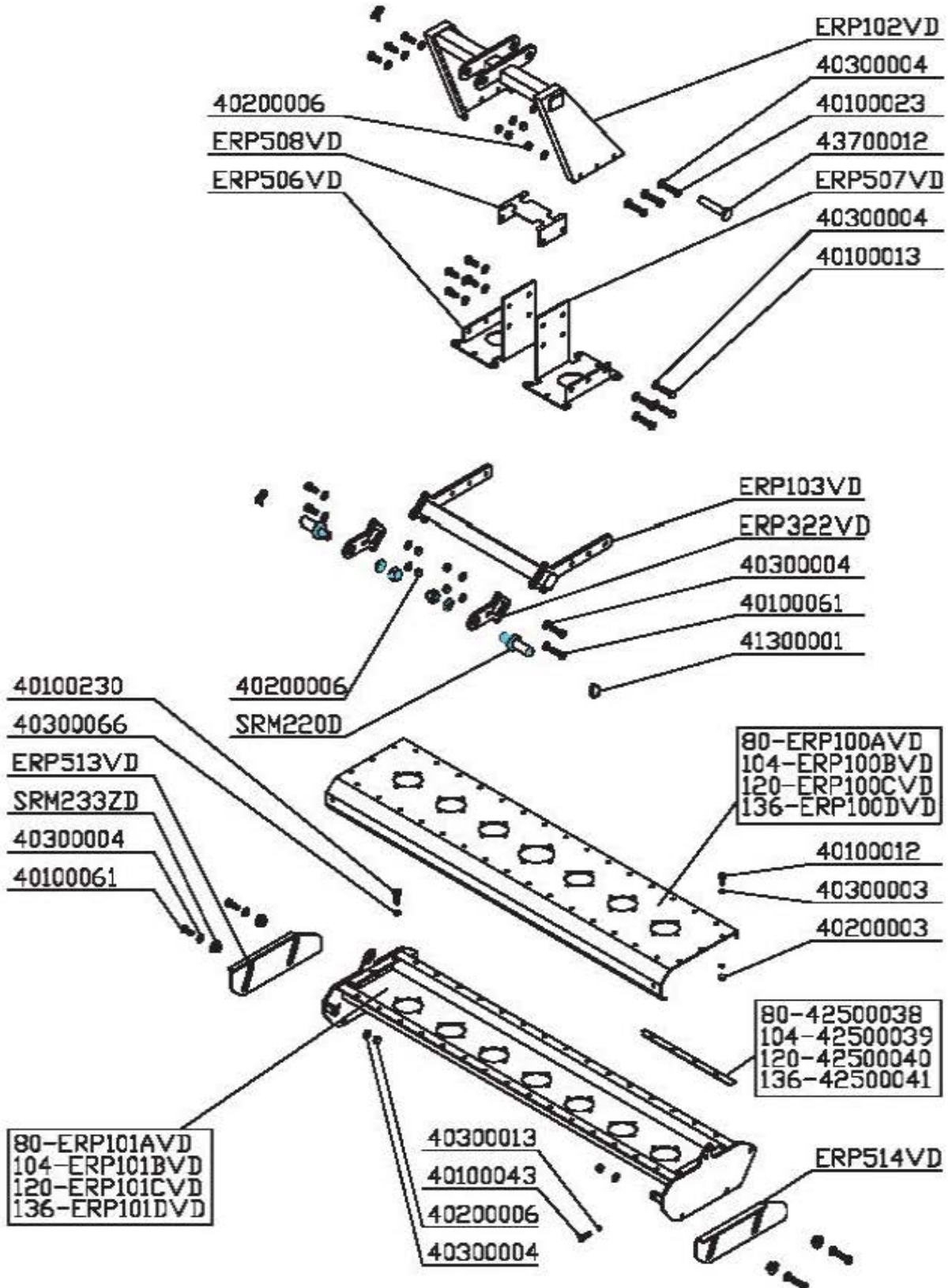


# ROTEX L

88 - 104 - 120 - 136

*Erpice Rotante*  
*Rotary Harrow*  
*Herse Rotative*

## TELAIO - FRAME - CHASSIS



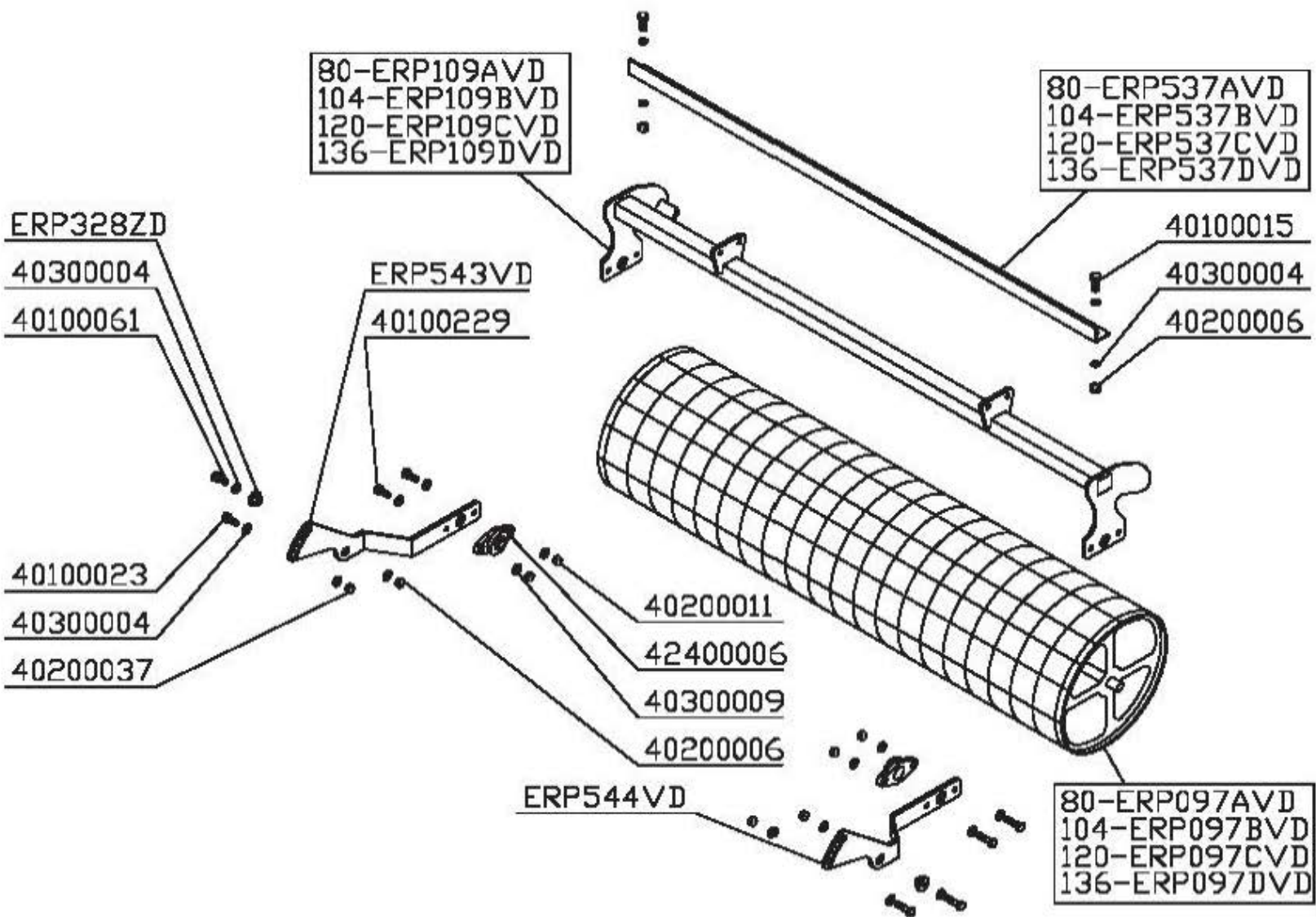


# ROTEX L

88 - 104 - 120 - 136

Erpice Rotante  
Rotary Harrow  
Herse Rotative

RULLO GRIGLIA - WIRE ROLLER - ROULEAU GRILLE





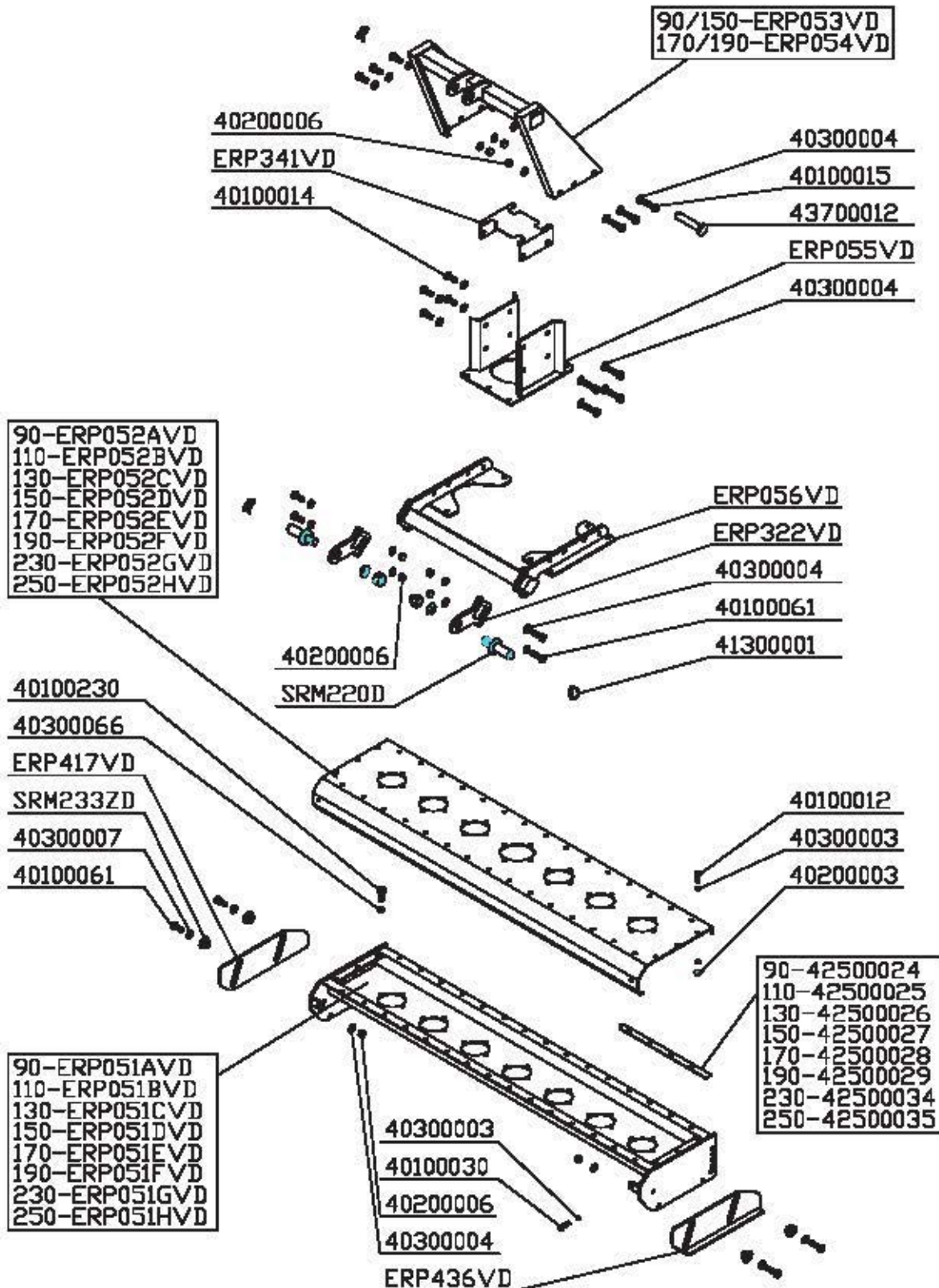


# ROTEX M

90 - 110 - 130 - 150

*Erpice Rotante*  
*Rotary Harrow*  
*Herse Rotative*

## TELAIO - FRAME - CHASSIS



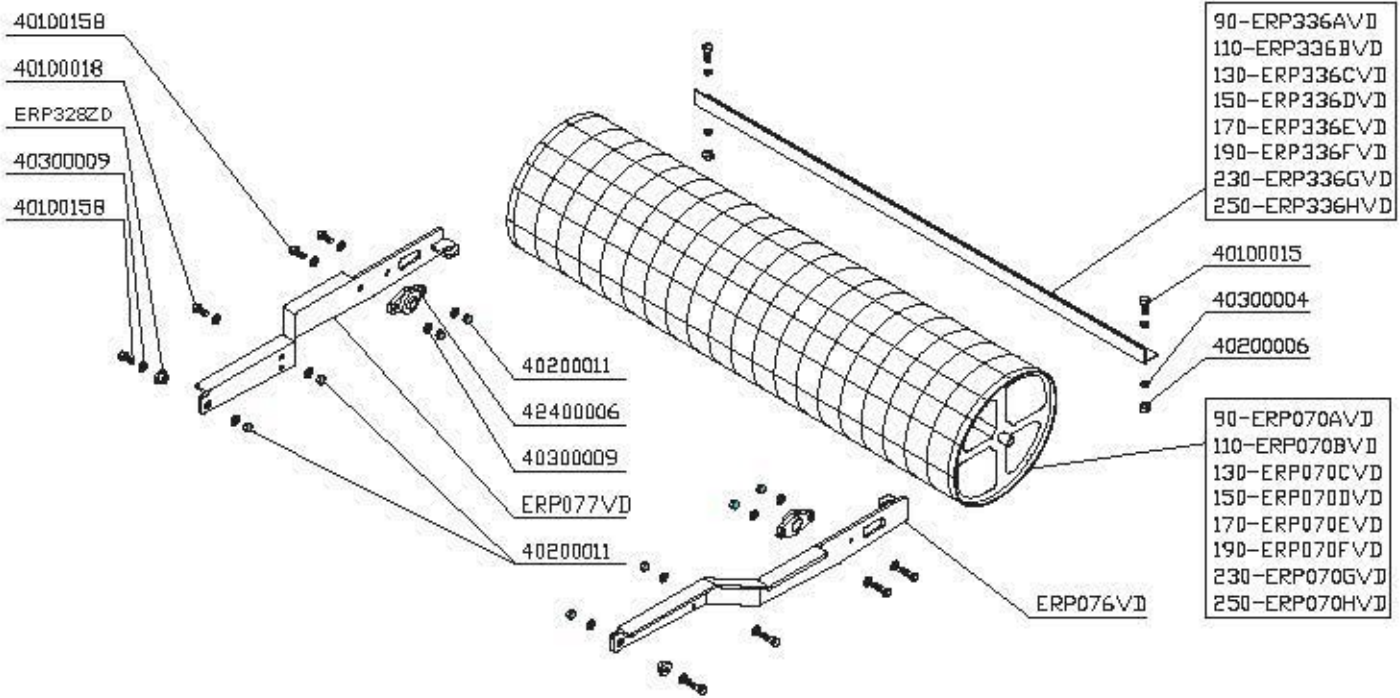


# ROTEX M

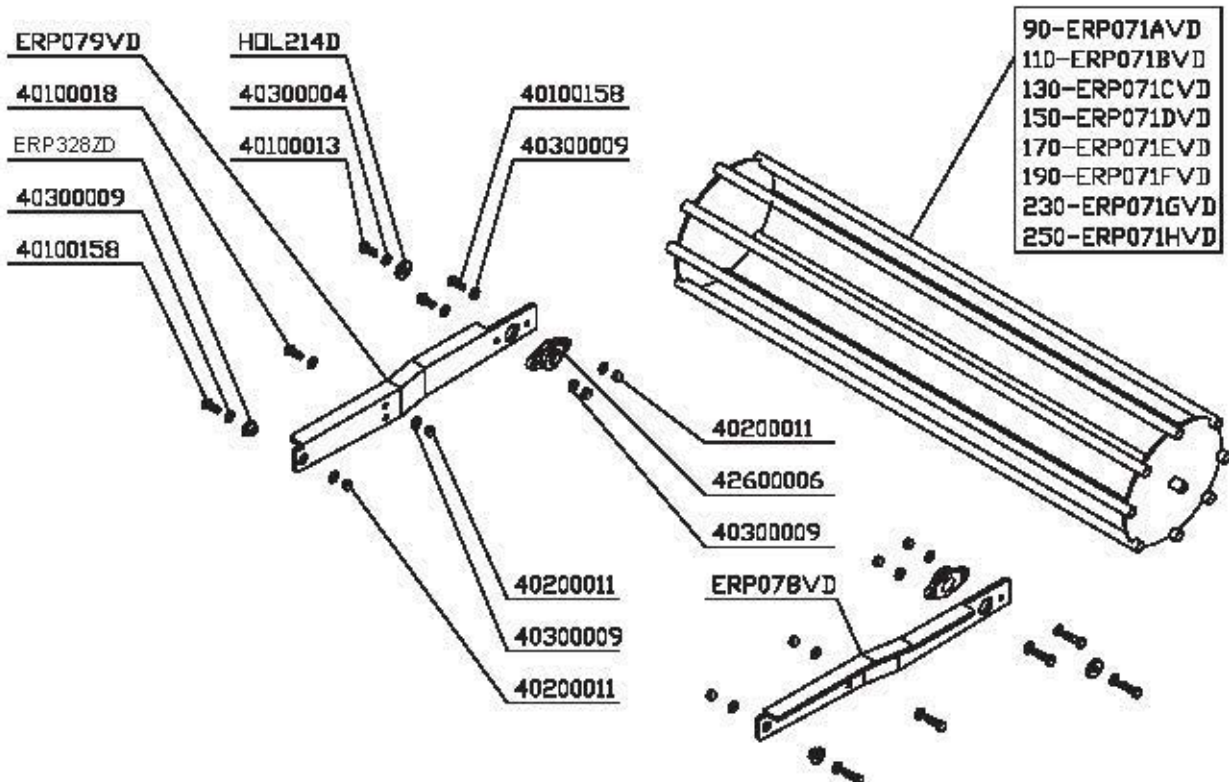
90 - 110 - 130 - 150

*Erpice Rotante*  
*Rotary Harrow*  
*Herse Rotative*

## RULLO GRIGLIA - WIRE ROLLER - ROULEAU GRILLE



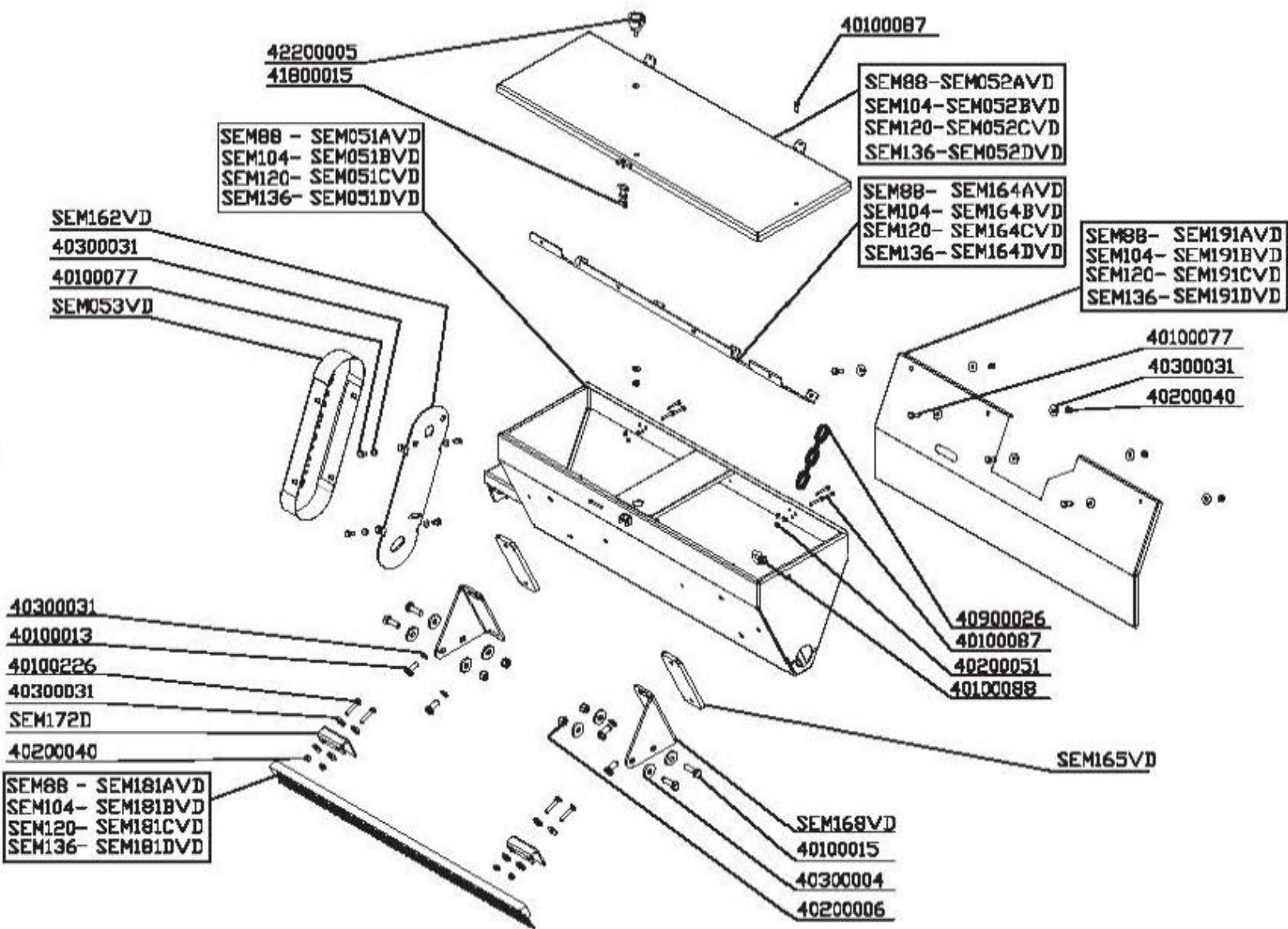
## RULLO GABBIA - CAGE ROLLER - ROULEAU CAGE





# GRASS (ROTEX M)

TELAIO - FRAME - CHASSIS  
(GRASS 90 - 100 - 120)



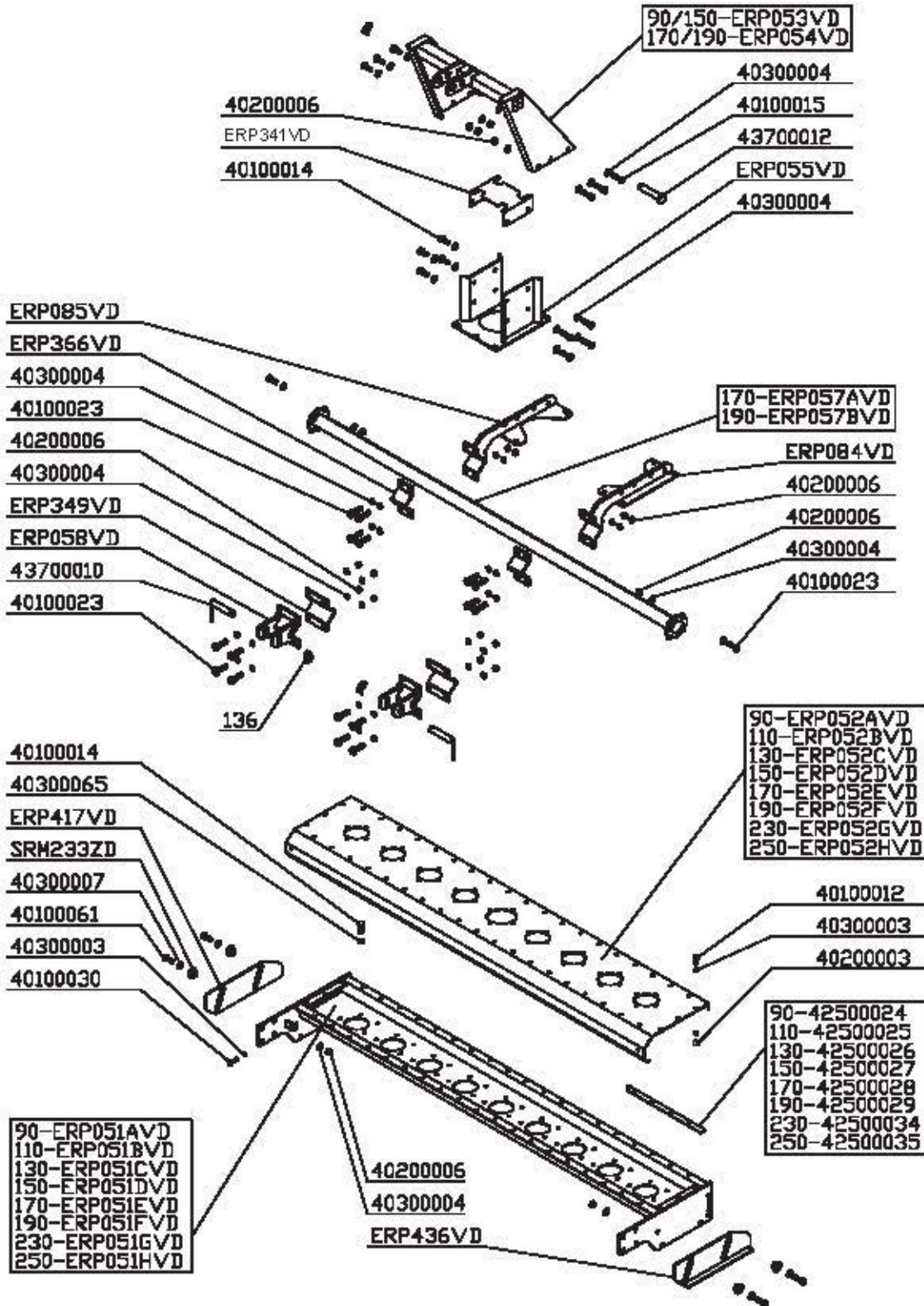


# ROTEX H

170 - 190 - 230 - 250

*Erpice Rotante*  
*Rotary Harrow*  
*Herse Rotative*

## TELAIO - FRAME-CHASSIS (ROTEX 170 - 190)



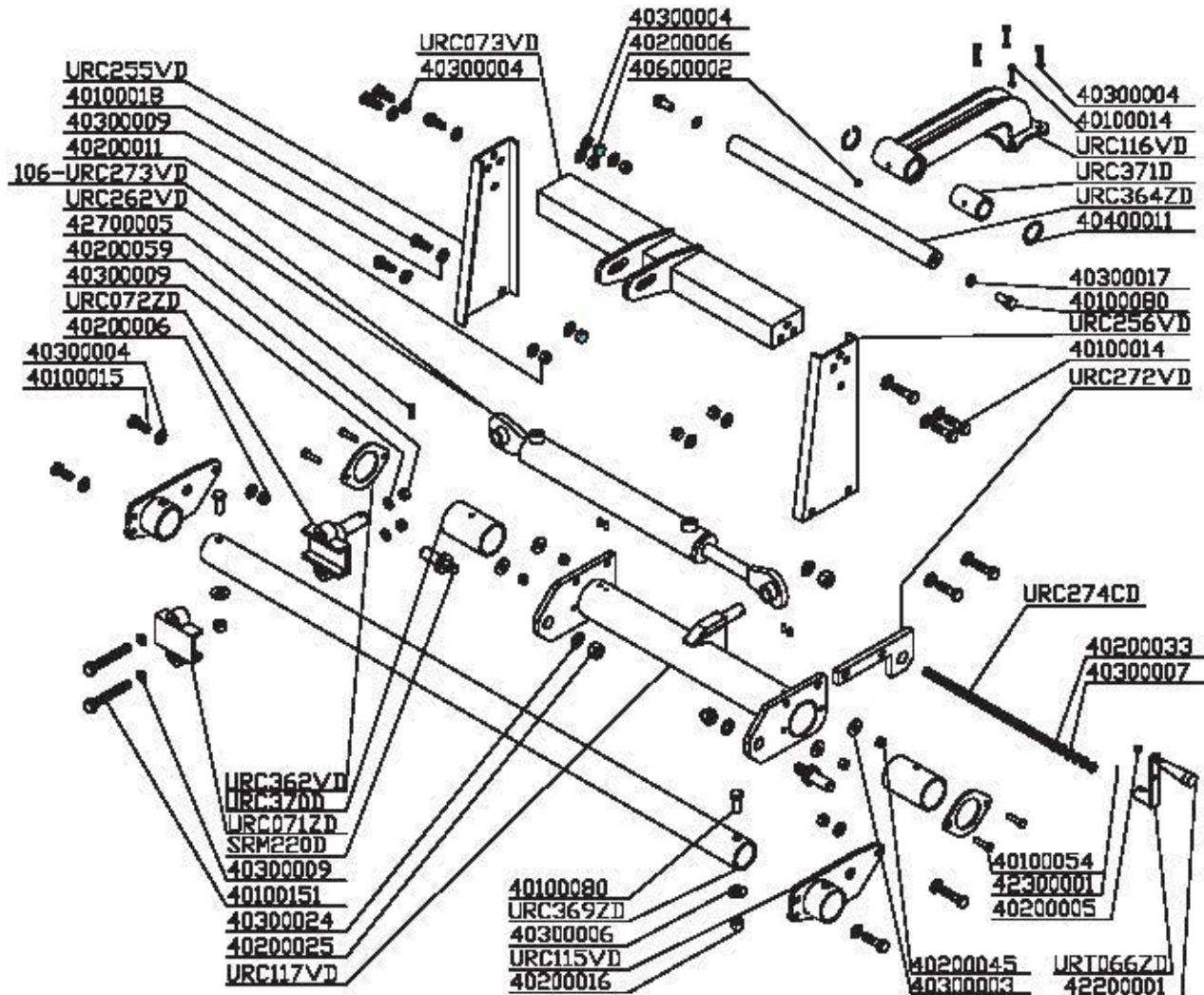


# FLIPPER

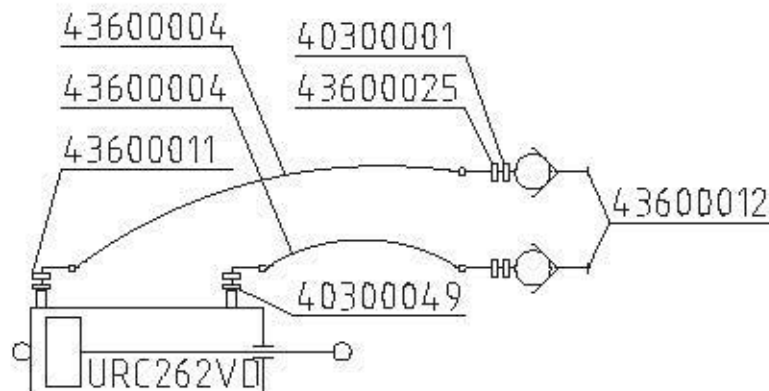
80 - 106 - 132 - 158 - 186 - 214

Trinciatrice Reversibile  
Reversible Flail Mower  
Broyeur Reversible

## SPOSTAMENTO IDRAULICO E MECCANICO HYDRAULIC AND MECHANICAL SHIFTING - DEPORT HYDRAULIQUE ET MECANIQUE (FLIPPER 214)



## IMPIANTO IDRAULICO - HYDRAULIC PLANT - CIRCUIT HYDRAULIQUE





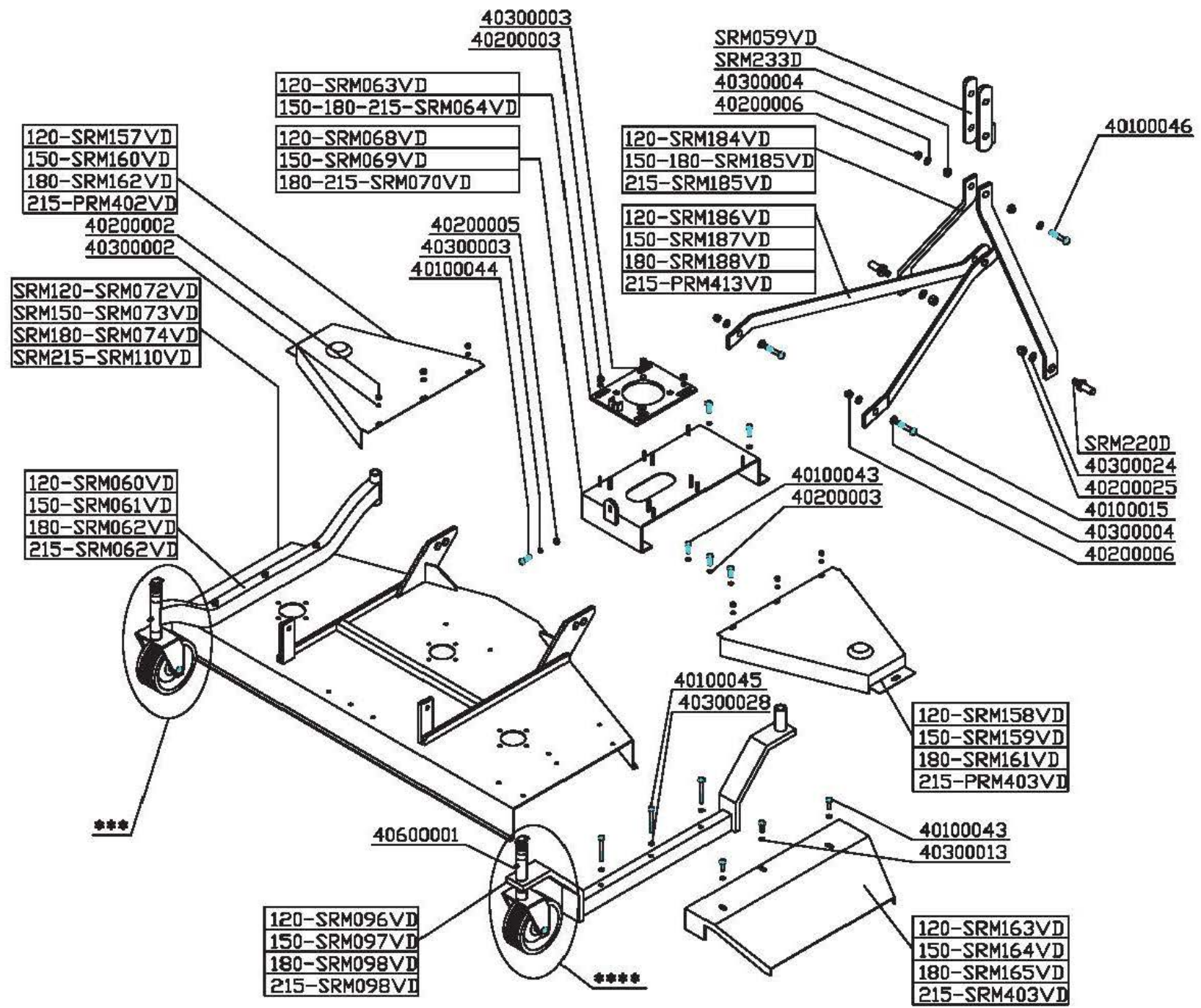
# SRM - FM

120 - 150 - 180 - 215

TELAIO - FRAME - CHASSIS

Tagliarba di finitura  
Finishing Mower  
Tondeuse de finition

101



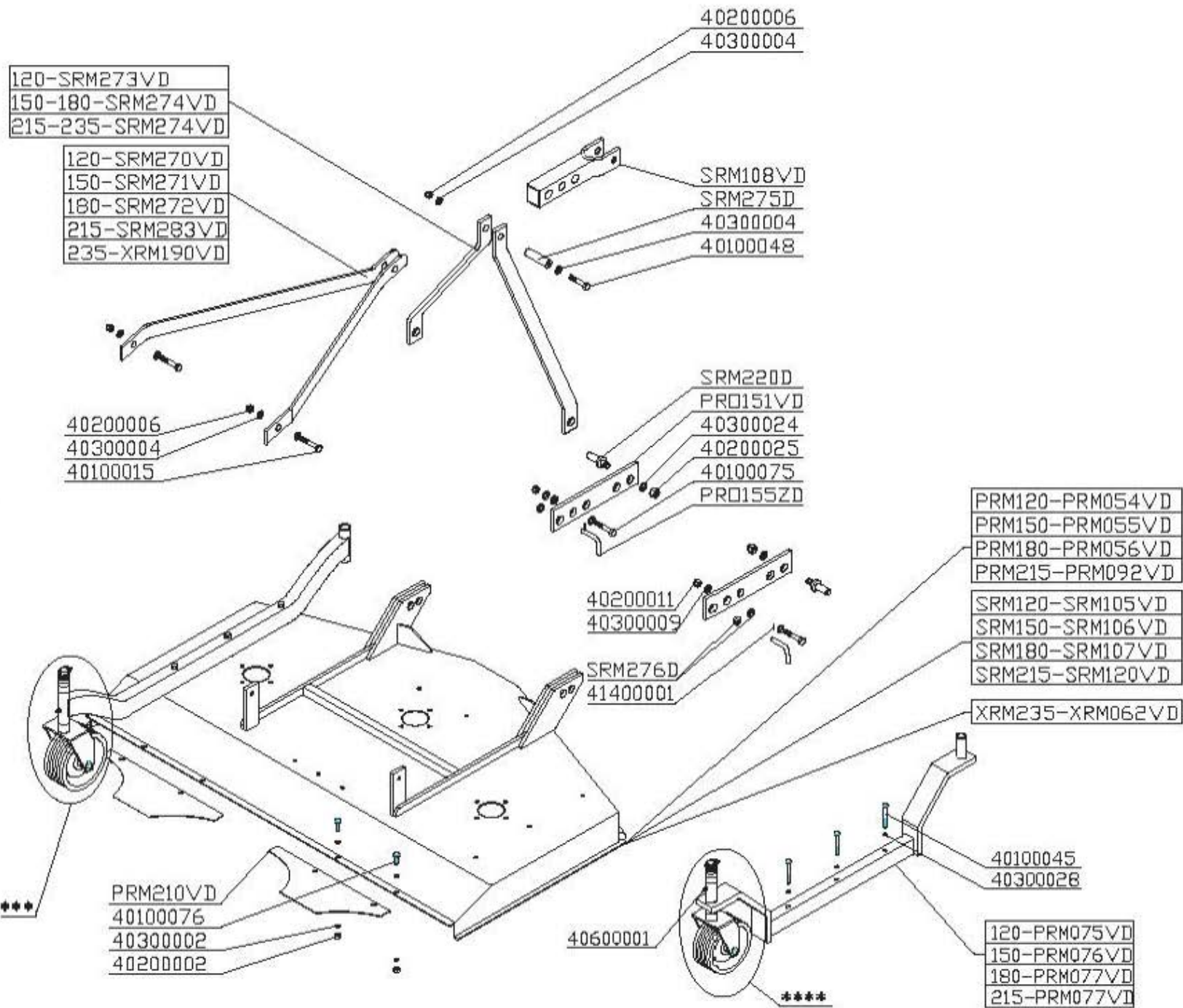


# PRM - FMRD

120 - 150 - 180 - 215

TELAIO USA - USA FRAME - CHASSIS USA

Tagliarba di finitura  
Finishing Mower  
Tondeuse de finition





# SCORPION

Biotrituratore  
Shredder  
Broyeur à Vegetaux

TRASMISSIONE - DRIVE TRAIN COMPONENTS - TRANSMISSION

