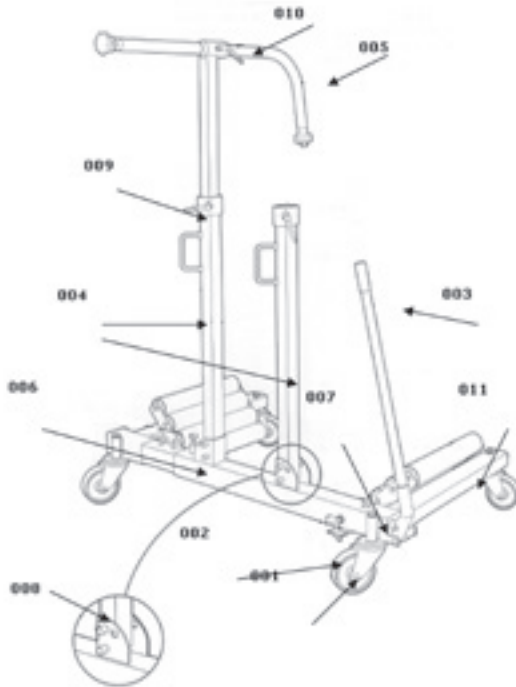


Hydraulic Wheel Changer



Hydraulic Wheel Changer

7. Detailed diagram



8. Parts list

PARTS NO.	DESCRIPTION
001	Discharge pedal
002	Safety device
003	Pump lever
004	Wheel support
005	Wheel mount
006	Locking mechanism
007	Oil reservoir
008	Pin
009	Height adjustment clamp
010	Width adjustment clamp
011	Roller panel