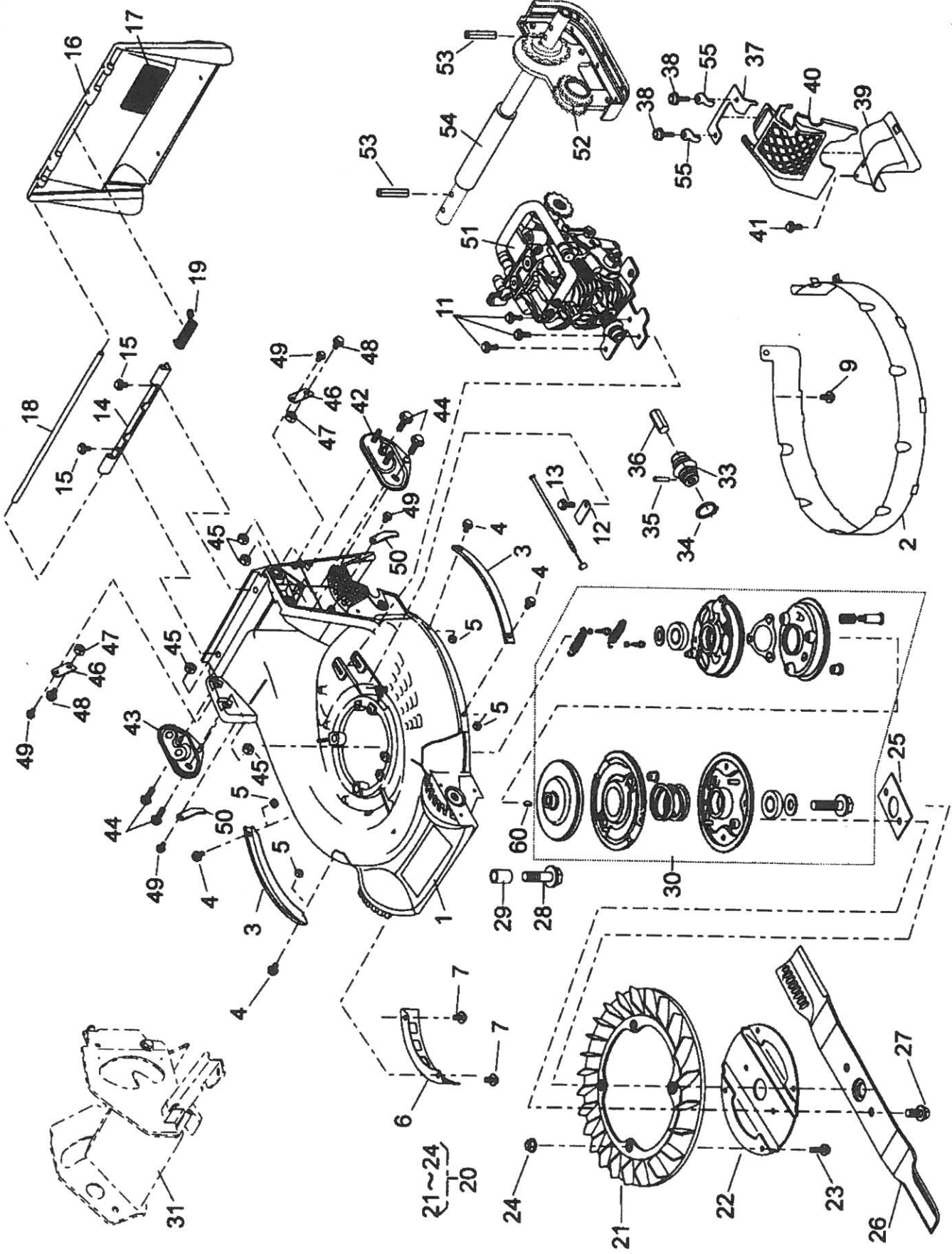


Brand : KAAZ

Model : LM5360HXA-HST-PRO

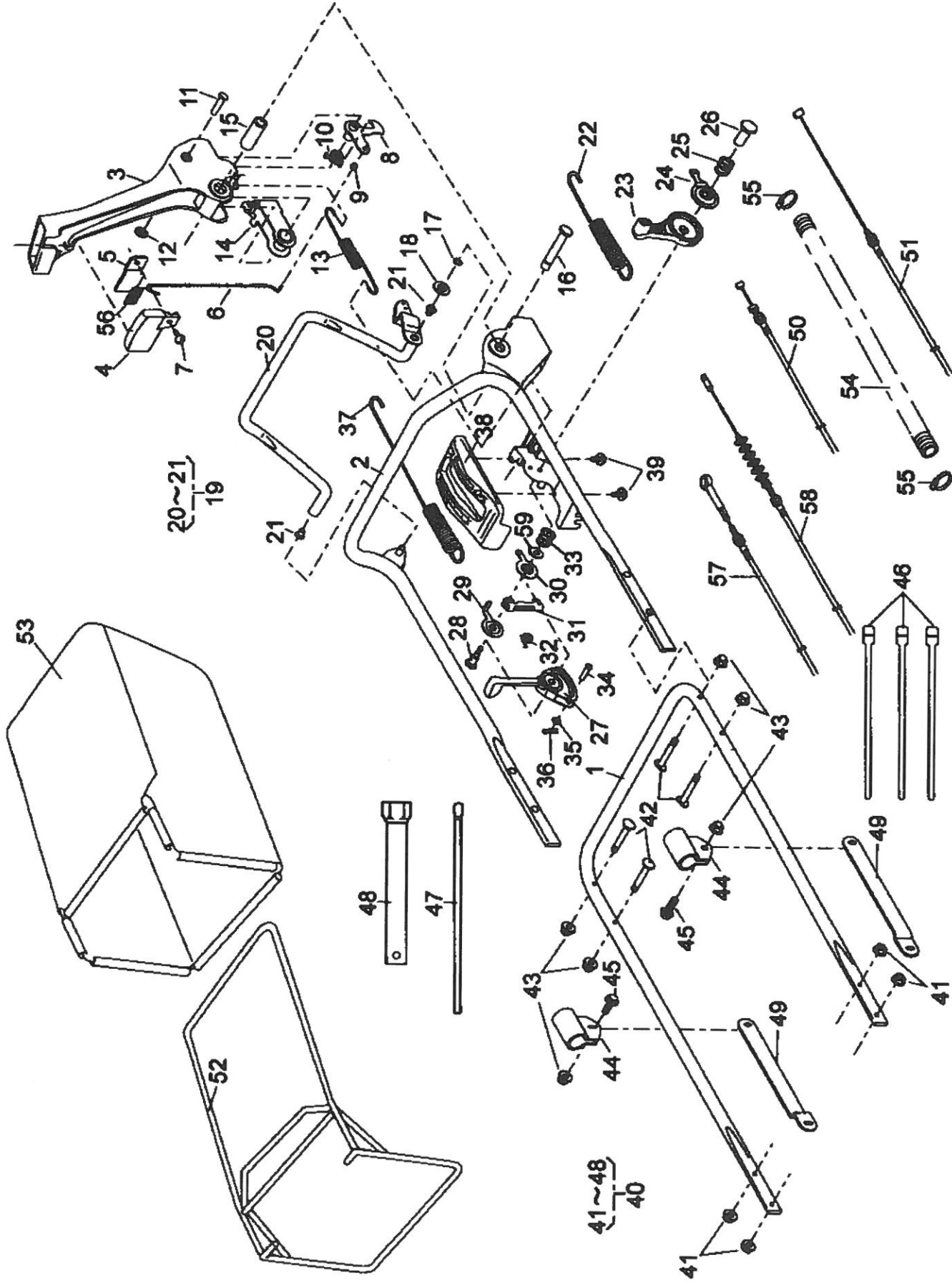
Product Code : 620555

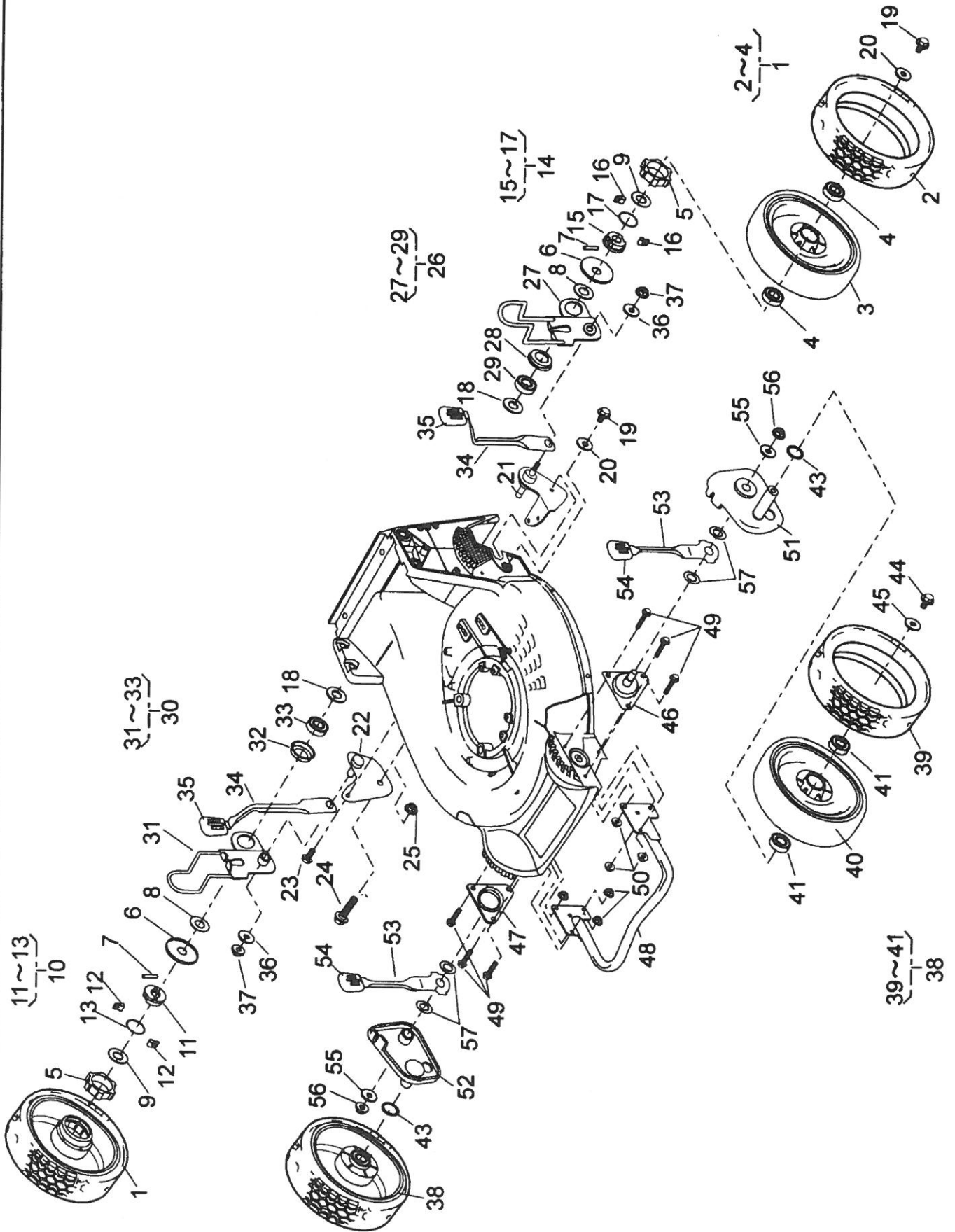


Brand: KAAZ

Model: LM5360HXA-HST-PRO

Product Code: 620555





HANDLE-HST-PRO

Brand: KAAZ

P.cd: 620555

Date: 22-Nov-2013

Revision: 02

(A): LM5360HXA-HST-PRO

(B):

(C):

Ref.No	Parts.No	Parts.Name	Q'ty			Remarks	Recomm(%) Lot.100
			(A)	(B)	(C)		
1	51027-268-103	HANDLE	1				
2	51027-269-103	HANDLE	1				
3	11095-172	LEVER	1				
4	36110-102	BUTTON	1				
5	11049-109	SLIDE PLATE	1				
6	64014-336	SHAFT	1				
7	376L0612	(+)TRUSS SCREW	1				
8	71203-135	ARM C.P.	1				
9	76007-183	BUSH	1				
10	68013-371	SPRING	1				
11	31056-127	GIB-HEADED PIN	1				
12	576V0600	PUSH NUT	1				
13	68013-392	SPRING	1				
14	11109-111	LINK	1				
15	61023-190	SLEEVE	1				
16	64014-337	SHAFT	1				
17	812V0800	C-SNAP RING	1				
18	613L0800	PLAIN WASHER	1				
19	71161-114-09	LEVER ASS'Y	1				
21	76007-131	BUSH	2				
22	68013-385	SPRING	1				
23	91010-169	THROTTLE LEVER	1				
24	61003-113	THRUST PLATE	1				
25	68013-356	SPRING	1				
26	31058-168	HEXAGON NUT	1				
27	11095-162	LEVER	1				
28	31057-249	HEXAGON BOLT	1				
29	61003-118	THRUST PLATE	1				
30	11049-108	SLIDE PLATE	1				
31	11109-112	LINK	1				
32	68013-369	SPRING	1				
33	68013-356	SPRING	1				
34	31056-126	GIB-HEADED PIN	1				
35	613L0600	PLAIN WASHER	1				
36	733L0600	SNAP PIN	1				
37	68013-375	SPRING	1				
38	71900-811	COVER ASS'Y	1				
39	470L0514	(+)TAPPING SCREW	2				
40	71906-556	BOLT SET	1				
41	569L0800	FLANGE NYLON NUT	4				
42	31057-256	HEXAGON BOLT	4				
43	583L0800	FLANGE CAP NUT	6				
44	11012-132	HANGER BAND	2				
45	31057-181	HEXAGON BOLT	2				
46	68028-118	WIRE BAND (GT280)	3				
47	66008-103	PLUG BOX BAR (8x200)	1				
48	66006-125	BOX SPANNER	1				
49	71900-846	BAR SET	1				
50	91001-329	THROTTLE WIRE	1				
51	91003-169	CONTROL CABLE	1				
52	11062-178	FRAME C.P.	1				
53	36098-132	GRASS BAG C.P.	1				
54	41003-201	TUBE (15.6x800L)	1				
55	68028-119	WIRE BAND (SHT18R-W)	2				
56	36080-156	RUBBER SHEET	1				
57	91003-178	CONTROL CABLE	1				
58	91003-181	CONTROL CABLE	1				
59	61003-109	THRUST PLATE	1				

GRASS-CUTTING-HST-PRO

Brand: KAAZ

P.cd: 620555

Date: 1-Apr-2014

Revision: 03

(A): LM5360HXA-HST-PRO

(B):

(C):

Ref.No	Parts.No	Parts.Name	Q'ty			Remarks	Recomm(%) Lot.100
			(A)	(B)	(C)		
1	51043-151-42	HOUSING	1				
2	36068-204	GUARD	1				
3	51090-117-09	PROTECTOR	2				
4	335L0616	FLANGE BOLT	4				
5	512L0600	HEXAGON NUT	4				
6	36065-180	COVER	1				
7	342L0612	FLANGE TAPPING BOLT	2				
9	342L0612	FLANGE TAPPING BOLT	1				
11	342L0612	FLANGE TAPPING BOLT	3				
12	11113-407	STAY	1				
13	342L0612	FLANGE TAPPING BOLT	1				
14	11113-292	STAY	1				
15	342L0612	FLANGE TAPPING BOLT	2				
16	36068-196-46	GUARD	1				
17	36080-149	RUBBER SHEET	1				
18	64014-324	SHAFT	1				
19	68013-336	SPRING	1				
20	71082-111	FAN ASS'Y	1				
21	51125-103	FAN	1				
22	11102-151	HOLDER	1				
23	31062-169	PRE-COAT LOCK BOLT	4				
24	579L0600	FLANGE NUT	4				
25	61024-208	SPACER	1				
26	91014-188	BLADE	1				
27	31057-197	HEXAGON BOLT	2				
28	31057-243	HEXAGON BOLT	4				
29	61024-142	SPACER	3				
30	71067-106	BRAKE A'Y(BBC530-KAZ	1				
33	91097-101	UNIVERSAL JOINT	1				
34	812V2000	C-SNAP RING	1				
35	717B0418	PARALLEL PIN	1				
36	64014-368	SHAFT	1				
37	11050-181	FIXING PLATE	1				
38	423L0820	SOCKET SCREW FLANGE	2				
39	36065-453	COVER	1				
40	36065-454	COVER	1				
41	342L0616	FLANGE TAPPING BOLT	1				
42	51116-149	HANDLE BRACKET	1				
43	51116-150	HANDLE BRACKET	1				
44	31057-255	HEXAGON BOLT (M8x25)	4				
45	512L0800	HEXAGON NUT	4				
46	11113-408	STAY	2				
47	512L0800	HEXAGON NUT	2				
48	31057-181	HEXAGON BOLT	2				
49	342L0612	FLANGE TAPPING BOLT	4				
50	11113-415	STAY	2				
51	71906-732	HST ASS'Y	1				
53	711V0522	SPRING PIN	2				
54	11083-387	COLLAR	1				
55	11011-145	CLAMP	2				
60	94401-16150	WOODRUFF KEY (16x15)	1				

