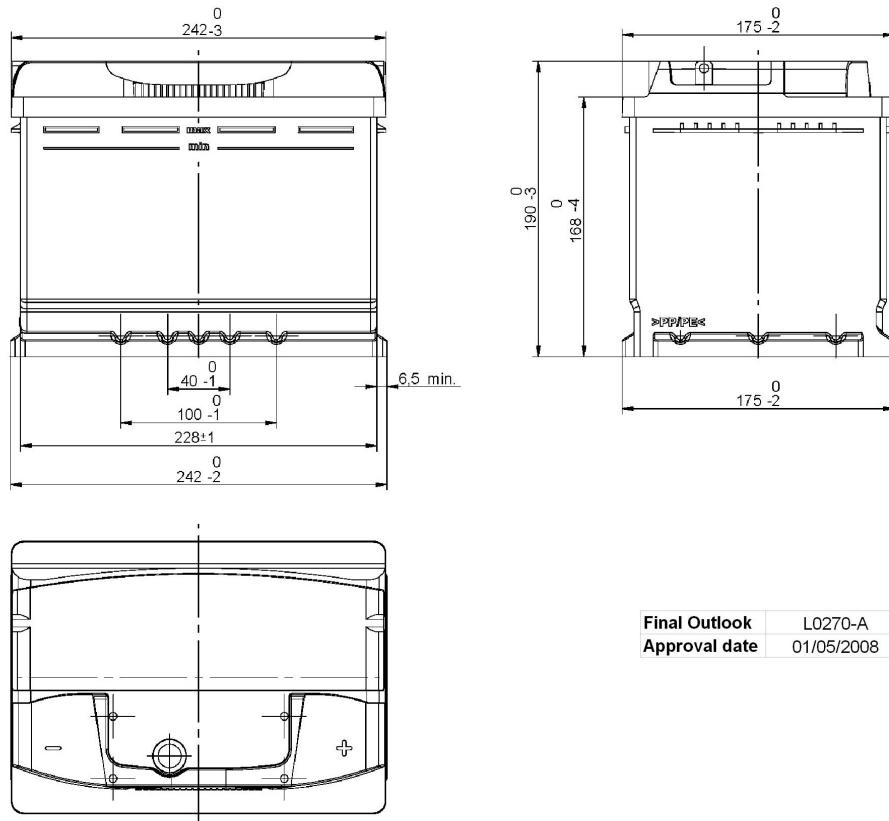


Central Article Code: L02066C70-A
 ETN Code or Other:

Created: 24/04/2008
 Modified: 1/29/2010



Final Outlook L0270-A
 Approval date 01/05/2008

PERFORMANCES

Voltage (V): 12 V
 C20 (Ah): 64.0 20 h
 Rc (min): 0
 Cranking (A): 640 EN
 Vibration: V2 (35Hz/6g/2h)
 Endurance: E2 (90 cycles@50%)
 Charge: WET
 Technology: Vented/Flooded
 Grid: Ca/Ca

WEIGHT AND STD. DIMENSIONS

Battery Weight (kg): 15.73
 Volume acid (l): 3.75
 Length (mm): 242
 Width (mm): 175
 Height (mm): 190

CONTAINER

Type: L02 GREY DARK
 Hold Down: B13
 H.D. Adapter: No

COVER

Type: Double with Rigid GREY DARK
 Polarity: ETN 0
 Terminals: EN taper post
 Terminal Adapter: No
 SOCI: Black SOCI with one ball
 Ventilation: Central
 Filter: 2 Filters
 Lateral Plug: Standard Positive BLACK
 pole side

PLUGS

Type: 1 x Vent Sealed PSL- GREY DARK

HANDLES

Type: 1 x PSL AM GREY DARK

OTHERS

Degassing Tube: No

All figures show nominal values. Tolerances are according to EN50342 and applicable European Regulations.