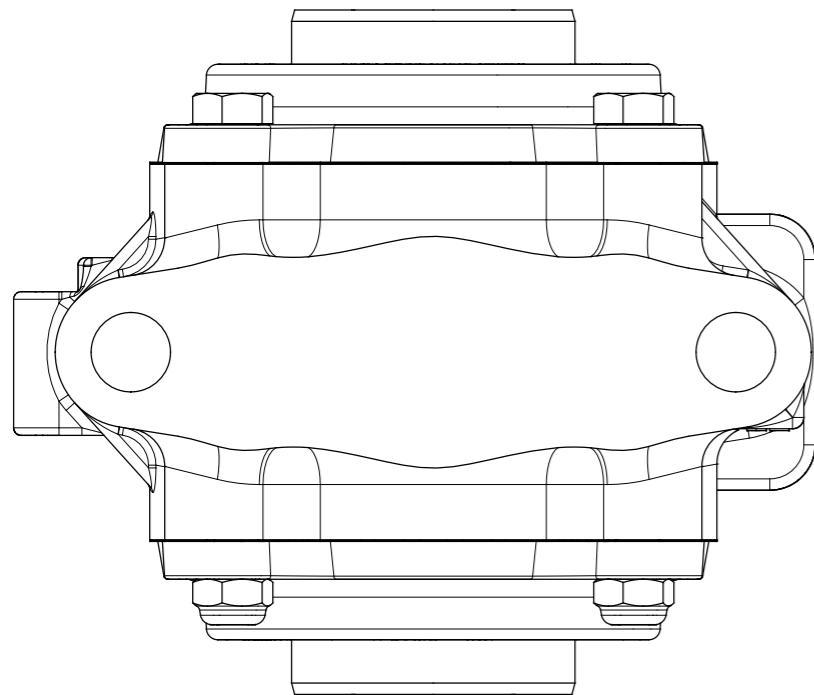
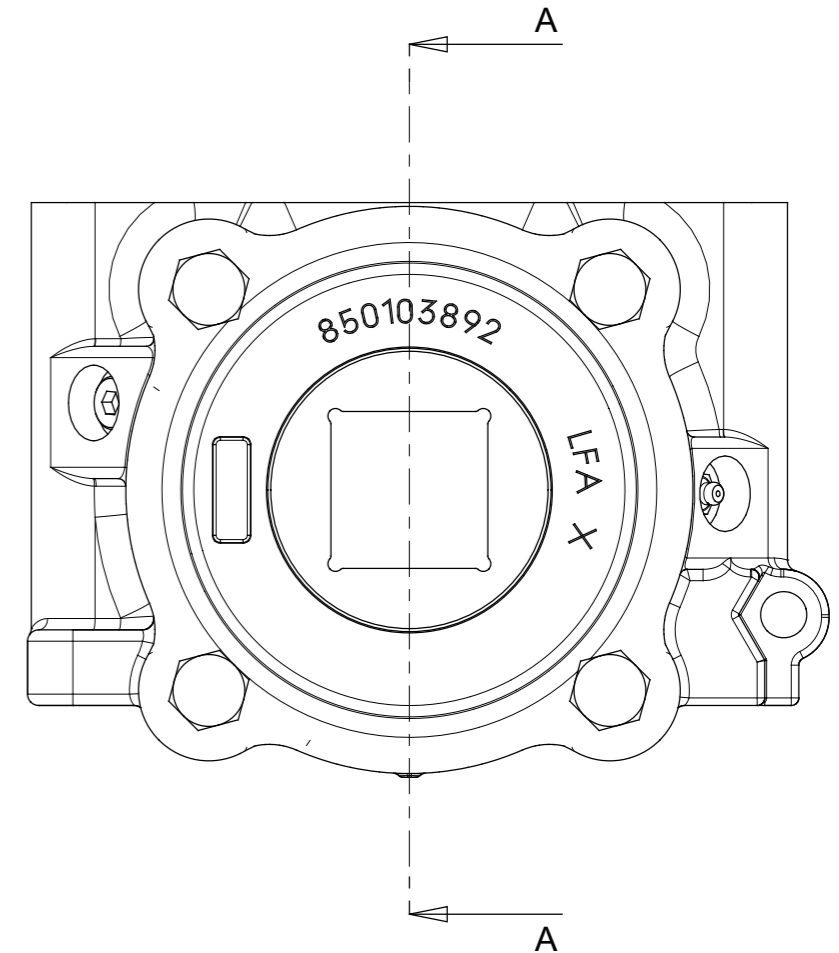
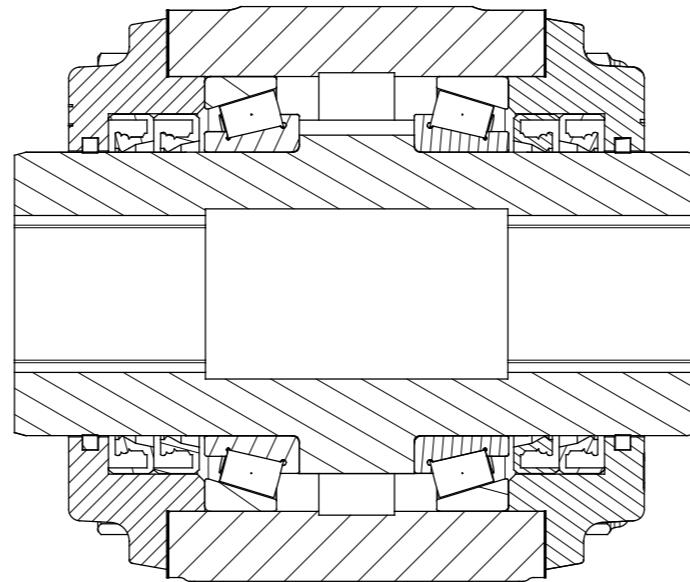
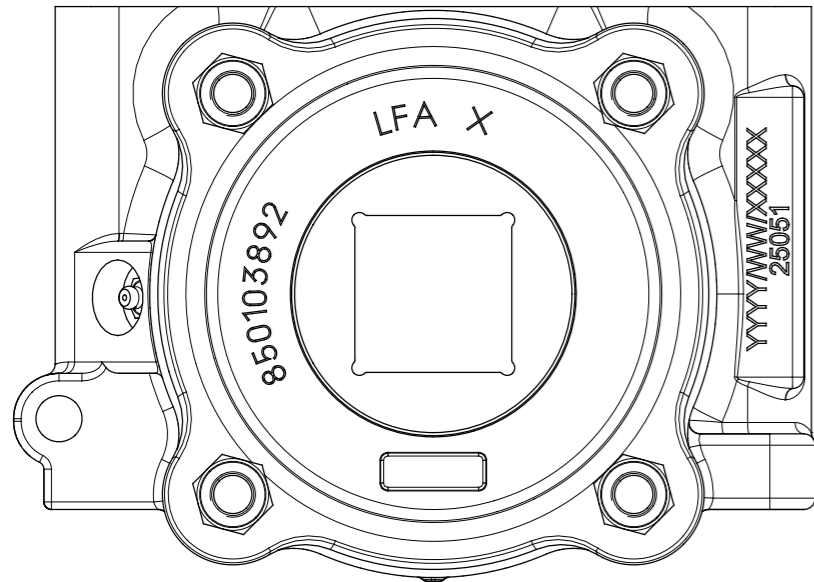



COUPE A-A



REP.	Qte.	Masse	REFERENCE	MATIERE	DEBIT
11	2	0.000	VN 32 015	()	
10	4	0.018	VJ 322	Nut Material Class 8 (NUT_CLASS_8)	Fourniture
9	4	0.000	850103799	()	
8	1	0.009	25052	ACIER (ACIER_GENERIQUE)	MANULI 21083
7	1	8.847	25051	EN-GJL-250 ()	FONDERIE
6	1	4.170	850 103 992	GJS-400-15 ()	
5	5	0.000	850 103 899	PVC ()	
4	2	1.717	850 103 892	Fonte EN-GJL-250 (FONTE_EN-GJL-250)	--
3	2	0.031	850 100 180	E36 ()	
2	2	0.006	807 300 800	Graisseur droit - M10x100Z (--)	--
1	4	0.135	800 205 600	Bolting Material Class 8.8 (SCREW_CLASS_8-8)	Fourniture

General dimensional tolerances					IT	IT	One side weld		Each sides weld	
Dimensions	d < 200	200 < d ≤ 500	500 < d ≤ 1000	1000 < d	Angulars	IT Drilled	a mini= 0.7*e		a mini= 0.4*e	
Raw (IT14-15)	± 1	± 2	± 2.5	± 3	± 1°	H12				
Machined (IT9) Ra32	± 0.1	± 0.15	± 0.25	± 0.5	± 0.5°					
Scale : 1/2	A3	DIM ±xx		Inspection dimension						
Weight : 18.932 kg		All dimensions in millimeters [secondary dimensions in inch if displayed]								
DESIGNATIONS : Palier carre 40 Palier C:40mm Bearing C40 Bearing S:40mm										
REFERENCE : 25 050				Drawing rev. D		3D rev. D		Date : 13-Feb-20		
ISO 16016 This drawing can't be used, reproduced or forward to third parties whithout our advance written				SHEET : 1 / 2		Designer : Jerome BOUTEILLER		 Grégoire-Besson 49230 Montfaucon-Montigné France www.gb-group.co		

Modifications comments :
Remplacement de la soupape de décharge 807300600 par un bouchon 25052
Replacement of the discharge valve 807300600 by a cap 25052

Palier C:40mm
Bearing S:40mm

Index	Quantity	Reference	Designation
1	4	800 205 600	Vis H M12x130 - 8.8 Brut Screw H M12x130 - 8.8 Black
2	2	807 300 800	Graisseur droit - M10x100Z Grease nipple - M10x100
3	2	850 100 180	Joint Tresse 4003 PTFE Seal plait 4003 PTFE
4	2	850 103 892	Couvercle de palier C:40mm Bearing cap S:40mm
5	5	850 103 899	Joint de palier PVC Bearing seal PVC
6	1	850 103 992	Moyeu de palier - C:40mm Bearing hub - S:40mm
7	1	25051	Corps de palier C:40mm Bearing body S:40mm
8	1	25052	Bouchon - M10x100 Cap - M10x100
9	4	850103799	Joint - 75X95X12 Seal - 75X95X12
10	4	VJ 322	Ecrou frein std H M 12 - 8 ZNBL Nyloc nut std H M 12 - 8 ZNBL
11	2	VN 32 015	Roulement a rouleaux coniques Tapered roller bearings

