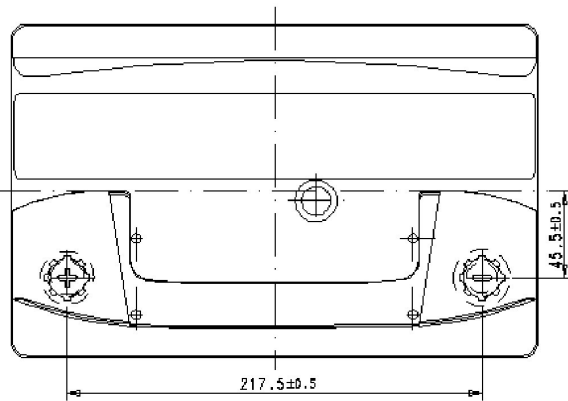
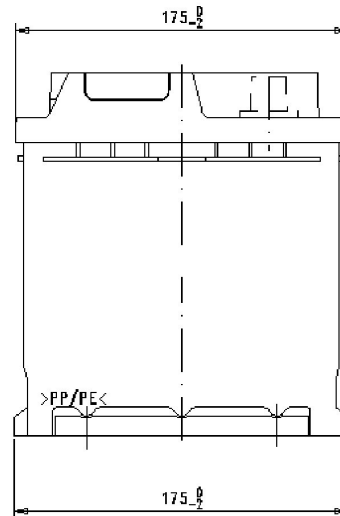
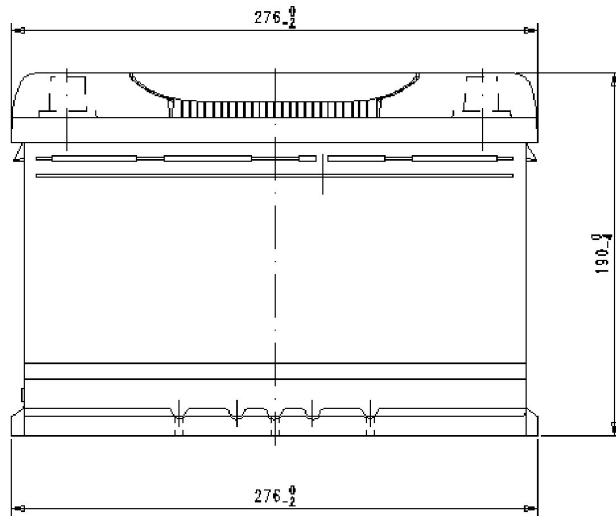


Central Article Code: L03068C17-A  
ETN Code or Other:

FB741

Created: 08/09/2005  
Modified: 11/07/2007



PERFORMANCES		CONTAINER	
Voltage (V):	12 V	Type:	L03 BLACK
C20 (Ah):	74.0 20 h	Hold Down:	B13
Rc (min):	0	H. D. Adapter:	No
Cranking (A):	680 EN	COVER	
Vibration:	V1 (35Hz/3g/2h)	Type:	NPR BLACK
Endurance:	E1 (180 cycles@25%)	Polarity:	ETN 1
Charge:	WET	Terminals:	EN taper post
Technology:	Vented/Flooded	Terminal Adapter:	No
Grid :	Ca/Ca	SOCI:	Black SOCI with one ball
WEIGHT AND STD. DIMENSIONS		Ventilation:	Central
Battery Weight (kg):	17.99	Filter:	2 Filters
Volume acid (l):	4.23	Lateral Plug:	Standard Positive BLACK
Length (mm):	278	PLUGS	
Width (mm):	175	Type:	1 x NPR (Manifold) BLACK
Height (mm):	190	HANDLES	
		Type:	1 x NPR (Standard) BLACK
		OTHERS	
		Degassing Tube:	No