

ST. S.P.A.

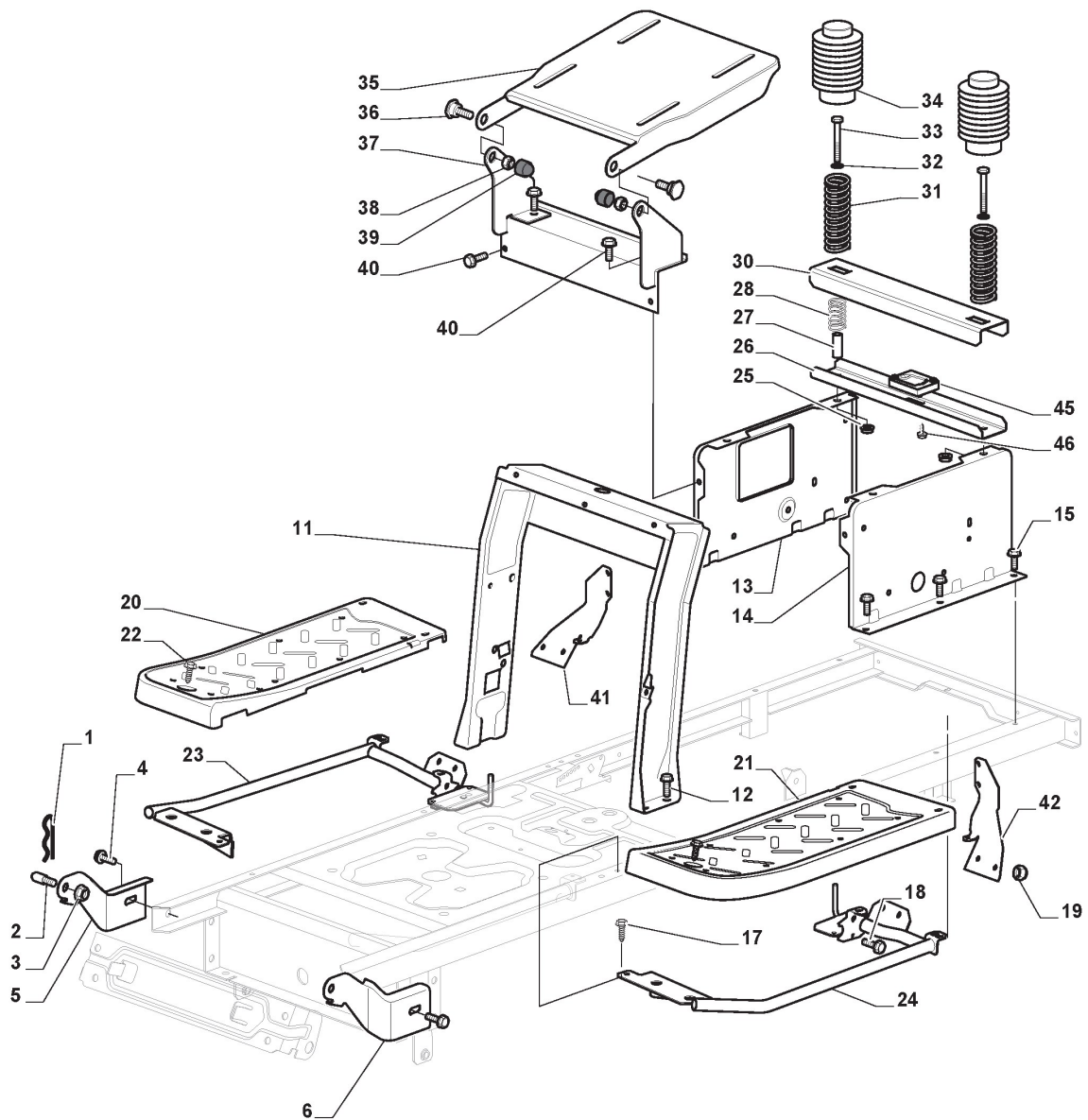
TG170/98HBi (2021)

2T2630481/SCR

Spare parts list
Reservdelar
Repuestos
Ersatzteile
Pièces détachées
Reserve onderdelen
Catalogo ricambi

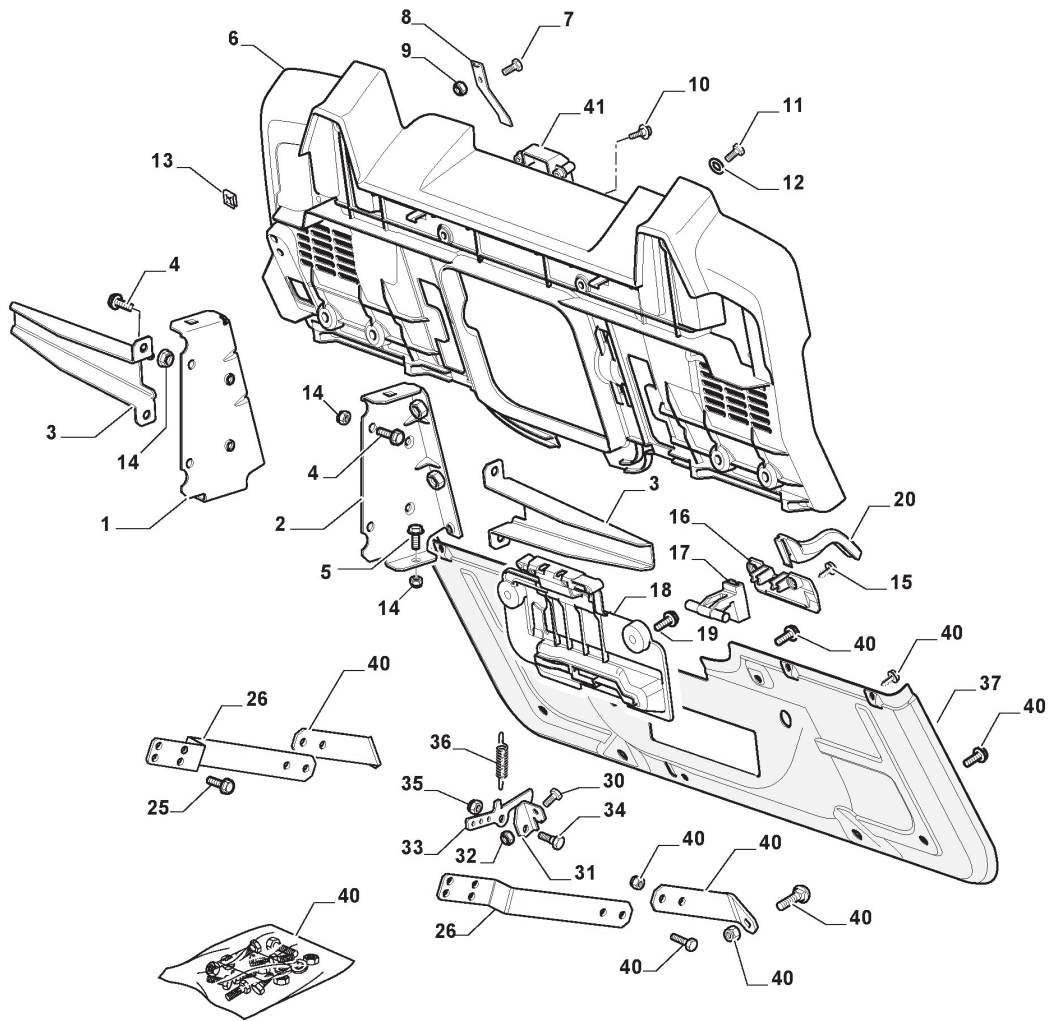
- Use ST. S.p.A. Genuine Spare Parts specified in the parts list for repair and/or replacement.
- The contents described in the parts list may change due to improvement.
- The drawings of the spare parts are only indicative And might Not represent the part in question exactly.
- The indications "right" - "left" - "front" - "rear" refer to the position of the operator when using the machine.
- When placing orders of parts for repair And/Or replacement, make sure that the illustrated parts list Is the one applying to the machine's year of manufacture, as shown on the identification plate attached to the machine.

All rights reserved. No part Of this material may be reproduced Or transmitted, in any form Or by any means, electronic Or mechanical, including photocopying, recording Or by any information storage And retrieval system, without permission in writing from ST. S.p.A.



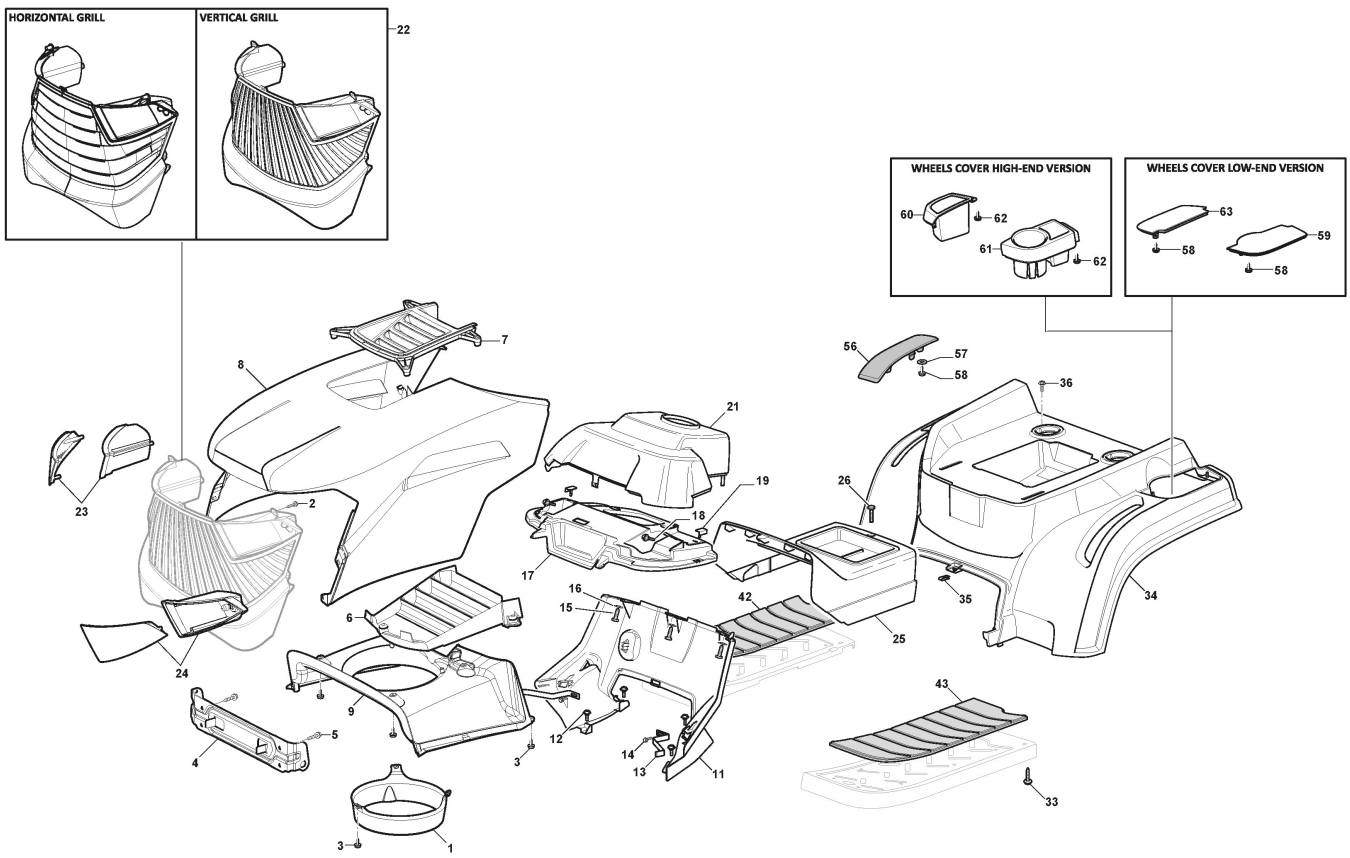
Chassis

Réf. N°	Q.té :	Code article	Description	Articles	De	Jusqu'à
1	1	124487998/0	Goupille			
2	2	125510079/0	Pivot			To S/N 19DA3RON
2	2	125510169/0	Pivot		From S/N 19DA3RON 003315	
3	2	112155000/0	Ecrou			
4	2	112735599/0	Vis			
5	1	325547225/0	Plaquette Droit			
6	1	325547227/0	Plaquette Gauche			
11	1	382785169/1	Support Tube De Direction			
12	4	125943009/0	Vis			
13	1	325785331/1	Support Siege Droit			
14	1	325785333/1	Support Siege Gauche			
15	6	125943009/0	Vis			
17	2	125943009/0	Vis			
18	2	125943009/0	Vis			
19	10	112155000/0	Ecrou			
20	1	325500041/1	Marchepied Droit			
21	1	325500043/1	Marchepied Gauche			
22	2	112735599/0	Vis			
23	1	382785223/0	Support Marchepied			
24	1	382785221/0	Support Marchepied			
25	2	112293201/0	Ecrou			
26	1	325820109/1	Support Siege			
27	2	125160048/0	Entretoise		From 01-Septem ber-2014	To
27	2	125160077/0	Entretoise			
28	2	125430263/0	Ressort			
30	1	325820111/0	Support			
31	2	125430264/0	Ressort			
32	2	112521350/0	Rondelle			
33	2	112691400/0	Vis			
34	2	325122002/0	Protecteur			
35	1	382547061/0	Plaquette			
36	2	122524970/2	Pivot			To
36	2	122524970/3	Goupille		From 01-Septem ber-2014	To S/N 20EA3RON
37	1	382820151/0	Support Siege		From S/N 20EA3RON 000612	
37	1	382820151/1	Support Siege			
38	2	112155010/0	Ecrou			
39	2	118203854/0	Capot			
40	12	125943009/0	Vis			
41	1	325650155/0	Support			To S/N 00271854
41	1	325650155/1	Support		S/N 269797	To S/N 20EA3RON
41	1	325650155/2	Support		From S/N 20BA3RON 006585	
42	1	325650157/0	Support			To S/N 20AA3RON
42	1	325650157/1	Support		From S/N DD325495	To S/N 20AA3RON
42	1	325650157/2	Support		From S/N 20AA3RON	007470
45	1	325785379/0	Support			
46	2	112728686/0	Vis			



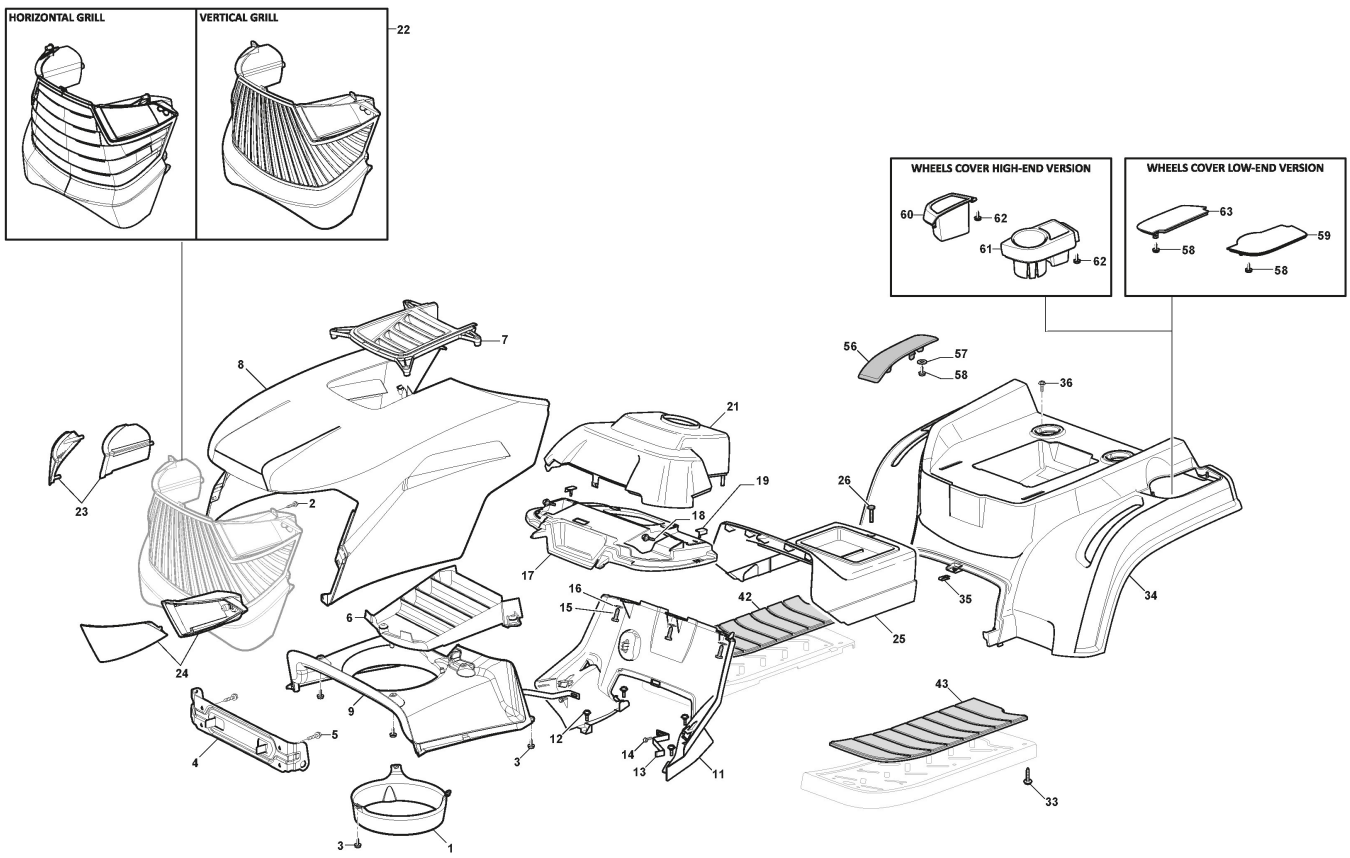
Frame - Rear Plate

Réf. N°	Q.té :	Code article	Description	Articles	De	Jusqu'à
1	1	325774501/0	Bride Droit			
2	1	325774507/0	Etrier Gauche			To
2	1	325774507/1	Etrier Gauche		From	
3	2	325650163/0	Renforcement		01-September-2021	
4	8	112792611/0	Vis		From	
4	8	125943009/0	Vis		20-November-2021	To
5	2	112792611/0	Vis		From	
5	2	125943009/0	Vis		20-November-2021	To
6	1	325547299/1	Plaque Arriere, Partie Superieur			
7	1	112789008/0	Vis			To
7	1	112789021/0	Vis		From	
8	1	127430600/0	Ressort		01-January-2022	
9	1	112154330/0	Ecrou			
10	4	125943010/0	Vis			
11	6	112789008/0	Vis			To
11	6	112789021/0	Vis		From	31-December-2021
12	6	112523020/0	Rondelle			
13	6	112437503/0	Plaquette			
14	10	112155000/0	Ecrou			
15	2	112728686/0	Vis			
16	1	325109522/0	Couvercle Protection			
17	1	325318276/0	Levier			
18	1	325785428/0	Support			
19	2	125943010/0	Vis			
20	1	325318277/0	Levier	Also on endowment p40		
25	4	112793102/0	Vis			
26	2	325774521/0	Etrier			
30	1	112789008/0	Vis			To
30	1	112789021/0	Vis		From	
31	1	325755061/0	Etrier		01-January-2022	
32	1	112154330/0	Ecrou			
33	1	325774533/0	Etrier			
34	1	125510080/2	Pivot			
35	1	112154510/0	Ecrou			
36	1	125430282/1	Ressort			
37	1	382547071/1	Plaque Arriere, Partie Inferieur			
40	1	382180146/0	Dotation Visserie			
41	1	325600107/0	Protection Micro			



Carrosserie

Réf. N°	Q.té :	Code article	Description	Articles	De	Jusqu'à
1	1	325108113/0	Convoyeur Air	only with Loncin TwinClynder Engine (Not Kawasaki)		
2	6	112728691/0	Vis			
3	12	112728686/0	Vis			
4	1	325785551/0	Support Capot			
5	4	112735403/0	Vis			
6	1	325263312/0	Grille D'Aspiration	Grey NCS		
7	1	325263311/0	Grille D'Aspiration	Grey NCS		
8	1	325077012/0	Capot Noir	Black		
9	1	325108107/0	Convoyeur Air	Grey NCS		
11	1	325785298/0	Support Tableau Comm.			
12	4	125943010/0	Vis			
13	2	325270325/0	Guide			
14	6	112735599/0	Vis			
15	3	112735406/0	Vis			
16	3	112523040/0	Rondelle			
17	1	325120259/2	Console			
18	2	125943010/0	Vis			
19	2	325260003/0	Caoutchouc			
21	1	325120203/0	Couverture de tableau	for Bonnet MP - Low Dashboard without hole		
22	1	325077004/0	Capot avant	Black - Horizontal Grill		
23	1	382185510/0	Ens. Lumière Lampe Droite			
24	1	382185511/0	Ens. Lumière Lampe Gauche			
25	1	325110383/2	Couvre, Rouge	Light Red		
25	1	325110396/2	Couvre Central, Jaune			
25	1	325110397/1	Couvre Central Noir			
25	1	325110398/1	Couvre Central Gris	Light Grey		
25	1	325110423/0	Couvre, Blanc			
25	1	325110463/0	Couvre Central Gris	Grey NCS S8000-N		
25	1	325110478/0	Couvre Central Rouge	Dark Red		
26	1	125943010/0	Vis			
33	4	112735406/0	Vis			
34	1	325110432/1	Couvre Roues Rouge	Light Red		
34	1	325110433/0	Couvre-Roues Blanc			
34	1	325110435/0	Couvre-Roues Noir			
34	1	325110438/1	Couvre Roues Jaune			
34	1	325110442/0	Couvre Roues Gris	Light Grey		
34	1	325110480/0	Couvre Roues Rouge	Dark Red		
35	1	112437506/0	Plaquette			
36	2	125943010/0	Vis			
42	1	325110384/0	Couvre Marchepied Droit	As Optional - Not present on all assortment		
43	1	325110385/0	Couvre Marchepied Gauche	As Optional - Not present on all assortment		
56	1	325207203/0	Couvercle			
57	4	112523050/0	Rondelle			
58	4	112735403/0	Vis			
59	1	325207197/0	Couvercle			
60	1	325207198/0	Couvercle			



Carrosserie

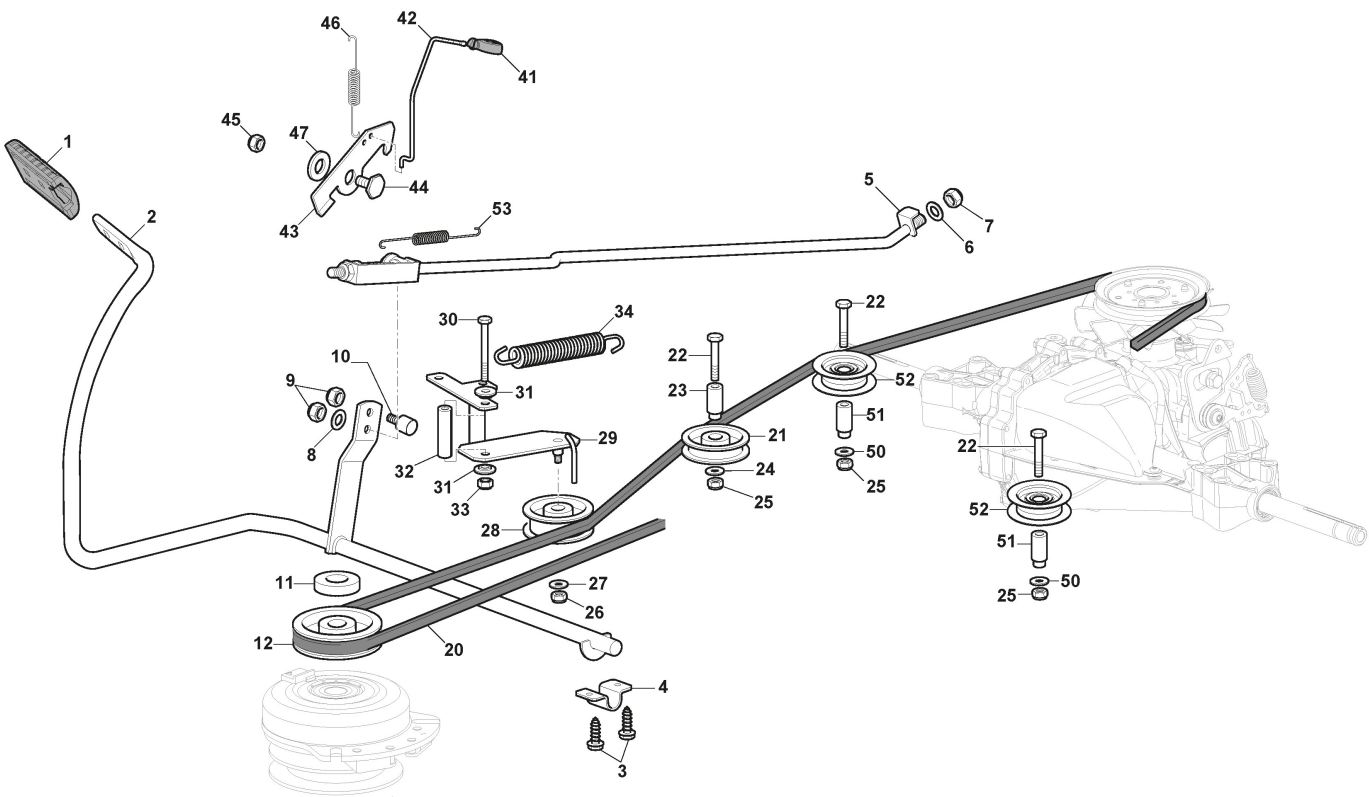
Réf. N°	Q.té :	Code article	Description	Articles	De	Jusqu'à
61	1	325207199/0	Couvercle			
62	4	112735403/0	Vis			
63	1	325207196/0	Couvercle			

Barre De Direction

Réf. N°	Q.té :	Code article	Description	Articles	De	Jusqu'à
1	1	112692050/0	Vis			
2	1	112540260/0	Rondelle			
3	1	112523070/0	Rondelle			
4	1	125160047/0	Entretoise			
5	1	325785318/0	Support			
6	1	325038008/0	Douille			
7	1	125520007/0	Tube De Direction			
8	1	112620300/0	Ressort			
9	1	112622650/0	Goupille			
10	1	125570003/0	Pignon			
11	2	127943051/0	Vis			
12	1	325785213/1	Support			
13	1	325743000/0	Joint			
14	1	112521370/0	Rondelle			
15	1	112436030/0	Plaquette			
20	1	322672151/0	Rondelle Antifricion			
21	1	125510104/0	Pivot			To S/N 19LA3RON 007423
21	1	125510173/0	Pivot		From S/N 19FA3RON 000287	
22	1	125670023/0	Rondelle			
23	1	125510109/0	Pivot			To S/N 19FA3RON 000287
23	1	125510165/0	Pivot		From S/N 19FA3RON 000287	
24	1	325735519/0	Secteur Direction			
25	1	325547233/0	Plaquette			
26	1	112369500/0	Disque Elastique			
27	1	122160400/0	Disque Elastique			
28	2	112155010/0	Ecrou			
29	2	112155010/0	Ecrou			
31	1	382000689/0	Barre De Direction	For Twin Cilynder Engine		
32	2	112156602/0	Ecrou			
34	1	325318243/0	Levier			To 19FA3RON 000287
34	1	382318323/0	Levier commande de direction		From 17-June-20 19	To 19FA3RON 000055
35	1	112692390/0	Vis			To 19FA3RON 000055
35	1	112692395/2	Vis		From 17-June-20 19	To 19FA3RON 000055
36	2	112521360/0	Rondelle	no more needed		To 19FA3RON 000055
37	1	112155020/0	Ecrou		From 17-June-20 19	To 19FA3RON 000055
37	1	112156602/0	Ecrou			To 19FA3RON 000055
38	2	125510103/0	Pivot			
39	1	325840029/0	Tirant			
40	2	325038007/0	Douille			
41	1	382230373/0	Fuseau Droit	15"		To S/N 19FA3RON 000055
41	1	382230373/1	Fuseau Droit	15"	From S/N 19FA3RON 000055	To S/N 19FA3RON 000055
42	1	382230375/0	Fuseau Gauche	15"		To S/N 19FA3RON 000055
42	1	382230375/1	Fuseau Gauche	15"	From S/N 19FA3RON 000055	To S/N 19FA3RON 000055
43	2	112155000/0	Ecrou			
45	1	382034030/0	Balancier Avec Douille Et Graisseur			
46	2	112379511/0	Graisseur			
47	4	125034002/1	Douille			
48	1	112001010/0	Anneau Benzing			

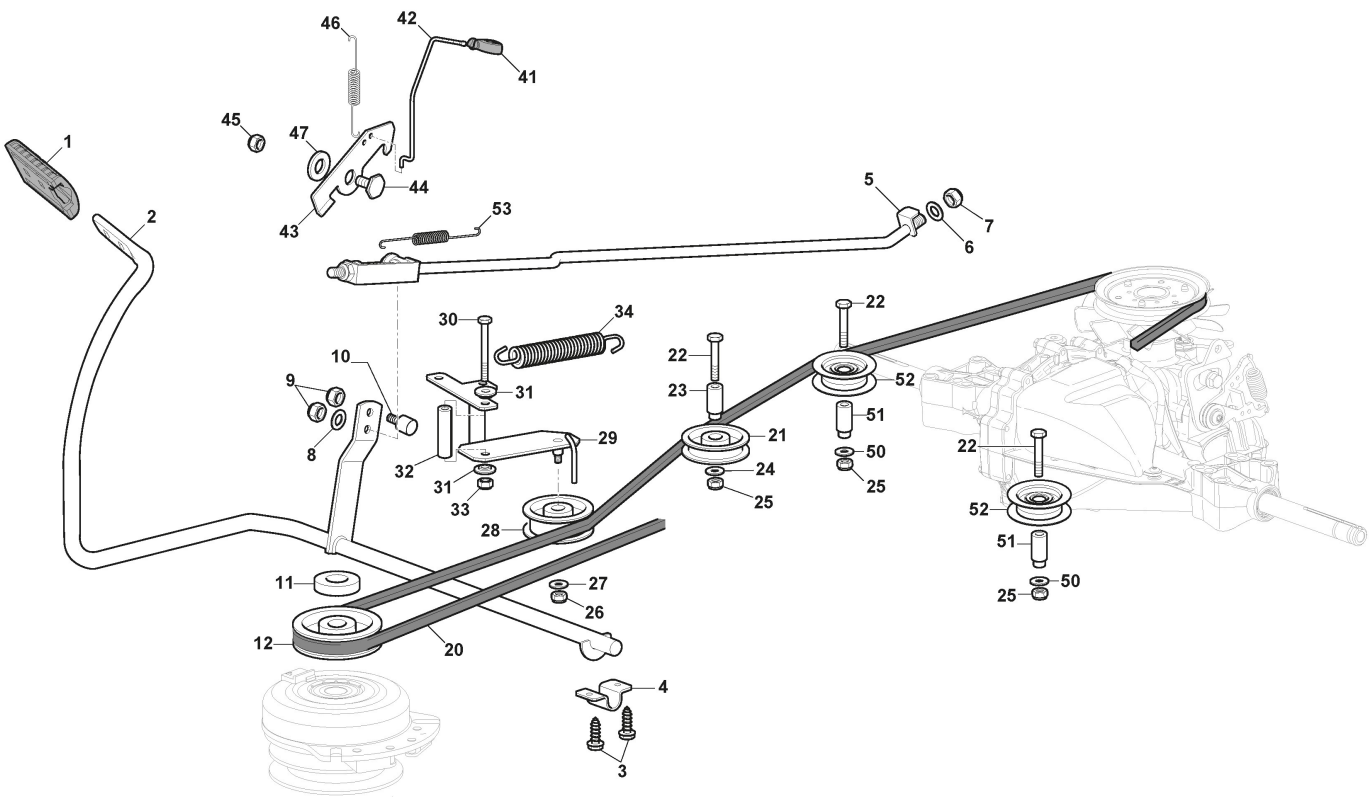
Barre De Direction

Réf. N°	Q.té :	Code article	Description	Articles	De	Jusqu'à
51	1	112692695/0	Vis			
52	2	112523100/0	Rondelle			
53	1	125160016/1	Entretoise			
54	1	112587100/0	Grower			
55	1	112295300/0	Ecrou			
61	4	125122200/2	Roulement			
62	2	125590019/0	Pneu 15x6.00-6 P512 WANDA	15"		
63	2	125950000/0	Vanne			
64	2	382680051/0	Ens. Roue	15" - P512		
66	2	125670005/2	Rondelle			
67	2	112001010/0	Anneau Benzing			
68	2	322110233/0	Couvre Moyeu	Standard Cover		
70	1	382180142/0	Dotation Visserie	Pos 1-4 incl.		



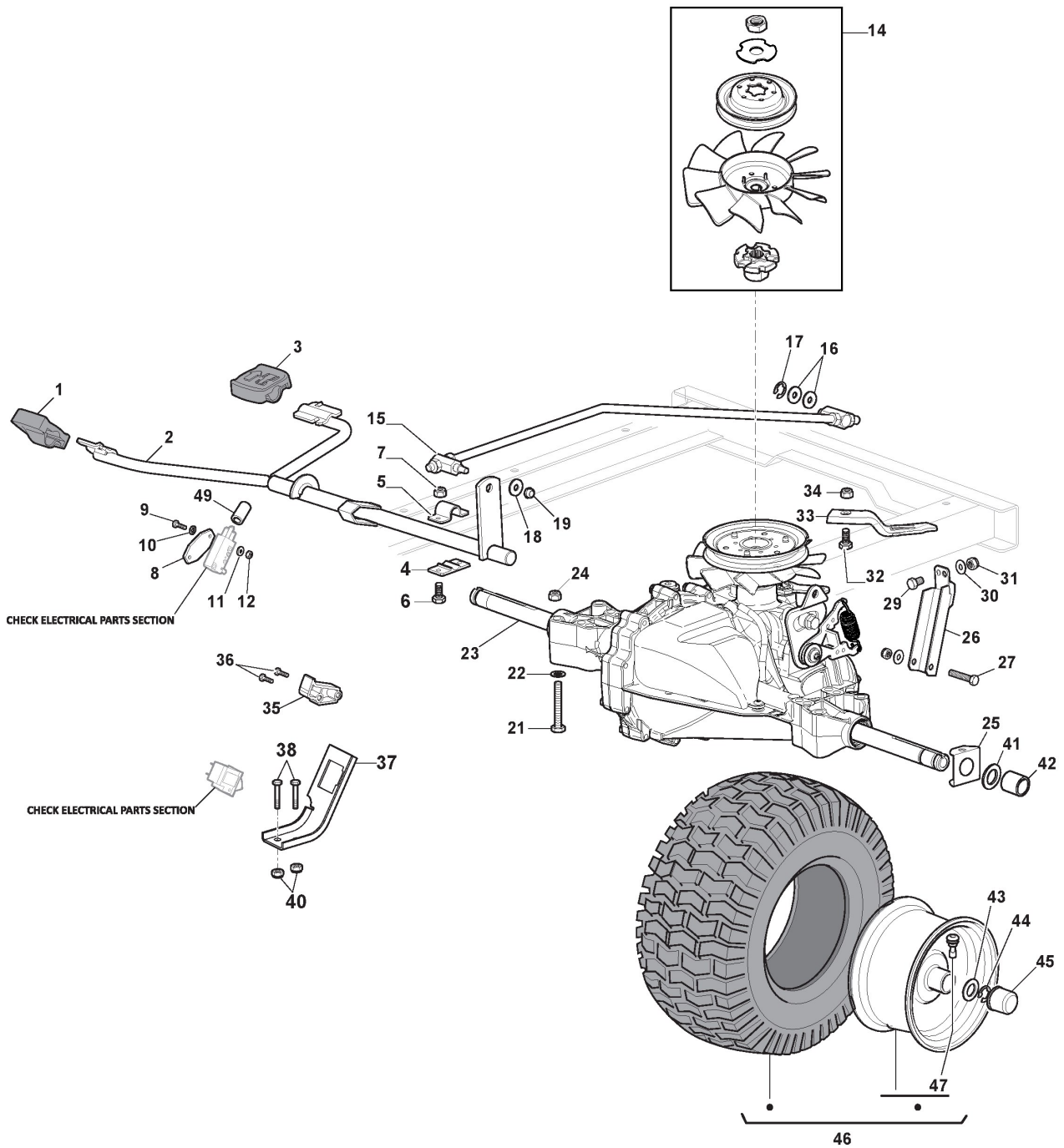
Commande Frein Et Boite De Vitesse

Réf. N°	Q.té :	Code article	Description	Articles	De	Jusqu'à
1	1	325110409/0	Couvre Etrier			
2	1	382000641/0	Pedal			To S/N
2	1	382000641/1	Pedal		From S/N 19FA3RON 000275	
3	4	112735599/0	Vis			
4	2	325547231/0	Plaquette			To S/N
4	2	325547231/1	Plaquette		From S/N 20JA3RON	000566
5	1	382000636/0	Tige			To
5	1	382000636/1	Tige De Frein		From	07-Novemb er-2021
6	1	112521360/0	Rondelle			
7	1	112156602/0	Ecrou			
8	1	325670011/0	Rondelle Antifriction			
9	2	112155000/0	Ecrou			
10	1	125510116/0	Pivot			To S/N
10	1	125510166/0	Pivot		From S/N 19DA3RON	003314
11	1	125160021/0	Entretoise			
12	1	125601577/0	Poulie			
20	1	135062001/0	Courroie Trapézoïdale			To
20	1	135062020/1	Courroie Trapézoïdale		From	31-August- 2014
21	1	125601555/0	Poulie	Bearing hole ø16		To
21	1	325601599/0	Poulie	Bearing hole ø15	From	31-August- 2013
22	3	112691400/0	Vis			
23	1	125160051/0	Entretoise			To S/N
23	1	125160083/0	Entretoise		S/N 00088194	To S/N
23	1	125160107/0	Entretoise		From S/N 19LA3RON	001058
24	3	112523060/0	Rondelle			
25	3	112155000/0	Ecrou			
26	1	112155000/0	Ecrou			
27	1	112523060/0	Rondelle			
28	1	125601554/0	Poulie			
29	1	382318245/0	Levier			
30	1	112691600/0	Vis			
31	2	125038002/1	Douille			To
31	2	125038021/0	Douille		From	01-Septem ber-2016
32	1	125160027/0	Entretoise			
33	1	112155000/0	Ecrou			
34	1	125430262/0	Ressort			
41	1	125394509/1	Poignée		From	01-Septem ber-2013
41	1	325394534/0	Poignée			To
42	1	125033083/0	Tige			To
42	1	125033113/0	Tige		From	31-August- 2013
43	1	325253011/1	Accrochage			
44	1	122524970/2	Pivot			To
44	1	122524970/3	Goupille		From	01-Septem ber-2014
45	1	112155000/0	Ecrou			
46	1	125430213/0	Ressort			
47	1	112523060/0	Rondelle			
50	2	112521350/0	Rondelle			
51	2	125160068/0	Entretoise			To S/N 19FA3RON



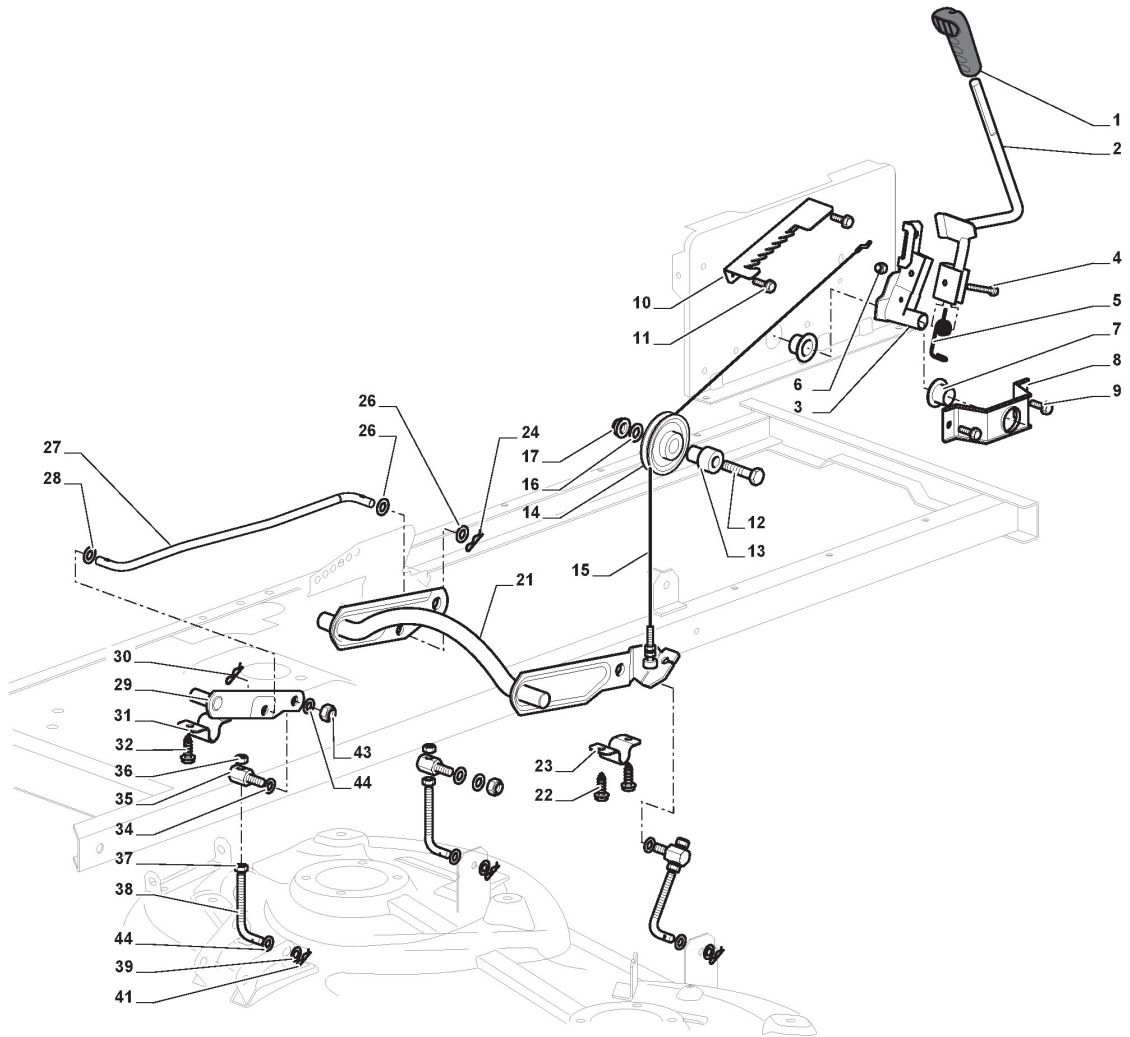
Commande Frein Et Boite De Vitesse

Réf. N°	Q.té :	Code article	Description	Articles	De	Jusqu'à
51	2	125160111/0	Entretoise		From S/N 19FA3RON 000497	To S/N 20AA3RON
52	2	125601592/0	Poulie		From S/N 20AA3RON 003892	To S/N 22AA3RON
53	1	125430269/1	Ressort		From S/N 22AA3RON 021449	
53	1	125430269/2	Ressort			



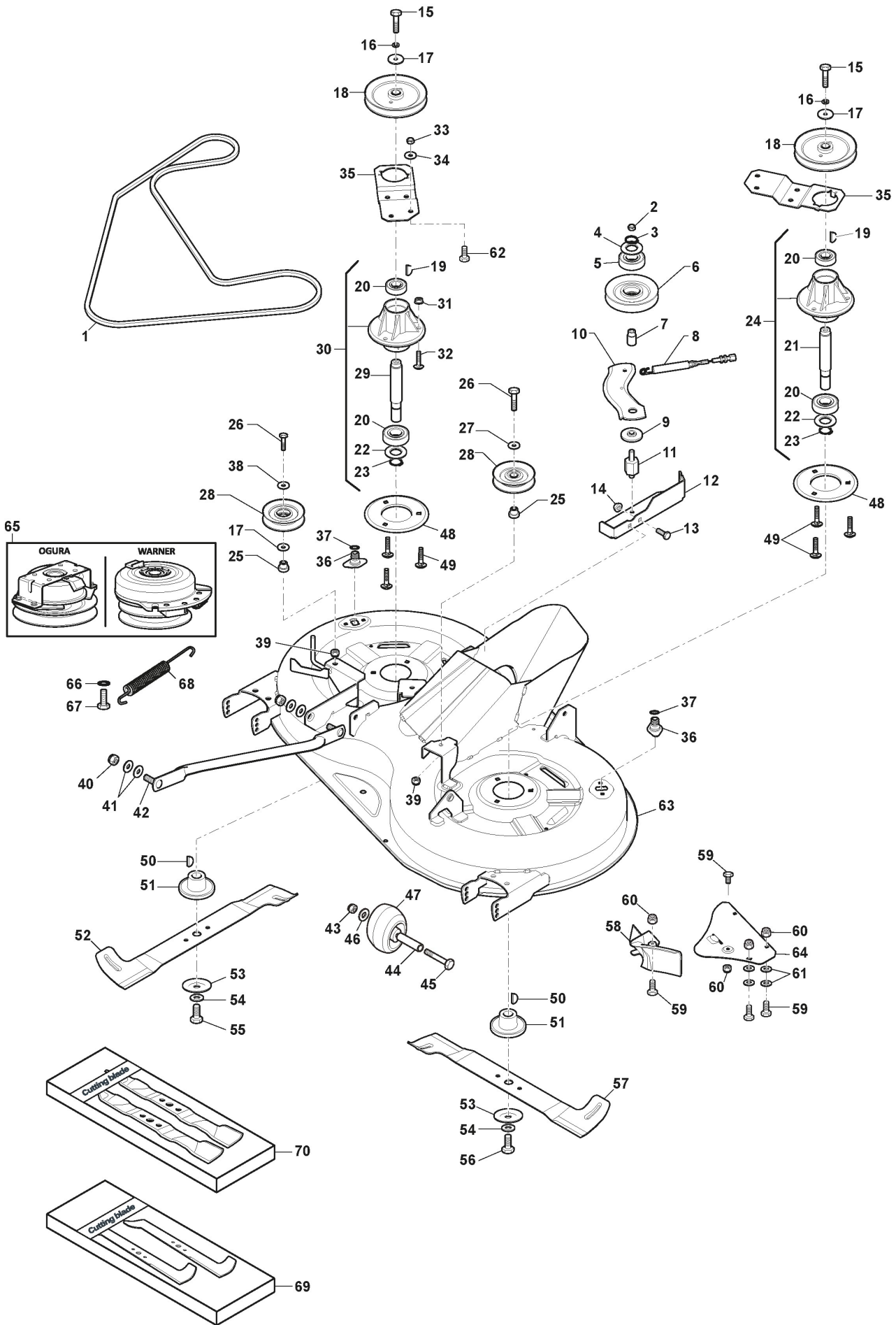
Transmission

Réf. N°	Q.té :	Code article	Description	Articles	De	Jusqu'à
1	1	325110274/0	Couvre Etrier Avant			
2	1	382000574/2	Getriebepedal			
3	1	325110331/0	Couvre Etrier Arriere			
4	2	325785350/0	Support			
5	2	325547231/0	Plaquette			To S/N 20JA3RON 000566
5	2	325547231/1	Plaquette		From S/N 20JA3RON	
6	4	112791213/1	Vis			
7	4	112154510/0	Ecrou			
8	1	327546019/0	Plaquette			
9	2	112735602/0	Vis			
10	2	112540020/0	Rondelle			
11	2	112581100/0	Grower			
12	2	112290791/0	Ecrou			
14	1	1139-2201-01	Kit, Ventilateur Poulie			
15	1	382000573/1	Tige			
16	2	325670011/0	Rondelle Antifriction			
17	1	112000940/0	Anneau Benzing			
18	1	112523040/0	Rondelle			
19	1	112154510/0	Ecrou			
21	4	112691600/0	Vis			
22	4	112521350/0	Rondelle			
23	1	118400921/0	Axe Arriere (Hydro-Gear T2-Adbf-2X3C-1Rx1)			
24	4	112155000/0	Ecrou			
25	2	325670026/0	Rondelle			
26	1	325785349/1	Support			
27	1	112691700/0	Vis			
29	1	112792611/0	Vis			
30	2	112523060/0	Rondelle			
31	2	112155000/0	Ecrou			
32	1	112791213/1	Vis			
33	1	325318251/0	Levier			
34	1	112154510/0	Ecrou			
35	1	325060034/1	Came			
36	2	112735403/0	Vis			
37	1	325774573/0	Etrier			
38	2	112791400/0	Vis			
40	2	112154510/0	Ecrou			
41	2	125670005/2	Rondelle			
42	2	125160058/0	Entretoise			To 31-Decemb er-2020
42	2	125160058/1	Entretoise		From	
43	6	125670005/2	Rondelle			
44	2	112001010/0	Anneau Benzing			
45	2	322110233/0	Couvre Moyeu	Standard Black		
46	2	382680042/0	Ens. Roue			To S/N 20EA3RON
46	2	382680092/0	Ens. Roue 18"		From S/N 20EA3RON 001134	
47	2	125950000/0	Vanne			
49	2	118203851/0	Capot			



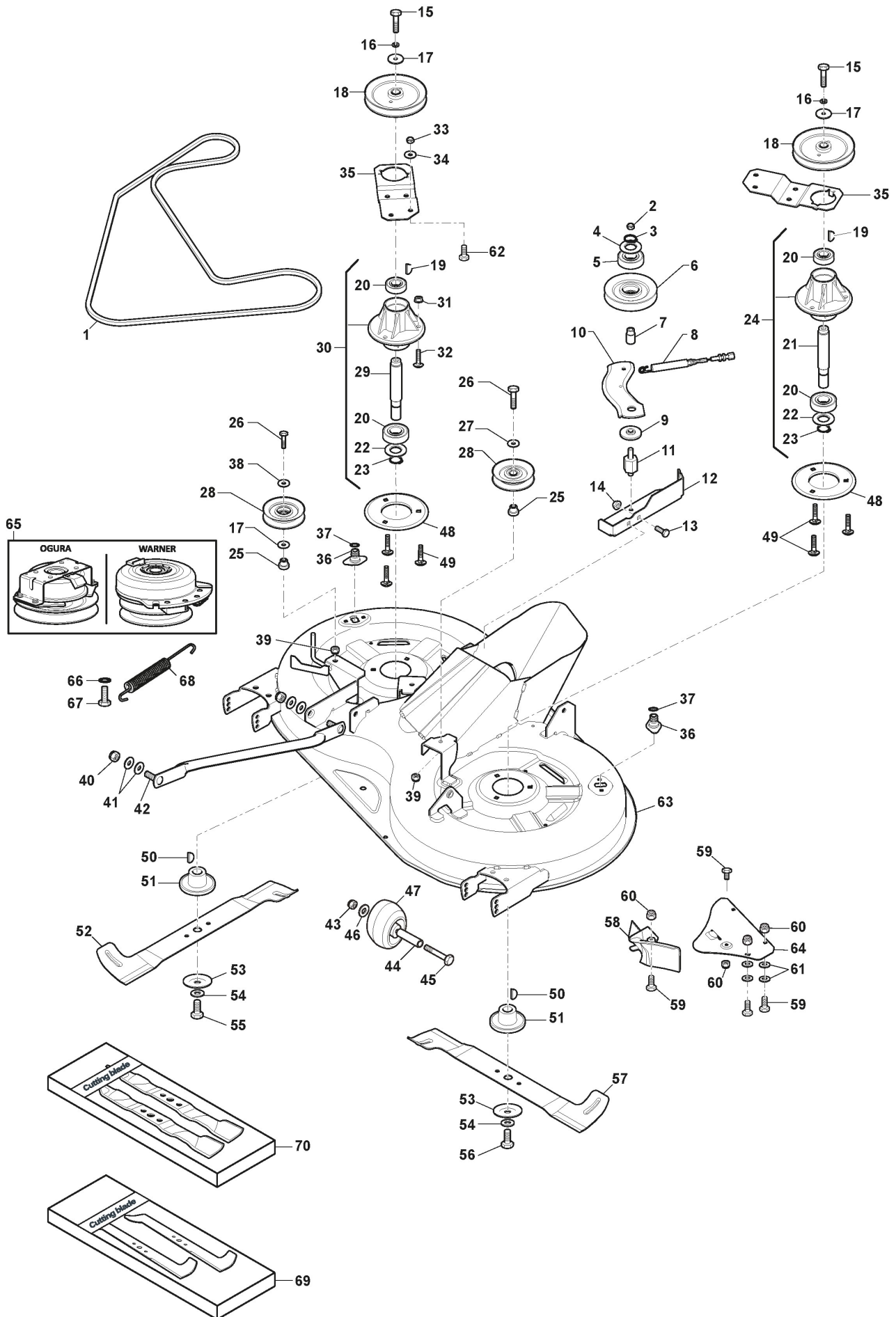
Soulevement Plateau De Coupe

Réf. N°	Q.té :	Code article	Description	Articles	De	Jusqu'à
1	1	325394533/0	Poignée			
2	1	382318255/0	Levier			
3	1	382318231/0	Axe			To S/N 20JA3RON
3	1	382318231/1	Ens. Axe de levage de plaque		From S/N 20JA3RON	003034
4	1	112674700/0	Vis			
5	1	125430261/0	Ressort			
6	1	112154510/0	Ecrou			
7	2	325038006/0	Douille			
8	1	325785297/0	Support			
9	2	125943009/0	Vis			
10	1	325735515/0	Secteur Direction			
11	2	125943009/0	Vis			
12	1	112793701/0	Vis			
13	1	125040636/1	Douille			
14	1	125601579/0	Poulie			
15	1	382004620/0	Fil			
16	1	112523060/0	Rondelle			
17	1	112293201/0	Ecrou			
21	1	382318297/0	Axe			To S/N 19FA3RON
21	1	382318297/1	Axe		From S/N 19FA3RON	000412
22	4	112735599/0	Vis			
23	2	325547231/0	Plaquette			To S/N 20JA3RON
23	2	325547231/1	Plaquette		From S/N 20JA3RON	000567
24	1	124487997/0	Goupille			
26	2	325670010/0	Rondelle Antifriction			
27	1	125033109/0	Tige De Connexion			
28	1	325670010/0	Rondelle Antifriction			
29	1	382318293/0	Axe			To S/N 19FA3RON
29	1	382318293/1	Axe		From S/N 19FA3RON	000061
30	1	124487997/0	Goupille			
31	1	325547231/0	Plaquette			To S/N 20JA3RON
31	1	325547231/1	Plaquette		From S/N 20JA3RON	000566
32	2	112735599/0	Vis			
34	3	325670008/1	Rondelle			
35	3	125510107/1	Pivot			To S/N 19KA3RON
35	3	125510170/0	Pivot		From S/N 19KA3RON	005043
36	3	112156602/0	Ecrou			
37	3	112295200/0	Ecrou			
38	1	125840012/0	Tirant			To S/N 20BA3RON
38	1	125840012/1	Tirant		From S/N 20BA3RON	001428
39	3	325670008/1	Rondelle			
41	3	124487998/0	Goupille			
43	3	112156602/0	Ecrou			
44	6	112521360/0	Rondelle			



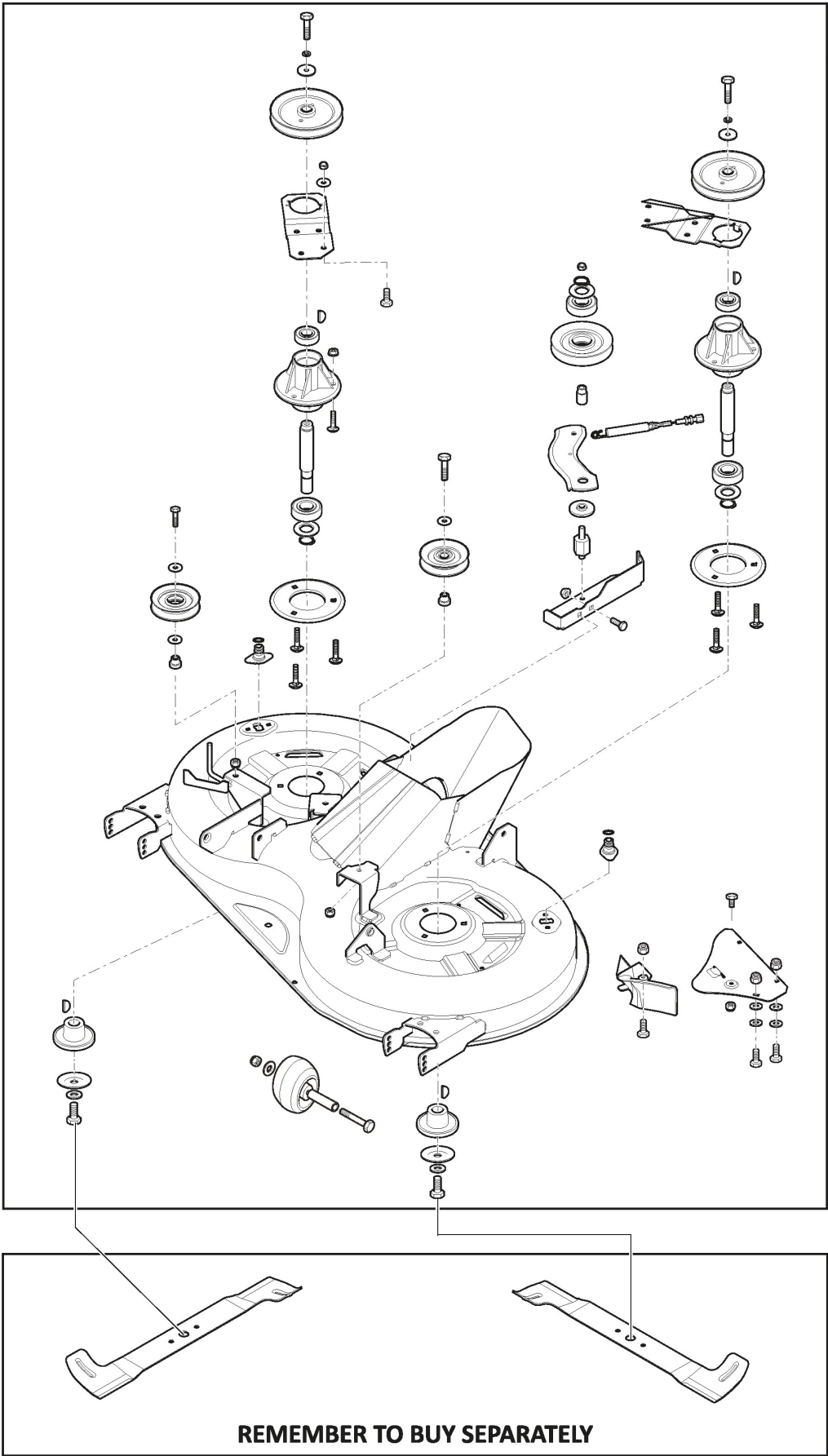
Plateau De Coupe avec Embrayage Electromagnétique

Réf. N°	Q.té :	Code article	Description	Articles	De	Jusqu'à
1	1	135061509/0	Courroie			
2	1	112293201/0	Ecrou			
3	1	112524010/0	Rondelle			
4	1	112610800/0	Anneau Ressort			
5	1	119216041/0	Roulement			To 31-August- 2018
5	1	119216048/0	Roulement		From	
6	1	125601595/0	Poulie			
7	1	125160052/0	Entretoise			
8	1	382004618/0	Fil			
9	1	125040635/0	Douille			
10	1	325318343/0	Levier			
11	1	125160049/0	Entretoise			
12	1	325785391/0	Etrier			
13	2	112818690/0	Vis			
14	2	112154210/0	Ecrou			
15	2	112793102/0	Vis			
16	2	112540260/0	Rondelle			
17	2	125670007/0	Rondelle			
18	2	125601604/0	Riemenscheibe			
19	2	112139480/0	Clavette			
20	4	119216040/0	Roulement			To 31-August- 2018
20	4	119216047/0	Roulement		From	
21	1	125020804/0	Arbre Lame			
22	2	325160501/0	Protege-Poussiere			To
22	2	325160501/1	Protege-Poussiere		From	
23	2	112609260/0	Seeger		01-January- 2019	
24	1	382207204/1	Ensamble Bride			
25	2	125160082/0	Entretoise			To S/N
25	2	125160110/0	Entretoise		From S/N 19FA3RON 000413	
26	2	112691115/0	Vis			
27	2	112524010/0	Rondelle			
28	2	125601613/0	Poulie	(Plastic)	From S/N	
28	2	325601599/0	Poulie	(Steel)		To S/N 21KA3RON 000770
29	1	125020805/0	Arbre Lame, Droite			
30	1	382207205/1	Ensamble Bride			
31	6	112154210/0	Ecrou			
32	6	112818690/0	Vis			
33	1	112154210/0	Ecrou			
34	1	112523060/0	Rondelle			
35	1	325774617/0	Renforcement			
36	2	325033086/0	Raccord Tuyau D'Eau			
37	2	119035000/0	Joint Or			
38	1	112523060/0	Rondelle			
39	3	112293201/0	Ecrou			
40	4	112156602/0	Ecrou			
41	8	325670008/1	Rondelle			
42	2	382000565/0	Tige Balancier			To 31-August- 2016
42	2	382000565/1	Tige Balancier		From 01-Septem	



Plateau De Coupe avec Embrayage Electromagnétique

Réf. N°	Q.té :	Code article	Description	Articles	De	Jusqu'à
43	2	112293201/0	Ecrou			
44	2	125160072/0	Entretoise			
45	2	112692100/0	Vis			
46	2	112521350/0	Rondelle			
47	2	182700005/0	Roulettes Antiscalp Ø 90			
48	2	325160505/0	Disque			
49	6	112818700/0	Vis			
50	2	112139100/0	Langnette			
51	2	1134-9159-01	Moyeu Lame	with STIGA Pack		
51	2	125463200/0	Moyeu Lame	without Pack		
52	1	182004362/0	Lame Droit, Aillettee	Winged		
52	1	182004364/0	Lame Droit Mulching	Mulching		
53	2	122160400/0	Disque Elastique			
54	2	112523080/0	Rondelle			
55	1	112735695/1	Vis			
56	1	112735694/0	Vis			
57	1	182004346/0	Lame Gauche Mulching	Mulching		
57	1	182004363/0	Lame Gauche, Aillettee	Winged		
58	1	325140111/0	Deflecteur			
59	3	112791213/1	Vis			
60	6	112154510/0	Ecrou			
61	4	112523040/0	Rondelle			
62	1	112793102/0	Vis			
63	1	382564118/0	Plateau De Coupe Noir			
64	1	325785509/0	Support de déflecteur			
65	1	118399069/0	Friction	Warner (alternative as spare)		
65	1	118399075/1	Friction	Ogura (original on the machine)		
66	1	112543000/0	Rondelle			
67	1	112737320/0	Vis			
68	1	125430277/0	Ressort			To
68	1	125430277/1	Ressort		From 01-Septem ber-2021	
69	1	1134-9226-01	Lames, Aillettee	Stiga packed into 182004362/0 + 182004363/0		
70	1	1134-9234-01	Lames, Mulching	Stiga packed into 182004364/0 + 182004346/0		

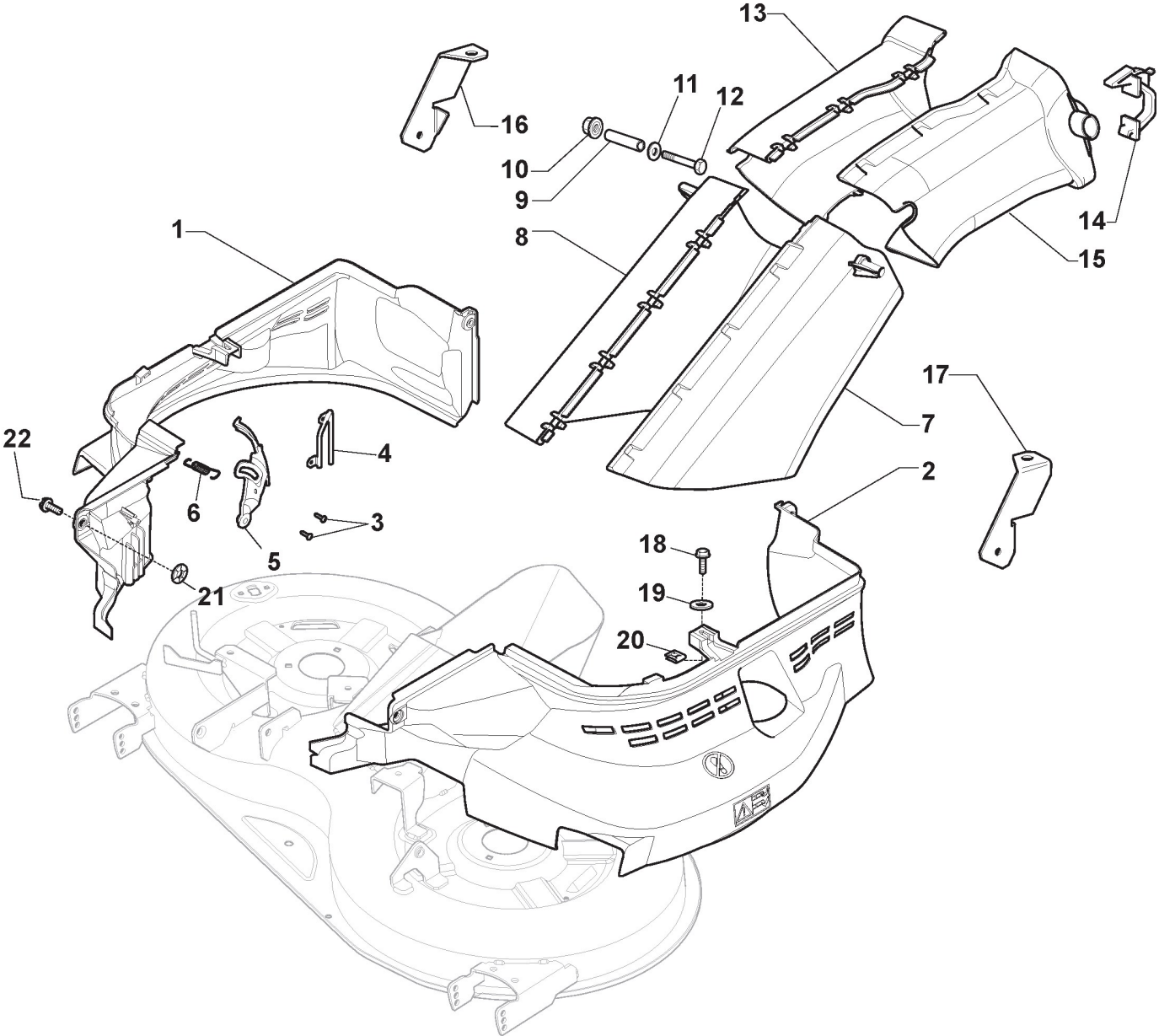


1

REMEMBER TO BUY SEPARATELY

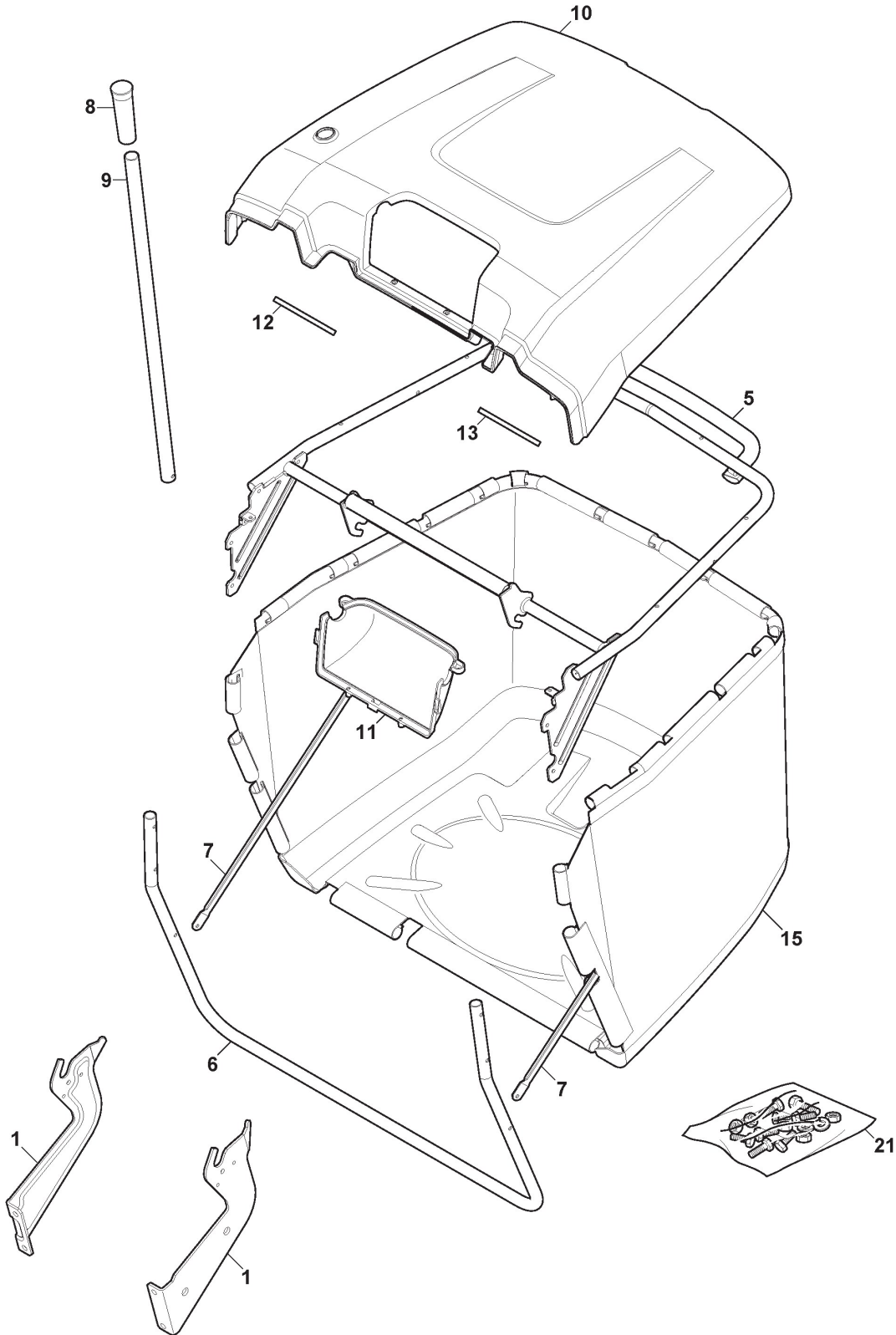
Schneidwerkzeug Set - MP98

Réf. N°	Q.té :	Code article	Description	Articles	De	Jusqu'à
1	1	382565109/0	Ens. Plateau De Coupe Noir	Black		



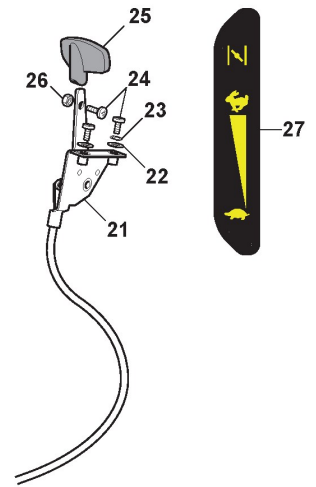
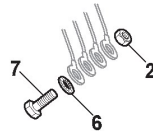
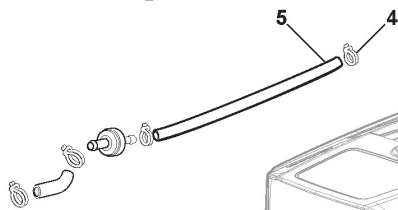
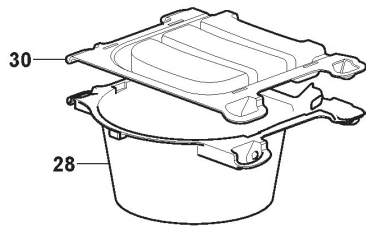
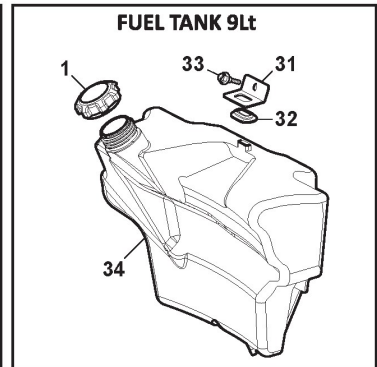
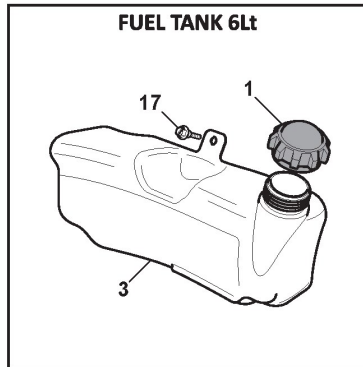
Protections Courroie

Réf. N°	Q.té :	Code article	Description	Articles	De	Jusqu'à
1	1	325060174/0	Convoyeur			
2	1	325060175/0	Convoyeur			
3	2	112735110/0	Vis			
4	1	382270309/0	Steigbügel			
5	1	325547346/0	Etrier			
6	1	125430213/0	Ressort			
7	1	325108065/0	Convoyeur			
8	1	325108064/0	Convoyeur			
9	2	125160071/0	Entretoise			To S/N 19LA3RON 007423
9	2	125160109/0	Entretoise		From S/N 19LA3RON	
10	2	112154510/0	Ecrou			
11	2	112521340/0	Rondelle			
12	2	112792425/0	Vis			
13	1	325108056/0	Convoyeur			
14	2	325774499/0	Etrier			
15	1	325108057/0	Convoyeur			
16	1	325774527/0	Etrier			
17	1	325774529/0	Etrier			
18	2	112789008/0	Vis			
19	2	112523020/0	Rondelle			
20	2	112437503/0	Plaquette			
21	4	112604899/0	Fixateur A Couronne			
22	4	125943011/0	Vis			

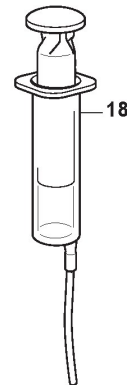
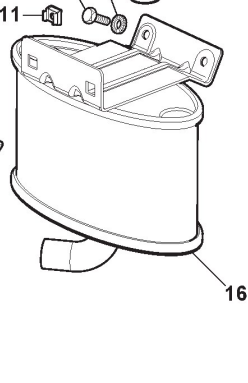
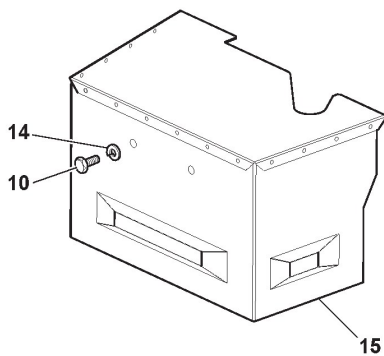
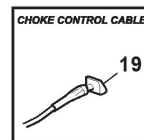
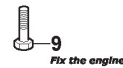
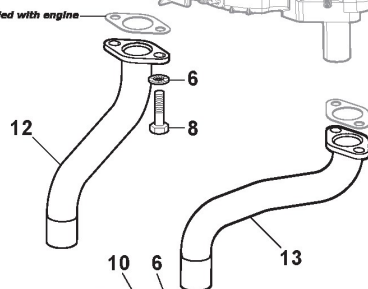


Bac

Réf. N°	Q.té :	Code article	Description	Articles	De	Jusqu'à
1	1	382785289/1	Ens. Support			
5	1	382800139/0	Chassis Superieur			
6	1	382800141/0	Chassis Avant			
7	2	325650149/0	Renforcement			
8	1	125394508/0	Poignée			
9	1	325869087/1	Tige			
10	1	325110431/1	Couvre-Bac Rouge	Light Red		
10	1	325110436/0	Couvre-Bac Noir			
10	1	325110439/1	Couvre-Bac Jaune			
10	1	325110447/0	Couvre-Bac Vert			
10	1	325110479/0	Couvre-Bac Rouge	Dark Red		
11	1	325207195/0	Couvre-Poignee			
12	1	125270802/0	Garniture			
13	1	125270803/0	Garniture			
15	1	182105947/0	Bac	Black without Logo		
21	1	382180123/0	Dotation Visserie			



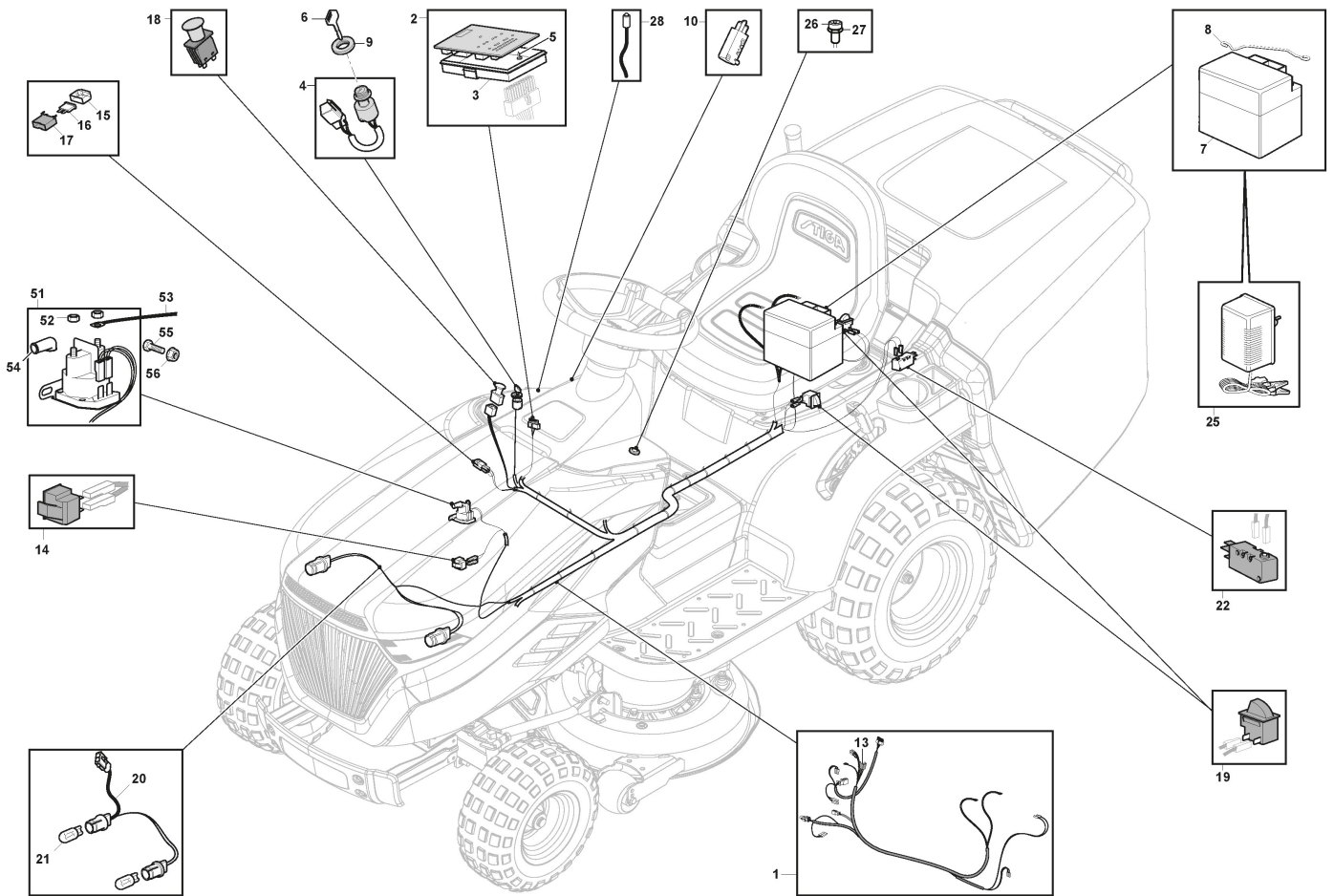
Supplied with engine



Fixing lamp Cable at side of frame due to exhaust pipe

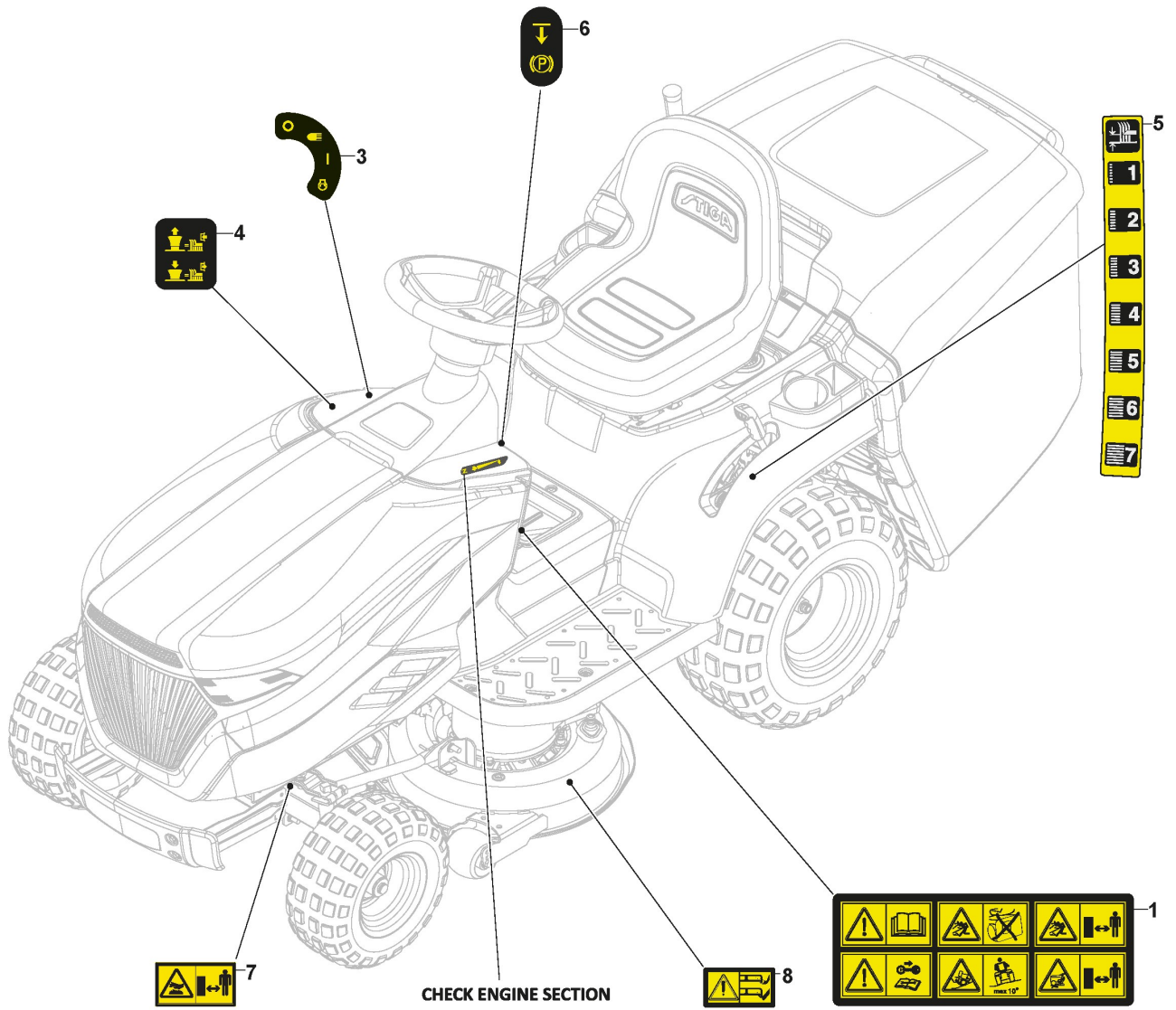
Moteur - STIGA 17-19-21Hp

Réf. N°	Q.té :	Code article	Description	Articles	De	Jusqu'à
1	1	125795001/1	Bouchon			
2	1	112154210/0	Ecrou			
3	1	325735126/1	Reservoir	6Lt		
4	2	118375051/1	Fixation De Cable			
5	1	325869057/0	Tube De Connexion			
6	7	112540260/0	Rondelle			
7	3	112691115/0	Vis			
8	3	112726389/0	Vis			
9	4	112735108/1	Vis			
10	2	112792611/0	Vis			
11	4	112360425/0	Ecrou			
12	1	118738278/0	Tube de raccordement d'échappement droit			
13	1	118738279/0	Tube de raccordement d'échappement gauche			
14	2	112583500/0	Grower			
15	1	382598077/0	Protection Silencieux			
16	1	182750003/0	Ens. Silencieux			
17	4	125943010/0	Vis			
18	1	118718000/0	Seringue Vidange			
19	2	125090003/0	Commande Starter			
20	5	133320022/0	Fastpoint Clamp			
21	1	182000221/0	Accelérateur			
22	2	112521310/0	Rondelle			
23	2	112540020/0	Rondelle			
24	3	112726389/0	Vis			
25	1	325394531/0	Poignée			
26	1	112290800/0	Ecrou			
27	1	114364617/0	Etiquette			
28	1	325108112/0	Convoyeur	if needed		
29	2	133320027/0	Cable			
30	2	325263318/0	Grille D'Aspiration	Black		
31	1	325755085/0	Equerre			
32	1	325260005/0	Caoutchouc			
33	4	127943051/0	Vis			
34	1	325735132/0	Réservoir à carburant	9Lt		



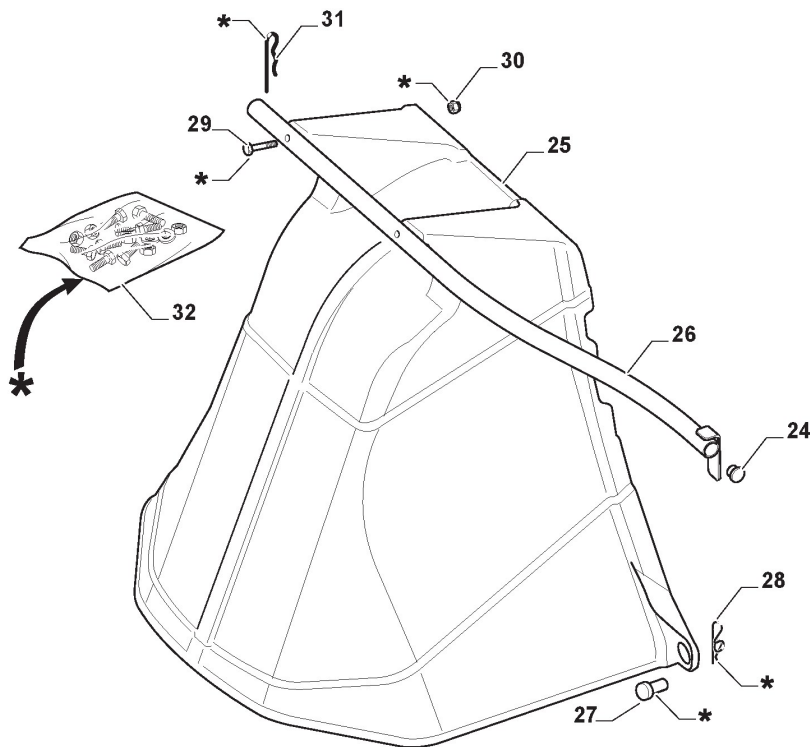
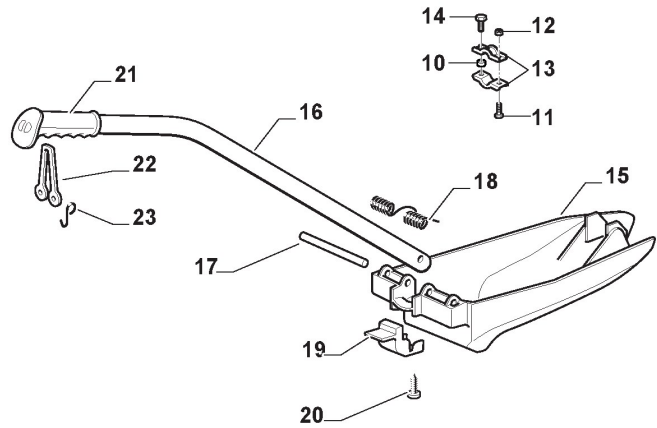
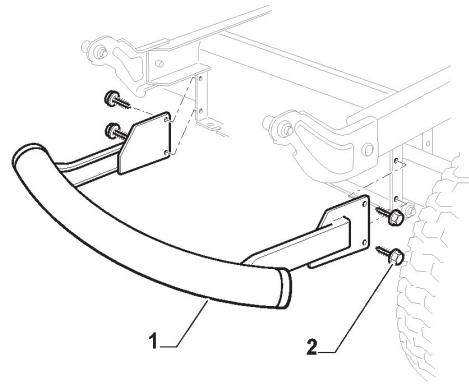
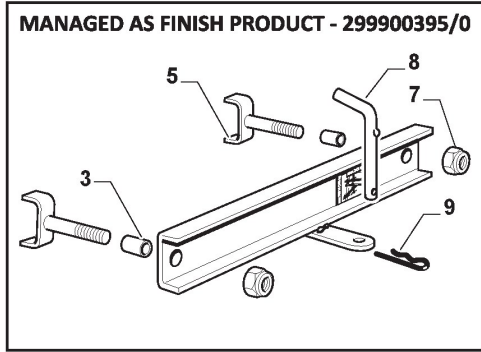
Parties Electriques

Réf. N°	Q.té :	Code article	Description	Articles	De	Jusqu'à
1	1	182040199/1	Ens. Cablages			
2	1	382722444/1	Carte Electronique	LS marked		To S/N
2	1	382722472/0	Carte Electronique		From S/N 21KA3RON 002825	
3	1	325600090/1	Protection De Carte			
4	1	118450075/1	Interrupteur Demarrage			
5	3	112727810/0	Vis			
6	1	118210023/0	Clef A Demarrage			
7	1	118120007/0	Batterie			
8	1	125430265/1	Ressort			
9	1	118400863/0	Manchon Expansible			
10	1	119410609/1LC	Microinterrupteur			
13	1	133567000/0	Relais	Only for Honda Engines		
14	1	119410623/0	Microinterrupteur			
15	2	133215000/0	Couvercle			
16	2	133340036/0	Fusible 25 A	25A		
16	2	133340040/0	Fusible 10 A	10A		
17	2	133500007/0	Tableau De Fusible			
18	1	118450073/0	Interrupteur Embrajage	Yellow		
18	1	118450074/0	Interrupteur Embrajage	Red		
19	2	119410622/1	Microinterrupteur			
20	1	182040186/0	Cables	For Lamp Version		
21	2	118459100/0	Ampoule De Phares	Only with Lamp Light		
22	1	119410605/1	Microinterrupteur			
25	1	182180090/0	Chargeur De Batteries 12V 1A - CE Plugg	CE Plug		To 31-Decemb
25	1	182180190/0	Kit de chargeur de batterie UK-CE	CE + BS Plug	From 01-January- 2022	
26	1	325605003/0	Bouton D'Entrée Inverse			
27	2	325256250/0	Embout			
28	1	182040174/0	Cablages	LED cable for alarm on dashboard		
51	1	118736112/0	Solenoid			
52	2	112361005/0	Ecrou			
53	1	125065002/0	Cable			
54	1	118564864/1	Capuchon			
55	1	112790781/0	Vis			
56	2	112154510/0	Ecrou			



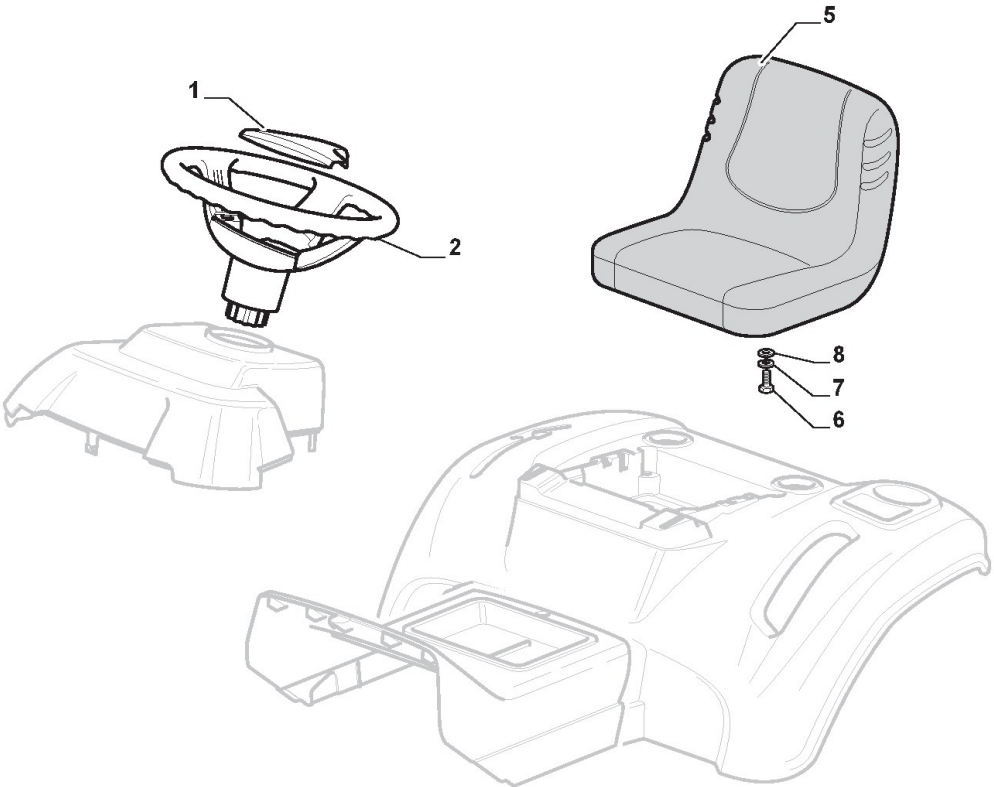
Etiquettes

Réf. N°	Q.té :	Code article	Description	Articles	De	Jusqu'à
1	1	114361553/1	Étiquette D'Avertissement			
3	1	114363699/0	Etiquette			
4	1	114361438/0	Etiquette			
5	1	114363701/0	Etiquette			To
5	1	114366142/0	Etikett		From	
6	1	114363700/0	Etiquette		01-Septem	
7	1	114364961/3	Etiquette		ber-2014	
8	1	114356699/1	Etiquette De Plaque De Danger			



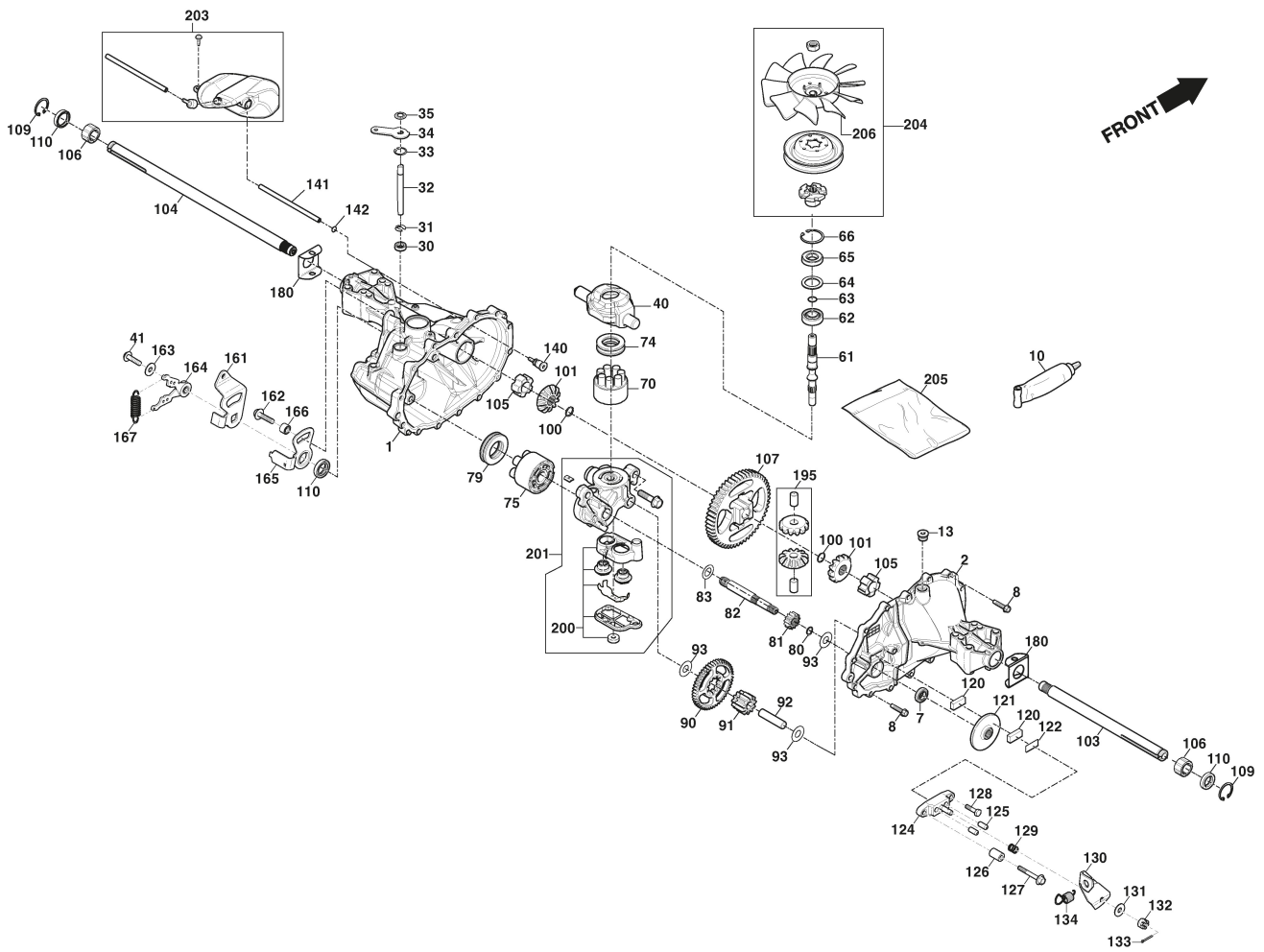
Accessoires Sur Demande

Réf. N°	Q.té :	Code article	Description	Articles	De	Jusqu'à
1	1	382869038/0	Protection Silencieux			
2	4	112735599/0	Vis			
3	2	125160074/0	Entretoise			To S/N 19JA3RON 001409
3	2	125160108/0	Entretoise		From S/N 19JA3RON	
5	2	382650211/0	Renforcement			
7	2	112155000/0	Ecrou			
8	1	125510021/1	Pivot			
9	1	124487999/0	Goupille			
10	1	122170600/0	Entretoise			
11	1	112792099/0	Vis			
12	3	112292102/0	Ecrou			
13	2	327546015/2	Plaquette			
14	1	112791400/0	Vis			
15	1	325140112/0	Deflecteur			
16	1	325394021/0	Guidon			
17	1	125510077/0	Pivot			
18	1	125430245/0	Ressort			
19	1	325547414/0	Plaquette			
20	1	112735403/0	Vis			
21	1	325280000/1	Branche			
22	1	125840011/1	Tirant			
23	2	125253004/0	Crochet Fixage Kit Mulching			
24	2	118566112/0	Bouchon Tube Guidon			
25	1	325600093/0	Protection Sortie			To
25	1	325600093/1	Protection Sortie		From 01-Septem ber-2017	
26	1	382869044/0	Support			
27	2	125510022/1	Pivot			
28	2	124487998/0	Goupille			
29	2	112689515/0	Vis			
30	2	112154510/0	Ecrou			
31	1	124487999/0	Goupille			
32	1	382180028/0	Dotation Visserie			



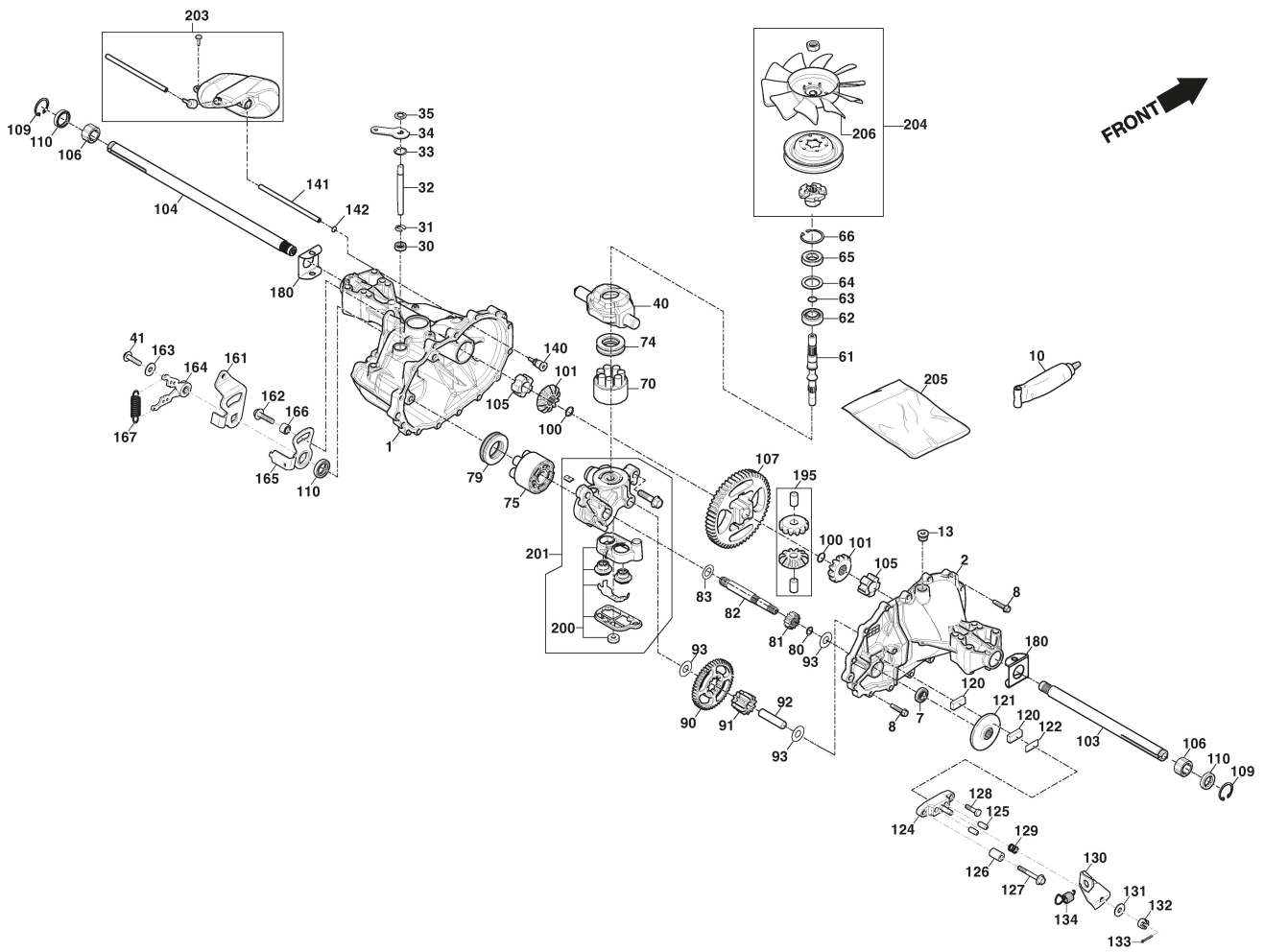
Siege & Volant

Réf. N°	Q.té :	Code article	Description	Articles	De	Jusqu'à
1	1	325580503/0	Plaque Volant			
2	1	325961219/0	Volant			
5	1	125722463/0	Siege			To
5	1	125722483/0	Siege		From	31-August-2017
6	4	112792611/0	Vis			
7	4	112540260/0	Rondelle			
8	4	112523060/0	Rondelle			



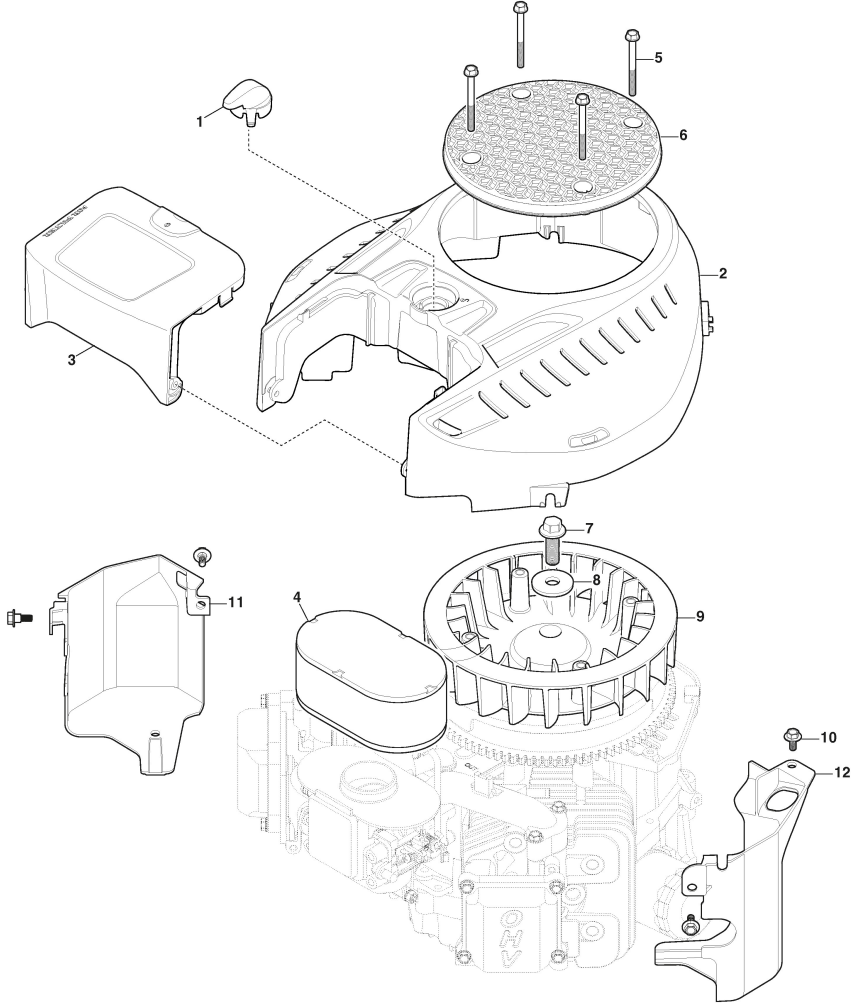
Groupe Transmission, Hydro-Gear T2-ADBF-2X3C-1RX1

Réf. N°	Q.té :	Code article	Description	Articles	De	Jusqu'à
1	1	118870120/0	Carter Principal			
2	1	118870121/0	Carter Latérale			
7	1	118870111/0	Garniture			
8	14	1139-2042-01	Vis			
10	1	1139-2022-01	Sealant			
13	1	1139-2010-01	Plug			
30	1	118870079/0	Garniture			
31	1	118870081/0	Anneau Ressort			
32	1	1139-2203-01	Tige			
33	1	118870080/0	Anneau Ressort			
34	1	118870091/0	Levier			
35	1	118870082/0	Anneau Ressort			
40	1	118870090/0	Plateau Oscillant			
41	1	118870083/0	Vis			
61	1	118870092/0	Arbre			
62	1	1139-2001-01	Roulement À Billes			
63	1	1139-2003-01	Wire Retaining Ring			
64	1	1139-2004-01	Entretoise			
65	1	1139-2000-01	Lip Seal			
66	1	1139-2002-01	Anneau Ressort			
70	1	118870125/0	Ens. de bloc de pompe			
74	1	118870093/0	Roulement			
75	1	1139-2063-01	Cylinder Block			
79	1	1139-2021-01	Thrust Bearing			
80	1	118870070/0	Anneau Ressort			
81	1	118870094/0	Engrenage			
82	1	118870095/0	Arbre			
83	1	118870096/0	Rondelle			
90	1	118870097/0	Engrenage			
91	1	118870098/0	Engrenage			
92	1	118870099/0	Pivot			
93	3	1139-2016-01	Rondelle			
100	2	118870072/0	Anneau Ressort			
101	2	118870063/0	Engrenage			
103	1	118870114/0	Arbre			
104	1	118870113/0	Arbre			
105	2	118870086/0	Douille			
106	2	118870085/0	Douille			
107	1	118870100/0	Engrenage			
109	2	118870084/0	Anneau Ressort			
110	3	1139-2204-01	Arbre			
120	2	118870066/0	Tapis de frein			
121	1	118870101/0	Frein			
122	1	118870067/0	Support, Tapis de frein			
124	1	118870119/0	Etrier de Frein			
125	2	118870069/0	Pivot			
126	1	118870062/0	Entretoise			
127	1	118870077/0	Vis			



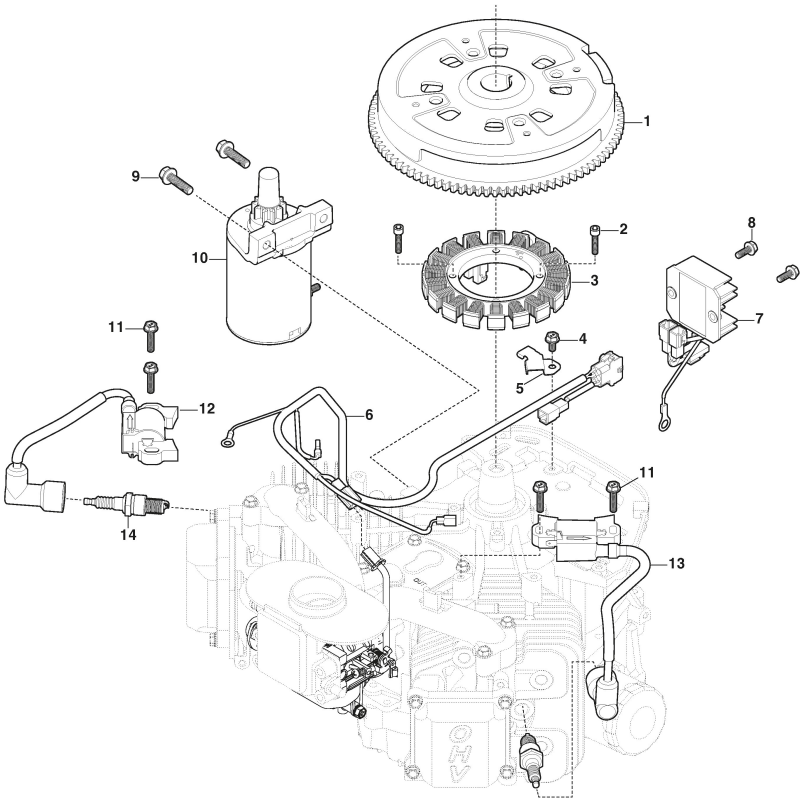
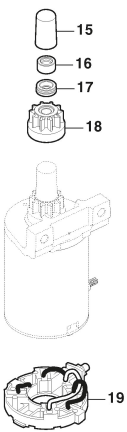
Groupe Transmission, Hydro-Gear T2-ADBF-2X3C-1RX1

Réf. N°	Q.té :	Code article	Description	Articles	De	Jusqu'à
128	1	118870071/0	Boulon			
129	1	118870076/0	Ressort			
130	1	118870088/0	Levier De Frein			
131	1	1139-2011-01	Rondelle			
132	1	118870068/0	Ecrou			
133	1	118870065/0	Pivot			
134	1	118870078/0	Ressort			
140	1	1139-2038-01	Fitting			
141	1	118870102/0	Tube			
142	1	1139-2075-01	O-Ring			
161	1	118870103/0	Levier			
162	1	1139-2026-01	Boulon			
163	1	1139-2011-01	Rondelle			
164	1	118870107/0	Ens. Levier			
165	1	118870108/0	Levier			
166	1	118870104/0	Douille			
167	1	118870089/0	Ressort			
180	2	118870112/0	Plaquette			
195	1	118870126/0	Kit-Engrenage + Pivot			
200	1	118870123/0	Kit-Filtre			
201	1	118870127/0	Kit-Section centre			
203	1	118870122/0	Kit-Vase d'expansion			
204	1	1139-2201-01	Kit, Ventilateur Poulie			
205	1	118870124/0	Kit-Garniture			
206	1	118870129/0	Ventilateur			



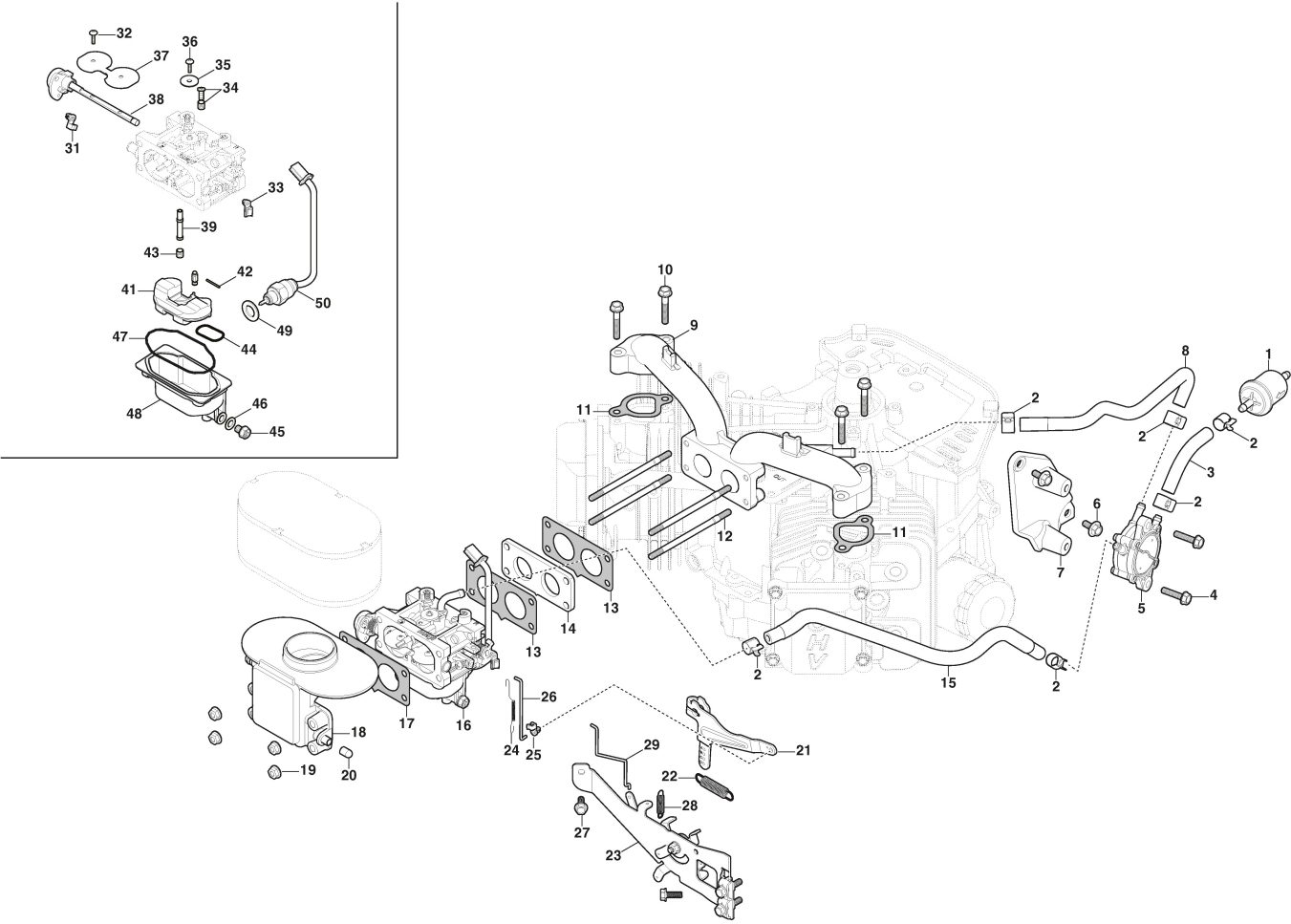
Couvercle de ventilateur, filtre à air

Réf. N°	Q.té :	Code article	Description	Articles	De	Jusqu'à
1	1	118551634/0	Poignée			
2	1	118551637/0	Couvre Moteur			
3	1	118551635/0	Couvercle Filtre Air			
4	1	118551590/0	Filtre À Air			
6	1	118551571/0	Protection			
9	1	118551568/0	Ventilateur			
11	1	118551569/0	Défecteur			
12	1	118551570/0	Défecteur			



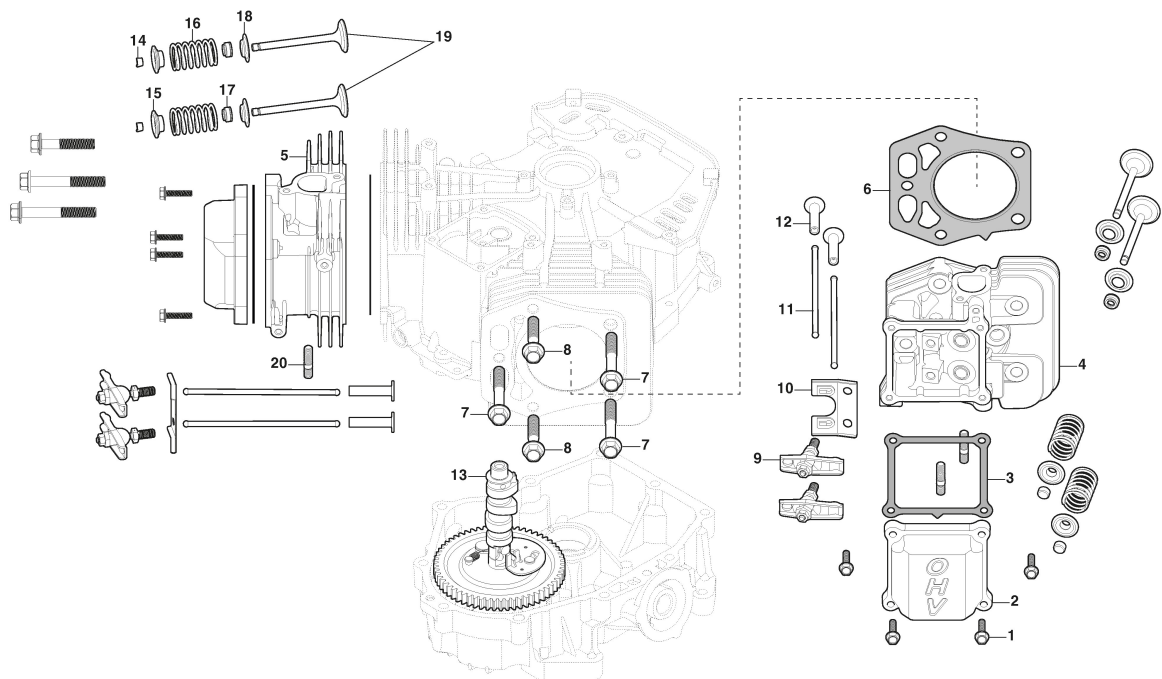
Bobine d'allumage, Démarreur, Volant Moteur

Réf. N°	Q.té :	Code article	Description	Articles	De	Jusqu'à
1	1	118551593/0	Volant Aimant			
3	1	118551594/0	Ens. Bobine, Chargeur			
6	1	118551599/0	Faisceau De Câbles			
7	1	118551596/0	Rectfier			
10	1	118551595/0	Motor Kompl., Anlasser			
12	1	118551598/0	Bobine Électronique			
13	1	118551597/0	Bobine Électronique			
14	2	9400-0289-01	Bougie (Rn9Yc)	RN9YC		
15	1	118552282/0	Bouchon			
16	1	118552283/0	Collier			
17	1	118552284/0	Ressort			
18	1	118552285/0	Pignon			
19	1	118552281/0	Brush Set			



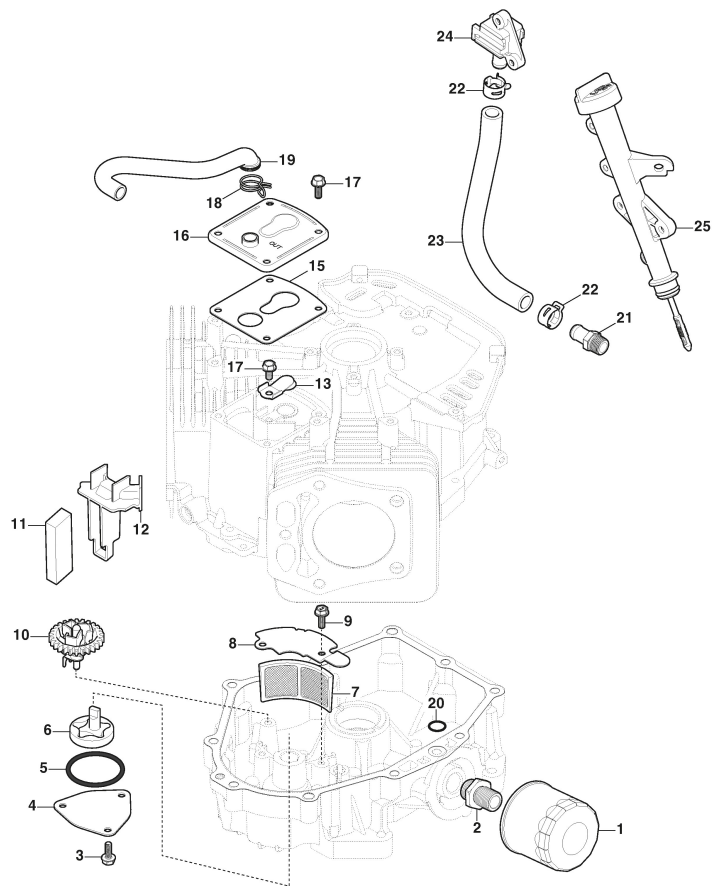
Carburateur, Pompe à Carburant

Réf. N°	Q.té :	Code article	Description	Articles	De	Jusqu'à
1	1	118551572/0	Filtre Carburant			
2	6	118551612/0	Collier			
3	1	118551605/0	Conduite Combustible	130 mm		
4	2	scrw	Vis	M6x25		
5	1	118551578/0	Pompe Essence			
6	2	118551535/0	Boulon	M6x16		
7	1	118551579/0	Etrier			
8	1	118551604/0	Tuyau Soupirlail			
9	1	118551592/0	Collecteur D'Aspiration			
10	4	scrw	Vis	M6x35		
11	2	118551574/0	Joint d'étanchéité			
12	4	118551335/0	Prisonnier			
13	2	118551576/0	Joint d'étanchéité			
14	1	118551577/0	Entretoise			
15	1	118551606/0	Conduite Combustible			
16	1	118551631/0	Carburateur			
17	1	118551575/0	Joint d'étanchéité			
18	1	118551591/0	Base Filter Air			
20	1	118551613/0	Capuchon			
21	1	118551583/0	Ens. Gouverneur Levier			
22	1	118551633/0	Ressort			
23	1	118551586/0	Levier Accélérateur			
24	1	118551582/0	Ressort			
25	1	118551588/0	Butée			
26	1	118551580/0	Lien De Gouverneur			
27	2	scrw	Vis	M6x16		
28	1	118551614/0	Ressort Levier Accél.			
29	1	118551585/0	Tige			
31	1	118551588/0	Butée			
32	4	118552286/0	Vis			
33	1	118552287/0	Clip			
34	2	118552288/0	Jet au ralenti			
35	1	118552289/0	Rondelle			
36	1	118552290/0	Vis			
37	1	118552291/0	Papillon Air			
38	1	118552292/0	Arbre Papillon Air			
39	2	118552293/0	Buse À Jet			
41	1	118552294/0	Float Set			
42	1	118552295/0	Pivot			
43	2	118552305/0	Buse À Jet Réglable			
44	1	118552297/0	Joint d'étanchéité			
45	1	118552298/0	Vis			
46	1	118552299/0	Rondelle			
47	1	118552300/0	Joint d'étanchéité			
48	1	118552301/0	Chamber Set, Float			
49	1	118552302/0	Rondelle			
50	1	118552303/0	Valve Magnétique			



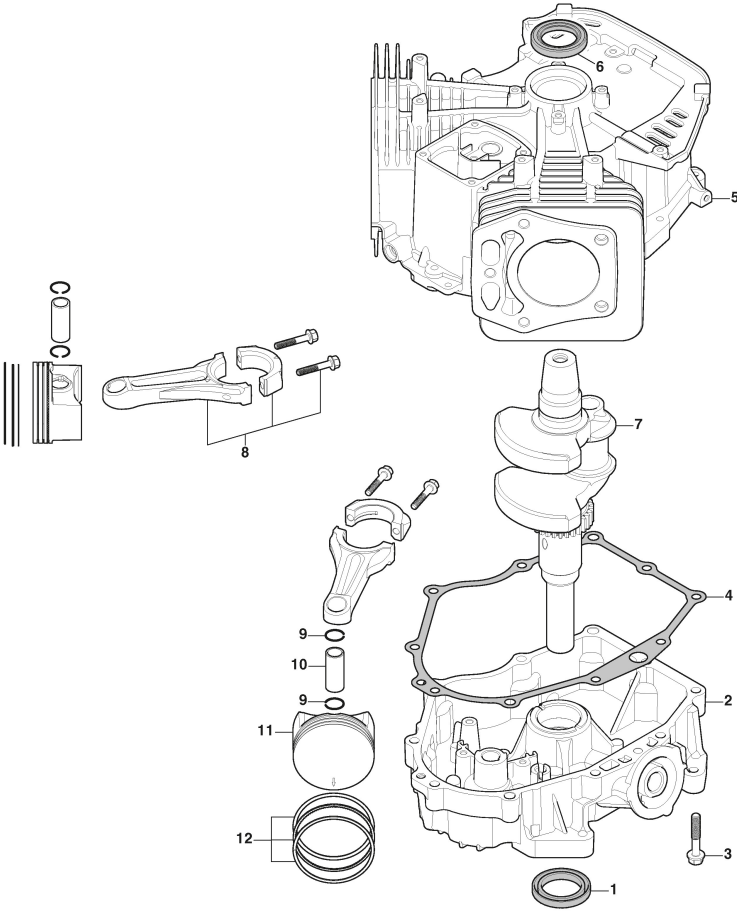
Culasse

Réf. N°	Q.té :	Code article	Description	Articles	De	Jusqu'à
1	8	118551535/0	Boulon	M6x25		
2	2	118551549/0	Cache-Soupapes			
3	2	118551550/0	Joint d'étanchéité			
4	1	118551546/0	Culasse Du Cylindre			
5	1	118551547/0	Culasse Du Cylindre			
6	2	118551627/0	Joint d'étanchéité			
7	6	scrw	Vis	M10×1.25_L=70		
8	4	scrw	Vis	M10×1.25_L=50		
9	4	118551558/0	Ensamble Balancier			
10	2	118551561/0	Plaque			
11	4	118551559/0	Ens. Tige			
12	4	118551560/0	Ventilheber			
13	1	118551556/0	Arbre À Cames			
14	8	118551247/0	Ventil keeper			
15	4	118551246/0	Butée			
16	4	118550529/0	Ressort Soupape			
17	4	118551248/0	Garniture			
18	4	118551245/0	Tournette			
19	2	118551616/0	Ens. Soupape Aspiration + Évacuation			
20	4	118551336/0	Prisonnier			



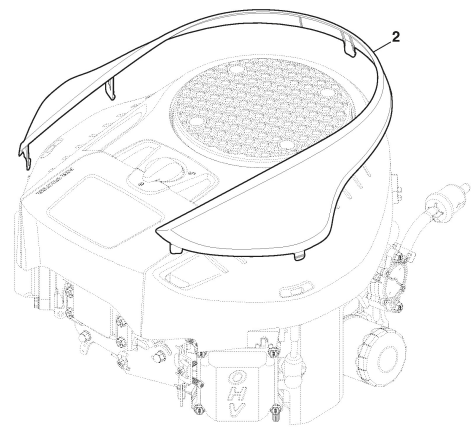
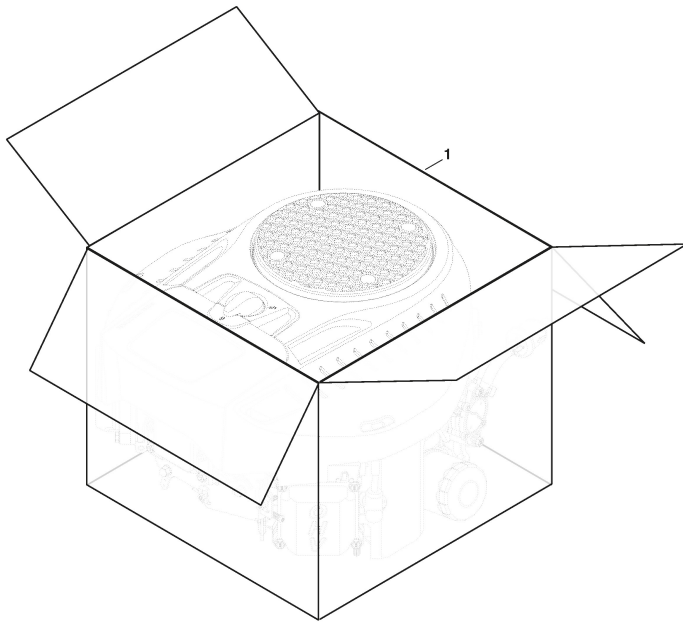
Filtre à l'huile

Réf. N°	Q.té :	Code article	Description	Articles	De	Jusqu'à
1	1	118551566/0	Filtre À Huile			
2	1	118551567/0	Raccord			
3	3	scrw	Vis	M6x16		
4	1	118551563/0	Couvercle Pompe À Huile			
5	1	118551609/0	O- Ring	D=47_d=3.5		
6	1	118551562/0	Rotor			
7	1	118551564/0	Filtre À Huile			
8	1	118551565/0	Couvercle Filtre Air			
9	2	scrw	Vis	M6x16		
10	1	118551587/0	Ens. Régulateur De Vitesse			
11	1	118551589/0	Filtre, Lock			
12	1	118551617/0	Support			
13	1	118551557/0	Vanne			
15	1	118551544/0	Joint d'étanchéité			
16	1	118551543/0	Couvercle			
17	5	scrw	Vis	M6x16		
18	1	118551610/0	Collier			
19	1	118551603/0	Tuyau Soupirlail			
20	1	118551286/0	O Ring	D=11.7_d=2.5		
21	1	118551545/0	Raccord			
22	2	118551611/0	Collier			
23	1	118551607/0	Oil Drain Tube			
24	1	118551618/0	Oil Drain Plug			
25	1	118551539/0	Ensemble Tuyau Niveau Huile			



Piston, Vilebrequin, Carter

Réf. N°	Q.té :	Code article	Description	Articles	De	Jusqu'à
1	1	118551602/0	Anneau De Tenue	d=38_D=62_b=8		
2	1	118551541/0	Carter Moteur			
3	10	scrw	Vis	M8x45		
4	1	118551542/0	Joint d'étanchéité			
5	1	118551628/0	Cylindre			
6	1	118551418/0	Anneau De Tenue	d=35_D=52_b=7		
7	1	118551555/0	Arbre Moteur			
8	2	118551554/0	Ens. Bielle			
9	4	118551600/0	Anneau De Tenue			
10	2	118551552/0	Pointeau Piston			
11	2	118551629/0	Piston			
12	2	118551630/0	Bagues Élastiques			



Moteur, Capot Moteur

Réf. N°	Q.té :	Code article	Description	Articles	De	Jusqu'à
1	1	118551536/0	Moteur Complete			
2	1	325055008/0	Protecteur, Jaune			