

Spare Parts Catalogue

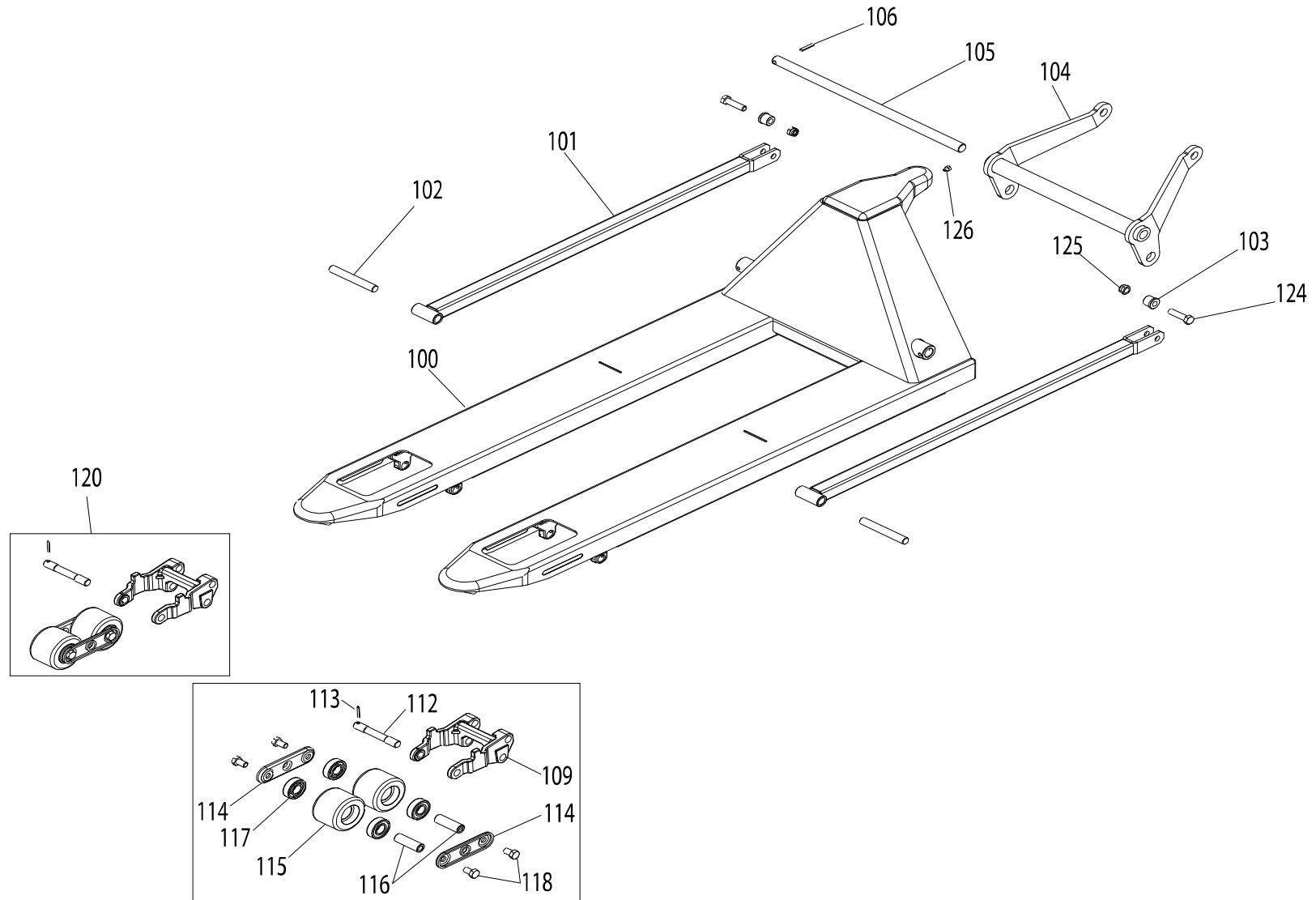
GS 25S4 1150x525 NYLON-NYLON/POLY-

Handling systems | Transpalette manuel

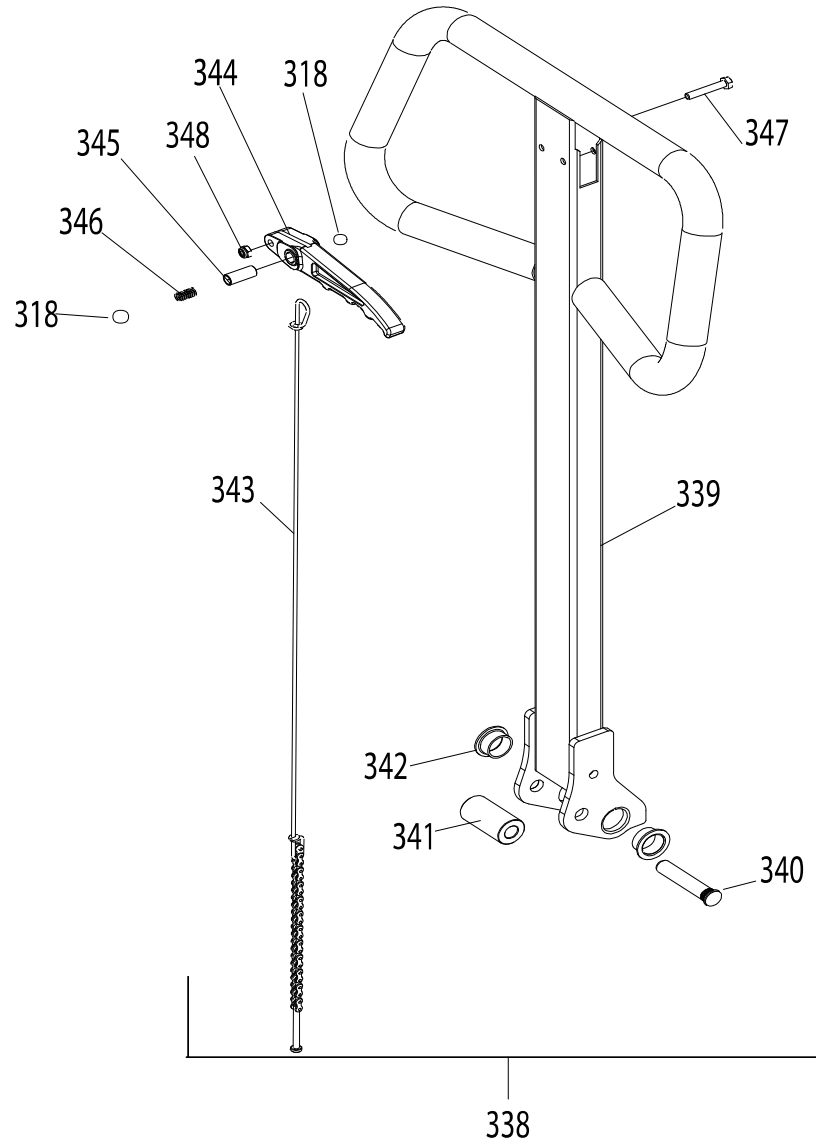
Valid for machine code: **TAB4100Y000**

Revision: **0 (4/2020)**

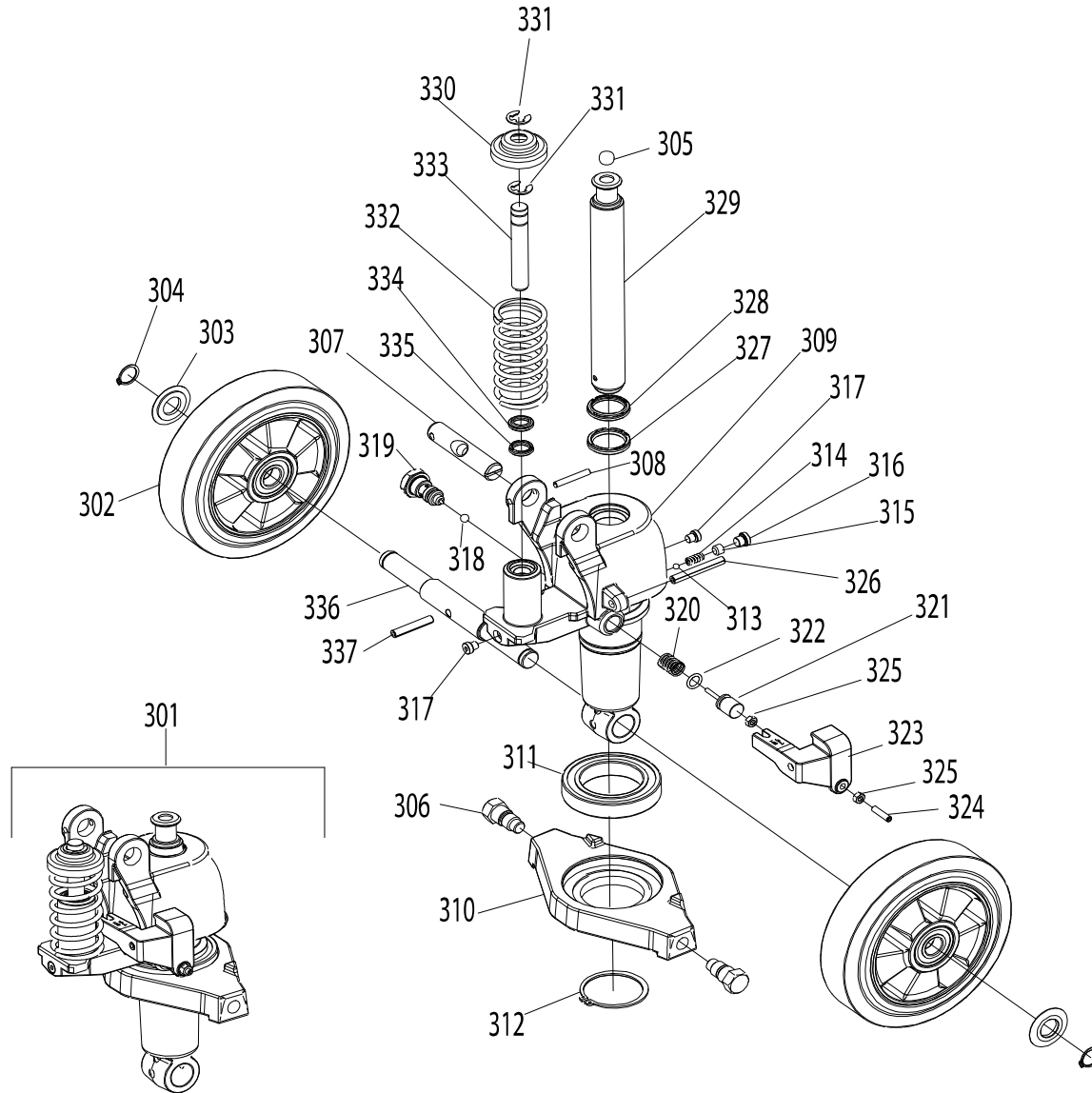
Copyright 2020 Pramac Group, All Rights Reserved.



Position	Part Number	Description	Notes
100	V0001010208-PRAMAC	Chassis Gs 1150 X 525 Vert Pramac Ex Ref:s0001010208	-
101	S0002270525	Bielle De Gs 01 L=1150 25q Ex Ref S0002205296	-
102	S0002205038	Axe De Bielle	-
104	V000003039-9005	Balancier Gs 25 B5=525 Cx12	-
105	S0003015038	Rocker Arm Axle Gs B5=525	-
106	G044304	Elastic Peg 6873 D 6x32	-
107	S0002205040	Axe De Fourche	-
109	S0002201027	Fourche Série Gs Voir Ref P0s200001	-
112	S0002205039	Axe De Galet	-
113	G044307	Elastic Peg 6873 D 4x30	-
114	S000003005	Porte Tandem Gs Ex S0012501001	-
115	G056202	Polyurethane Roller D82x60	-
	G056301	Injected Polyurethane Roller D82x60	-
	G056601	Rouleau Nylon Couleur Noire D82x60 '07 Gs Basic	-
	S0002010132	Galet Tandem Nylon Pour Gs Standard 82x60	-
	S0012030091	Roller Tandem Nylon Ø82x60 + Clevis Gs	-
116	S0012035029	Entretoise De Boogie Pour Gs/haute Levée/surbaissé	-
117	G010207	Roulement 6204 2rs (20-47-14) Voir Ref : G010401	-
118	G020272	Vis De Galet Tandem 5739 65 8.8 M12x20 Zn	-
120	S0012030091	Roller Tandem Nylon Ø82x60 + Clevis Gs	-
124	G020501	Vis M12/45 Zn Ex Refg022223	-
125	G034405	Dado Basso Autobl. 7474 M12 Zn	-
126	G023300	Vis Trilobulaire Te M6x8 Uni 8111 Fixation Du Verin Au Chassis Gs	-



Position	Part Number	Description	Notes
318	G016104	Bille De Soupape Hxball 5/16" (7,938mm) Voir G016121	-
338	S000034022	Timon Complet Gs Basic	-
339	S000034026	Machined Tiller Black Ral 9005 Gs Basic	-
340	S000034012	Pumping Roller Pin Gs	-
341	S000034013	Pumping Roller Gs	-
342	G016306	Bague Autolubrifiante 20x23x12	-
343	S000034008	Tie Rod + Chain + Pin Gs	-
344	S0004018006	Poignée De Timon Gs	-
345	S0004036022	Entretoise De Poignée De Gs	-
346	G001126	Ressort De Poignée De Gs-hx	-
347	G022006	Vis Th 5739 65 8.8 M6x35 Zn	-
348	G034404	Ecrou Bas De Securite 7473 M 6 Zn	-



Position	Part Number	Description	Notes
301	S000034045	Groupe Hydraulique Gs Basic 2500kg	-
302	P0RU00014	Roue Poly l./nylon D200x45 Gs Ex S000017003 S000007022 S000007036	-
303	G091101	Garde-poussiere Roues Tp 47x20 Sp3.9 Tellure	-
304	G042120	Bague D'arrêt 7435 E 20	-
305	G016103	Bille 9/16" (mm14,288) Ball 2	-
306	S000003302	Cross Screw Gs	-
307	S000034011	Axe De Fixation Bas De Timon Gs	-
308	G044342	Prise Elastique Spirol Bas De Timon Gs 8748 D 6x40	-
309	S000034000	Machined Pump Body Black Ral 9005 Gs	-
310	S000034007	Machined Cross Black Ral 9005 Gs	-
311	G010220	Roulement 6012 Rs(60-95-18)	-
312	G042160	Bague D'arrêt 7435 E 60	-
313	G016116	Bille Ø 5.55 Mm	-
314	S000034002	Relief Valve Spring Gs	-
315	G022503	Socket Set Screw M10x1 L=8mm Iso 4026 (din 913) Eslok	-
316	G087014	Cap M10x1	-
317	G087022	Cylindrical Head Screw ζ Hex Socket M8x1 Cap With Seal	-
318	G016104	Bille De Soupape Hxball 5/16" (7,938mm) Voir G016121	-
319	S000007048	Soupape De Pression Complete Valve On-off Gs/basic 16 Px20	-
320	S000034003	Ressort De Rappel Soupape De Descente Gs	-
321	S000034004	Soupape De Descente Gs	-
322	G095071	Joint Torique 115 Crc (614dowty) 11,91x2,62 En Silicone Rouge	-
323	G0P902	Pedale De Descente Gs	-
324	G023102	Vis Stei 5923 Inox M6x25	-
325	G032301	Ecrou Normal M 6 5588 65 Cl8	-
326	G044352	Elastic Peg Spirol Medium Duty Iso 8750 (din 7343) D8x60	-
327	G098208	Joint Levre De Piston Elevation Bas 32x40x6.3	-
328	G094000	Joint Levre De Piston Elevation 32x40x5/7	-
329	S000034005	Piston Elevation Agile Gs/av	-
330	S000034028	Coupelle De Piston De Pompage Agile Gs/av	-
331	G042503	Circlips Pour Coupelle Piston De Pompage Uni 7434 D12 (din 6799) Agile Gs/av	-
332	S000034121	Ressort De Rappel Piston De Pompage Gs	-
333	S000034006	Piston De Pompage Gs	-
334	G094018	Joint Racleur De Fourreau Piston De Pompage 16x24x3,5	-
335	G098200	Joint Levre De Fourreau Piston De Pompage 16x22x5	-
336	S000034025	Axe De Roues Gs Evo	-
337	G044353	Elastic Peg Spirol Medium Duty Iso 8750 (din 7343) D8x45	-