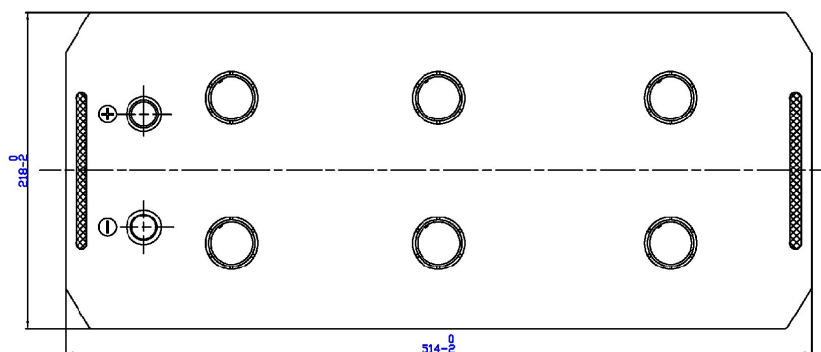
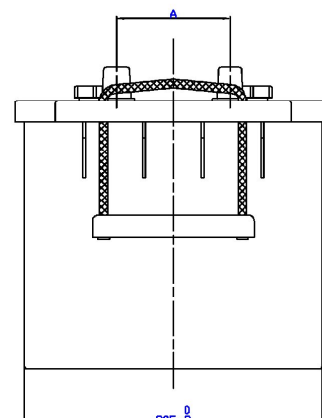
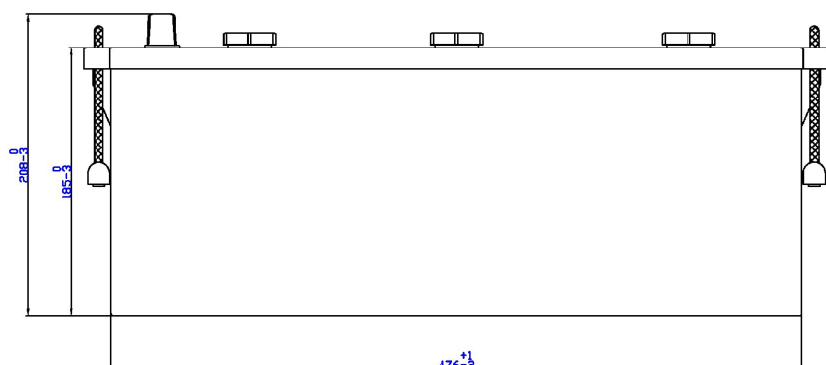


Central Article Code: DB9100W01-A

Created: 06/09/2005

ETN Code or Other:

Modified: 9/10/2013



Final Outlook	DB901-A
Approval date	01/10/2005

PERFORMANCES

Voltage (V):	12 V
C20 (Ah):	135.0 20 h
Rc (min):	0
Cranking (A):	1000 EN
Vibration:	V2 (35Hz/6g/2h)
Endurance:	E2 (90 cycles@50%)
Charge:	WET
Technology:	Vented/Flooded
Grid:	Hybrid

WEIGHT AND STD. DIMENSIONS

Battery Weight (kg):	39.80
Volume acid (l):	13.30
Length (mm):	514
Width (mm):	218
Height (mm):	210

All figures show nominal values. Tolerances are according to EN50342 and applicable European Regulations.

CONTAINER

Type:	DB9	BLACK
Hold Down:	B0	
H.D. Adapter:	No	

COVER

Type:	Flat/Screw	BLACK
Polarity:	ETN 3	
Terminals:	EN taper post	
Terminal Adapter:	No	
SOCI:	No	
Ventilation:	Independent	
Filter:	No	
Lateral Plug:	No	

PLUGS

Type:	6 x M27	BLACK
-------	---------	-------

HANDLES

Type:	2 x Rope (Rigid)	BLACK
-------	------------------	-------

OTHERS

Degassing Tube:	No
-----------------	----