



GRAND-DUCHÉ DE LUXEMBOURG

Ministère du Développement durable
et des Infrastructures

Département des Transports

L-2938 Luxembourg

SOCIÉTÉ NATIONALE DE
CERTIFICATION ET D'HOMOLOGATION

s.à r.l.

Registre de Commerce: B 27180

L-5201 Sandweiler



Référence: e13*1322/2014*2016/1788W3*00070*00

Annexes: - Rapport technique
- Fiche de renseignements du constructeur

Luxembourg, le 28 février 2017

FICHE DE RÉCEPTION UE PAR TYPE EU TYPE-APPROVAL CERTIFICATE

Communication concernant:

Communication concerning:

- la réception UE par type d'un type de composant / siège du conducteur (Catégorie A - Classe III)
- EU type-approval of a type of component / driver's seat (Category A - Class III)

en vertu de l'annexe XIV du règlement délégué (UE) (n° 1322/2014 de la Commission, modifié en dernier lieu par le règlement délégué (UE) 2016/1788 de la Commission

with regard to Annex XIV to Commission Delegated Regulation (EU) (No) 1322/2014, as last amended by Commission Delegated Regulation (EU) 2016/1788

Numéro de réception UE par type:

EU type-approval number:

e13*1322/2014*2016/1788W3*00070*00

SECTION I
SECTION I

2.1.	Marque(s) [dénomination(s) commerciale(s) du fabricant]: Make(s) [trade name(s) of manufacturer]:	SEAT INDUSTRIES SRL
2.2.	Type: Type:	ACTIVO SERIES – S55
	<i>Variante(s):</i> <i>Variant(s):</i>	<i>Activo + S55</i> <i>Activo Plus + S55</i> <i>Activo alto + S55</i> <i>SIL + S55</i> <i>TOP + S55</i>
2.2.1.	Appellation(s) commerciale(s) (le cas échéant): Commercial name(s) (if available):	Activo + S55 Activo Plus + S55 Activo alto + S55 SIL + S55 TOP + S55
2.3.	Raison sociale et adresse du fabricant: Company name and address of the manufacturer:	SEAT INDUSTRIES SRL S.p.A. Via Grande, 21 I-42012 Campagnola Emilia (RE)
2.3.1.	Nom(s) et adresse(s) de la ou des usines d'assemblage/de fabrication: Name(s) and address(es) of assembly/manufacture plant(s):	SEAT INDUSTRIES SRL S.p.A. Via Grande, 21 I-42012 Campagnola Emilia (RE)
2.3.2.	Nom et adresse du mandataire du fabricant (le cas échéant): Name and address of the manufacturer's representative (if any):	not applicable
2.4.	Dans le cas d'une entité technique, véhicule(s) au(x)quel(s) elle est destinée: In the case of separate technical unit, vehicle(s) for which is intended for:	not applicable
2.4.1.	Type: Type:	not applicable
2.4.2.	Variante(s): Variant(s):	not applicable
2.4.3.	Version(s): Version(s):	not applicable
2.4.4.	Appellation(s) commerciale(s) (le cas échéant): Commercial name(s) (if available):	not applicable
2.4.5.	Catégorie, sous-catégorie et indice de vitesse du véhicule: Category, subcategory and speed index of vehicle:	not applicable
2.6.	Emplacement et mode d'apposition de la marque de réception par type: Location and method of attachment of the type-approval mark:	Label glued on the seat backrest

SECTION II
SECTION II

- 1. Service technique responsable de la réalisation des essais:** Luxcontrol SA
Technical service responsible for carrying out the tests: B.P. 349
L-4004 Esch-sur-Alzette
- 2. Date du rapport d'essais:** 16.02.2017
Date of test report:
- 3. Numéro du rapport d'essais:** LCA 54 0462 001 17
Number of test report:

SECTION III
SECTION III

Le soussigné certifie l'exactitude de la description, faite par le fabricant dans la fiche de renseignements jointe, du type de composant / siège du conducteur (Catégorie A - Classe III) décrit ci-dessus, dont un ou plusieurs échantillons représentatifs, sélectionnés par l'autorité compétente en matière de réception UE par type, ont été présentés en tant que prototypes du type de siège du conducteur (Catégorie A - Classe III), et que les résultats d'essais joints s'appliquent au type de siège du conducteur (Catégorie A - Classe III).

The undersigned hereby certifies the accuracy of the manufacturer's description in the attached information document of the type of component / driver's seat (Category A - Class III) described above, for which one or more representative samples, selected by the EU type-approval authority, have been submitted as prototypes of the type of driving seat (Category A - Class III) and that the attached test results apply to the type of driving seat (Category A - Class III).

1. Le type de composant satisfait aux prescriptions techniques des actes réglementaires concernés.
The type of component meets the technical requirements of the relevant regulatory acts.

2. La réception est:
The approval is: granted

2.1. La réception est accordée conformément à l'article 35 du règlement (UE) n° 167/2013 et sa validité expire, par conséquent, le jj/mm/aaaa.
The approval is granted in accordance with Article 35 of Regulation (EU) No 167/2013 and the validity of the approval is thus limited to dd/mm/yyyy. not applicable

Lieu:
Place: Luxembourg

Date:
Date: 28 février 2017

Signature:
Signature:

**Pour le Ministre du Développement durable
et des Infrastructures**

Pour la SNCH



Marco FELTES
Inspecteur Principal 1^{er} en rang



Claude LIESCH
Directeur



Pièces jointes:
Attachments:

Dossier de réception
Information package

Rapport d'essais
Test report

see INDEX to TYPE-APPROVAL REPORT

ADDENDUM À LA FICHE DE RÉCEPTION UE PAR TYPE PORTANT LE NUMÉRO
e13*1322/2014*2016/1788W3*00070*00
ADDENDUM TO THE EU TYPE-APPROVAL CERTIFICATE WITH TYPE-APPROVAL NUMBER
e13*1322/2014*2016/1788W3*00070*00

- 1. Restriction à l'utilisation du siège conducteur**
(Catégorie A - Classe III):
Restriction of use of the driver's seat
(Category A - Class III):

Tractor of category A – class II & III
- 2. Conditions particulières pour le montage du siège du conducteur (Catégorie A - Classe III):**
Special conditions for the mounting of the driver's seat
(Category A - Class III):

not applicable
- 3. Remarques:**
Remarks:

not applicable



GRAND-DUCHÉ DE LUXEMBOURG

Ministère du Développement durable
et des Infrastructures

Département des Transports

L-2938 Luxembourg

SOCIÉTÉ NATIONALE DE
CERTIFICATION ET D'HOMOLOGATION

s.à r.l.

Registre de Commerce: B 27180

L-5201 Sandweiler



Référence: e13*1322/2014*2016/1788W3*00070*00

Annexes: - Rapport technique
- Fiche de renseignements du constructeur

Luxembourg, le 28 février 2017

INDEX DU DOSSIER DE RECEPTION INDEX TO TYPE-APPROVAL REPORT

	Numéro de réception UE par type: EU type-approval number:	e13*1322/2014*2016/1788W3*00070*00
	Révision: Revision:	00
	Marque (dénomination commerciale du fabricant): <i>Make (trade name of manufacturer):</i>	SEAT INDUSTRIES SRL
	Type: <i>Type:</i>	ACTIVO SERIES – S55
1.	Procès-verbal d'essai: Test report:	No LCA 54 0462 001 17
	- Technical report:	Page(s) 1 to 6;
	- Index:	Annex A – Page(s) 1.
2.	Dossier du constructeur: Report of the manufacturer:	Annex B
	- Manufacturer's information document:	Page(s) 1 & 2;
	- Drawings and description of the seat type:	Page(s) 3 to 9.
3.	Autres documents annexés: Other documents annexed:	not applicable
4.	Date de délivrance de la réception initiale: Date of issue of initial type approval:	28.02.2017
5.	Date de la dernière délivrance de pages révisées: Date of last issue of revised pages:	not applicable
6.	Date de la dernière délivrance d'une réception révisée: Date of last extension:	not applicable

TECHNICAL REPORT

No.: LCA 54 0462 001 17

Inspection concerning

ANNEX XIV - Requirements applying to the driving seat

performed according to Commission Delegated Regulation (EU)

No. 1322/2014

Type: **ACTIVO SERIES - S55**
Manufacturer: **SEAT INDUSTRIES SRL**
Via Grande, 21
I – 42012 Campagnola Emilia (RE)

Extension -- to (EU) Type Approval no.: --

Index:

1.	GENERAL	2
2.	INSPECTIONS AND THEIR RESULTS	3
3.	EVALUATION OF TEST RESULTS	5
4.	STATEMENT OF COMPLIANCE	6
	ANNEX (BEGINNING WITH AN INDEX)	

A reproduction of this report and its annexes, except in full, is prohibited without the written permission of Luxcontrol s.a.

...

■ **Luxcontrol SA**

1, Av. des Terres Rouges
BP 349
L-4004 Esch-sur-Alzette
LUXEMBOURG

Tél:++352-54.77.11-1
Fax:++352-54.77.11-203
E-Mail:info@luxcontrol.com
Int.:www.luxcontrol.com
N ident: LU 113 536 61
RC Lux.: B15664

BGL BNP Paribas Luxembourg
IBAN: LU56 0030 1612 0727 0000
BIC: BGLULL
Dexia-BIL
IBAN: LU48 0026 1824 1543 2600
BIC: BILLULL



1. General

1.1. Test Provisions

The inspection was conducted and verified in accordance with Annex XIV of the Commission Delegated Regulation (EU) N° 1322/2014 of 19 September 2014, including amendment 2016/1788 of 14 July 2016.

1.2. Information concerning the type and the requested approval

The statements below apply to the previous EU type-approval as referred to on page 1.

1.2.1. () Numbering according to the COMMISSION IMPLEMENTING REGULATION (EU) N° 2015/504 (amended by 2016/1789), Annex V, Appendix 5 (Model D), Section I

(2.1.) Make(s) (trade name(s) of manufacturer):

SEAT INDUSTRIES SRL

(2.2.) Type: **ACTIVO SERIES - S55**

**Variant: Activo + S55
Activo Plus + S55
Activo alto + S55
SIL + S55
TOP + S55**

Version: --

Commercial name: see above Variants

(2.3.) Company name and address of the manufacturer:

**SEAT INDUSTRIES SRL
Via Grande, 21
I – 42012 Campagnola Emilia (RE)**

(2.3.1.) Name(s) and address(es) of assembly/manufacture plant(s):

**SEAT INDUSTRIES SRL
Via Grande, 21
I – 42012 Campagnola Emilia (RE)**

(2.3.2.) Name and address of manufacturer's representative (if any):

Not applicable

(2.4.) In the case of separate technical unit, vehicle(s) for which is intended for:

Not applicable

...



(2.6.) Location and method of attachment of the type-approval mark:

Label glued on the seat backrest

1.2.2. ()Numbering according to the COMMISSION IMPLEMENTING REGULATION (EU) N° 2015/504, Annex V, Appendix 6 (Model D), Addendum to the EU type-approval certificate

(1.) Restriction of use of the type of the driver's seat:

Category A tractor, class II or III

(2.) Special conditions for the mounting of the driver's seat: **Not applicable**

(3.) Remarks: **Not applicable**

2. Inspections and their results

2.1. Version of the tested vehicle/item

Following variant has been used for testing (if not stated in part 1.2.1. of this report):

- ACTIVO Plus + S55

2.2. Inspection items

	Inspectors	Location of test / verification:	Date of receipt of test item	Date of test / verification
Main	P. Vinciarelli	IMA (Torino) I-10135 Torino	08.04.2004	08.04.2004 and 16.02.2017

2.2.1. General Requirements:

The seat is designed to ensure a comfortable position of the driver. The lateral support is adequate and the seat is adjustable without tools.

2.2.2. Specific Requirements:

The seat surface dimensions comply with the requirements of the regulation. The position and inclination of the backrest, the inclination of the seat surface and the seat adjustment have been verified and are in accordance with the regulation.

Variants of seats: See Annex B



2.2.3. Seat Tests:

2.2.3.1. Suspension characteristics and range of adjustment to the driver's mass:

Test temperature:	19°C
Lower mass limit of driver's mass adjustment:	25 kg (< 50 kg)
Upper mass limit of driver's mass adjustment:	148 kg (> 120 kg)

2.2.3.2. Lateral stability:

Lateral inclination seat cushion after applying a load of 1000N

To the right	1°
To the left	1°

2.2.3.3. Vibration Test:

**The test has been performed on test stand
(tractor category A, class III)**

Applied mass	Corrected Weighted vibration acceleration a_{wS}^* (<1,25m/s²)
60 kg	1,17
102 kg	0,98

2.2.3.4. Damping characteristics:

Ballast load	Ratio vibration acceleration seat surface / seat attachment (< 2)
40 kg	1,39 Hz / 1,62 Hz (< 2)
80 kg	1,48 Hz / 1,37 Hz (< 2)

2.3. Remarks

- **Inspection items are only applicable to items which have been tested.**

2.4. Test facilities

Calibration of measuring and test equipment used to carry out the inspections is in accordance with the Regulation stated in 1.1. of this report and with ISO 17025.



3. Evaluation of test results

3.1. Variants and equipment covered

The tests carried out cover the following variations and equipment as far as these are relevant for component/~~separate technical unit~~:

- Variants as stated in information document

3.2. Remarks

3.2.1. Main report:

According to Annex VIII of Commission Implementing Regulation (EU) 2015/504 of 11 March 2015, special provision item 3.2. has been applied.

Test report LCA 54 462 004 4 related to type approval e13*78/764*1999/57*0020*01 of 27.12.2004, issued under Directive 78/764/EEC, is submitted for the purposes of type-approval under Regulation (EU) No 167/2013.

The seat type ACTIVO SERIES-S55 previously approved under the EEC Directive is technically identical to present seat type ACTIVO SERIES - S55 under the EU regulation type-approval.



4. Statement of compliance

The inspections and measurements carried out have shown the compliance of component/~~separate technical unit~~ described in this report and the attached Annexes with the requirements according to the Commission Delegated Regulation (EU) N° 1322/2014 of 19 September 2014, including amendment 2016/1788 of 14 July 2016.

Esch-sur-Alzette, February 16th, 2017

Luxcontrol s.a.
Service Homologation-automobile

P. Vinciarelli
Ingénieur-Inspecteur

D. Durazzi
Ingénieur-Inspecteur

Annex



*LCA 54 0462 001 17*SEAT INDUSTRIES SRL*ACTIVO SERIES - S55*1322/2014*--*

Annex A, Page 1

Index to the information package, including a summary in chronological order, concerning extensions and/or amendments

(EU) type-approval No.: --

Main Report

Technical Report No.: LCA 54 0462 001 17 Page 1 to 6

Composition of the Annex:

A: Index Page 1
B: Information folder Page 1 to 9

Index to the information folder:

- manufacturer's information document (page 1, 2)
 - drawings and description of the seat type (page 3 to 9)
-

Model information document relating to EU type-approval of a driver's seat as a component/STU

A. GENERAL INFORMATION

2. GENERAL INFORMATION CONCERNING SYSTEMS, COMPONENTS OR SEPARATE TECHNICAL UNITS

2.1. **Make(s) (trade name(s) of manufacturer):**...SEAT INDUSTRIES SRL

2.2. **Type** ⁽⁴⁹⁾:...**ACTIVO SERIES - S55**.....

2.2.1. Commercial name(s) (if available):...**Activo + S55, Activo Plus + S55, Activo alto + S55, SIL + S55, TOP + S55**

2.2.2. Type-approval number(s) ⁽⁴⁹⁾ (if available):.../////.....

2.2.3. Type-approval(s) issued on (date, if available):.../////.....

2.2.4. For components and separate technical units, location and method of attachment of the type-approval mark(s) (if available) ⁽¹⁹⁾

.....STICKER LABEL LOCATED on SEAT-BACKREST---

2.3. **Company name and address of manufacturer:**...SEAT INDUSTRIES Srl, VIA GRANDE 21, 42012 Campagnola Emilia (RE) ITALY.

2.3.1. Name and address of assembly/manufacture plants: **SEAT INDUSTRIES Srl, VIA Grande 21, 42012 Campagnola E (RE) ITALY**

2.3.2. Name and address of manufacturer's authorised representative (if any):.....///.....

2.4. **For systems and separate technical units, vehicle(s) for which they are intended for** ⁽²¹⁾:

2.4.1. Type ⁽¹⁷⁾:.....//.....

2.4.2. Variant(s) ⁽¹⁷⁾:.....//.....

2.4.3. Version(s) ⁽¹⁷⁾:.....//.....

2.4.4. Commercial name(s) (if available):.....//.....

2.4.5. Category, subcategory and speed index of the vehicle ⁽²⁾:.....///.....

49. SEATING POSITIONS (SADDLES AND SEATS)

49.1. Seating position configuration: **seat**

49.2. Coordinates or drawing of the Seat Reference point (S) of the driver's seat: **attached Drawing 9515550, 961555000, 962555000, SIL5550, TOP5510R**.....

49.3. Description and drawings of:

.8 49.3.1. The seat and its anchorages:...vedi disegni, per il fissaggio del sedile usare 4 viti di M8 -8.8 di lunghezza sufficiente

49.3.2. The adjustment system:.....**See attached Drawing**.....

49.3.3. The displacement and locking systems:... **See attached Drawing**.....

49.3.4. The seat-belt anchorages (if incorporated in the seat structure):.... **See attached Drawing**.....

49.3.5. The parts of the vehicle used as anchorages:.....//.....

49.4. Driver's seat

49.4.1. Position of the driving seat: **centre**

49.4.2. Driver's seat type category: W2, W3 (tractor **category A class II-III**),

49.4.3. Reversible driving position: **no**

49.4.3.1. Description of the reversible driving position:.....//..... 28.3.2015 L 85/123
Official Journal of the European Union EN

49.4.4. Dimensions of the driving seat, including the depth and width of the seat surface, the position and inclination of the backrest, as well as the inclination of the seat surface: **See attached drawing**

49.4.5. Main characteristics of the driving seat:

..Seat with of polyurethane foam padding, covered with fabric or artificial leather, fixed on printed metal sheets, with pneumatic suspension MOL550 (S55), fixed under the seat, compounded of an upper and a lower frame, connected together by a set of pantograph levers, regulated by air-spring and hydraulic shock absorber.

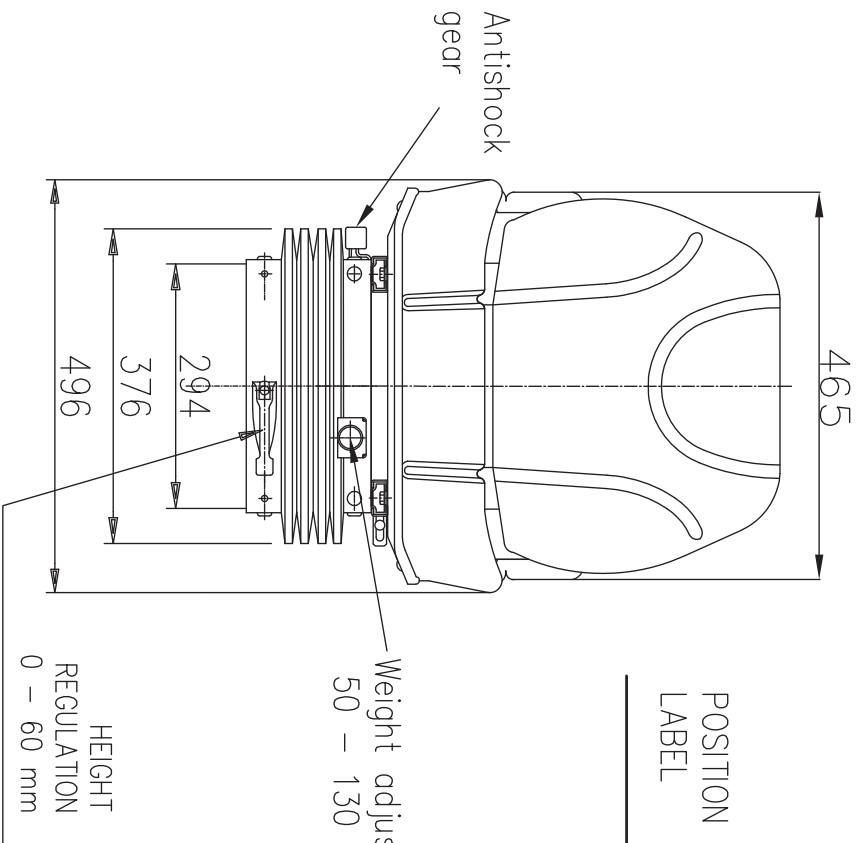
49.4.6. Adjustment system:..

Weight (50- 120 Kg) and height (60mm) adjustment, are realized by a electro –pneumatic push-button and a lever,

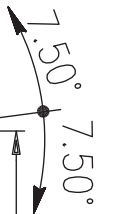
49.4.7. Displacement and locking system in the longitudinal and vertical directions:..

The displacement in the longitudinal direction takes place with slides having a 150mm stroke actuated with a lever, while the 60mm vertical displacement takes place through the rotation of a knob

49.4.7.1. In the case of vehicles not equipped with an adjustable seat, indicate the displacement of the steering column and pedal(s):.....//.....

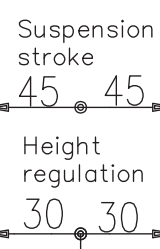


Backrest angle adjustment



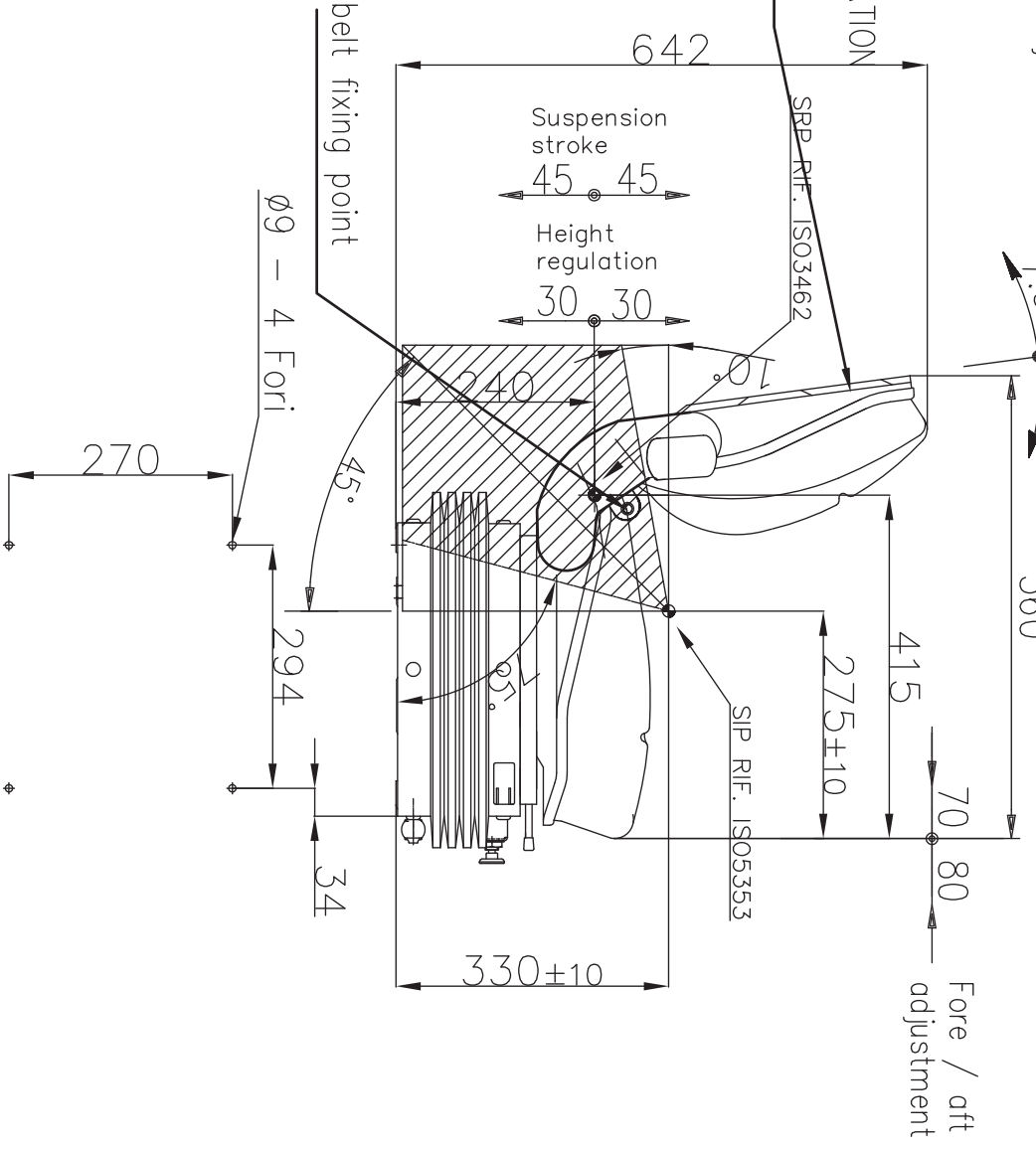
POSITION APPLICATION LABEL

SBP RIF. ISO3462



Safety belt fixing point

Ø9 - 4 Fori



Fore / aft adjustment

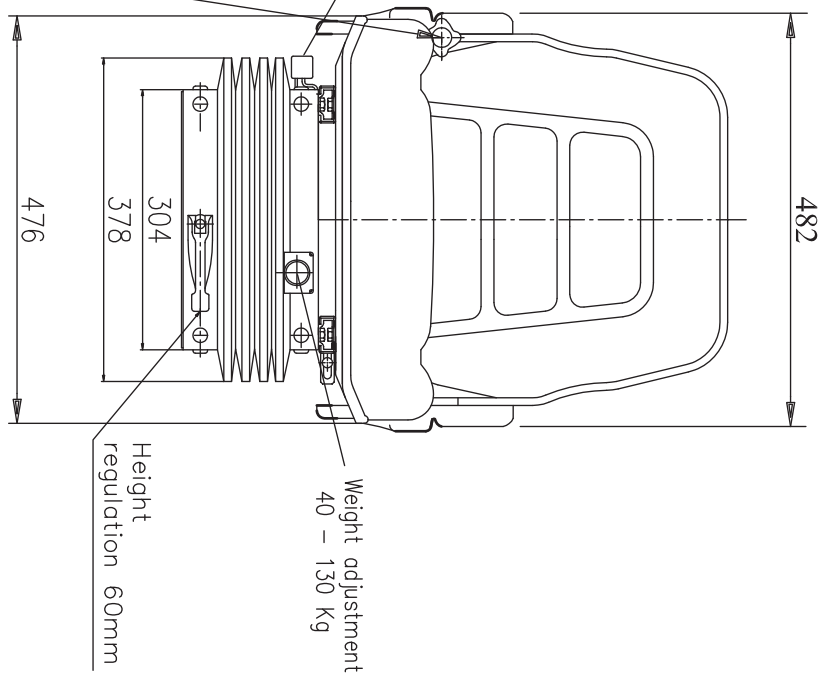
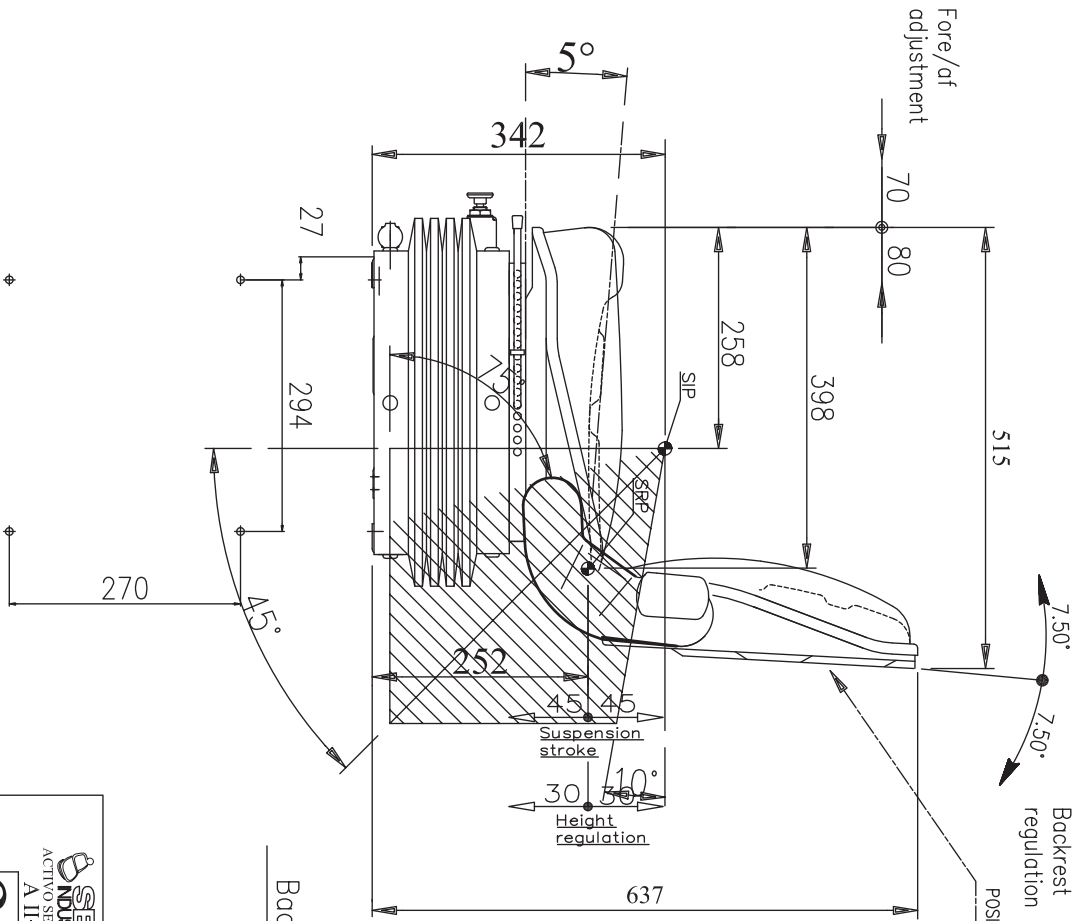
SEAT INDUSTRIES
 ACTIVO SERIES - S698
 A II-III
 e13
 ??????
 W2-W3

LABEL

PRE-TRATTAMENTO SUPERF. (1st SURF. TREATMENT)		TRATTAMENTO SUPERF. FINALE (LAST SURF. TREAT.)		QUANTITÀ (QTY)		RUGOSITÀ SUPERF. (SURF. ROUGHN.)	
TRATT. TERMICO (HEAT TREATMENT)		PESO GREZZO (RAW W.) (KG)		PESO FINITO (FINAL W.) (KG)		FOGLIO (SHEET)	
TOLLERANZE GENERALI CARPENTERIA GENERICA CARPENTRY TOLERANCES:							
CERCHIA (SHEARING), PIEGA (BENDING) E DESSINATO (CONCUTTING) ±1 mm SALVATURA (VELDING) ±2 mm - PIEGATURA (BENDING) ±1°							
GRADO DI PRECISIONE PER TOLLERANZE GEOMETRICHE GENERALI SECONDO UNI-EN 22768-2							
PRECISION LEVEL FOR GEOMETRIC TOLERANCES ACCORDING UNI-EN 22768-2)							
DISEGNO (DRAW): Branchini							
MATERIALE (MATERIAL): L							
DESCRIZIONE (DESCRIPTION): SED. ATTIVO MOL. PNEUMATICO S65 RIVESTIMENTO IN VELL. BLU							
COD. AIRZ. (TOOL REF.):							
CODICE (REF.): 9515550							
A4							

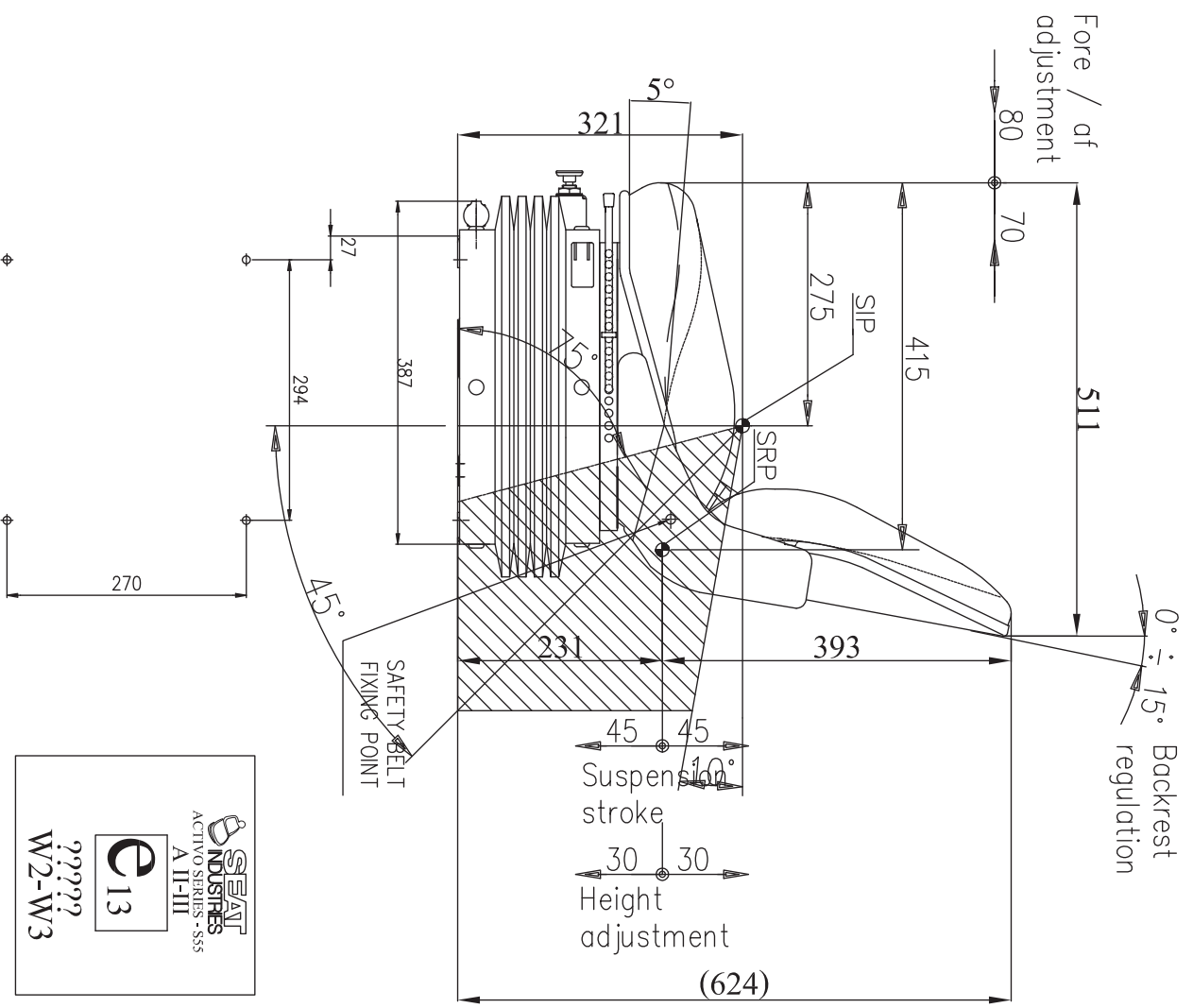


CAMPAGNOLA (RE) - ITALY
 DATA (DATE)
 COD. AIRZ. (TOOL REF.):
 CODICE (REF.): 9515550



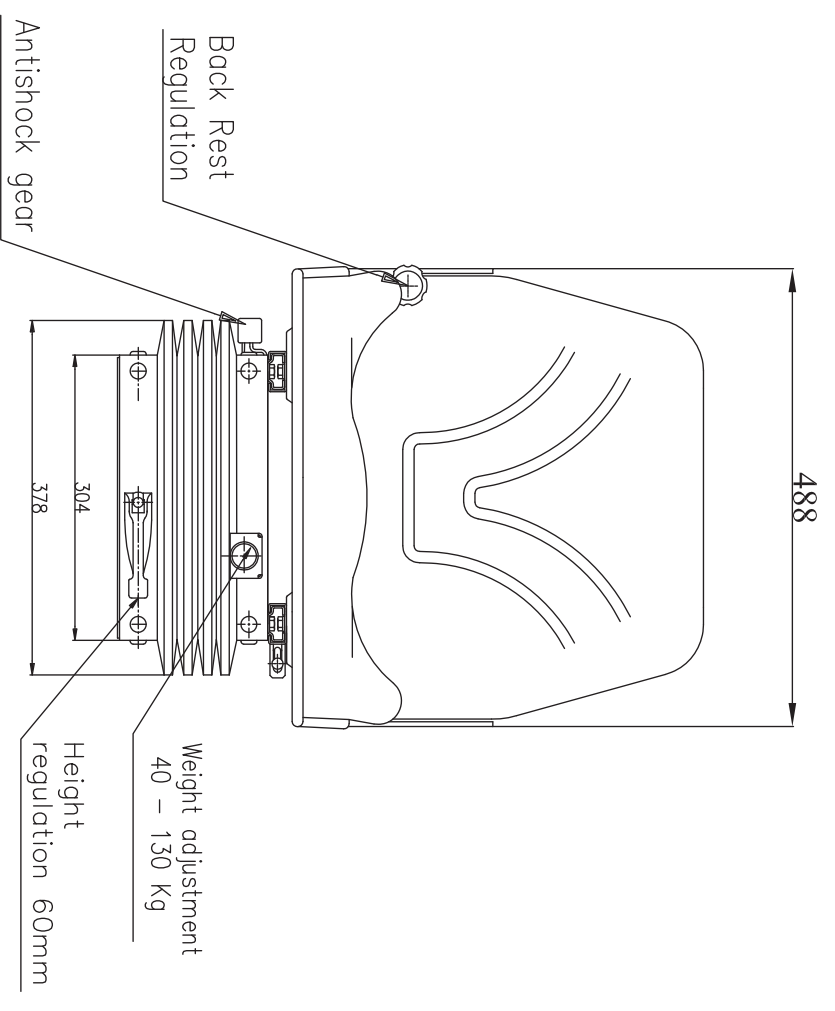
OMOLOGATION LABEL

PRETRATTAMENTO SUPERF. (SIRF. TREATMENT)	TREATMENT (SIRF. TREATMENT)	QUANTITA' (QTY)	RIGIDITA' A SUPERF. (SIRF. RIGIDITY)
TRATTE TERMICO (HEAT TREATMENT)	TRATTAMENTO SUPERF. FINALE (LAST SIRF. TREAT)		
	PROTEZIONE RIV. (W. / J.C)	PROTEZIONE RIV. (W. / J.C)	PROTEZIONE RIV. (W. / J.C)
TOLLERANZE GENERALI CARPENTERIA (GENERIC CARPENTRY TOLERANCES)			
CERCHI (SHERROD), PLEGA (BENDINO) E DESTAGLI DI COPERTURA: ±1 mm - SALDATURE (WELDING): ±2 mm - PLEGATURA (BENDING): ±1°			
F	FINE	H	GRUPPI DI PREL. PER QUOTE LINEARI E ANGOLI SECONDO UNI-EN 22864
M	MEDIANCIANO	K	PREL. LEVEL. PER LINEE ANG. SECONDO UNI-EN 22864
C	GROSSA/MA (GRANDE)	L	GRADO DI PRECISIONE PER TOLLERANZE GEOMETRICHE GENERALI SECONDO UNI-EN 22768-2
V	NO (GRANDE)		PRECISION LEVEL FOR GEOMETRIC TOLERANCES ACCORDING UNI-EN 22768-2)
DISegnato/DRAWN: BRANCHINI		MATERIALE (MATERIAL)	
CONTROLLATO/CHECK: Villani			
DESCRIZIONE (DESCRIPTION)			
SED. ATTIVO SIL CON MOLLEGGIO PNEUMATICO SSS			
COD. ATRZ. (TOOL REF.):		CODICE (REF.)	
DATA (DATE)	SCALE (SCALE)	SIL5550	
25-05-2004	no		
CAMPAGNOLA (RE) - ITALY			
SEAT INDUSTRIES			
A4			

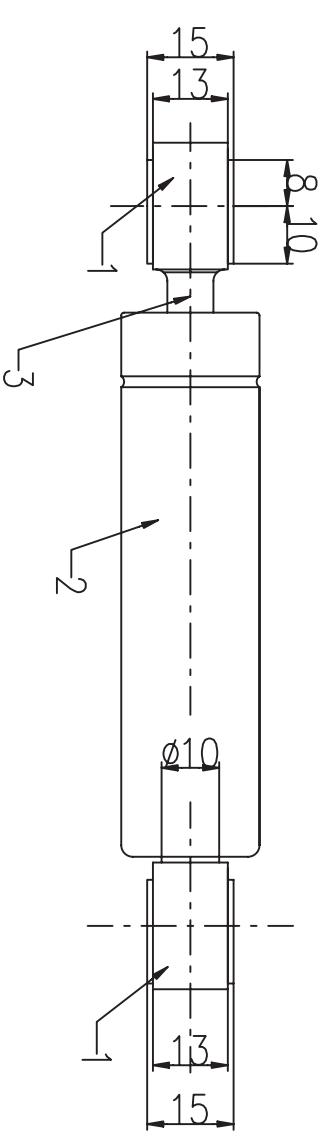
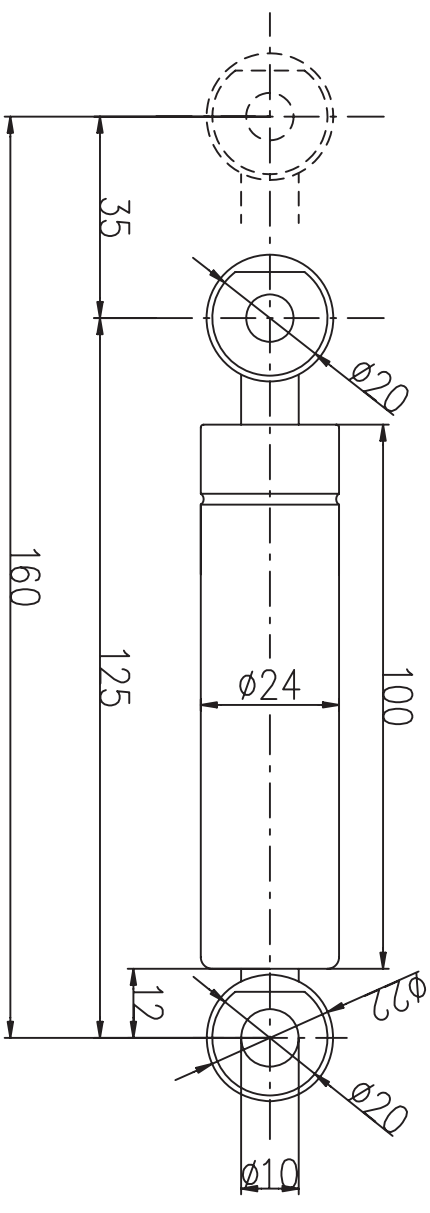


SEAT INDUSTRIES
ACTIVO SERIES - SSS
A II-III
E13
??????
W2-W3

OMOLOGATION LABEL



PRE-TRATTAMENTO SUPERE (1st SURE TREATMENT)	TRATTAMENTO SUPERE FINALE (LAST SURE TREAT)	QUANTITÀ (QTY)	RUGOSITÀ SUPERE (SURE ROUGHEN)
TRATT. TERMICO (HEAT TREATMENT)	PESO (GROSS/RAW WT./KG)	PESO FINITO (FINL WT./KG)	TOLLERANZA (TOL)
TOLLERANZE GENERALI CARPENTERIA (GENERIC CARPENTRY TOLERANCES):	SMISSI NON QUOT. 1x45° - RAGGI R 0,5 (CHAMFERS WITHOUT TOL. 1x45° - FILLETS R 0,5)		
CESBIA (SHEARING), PIEGA (BENDING) E DISTACCHIO (CUTTING): ±1 mm - SALDATURA (WELDING): ±2 mm - PIEGATURA (BENDING): ±1°	GRADO DI PREC. PER QUOTE LINEARI E ANGOLI (PRECISION LEVEL FOR GEOMETRIC TOLERANCES ACCORDING UNI-EN 22768-2)		
F FINE	H	M M	C
M MEDIO	K	L	L
C GROSSOLANA (COARSE)	L		
V VILLOSA (ROUGH)			
DISegnATO (DRAWN): Branchini			
CONTROLLATO (CHKD): Villiani			
DESCRIZIONE (DESCRIPTION): SED. TOP MOLLEGGIO PNEUMATICO SSS RIV. SKY			
COD. ATRZ. (TOOL REF.): 27-11-2004		CODICE (REF.): TOP5510R	
DATA (DATE): 27-11-2004		SCALASCALE)	
CAMPIGNOLA (RE) - ITALY		A4	



3	Cromato	N°cicli/min	100	00
2	Verniciato	mm/sec	100	00
1	Verniciato	Traz.(daN)	65 ±20%	00 ±20%
POS	DESCRIZIONE FINITURE	COMP(daN)	10 ±20%	0 ±20%

PROVA IDRAULICA
Corsa 35

MODIFICHE		Scala	
Note QUOTE SENZA INDICAZIONE DI TOLLERANZA: GRADO DI PRECISIONE MEDIO UNI 5307		1 : 1	
Trattamenti / Lavorazioni		Supporto tecnico e disegno	
Materiali		Branchini R.	
Stato		Data	
Peso Grezzo		01/04/04	
Kg.		Tolleranze Generali	
Le quote dei particolari ottenuti per stampaggio si intendono a pezzo finito.		Quote lineari ± 0.1	
		Quote angolari ± 30"	

Descrizione AMMORTIZZATORE IDRAULICO x MOL550

SEAT S.R.L. **STABILUS**

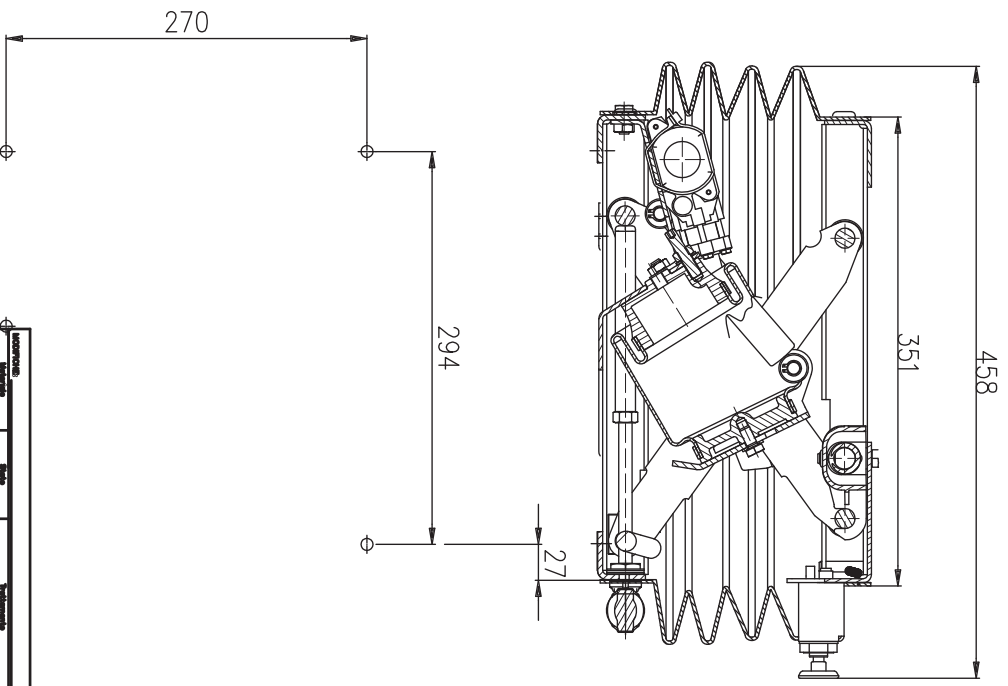
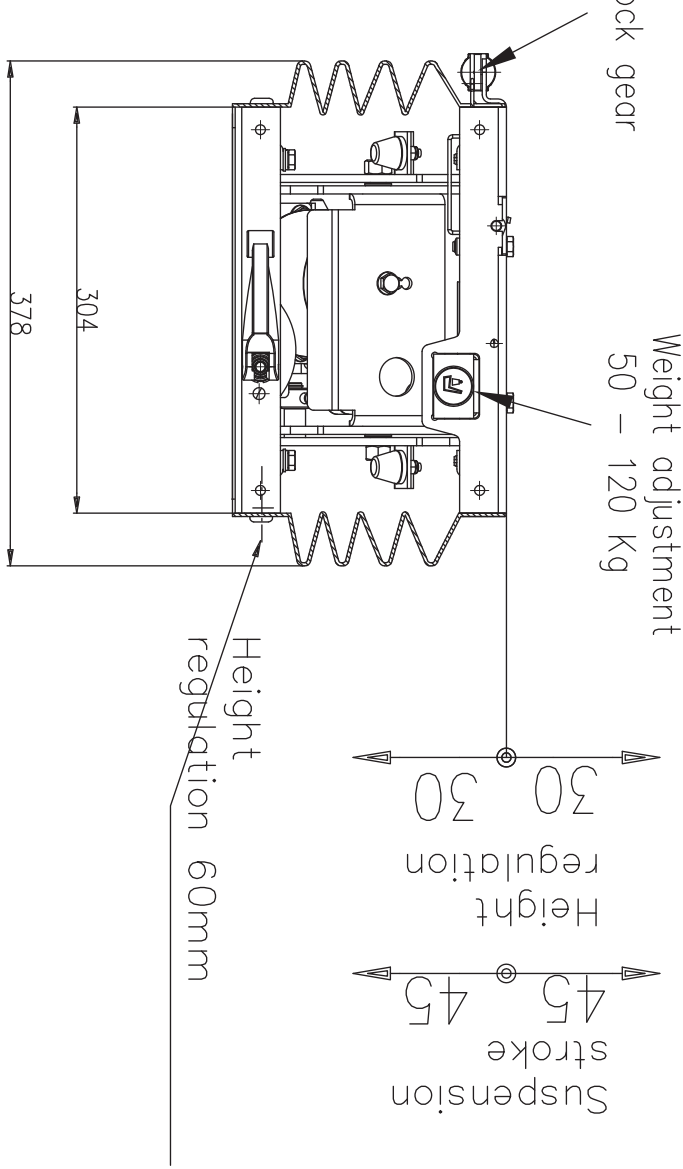
LA PROPRIETA' DI QUESTO DISEGNO E' RISERVATA A TERMINI DI LEGGE

Sostituisce il MODELLO **STABILUS**

Sostituito dal CODICE - Disegno **032205550**

Pos. N°

N° Pezzi



DESCRIZIONE		MATERIALE		MISURE	
Descrizione	Quantità	Descrizione	Quantità	Dimensioni	Unità
SEAT MOL 550	1	SEAT MOL 550	1		
<p>SEAT S.p.A. - Via S. Maria 1 - 37040 Biadene della Battaglia (VI) - Italia</p> <p>SEAT S.p.A. - Via S. Maria 1 - 37040 Biadene della Battaglia (VI) - Italia</p> <p>SEAT S.p.A. - Via S. Maria 1 - 37040 Biadene della Battaglia (VI) - Italia</p>					