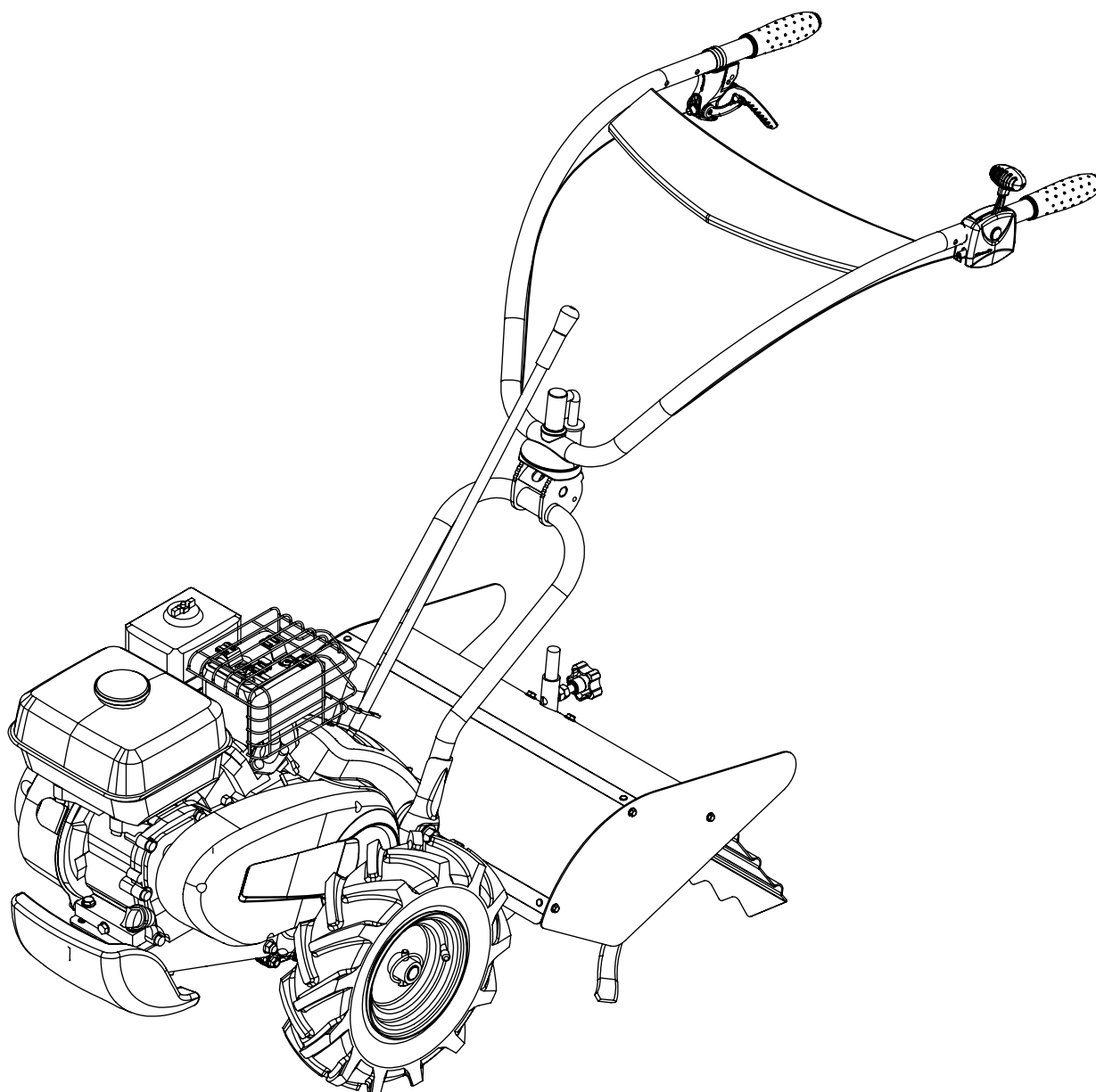
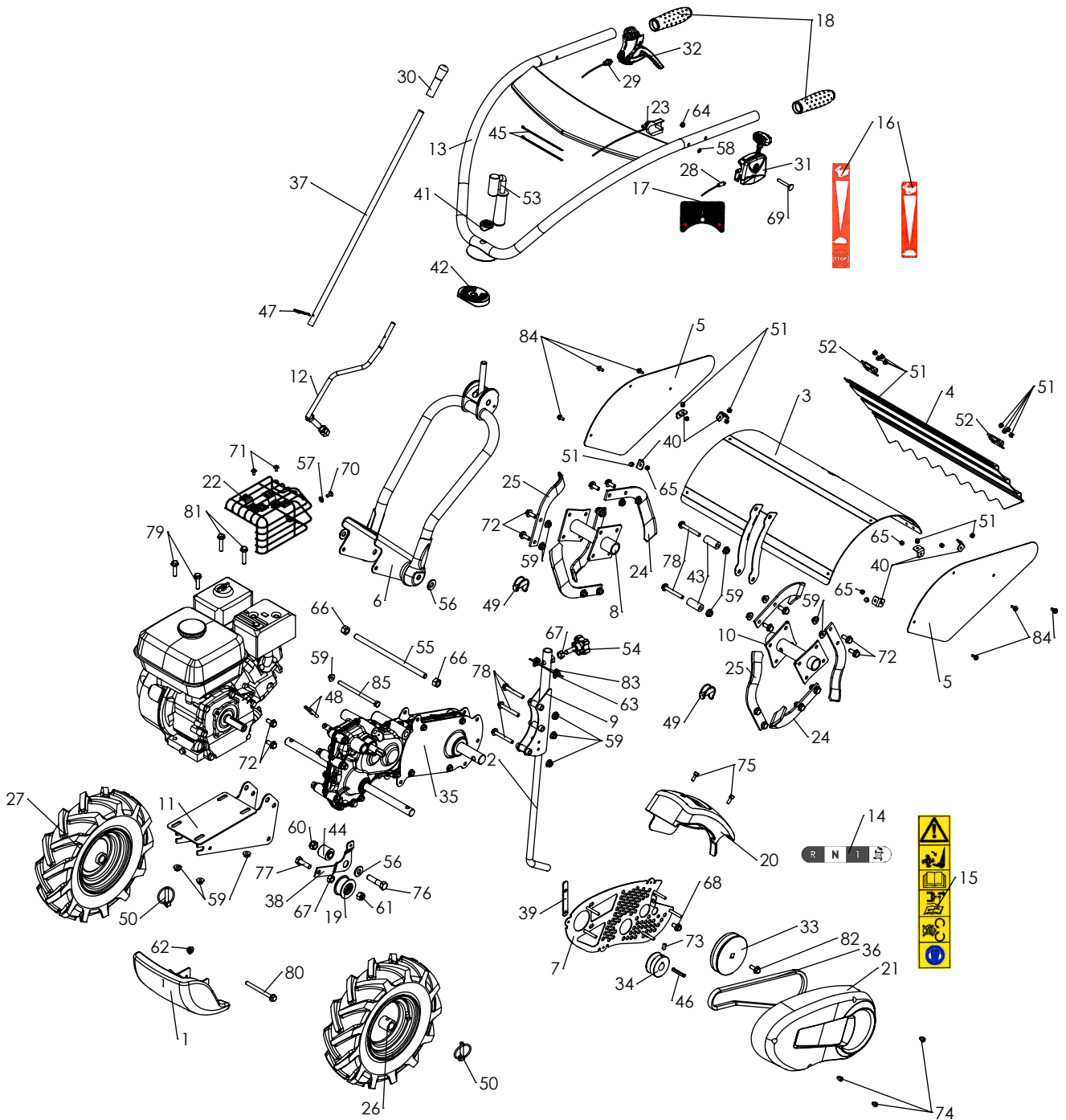


Pièces de rechange Spare parts list

3200**02**



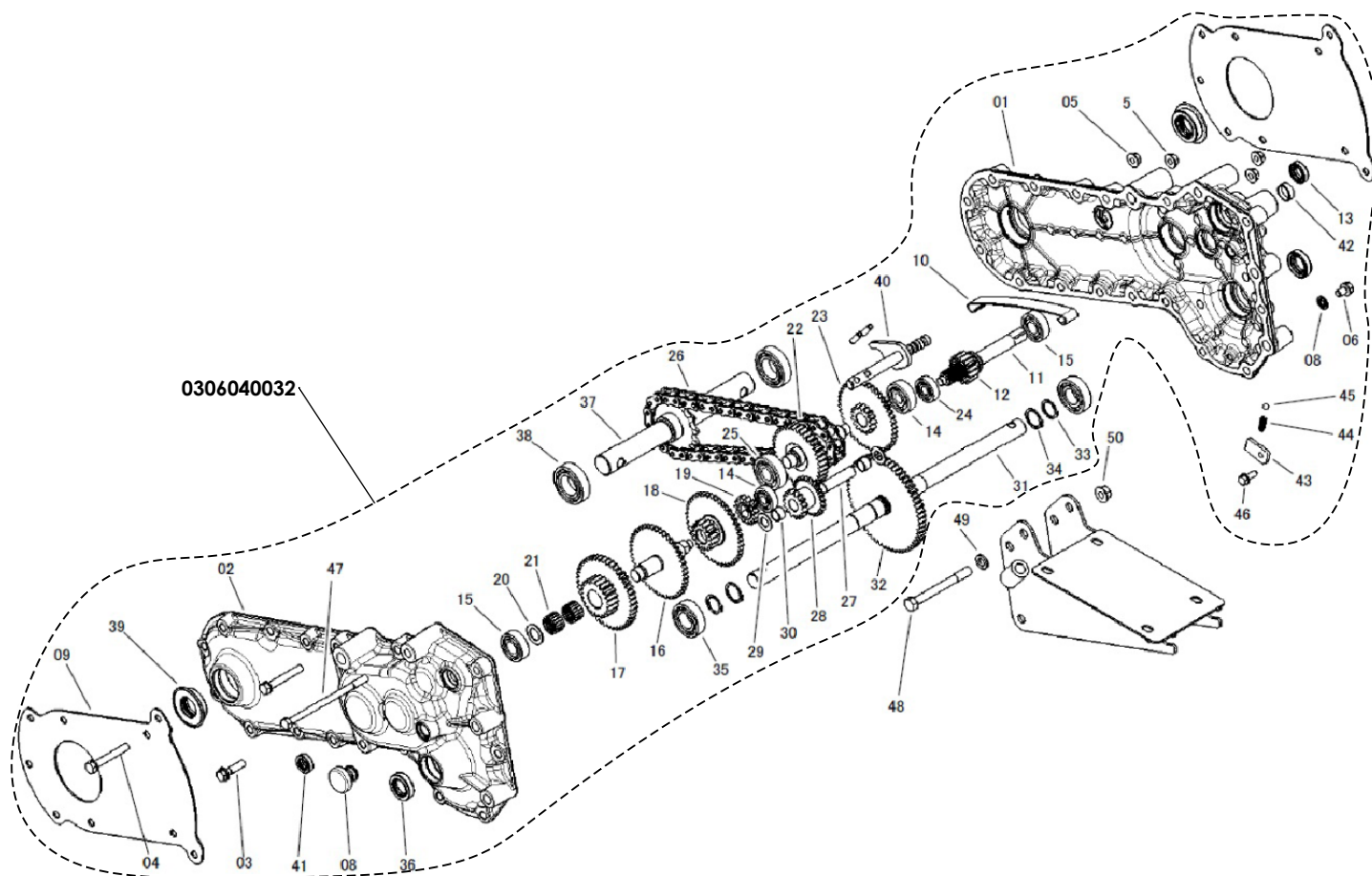
*FRAISE ARRIERE
REAR TINE TILLER*



15

Rep N°	Ref.	Désignation	Description		Qte
1	8200021131	KIT CP ROTO 4xx	ROTO 400 BALANCE WEIGHT KIT		1
2	3502010320	BEQUILLE Ø16 xNOIRx	SPUR BLACK		1
3	3202002309	CARTER ROTO400 BLEU P301	TINES COVER ROTO400 BLUE P301		1
3	3202002009	CARTER ROTO400 VERT RAL6029	TINES COVER ROTO400 GREEN RAL6029		1
3	3202001309	CARTER ROTO400 ROUGE RAL3001	TINES COVER ROTO400 RED RAL3001		1
3	3202000309	CARTER ROTO400 NOIR RAL9005	TINES COVER ROTO400 BLACK RAL9005		1
4	3202002308	PANNEAU ARRIERE CARTER FRAISE BLEU P301	TINES REAR COVER BLUE P301		1
4	3202002008	PANNEAU ARRIERE CARTER FRAISE VERT RAL6029	TINES REAR COVER GREEN RAL6029		1
4	3202000508	PANNEAU ARRIERE CARTER FRAISE GRIS (8120)	TINES REAR COVER GREY (8120)		1
4	3202000308	PANNEAU ARRIERE CARTER FRAISE NOIR RAL9005	TINES REAR COVER BLACK RAL9005		1
5	3202002307	FLANC CARTER ROTO ECO BLEU P301	TINES COVER SIDE ROTO400 BLUE P301		2
5	3202001307	FLANC CARTER ROTO ECO ROUGE RAL3001	TINES COVER SIDE ROTO400 RED RAL3001		2
5	3202000307	FLANC CARTER ROTO ECO NOIR RAL9005	TINES COVER SIDE ROTO400 BLACK RAL9005		2
5	3002002007	FLANC CARTER ROTO ECO VERT RAL6029	TINES COVER SIDE ROTO400 GREEN RAL6029		2
6	3202000317	POTENCE HD PEINTE NOIR RAL9005	HD BRACKET BLACK RAL9005		1
7	3202000316	TOLE INTERIEUR ROTO400 MK2 NOIR RAL9005	ROTO400 MK2 INTERIOR HIDE BLACK RAL9005		1
8	3202000312	MOYEU DROIT FRAI ROTO400 NOIR RAL9005	ROTO 400 RIGHT TINE HUB BLACK RAL9005		1
9	3202000311	ENSEMBLE SUPPORT BEQUILLE NOIR RAL9005	SPUR SUPPORT BLACK RAL9005		1
10	3202000305	MOYEU GAUCHE FRAI ROTO400 NOIR RAL9005	ROTO 400 LEFT TINE HUB BLACK RAL9005		1
11	3202000301	SUPPORT MOTEUR ROTO 400 NOIR RAL9005	ROTO400 ENGINE SUPPORT BLACK RAL9005		1
12	3202000202	LEVIER DE VITESSE ROTO 400 ZINGUE Blanc	ROTO400 GEAR LEVER WHITE ZINC		1
13	3002210310	GUIDON M0701 CABLE MANET COTE NOIR RAL 9005	M0701 CLOSED HANDLEBAR BLACK RAL9005		1
14	0503010321	STICKER VITESSE M1203	SPEED LABEL M1203		1
15	0503000094	ETIQ. "SECURITE 6 LOGOS" CE	STICKER SECURITY		1
16	0503000045	ETIQ. POIGNEE GAZ (AVEC STOP)	STICKER THROTTLE CONTROL STOP-MIN-MAX	750SERIES, EP	1
16	0503000043	ETIQ. GAZ (SS STOP)VERS PNEUM DIM 42X11	Label throttle control without stop	GP, GX, R180	1
17	0503000031	ETIQ. MARCHE-ARRET SWITCH DIM 20 X 15	STICKER SWITCH ON-OFF GX		1
18	0341000068	POIGNEE ELASTO D25 avec lèvre	Rubber hand side grip		2
19	0341000003	GALET 2 EPAULEMENTS ROUL 6200 ZZ	CLUTCH RUNNER ROUL 6200 ZZ		1
20	0340320008	CAPOT POTENCE ROTO400 ROUGE RAL3001	BRACKET COVER ROTO400 RED RAL3001		1
20	0340320006	CAPOT POTENCE ROTO400 VERT RAL6029	BRACKET COVER ROTO400 GREEN RAL6029		1
20	0340320004	CAPOT POTENCE ROTO400 BLEU RAL5010	BRACKET COVER ROTO400 BLUE RAL5010		1
20	0340320002	CAPOT POTENCE ROTO400 NOIR RAL9005	BRACKET COVER ROTO400 BLACK RAL9005		1
21	0340320007	CAPOT COURROIE ROTO400 ROUGE RAL 3001	BELT COVER ROTO 400 RED RAL 3001		1
21	0340320005	CAPOT COURROIE ROTO400 VERT RAL6029	BELT COVER ROTO 400 GREEN RAL 6029		1
21	0340320003	CAPOT COURROIE ROTO400 BLEU RAL 5010	BELT COVER ROTO 400 BLUE RAL 5010		1
21	0340320001	CAPOT COURROIE ROTO400 NOIR RAL9005	BELT COVER ROTO 400 BLACK RAL9005		1
22	0330092003	GRILLE ECHAPP R180/R210	EXHAUST GRILL R180/R210	R180	1
22	0330012003	GRILLE ECHAP GX120/GX160	EXHAUST GRILL GX120/GX160	GX	1
22	0330012009	GRILLE ECHAP GX120/GX160 UT2	EXHAUST GRILL GX120/GX160 UT2	GP	1
23	0330062001	SWITCH ON/OFF LONCIN	SWITCH ON/OFF LONCIN	GP, GX, R180	1
24	0320070002	COUTEAU GAUCHE ROTO 400	LEFT BLADE ROTO400		4
25	0320070001	COUTEAU DROIT ROTO 400	RIGHT BLADE ROTO400		4
26	0309000057	ROUE 3.50x6 GAUCHE PNEU 4PR JANTE 2.50x6 MOYEU 30-3/4"	LEFT WHEEL 3.50x6 TIRE 4PR RIM 2.50x6 HUB 30-3/4"		1
27	0309000056	ROUE 3.50x6 DROITE PNEU 4PR JANTE 2.50x6 MOYEU 30-3/4"	RIGHT WHEEL 3.50x6 TIRE 4PR RIM 2.50x6 HUB 30-3/4"		1
28	0308040052	CABLE GAZ x1250 xLF60 Z0° MANETTE LGC	Throttle cable Lg 1250mm stroke 60mm		1
29	0308020075	CABLE EMB Lg 1250 CF 112 LAKS EMB CLIP	CLUTCH CABLE LG1250 STROKE 112 LAKS LEVER x CLIP TIP		1
30	0307020029	POIGNEE TYPE B- D14 LG 80 NOIR	Knob Ø14 Lg.80		1
31	0307020023	MANETTE GAZ LGC POMMEAU NOIR RAL9005	THROTTLE LEVER LGC BLACK KNOB RAL9005		1
32	0307010034	LEVIER EMB LAKS C27 GUID D25 TEMPO EMBRAYAGE	HANDLEVER LAKS C27 D25 CLUTCHING SYMBOL		1
33	0306060053	POULIE TRANSMISSION D105	TRANSMISSION PULLEY Ø105		1
34	0306060005	POULIE MOT D55 ALES 19,06	ENGINE PULLEY D55 BORE Ø19,06		1
35	0306040032	TRANSMISSION ROTO400 PR TRANSMISSION NUE	ROTO400 TRANSMISSION		1
36	0306030083	COURROIE ROTO 400 XDV48-320 (tol +/- 5mm)	ROTO 400 BELT		1
37	0305000022	LEVIER DE VITESSE ROTO400 MK2	GEAR SHIFT LEVER ROTO400 MK2		1
38	0304000490	LEVIER EMB ROTO400	PLATE FOR CLUTCH LEVER		1
39	0304000444	PLAQUE MOTEUR ROTO400	ROTO400 ENGINE PLATE		1
40	0304000425	EQUERRE CARTER ROTO400	TINE COVER SQUARE ROTO400		6
41	0303000024	ENTRETOISE POIGNEE SERRAGE H16	Tightening lever spacer height 16		1
42	0303000023	NOIX CRANTEE M0701 LIAISON GUIDON	M0701 FILLER PIECE		1
43	0302020201	ENTR. 18x8.2x40.5 Z	Spacer Ø18 x Ø8.2 x40.5		2
44	0302020192	ENTR. LEVIER EMBR ROTO	SPACER FOR CLUTCH LEVER ROTO		1
45	0301060003	COLLIER POLYAM.3.6 X 140 NOIR	COLLAR		2
46	0301040001	CLAVETTE 4.76X4.76X 40 BTS DRO TOL h 9 - XC 48	KEY 4.76X4.76X40 DRO TOL h 9 - XC 48		1
47	0301030002	GOUPILLE BETA3	BETA PIN BETA 3 Z		1

Rep N°	Ref.	Désignation	Description		Qte
48	0301020014	GOUPILLE HBK 6x40 ISO 8748ST	COTTER-PIN 6X40 HBK		2
49	0301010014	GOUPILLE CLIPS 10 x 36	CLIP PIN D10 x 36		2
50	0301010009	GOUPILLE CLIPS 8X42 ZING	Cotter-pin		2
51	0301000018	RIVET 5X8	RIVET 5X8		14
52	0301000017	CHARNIERE CC.423-ZB	HINGE CC.423-ZB		2
53	0300801401	POIGNEE SERRAGE M1 4x150 EMBOUT NOIR	HANDLEBAR TIGHTENING LEVER		1
54	0300801001	BOUTON EM 15-540-50 M10 30	KNOB EM 15-540-50 M10 30		1
55	0300601201	AXE SERRAGE GUIDON	HANDLEBAR CLAMPING AXIS		1
56	0300401201	RONDELLE PLATE M 12X27X2.5 Z NFE 25513	PLATE WASHER M 12X27X2.5 Z NFE 25513		3
57	0300400602	RONDELLE PLATE M 6X14X1,2 Z	PLATE WASHER M 6X14X1,2 Z NFEN 25513		1
58	0300400301	RONDELLE PLATE 3.2x10x1 Z	Washer M 3.2x10x1 Z		1
59	0300260801	ECROU HM 8 ZEMB CR DIN 6923-8	NUT H M8 Z NOTCHED SHOULDER		26
60	0300211201	ECROU FREIN M 12 Z DIN 985/8	BLOCKING NUT M 12 Z		1
61	0300211001	ECROU FREIN M 10 Z DIN 985/8	BLOCKING NUT M 10 Z		1
62	0300210805	ECROU BDR HM8 EMB LISSE DIN6927	SCREW BDR HM8 SMOOTH BASE DIN6927		1
63	0300210603	ECROU FREIN EMB M6 Z DIN 985-8	BLOCKING NUT M 6 Z		2
64	0300210602	ECROU FREIN M 6 Z DIN 985-8	BLOCKING NUT M 6 Z		1
65	0300210501	ECROU FREIN M 5 Z DIN 985/8	Blocking nut M5 Z		6
66	0300201202	ECROU H.U. M 12 Z DIN 934-8	NUT HM 12Z		2
67	0300201002	ECROU H.U. M 10 Z DIN 934	NUT HM 10Z		2
68	0300091004	VIS ALTRACS WN 5117 80x16 Z	SCREW ALTRACS WN 5117 80x16 Z		1
69	0300080610	VIS TRCC 6 X 45/20 Z Din603	SCREW TRCC 6 X 45 Z		1
70	0300080602	VIS TOLE TCB POZI 6,3 X 13 Z	POZIDRIVE SCREW M6x13Z	GP, GX	1
70	0300080404	VIS TOLE TCB 4.8X9.5 DIN 7981	SHEET SCREW TCB 4.8 X 9.5	EP	1
71	0300080501	VIS METAUX TCB POZI 5X10 Z DIN 7985	POZIDRIVE SCREW M5x10Z	R180,GP, GX	2
71	0300010620	VIS HM6 X 10 Z EMB LISSE CL6.8 NOIR x TETON CYL NFE25019	SCREW HM6 X 10 Z CL6.8 SMTH SHOULD PILOT PNT NFE25019	EP	2
72	0300060504	VIS 5/16 TH24 UNF3/4(LG19)E EMBASE CRANTEE 18	SCREW 5/16 TH24 UNF3/4 LG19 NOTCHED SHOULDER	EP, GP, GX	2
72	0300010816	VIS H 8x20 Z EMB CR	SCREW H M8X20 Z NOTCHED SHOULDER CL 8.8	R180, 750SERIES(x2)	18
73	0300040801	VIS STHC 8 X 16 N BT POINTU DIN 914 45H	SCREW ST HC M8X16 DIN 914 45H		1
74	0300020614	VIS CHC 6 X 6 Z DIN 912 8.8	Screw CHC M6x6z		3
75	0300020601	VIS CHC 6 X 16 Z DIN912 ISO4762	Screw CHC M6x16z		2
76	0300011222	VIS H M12x50 Z cl8.8 ISO 4014	SCREW HM 12x50z		1
77	0300011003	VIS H 10 X 35 FST Z NFEN 24017	SCREW HM 10X35Z FST		1
78	0300010842	VIS H 8x60 Z EMB CR DIN 6921 CL 8.8	SCREW H 8x60 Z DIN 6921 NOTCHED SHOULDER CL 8.8		5
79	0300010834	VIS H 8x35 Z EMB CR DIN 6921	SCREW H 8x35 Z DIN 6921 NOTCHED SHOULDER CL 6.8		2
80	0300010824	Vis HM 8x90 z FST	SCREW HM8x90z DIN 6921 NOTCHED SCHOULDER		1
81	0300010817	VIS H 8x40 Z EMB CR DIN 6921	SCREW H M8 X 40		2
82	0300010816	VIS H 8x20 Z EMB CR	SCREW H M8X20 Z NOTCHED SHOULDER CL 8.8		1
83	0300010609	VIS H 6x16 Z EMB CR DIN 6921	SCREW HM 6X16 Z NOTCHED SHOULD		2
84	0300010505	VIS H 5 x 12 EMB CR	SCREW H NOTCHED SHOULDER X 12		6
85	0002010538	VIS H M8X125	SCREW H M8x125		1



Rep N°	Ref.	Désignation	Description	Qte
1	0002011101	CARTER G	T/M CASE LH	1
2	0002011102	CARTER D	T/M CASE RH	1
3	0300010846	VIS HM 8 X 30 EMB CR	SCREW HM8 X 30 NOTCHED SHOULDER	8
4	0300010837	VIS HM8 X 55 EMB CR	SCREW HM8 X 55 NOTCHED SHOULDER	8
5	0300260801	ECROU M8 EMB CR	NUT M8 NOTCHED SHOULDER	17
6	0002010203	BOUCHON DE VIDANGE	DRAIN PLUG	1
7	0002010354	BOUCHON	PLUG	1
8	0002010204	RONDELLE D'ETANCHEITE	SEAL WASHER	1
9	0002011103	TOLE RENFORT CARTER	COVER	2
10	0002011104	RESSORT	SPRING	1
11	0002011105	ARBRE 1	SHAFT 1	1
12	0002011106	PIGNON 15 DENTS	GEAR 15	1
13	0002010357	BAGUE BA2L 15X25X7	OIL SEAL	1
14	0306010009	ROULEMENT 6200	BEARING 6200	2
15	0306010038	ROULEMENT 6202	BEARING 6202	2
16	0002011107	ARBRE 2	SHAFT 2	1
17	0002011108	PIGNON 21-44 DENTS	GEAR 21-44	1
18	0002011109	PIGNON 15-44 DENTS	GEAR 15-44	1
19	0002011110	PIGNON 15 DENTS	GEAR 15	1
20	0002010191	RONDELLE 15x25x1	LINER B	1
21	0002010077	ROULEMENT A AIGUILLES 18X22X13	NEEDLE BEARING 18X22X13	2
22	0002011111	ARBRE 3	SHAFT 3	1
23	0002011112	PIGNON 15-44	GEAR 15-44	1
24	0306010060	ROULEMENT 6301	BEARING 6301	1
25	0002010330	ROULEMENT 6302	BEARING 6302	1
26	0306020046	CHAINE PAS 15.875 / 44 MAILLONS	CHAIN PITCH 15.875 / 44 LINKS	1
27	0002011113	ARBRE 4	SHAFT 4	1
28	0002011114	PIGNON 15 -23 DENTS	GEAR 15-23	1
29	0002010362	RONDELLE DE CALAGE	THRUST LINER	2
30	0002011115	ENTRETOISE	BUSHING	2
31	0002011116	ARBRE DE ROUES	FINAL SHAFT	1
32	0002011117	PIGNON 58 DENTS	GEAR 58	1
33	0301070007	CIRCLIPS EXTERIEUR 20	C RING Ø20	2
34	0002010227	CIRCLIPS Ø22 EXT	C RING Ø22	2
35	0306010026	ROULEMENT 6004	BEARING 6004	2
36	0002010333	JOINT D'ETANCHEITE	OIL SEAL	2
37	0002011118	ARBRE DE FRAISES	ROTARY SHAFT	1
38	0002010079	ROULEMENT 6005	BEARING 6005	2
39	0002010086	JOINT D'ETANCHEITE	OIL SEAL	2
40	0002011119	AXE DE VITESSES	SHIFTER	1
41	0002010002	BAGUE BA2L 12X22X7	OIL SEAL	1
42	0002010088	BAGUE BOUCHON 20X7	SEAL CAP	1
43	0002010300	PLAT	PLATE	1
44	0002010197	RESSORT	SPRING	1
45	0002010196	BILLE 1/4	BALL	1
46	0300090602	VIS M6X16 EMB CR DIN7500	SCREW M6X16 NOTCHED SHOULDER DIN7500	1
47	0002010538	VIS M8X125	SCREW M8X125	1
48	0300011023	VIS H M10x90	SCREW H M10x90	2
49	0300451001	RONDELLE GROWER 10	S. WASHER 10	2
50	0300261001	ECROU HM 10 ZEMB CR DIN 6923	NUT H M10 NOTCHED SHOULDER	2