

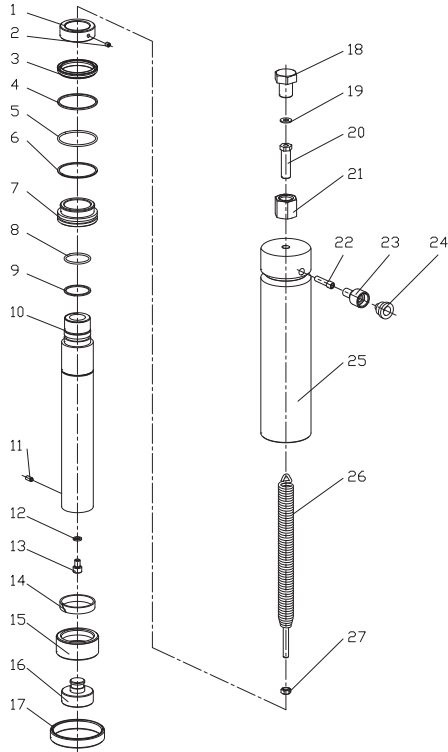
PARTS LIST

SHOP PRESS PARTS LIST (figure a)

No.	Description	QTY
1	base section	2
2	bolt M10x25	4
3	bolt M12X35	4
4	knighthead	4
5	bolt M10x30	2
6	washer 10	10
7	spring washer 10	10
8	nut M10	10
9	spring washer 12	6
10	washer 12	6
11	nut M12	6
12	post	2
13	bed frame pin	2
14	bolt M8x16	1
15	washer 8	1
16	bolt M6x16	1
17	washer 6	1
18	setting plate	1

No.	Description	QTY
19	bolt M12X30	2
20	press pump	1
21	bed frame	2
22	heel block	2
23	lower cross member	1
24	under plate	1
25	bolt M16X35	8
26	spring washer 16	8
27	washer 16	8
28	nut M16	8
29	upper crossbeam	2
30	bolt M8x25	2
31	ram	1
32	nylon ring	1
33	press gauge	1
34	bolt M10x130	4
35	support pins	4
36	spring washer 8	1
37	spring washer 6	1

RAM PARTS LIST (b)

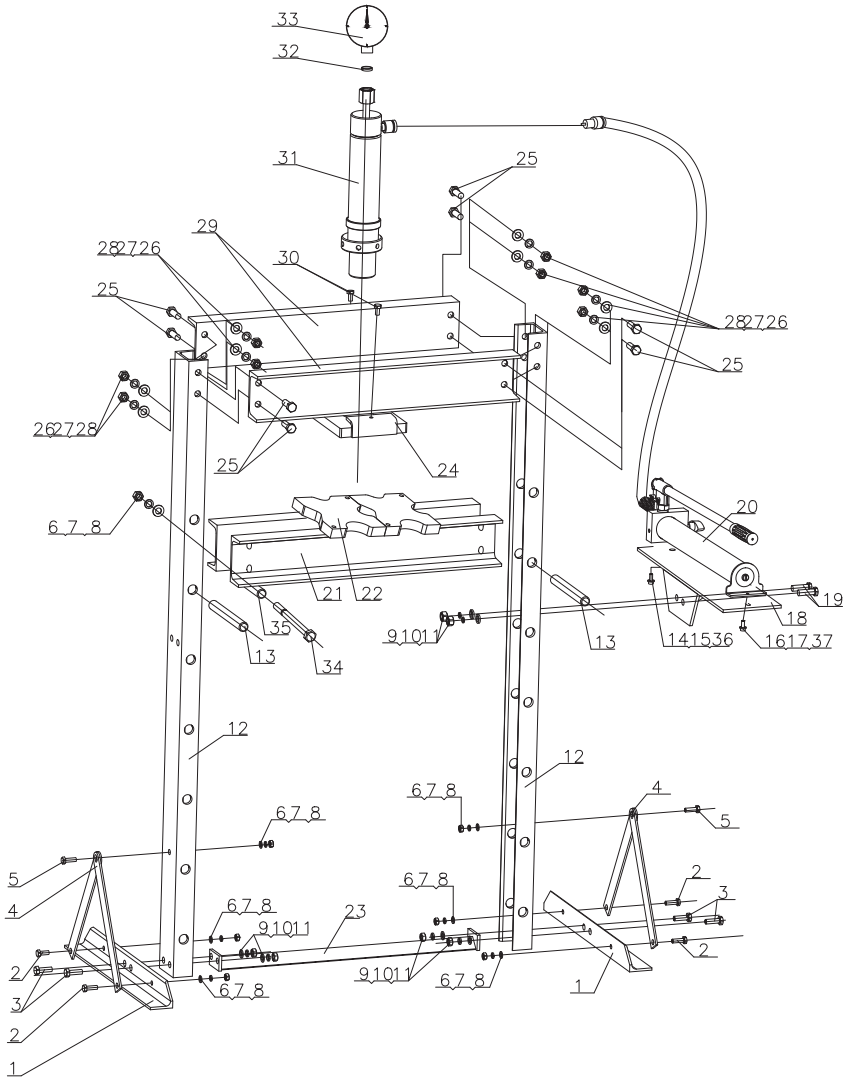


RAM PARTS LIST (figure b)

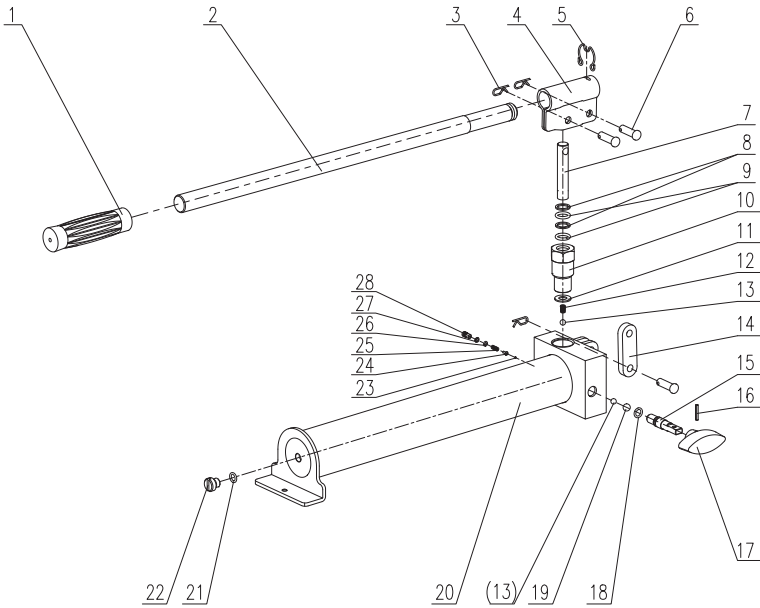
No.	Description	QTY
1	spacing ring	1
2	screw M6X6	1
3	Y-ring	1
4	back ring	1
5	O-ring	1
6	nylon ring	1
7	piston ring	1
8	O-ring	1
9	ring	1
10	piston	1
11	screw M6X12	1
12	sealing washer	1
13	bolt M8X12	1
14	guide ring	1

No.	Description	QTY
15	upper collar	1
16	toe	1
17	lower securing collar	1
18	boat M20X25	1
19	sealing washer	1
20	gauge coupler	1
21	gauge connection nut	1
22	bolt	1
23	coupler	1
24	dust cap	1
25	cylinder	1
26	spring	1
27	nut M8	1

SHOP PRESS PARTS LIST (a)



PUMP PARTS LIST (C)



PUMP PARTS LIST (figure c)

No.	Description	QTY
1	handle grip	1
2	handle	1
3	torsional spring latch	3
4	socket	1
5	socket spring	1
6	pin	3
7	piston	1
8	seal	2
9	O-ring	2
10	clamping nut	1
11	copper pad	1
12	spring	1
13	6mm stell ball	2
14	connecting rod	1

No.	Description	QTY
5	release valve stem	1
16	pin	1
17	release valve stem handle	1
18	O-ring	1
19	8mm stell ball	1
20	base	1
21	O-ring 8.5×2.65G	1
22	seal screw	1
23	2mm stell ball	1
24	spring plate	1
25	spring	1
26	O-ring	1
27	seal	1
28	pressure adjusting screw	1