

# ESPLOSO EXPLODED VIEW

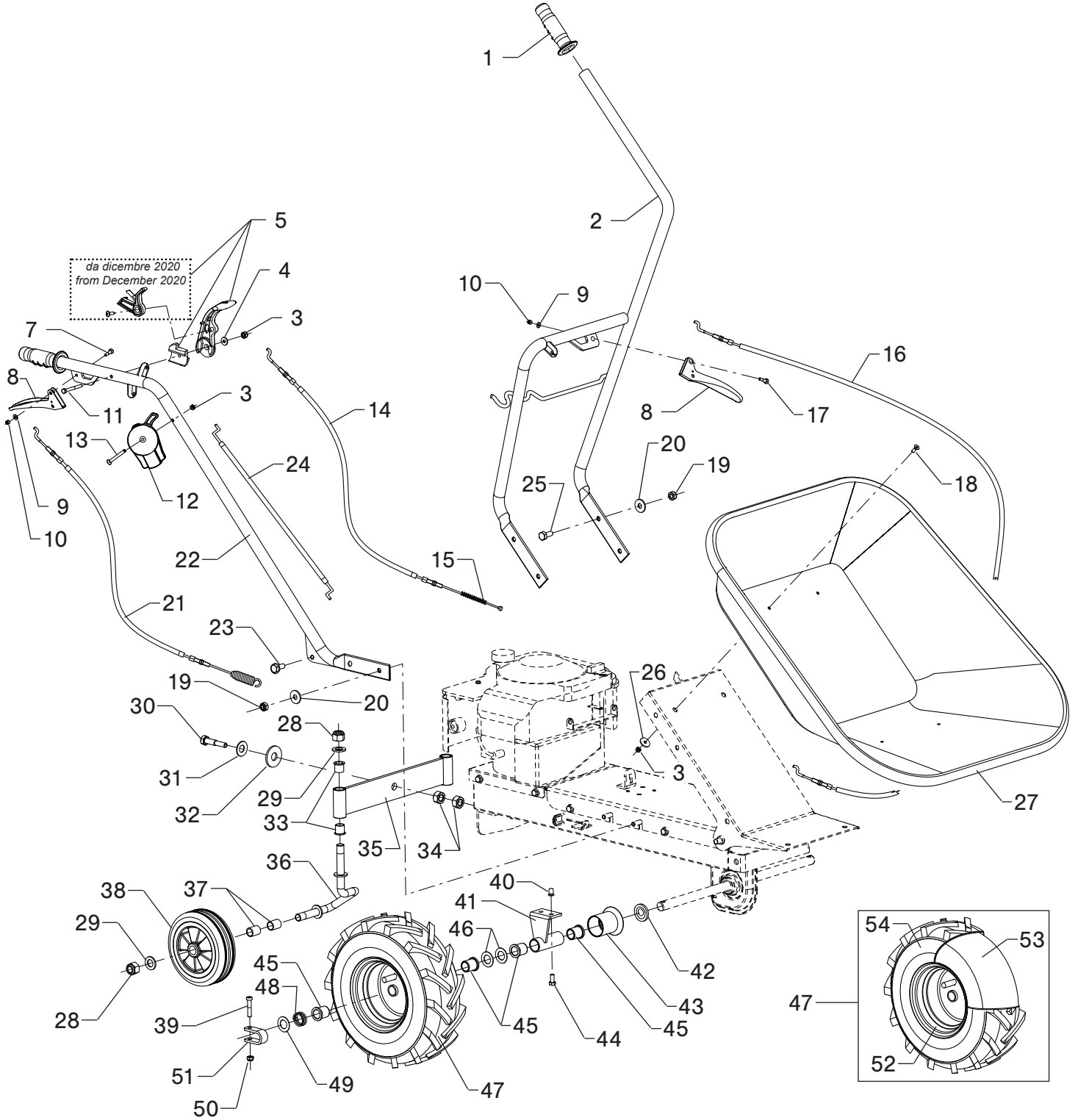


# CARRY

02/2022

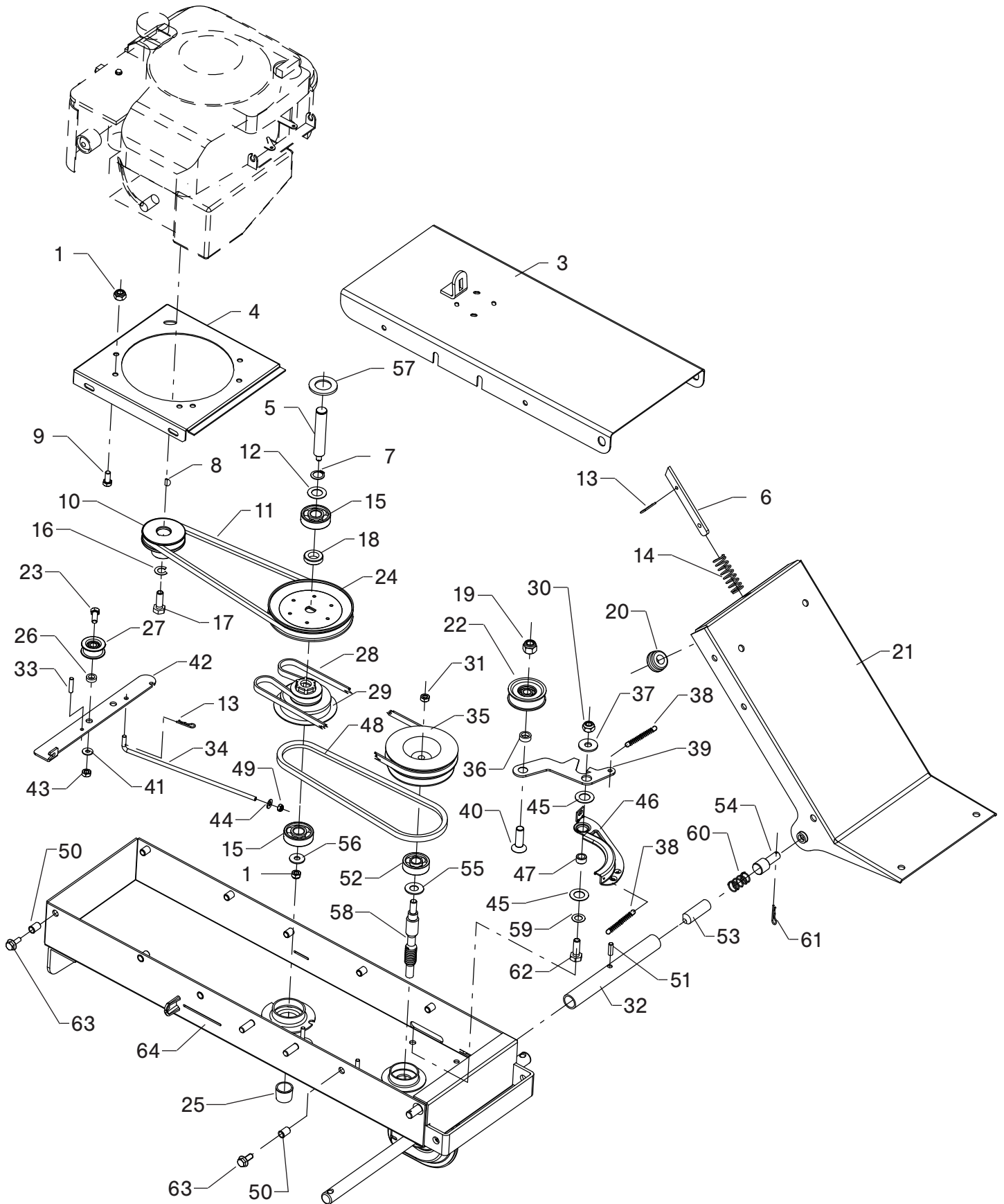


Via G.Pastore, 8 | Zona industriale | 42045 Luzzara (RE) | Italy | (t) +39 0522 977169 | (f) +39 0522 977819 |  
(m) info@eurosystems-spa.com | (w) www.eurosystems-spa.it



<b>1</b>	<b>231050906</b>	Manopola   Handle
<b>2</b>	<b>350010050</b>	Manubrio sinistro   Left handlebar
<b>3</b>	<b>814548000</b>	Dado   Nut
<b>4</b>	<b>843619000</b>	Rondella   Washer
<b>5</b>	<b>330010908</b>	Leva Retromarcia completa   Reverse lever kit
<b>7</b>	<b>260010216</b>	Vite   Screw
<b>8</b>	<b>260050258</b>	Leva   Lever
<b>9</b>	<b>843605010</b>	Rondella   Washer
<b>10</b>	<b>814530080</b>	Dado   Nut
<b>11</b>	<b>862470100</b>	Vite   Screw
<b>12</b>	<b>321010920</b>	Acceleratore   Throttle control (B&S 450E series)
-	<b>321010930</b>	Acceleratore   Throttle control (Honda GCV160)
<b>13</b>	<b>862356200</b>	Vite   Screw
<b>14</b>	<b>350010120</b>	Cavo   Cable
<b>15</b>	<b>350010130</b>	Molla   Spring
<b>16</b>	<b>350010100</b>	Cavo   Cable
<b>17</b>	<b>260010216</b>	Vite   Screw
<b>18</b>	<b>862168000</b>	Vite   Screw
<b>19</b>	<b>814645000</b>	Dado   Nut
<b>20</b>	<b>843818000</b>	Rondella   Washer
<b>21</b>	<b>350010110</b>	Cavo   Cable
<b>22</b>	<b>350010070</b>	Manubrio destro   Right handlebar
<b>23</b>	<b>862556000</b>	Vite   Screw
<b>24</b>	<b>261050224</b>	Cavo   Cable
<b>25</b>	<b>863254000</b>	Vite   Screw
<b>26</b>	<b>843622000</b>	Rondella   Washer
<b>27</b>	<b>350005303</b>	Vasca   Tank

<b>28</b>	<b>814794000</b>	Dado   Nut
<b>29</b>	<b>843994000</b>	Rondella   Washer
<b>30</b>	<b>864394100</b>	Vite   Screw
<b>31</b>	<b>846000000</b>	Molla a tazza   Spring
<b>32</b>	<b>844084500</b>	Rondella   Washer
<b>33</b>	<b>340005110</b>	Bronzina   Bronze bushing
<b>34</b>	<b>814787000</b>	Dado   Nut
<b>35</b>	<b>350015200</b>	Assale ruote   Wheels axle
<b>36</b>	<b>341005130</b>	Supporto ruota   Wheel support
<b>37</b>	<b>341005134</b>	Bronzina   Bronze bushing
<b>38</b>	<b>341005132</b>	Ruota   Wheel
<b>39</b>	<b>862860005</b>	Vite   Screw
<b>40</b>	<b>808994000</b>	Inserto filettato   Threaded insert
<b>41</b>	<b>350015112</b>	Supporto ruota   Wheel support
<b>42</b>	<b>802060000</b>	Anello tenuta   Oil seal
<b>43</b>	<b>300005115</b>	Parapolvere   Dust protection
<b>44</b>	<b>862556000</b>	Vite   Screw
<b>45</b>	<b>341012128</b>	Boccola nylon   Nylon bushing
<b>46</b>	<b>330015016</b>	Distanziale   Spacer
<b>47</b>	<b>330015004</b>	Ruota   Wheel (destro, right, recht, droite)
-	<b>330015025</b>	Ruota   Wheel (sinistro, left, links, gauche)
<b>48</b>	<b>330015017</b>	Molla   Spring
<b>49</b>	<b>330015015</b>	Distanziale   Spacer
<b>50</b>	<b>814588000</b>	Dado   Nut
<b>51</b>	<b>330015012</b>	Forcella   Fork
<b>52</b>	<b>330015003</b>	Cerchione   Wheel rim
<b>53</b>	<b>321015254</b>	Camera d'aria   Tube
<b>54</b>	<b>321015255</b>	Pneumatico   Tyre



<b>1</b>	<b>814599000</b>	Dado   Nut
<b>3</b>	<b>350005090</b>	Coperchio   Metal Cover
<b>4</b>	<b>350005501</b>	Piastra   Plate
<b>5</b>	<b>351005100</b>	Albero   Shaft
<b>6</b>	<b>350010201</b>	Leva   Lever
<b>7</b>	<b>801120000</b>	Anello seeger   Seeger ring
<b>8</b>	<b>260050202</b>	Chiavetta   Shaft key
<b>9</b>	<b>862686000</b>	Vite   Screw
<b>10</b>	<b>321025100</b>	Puleggia   Pulley
<b>11</b>	<b>350025255</b>	Cinghia   Belt
<b>12</b>	<b>270013596</b>	Distanziale   Spacer
<b>13</b>	<b>851350000</b>	Spilla di sicurezza   Safety pin
<b>14</b>	<b>350010210</b>	Molla   Spring
<b>15</b>	<b>812594050</b>	Cuscinetto   Bearing
<b>16</b>	<b>843755000</b>	Rondella elastica   Elastic washer
<b>17</b>	<b>260050201</b>	Vite   Screw
<b>18</b>	<b>231005258</b>	Distanziale   Spacer
<b>19</b>	<b>814703000</b>	Dado   Nut
<b>20</b>	<b>220010909</b>	Passafilo   Cable grommet
<b>21</b>	<b>350005403</b>	Piastra   Plate
<b>22</b>	<b>260005906</b>	Tendicinghia   Idler pulley
<b>23</b>	<b>863254000</b>	Vite   Screw
<b>24</b>	<b>261005203</b>	Puleggia   Pulley
<b>25</b>	<b>350005900</b>	Tappo   Stopper
<b>26</b>	<b>260005299</b>	Distanziale   Spacer
<b>27</b>	<b>260005365</b>	Tendicinghia   Idler pulley
<b>28</b>	<b>260050927</b>	Cinghia   Belt
<b>29</b>	<b>351005101</b>	Puleggia   Pulley
<b>30</b>	<b>814645000</b>	Dado   Nut
<b>31</b>	<b>814667000</b>	Dado   Nut
<b>32</b>	<b>350005464</b>	Tubo rotazione vasca   Pipe
<b>33</b>	<b>851182000</b>	Spina   Pin

<b>34</b>	<b>351005311</b>	Asta impedimento   Movement Impairing
<b>35</b>	<b>350005024</b>	Puleggia   Pulley
<b>36</b>	<b>351005220</b>	Distanziale   Spacer
<b>37</b>	<b>843818000</b>	Rondella   Washer
<b>38</b>	<b>350005220</b>	Molla   Spring
<b>39</b>	<b>351005211</b>	Leva tendicinghia   Idler pulley support
<b>40</b>	<b>863947000</b>	Vite   Screw
<b>41</b>	<b>843763000</b>	Rondella   Washer
<b>42</b>	<b>351005301</b>	Leva tendicinghia   Idler pulley support
<b>43</b>	<b>814627000</b>	Dado   Nut
<b>44</b>	<b>843619000</b>	Rondella   Washer
<b>45</b>	<b>270013596</b>	Distanziale   Spacer
<b>46</b>	<b>350005201</b>	Leva freno   Brake lever
<b>47</b>	<b>351005215</b>	Distanziale   Spacer
<b>48</b>	<b>351005200</b>	Cinghia   Belt
<b>49</b>	<b>814548000</b>	Dado   Nut
<b>50</b>	<b>808991000</b>	Inserito filettato   Threaded insert
<b>51</b>	<b>851374000</b>	Spina   Pin
<b>52</b>	<b>811050160</b>	Cuscinetto   Bearing
<b>53</b>	<b>350005452</b>	Perno   Pin
<b>54</b>	<b>350005466</b>	Perno rotazione vasca   Pin
<b>55</b>	<b>321005900</b>	Guarnizione   Gasket
<b>56</b>	<b>843708000</b>	Rondella   Washer
<b>57</b>	<b>351005230</b>	Distanziale   Spacer
<b>58</b>	<b>321005200</b>	Vite senza fine   Endless screw
<b>59</b>	<b>360005220</b>	Distanziale   Spacer
<b>60</b>	<b>350005458</b>	Molla   Spring
<b>61</b>	<b>851357000</b>	Spilla di sicurezza   Safety pin
<b>62</b>	<b>863276000</b>	Vite   Screw
<b>63</b>	<b>862556000</b>	Vite   Screw
<b>64</b>	<b>350005060</b>	Telaio   Frame