

# Meuleuse GA5030



Item	Parts_No.	Parts_Description	Qty	Unit
1	623533-4	FIELD 220-240V	1	PC.
2	450796-7	BAFFLE PLATE	1	PC.
3	421868-5	LABYRINTH RUBBER RING 19	1	PC.
4	210034-7	BALL BEARING 607LLB	1	PC.
5	681636-0	INSULATION WASHER	1	PC.
6	517649-4	ARMATURE ASS'Y 240V	1	PC.
6		INC. 457	0	
7	240107-2	FAN 56	1	PC.
8	413126-3	GUIDE PLATE	1	PC.
9	213445-5	O-RING 26	1	PC.
10	211092-6	BALL BEARING 629DDW	1	PC.
11	227545-5	SPIRAL BEVEL GEAR 10	1	PC.
12	252186-8	HEX. NUT M6	1	PC.
13	417771-6	PIN CAP	1	PC.
14	234057-1	COMPRESSION SPRING 8	1	PC.
15	266324-6	TAPPING SCREW 4X22	4	PC.
16	213960-9	O RING 5	1	PC.
016-1	213032-0	O RING 4	1	PC.
17	256510-7	SHOULDER PIN 4	1	PC.
18	318335-8	GEAR HOUSING	1	PC.
19	263002-9	RUBBER PIN 4	1	PC.
20	210033-9	BALL BEARING 696ZZ	1	PC.
21	233950-6	RING SPRING 11	1	PC.
22	962105-3	RETAINING RING R-26	1	PC.
23	227546-3	SPIRAL BEVEL GEAR 37	1	PC.
24	962151-6	RETAINING RING R-32	1	PC.
25	211129-9	BALL BEARING 6201DDW	1	PC.
26	267113-2	FLAT WASHER 12	1	PC.
27	213561-3	O RING 42	1	PC.
28	318336-6	BEARING BOX	1	PC.
29	265099-4	PAN HEAD SCREW M4X14	4	PC.
30	345464-4	LABYRINTH RING	1	PC.
32	324954-0	SPINDLE	1	PC.
33	265180-1	PAN HEAD SCREW M5X16	1	PC.
34	135242-8	TOOLLESS WHEEL COVER 125 ASS'Y	1	PC.
34		INC. 33	0	
034-1	122895-2	TOOLLESS WHEEL COVER 125 ASS'Y	1	
034-1	213009-5	O RING 4	1	PC.
034-1		INC. 33	0	
35	224415-9	INNER FLANGE 42	1	PC.
36	224554-5	LOCK NUT 14-45	1	PC.
37	266325-4	TAPPING SCREW 4X70	2	PC.
38	866062-6	GA5030 NAME PLATE	1	PC.
40	643839-4	BRUSH HOLDER 6X9	1	PC.
41	194722-3	CARBON BRUSH CB-459	1	SET
43	650560-8	SWITCH DPX-2110-R	1	PC.
44	687681-3	STRAIN RELIEF	1	PC.
45	266326-2	TAPPING SCREW 4X18	1	PC.
46	645200-1	NOISE SUPPRESSOR	1	PC.
47	682559-5	CORD GUARD 8	1	PC.
48	665394-6	POWER SUPPLY CORD 1.0-2-2.5	1	PC.
49	419566-3	SWITCH KNOB	1	PC.
50	450795-9	MOTOR HOUSING	1	PC.
050-1	451128-1	MOTOR HOUSING	1	PC.
51	643839-4	BRUSH HOLDER 6X9	1	PC.
52	233121-5	COMPRESSION SPRING 4	1	PC.
53	450797-5	SWITCH LEVER	1	PC.
54	450794-1	REAR COVER	1	PC.

# Meuleuse GA5030

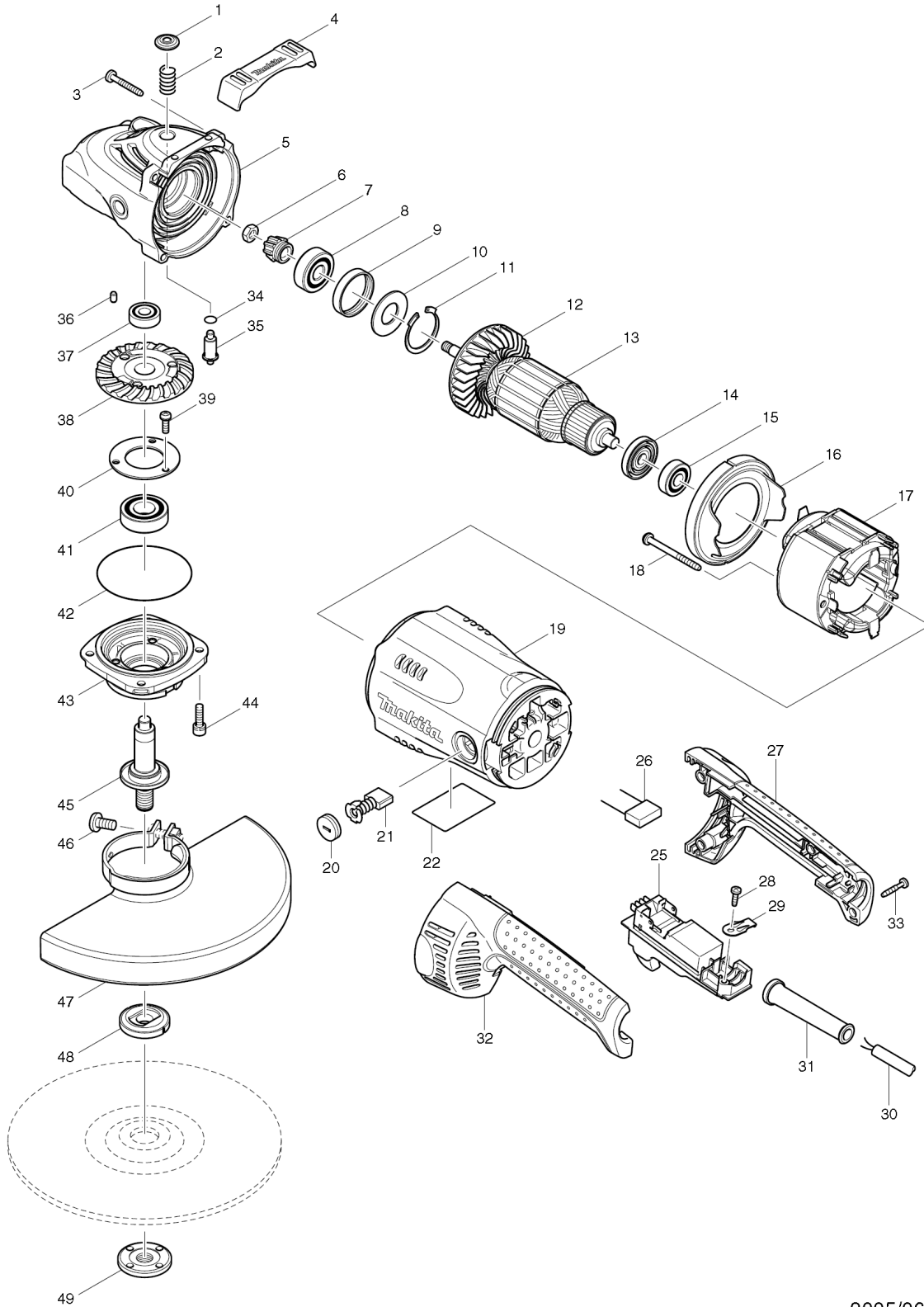


55	266326-2	TAPPING SCREW 4X18	1	PC.
56	265954-0	TAPPING SCREW BIND PT3X8	2	PC.
056-1	266492-5	TAPPING SCREW 3X8	2	PC.
57	819327-5	CLEAR LABEL	1	PC.
A01	153489-2	GRIP 36 COMPLETE	1	PC.
A02	782423-1	LOCK NUT WRENCH 35	1	PC.
A03	824736-5	PLASTIC CARRYING CASE	1	PC.
A03	182935-8	SLIDE LATCH (R.L) SET	1	SET
A03A	823296-4	ALUMINIUM CASE	1	PC.
A04	163505-2	TOOLLESS WHEEL COVER 125CK	1	PC.
A04-1	122905-5	TOOLLESS WHEELCOVER 125CK ASSY	1	
A04-1	265180-1	PAN HEAD SCREW M5X16	1	PC.
A04-1	213009-5	O RING 4	1	PC.
A05	265180-1	PAN HEAD SCREW M5X16	1	PC.
A06	D-18770	THIN CUTTING 125X1.2 WA60T	2	PC.
A07	D-18677	CUTTING WHEEL 125X2.5 A30S	5	PC.
A08	A-84115	DIAMOND WHEEL SEGMENTED125MM	1	PC.
A09	D-18465	GRINDING WHEEL 125X6 A24R	1	PC.
E01	808153-7	SAFETY INSTRUCTION LABEL	1	PC.

# GA9020

## Meuleuse

Date 12/04/2011 Page 1/ 3



2005/06  
GA9020

# GA9020

## Meuleuse

Date 12/04/2011 Page 2/ 3



Repère	Code	Désignation	Qté	Class.	Bar.	Note Technique
1	419133-4	POUSSOIR	1	03	1	75309
2	233292-8	RESSORT BOUDIN 12	1	03	1	
3	266012-5	VIS 5X35	4	03	2	88571
4	419144-9	PROTECTEUR	1	03	1	
5-1	154685-5	CARTER D'ENGRENAGE GA9020	1	03	19	Y05442
5-2	262118-7	ANNEAU 18	1	03	1	Y05442
6	252194-9	ECROU HEX M8	1	03	1	
7	227490-4	PIGNON 12	1	03	7	
8	211132-0	ROULEMENT A BILLES 6301DDW	1	03	19	
9	262085-6	BAGUE CAOUTCHOUC 9079SF	1	03	1	
10	267299-2	RONDELLE PLATE 20	1	03	1	
11	962211-4	CIRCLIP MOD R INT 42	1	03	10	
13/12	240081-4	VENTILATEUR 80	1	03	5	
13	517793-7	INDUIT GA9020	1	03	29	83838
13/14	681630-2	RONDELLE ISOLANTE	1	03	5	
13/15	210075-3	ROULEMENT A BILLES 6200DDW	1	03	3	
16	419135-0	COURONNE	1	03	1	
17-1	526179-4	INDUCTEUR GA9020	1	03	28	82615
17-2	654197-3	CONNEXION	2	03	5	82615
17-3	654502-4	MANCHON A SERTIR 2.0 NON ISOLE	2	03	2	82615
18	266044-2	VIS 5X60	2	03	5	88571
19	154671-6	CARTER MOTEUR	1	03	20	
19	643712-8	PORTE CHARBON 9079SF	2	03	13	
20	643700-5	BOUCHON PORTE CHARBON 7-18	2	03	4	
21	191957-7	JEU DE CHARBON CB-204 (206)	1	03	19	
22	861762-3	PLAQUE NOM GA9020	1	03	1	
25	650102-8	INTERRUPTEUR GA9020-GA9030	1	03	22	82694
26	645088-9	ANTIPARASITE	1	03	1	
27-1	188059-8	JEU DE POIGNEE GA9020	1	03	21	
27-2	423350-0	MOUSSE	1	03	1	
28	266192-7	VIS AUTOFOREUSE 4X14	1	03	1	88571
29	687169-3	BARETTE DE FIXATION HP1621F	1	03	1	
30	695107-1	CABLE D'ALIMENT1.00-2-3,0	1	03	23	
31	682560-0	MANCHON DU CABLE HR3000C	1	03	4	
27/32-1	188059-8	JEU DE POIGNEE GA9020	1	03	21	
27/32-2	423350-0	MOUSSE	1	03	1	
33	265999-8	VIS A COLLERETTE 4X25	4	03	1	88571
34	213062-1	O'RING 9	1	03	1	
35	256491-5	AXE 5	1	03	1	75309
36	263002-9	CHEVILLE CAOUTCHOUC 4	1	03	1	
37	210067-2	ROULEMENT 6000ZZ	1	03	2	
38	227491-2	PIGNON 53A	1	03	16	
39	265120-9	VIS M5X16	3	03	1	
40	285724-1	SUPPORT ROULEMENT 50	1	03	1	
41	211285-5	ROULEMENT A BILLES 6203DDW	1	03	4	
42	213760-7	O'RING 78	1	03	4	
43	318377-2	PALIER DE ROULEMENT	1	03	11	86001
44	265541-5	VIS M6X22	4	03	1	
45-1	158206-5	AXE COMPLET GA9020	1	03	10	76969
45-2	345629-8	BAGUE CAOUTCHOUC 25	1	03	1	76969
47/46	265158-4	VIS	1	03	1	

# GA9020

## Meuleuse

Date 12/04/2011 Page 3/ 3



Repère	Code	Désignation	Qté	Class.	Bar.	Note Technique
47-1	122891-0	CARTER DE PROTECTION	1	03	22	86001
47-2	213017-6	O RING 6	1	03	1	86001
48	224415-9	FLASQUE INTER 42	1	03	4	79400
49	224543-0	ECROU 14-45 DIN	1	03	20	
50	233946-7	CIRCLIP 15	1	03	1	76969

### Accessoires

Repère	Code	Désignation	Qté	Class.	Bar.	Note Technique
A01	152539-0	POIGNEE 36	1	02	12	
A02	782407-9	CLE A ERGOTS 35	1	02	13	
A03-1	824958-7	COFFRET PLASTIQUE GA9020/30/40	1	02	29	87869
A03-2	163455-1	CLIP COFFRET	2	02	3	87869
A05	P-44155	D.DIAMANT 230X22,2 UNIV.	1	02	30	
A06-1	194684-5	KIT SUPPORT POIGNEE GA902-3-40	1	02	19	
A06-2	921731-7	ECROU HEX.M14X20	2	03	2	