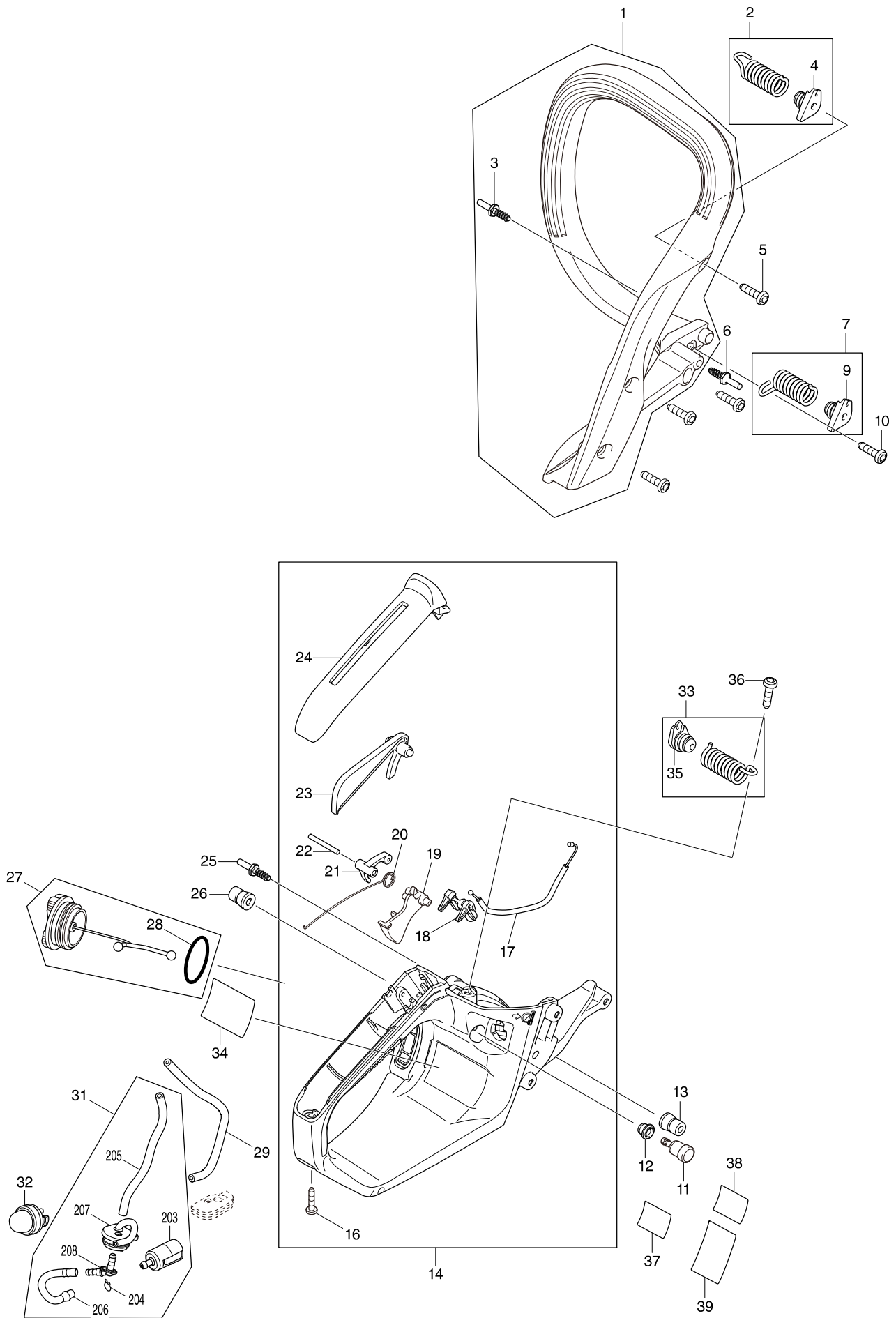


# Numéro du modèle PS352TLC PETROL CHAIN SAW



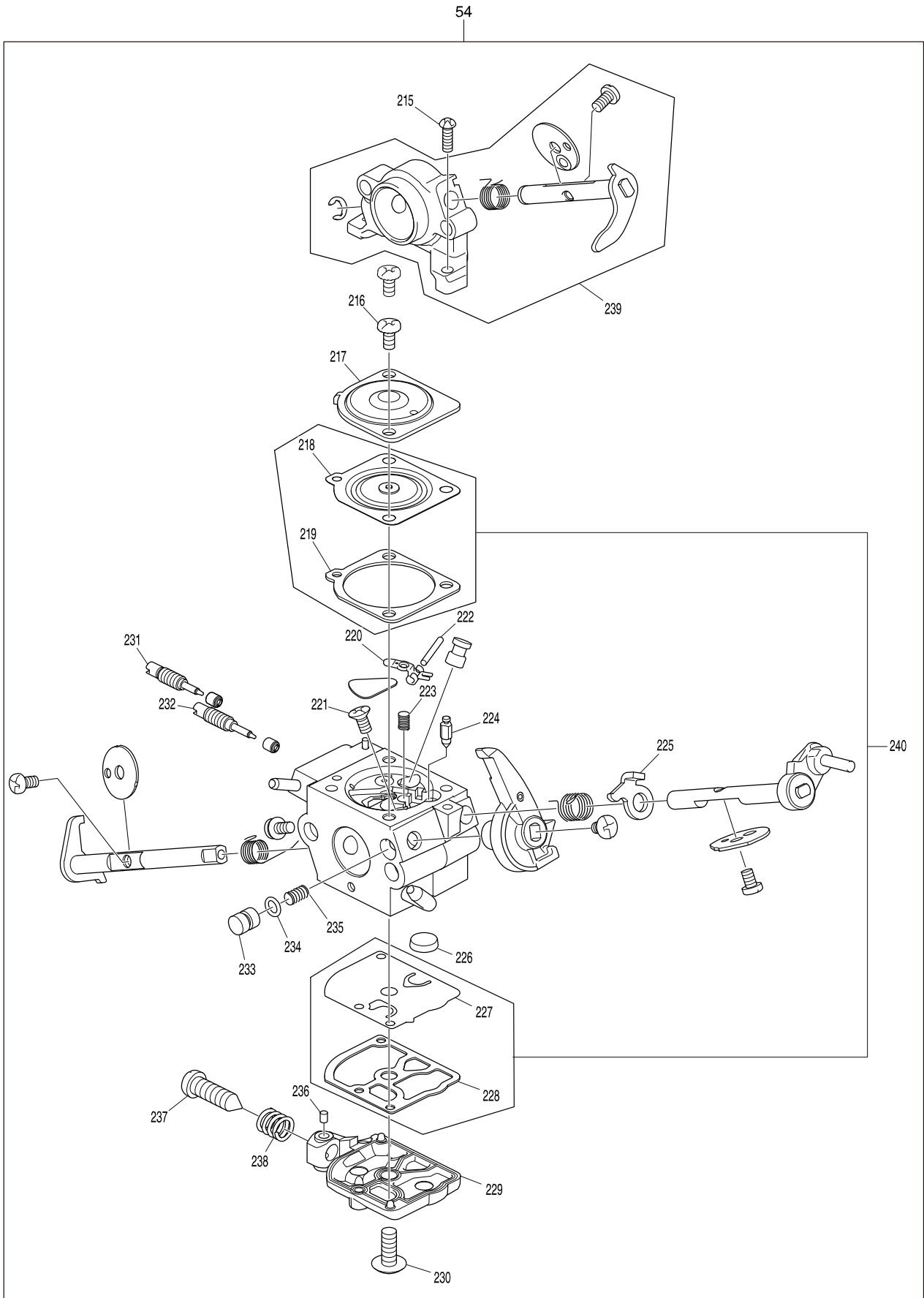








# Numéro du modèle PS352TLC PETROL CHAIN SAW



Position	Référence pièce	Description	Echelle	QTE	N/O	Option 1	Option 2	COMMENTAIRE
001	142225-1	FRONT HANDLE COMPLETE		1				
D10		INC. 3						
002	142226-9	DAMPER SPRING R COMPLETE		1				
D10		INC. 4						
003	326339-6	STOPPER PIN		1				
004	454506-4	SPRING HOLDER		1				
005	266856-3	H.L. TAPPING SCREW 5X20		4				
006	326339-6	STOPPER PIN		1				
007	142227-7	DAMPER SPRING F COMPLETE		1				
D10		INC. 9						
009	454506-4	SPRING HOLDER		1				
010	266856-3	H.L. TAPPING SCREW 5X20		1				
011	168396-6	VIS BOUTON		1		P7		
012	424576-7	GROMMET		1				
013	424577-5	SIDE STOPPER		1				
014	126346-7	RIGHT HANDLE ASSEMBLY		1				
D10		INC. 16-24						
016	266858-9	H.L. TAPPING SCREW 4X18		1				
017	168812-8	THROTTLE CABLE		1				
018	454501-4	CABLE BRACKET		1				
019	454499-5	THROTTLE LEVER		1				
020	233606-1	RETURN SPRING		1				
021	454500-6	CABLE PULL LEVER		1				
022	268187-6	PIN 3		1				
023	454502-2	LOCKOUT LEVER		1				
024	454503-0	GRIP COVER		1				
025	326339-6	STOPPER PIN		1				
026	424577-5	SIDE STOPPER		1				
027	168507-3	BOUCHON RESERVOIR CPL		1	*	P3		
D10		INC. 28			*			
027-1	168823-3	TANK CAP COMPLETE	O	1				
D10		INC. 28						
028	213080-9	JOINT 29,3 X 3,6		1		P1		
029	422116-5	JOINT PIPE		1				
030	424573-3	DUST GROMMET		1				
031	126347-5	FUEL PIPE ASSEMBLY		1				
D10		INC. 203-208						
032	168398-2	POMPE PRIMER		1		P6		
033	142226-9	DAMPER SPRING R COMPLETE		1				
D10		INC. 35						
034	814S97-5	PS-352 TLC NAME PLATE		1				
035	454506-4	SPRING HOLDER		1				
036	266856-3	H.L. TAPPING SCREW 5X20		1				
038	805U48-1	SOUND 111DB LABEL		1				
039	801Y91-2	GAS EMISSION APPROVAL LABEL		1				
040	142240-5	CLEANER COVER COMPLETE		1				
C10	263002-9	CHEVILLE CAOUTCHOUC 4		1		P1		
041	266858-9	H.L. TAPPING SCREW 4X18		3				

Position	Référence pièce	Description	Echelle	QTE	N/O	Option 1	Option 2	COMMENTAIRE
042	126344-1	CYLINDER COVER ASSEMBLY		1				
D10		INC. 209-212						
043	632A97-3	SWITCH CORD		1				
044	632A98-1	EARTH CORD		1				
045	454532-3	MANIFOLD		1				
046	126370-0	CLEANER ASSEMBLY		1				
C10	454537-3	KNOB		1				
047	346704-3	EARTH PLATE		1				
048	346705-1	SWITCH SPRING		1				
049	266860-2	H.L. TAPPING SCREW 4X45		2				
050	266861-0	H.L. TAPPING SCREW 4X22		2				
051	424582-2	DAMPER		1				
052	454533-1	SWITCH LEVER		1				
053	424582-2	DAMPER		1				
054	168819-4	CARBURETOR ASSEMBLY		1				
D10		INC. 215-239						
055	454531-5	BRACKET		1				
056	266848-2	H.L.HEAD BIND BOLT M4X16		2				
057	454488-0	BUFFLE PLATE		1				
058	332074-6	INNER RING		1				
059	424571-7	INLET PIPE		1				
060	332075-4	INNER RING		1				
061	326304-5	SPACER		1				
062	413164-5	MUFFLER GASKET		1				
063	126342-5	MUFFLER ASSEMBLY		1				
D10		INC. 65,66						
065	352023-7	SCREEN		1				
066	266796-5	TAPPING SCREW 4X8		1				
067	266851-3	H.L.BIND BOLT M5X20		1				
068	266850-5	H.L.BIND BOLT M5X10		1				
069	266849-0	H.L.SOCKET HEAD BOLT M5X16		2				
070	346691-6	DUST COVER		1				
071	266936-5	H.L.BIND BOLT M4X8		1				
080	266859-7	H.L.SOCKET HEAD BOLT M5X12		1				
081	266847-4	H.L.SOCKET HEAD BOLT M5X20		4				
082	142223-5	CYLINDER COMPLETE		1				
083	649500-1	SPARK PLUG (BPMR8Y)		1				
084	257365-3	PISTON RING		2				
085	319023-0	PISTON		1				
086	268331-5	PISTON PIN		1				
087	212127-6	NEEDLE CAGE 1011		1				
088	346698-2	THRUST WASHER		2				
089	234307-4	RETEAINING RING		2				
090	142229-3	CRANK SHAFT COMPLETE		1				
091	413163-7	BASE GASKET		1				
092	266848-2	H.L.HEAD BIND BOLT M4X16		2				
093	424581-4	GROMMET		1				
094	126350-6	IGNITION COIL ASSEMBLY		1				



Position	Référence pièce	Description	Echelle	QTE	N/O	Option 1	Option 2	COMMENTAIRE
C10	424580-6	PLUG CAP		1				
095	454520-0	PLATE		1				
096	142224-3	CRANK CASE COMPLETE		1				
C10	213697-8	OIL SEAL		2				
097	266852-1	H.L.SOCKET HEAD BOLT M5X25		4				
098	413165-3	GASKET		1				
099	126343-3	REED VALVE		1				
104	911013-5	VIS TETE RONDE M3X10		2		P1		
105	319022-2	REED VALVE COVER		1				
106	266848-2	H.L.HEAD BIND BOLT M4X16		4				
107	266846-6	H.L.BIND BOLT M4X12		4				
108	454489-8	BRACKET		1				
109	424572-5	AIR BOOT		1				
110	911013-5	VIS TETE RONDE M3X10		2		P1		
111	126343-3	REED VALVE		1				
116	266854-7	H.L. BIND BOLT M5X14		1	*			
116-1	251500-5	H.L. BIND BOLT M5X14	O	1				
117	234207-8	RESSORT		1		P1		
118	452666-6	TETON DE TUYAU		1		P1		
120	346695-8	SPIKE BUMPER		1				
121	266857-1	H.L. TAPPING SCREW 5X16		2				
122	346694-0	GUIDE PLATE ES		1				
123	421298-0	VALVE		1		P10		
124	266854-7	H.L. BIND BOLT M5X14		3				
125	346722-1	CHAIN CATCHER		1				
126	266856-3	H.L. TAPPING SCREW 5X20		1				
127	454509-8	PUMP COVER		1				
128	266846-6	H.L.BIND BOLT M4X12		1				
129	267047-9	RONDELLE PLATE 10		1		P1		
130	221427-3	WORM GEAR		1				
131	212129-2	NEEDLE CAGE 1013		1				
132	165725-4	CLUTCH DRUM COMPLETE		1				
133	346693-2	BACK PLATE		1				
134	126348-3	CLUTCH ASSEMBLY		1				
C10	231883-9	TENSION SPRING 8		3				
138	424579-1	OIL PIPE (OUT)		1				
139	142156-4	OIL PUMP COMPLETE		1				
140	266846-6	H.L.BIND BOLT M4X12		1				
141	126349-1	OIL PIPE ASSEMBLY		1				
D10		INC. 117,118						
142	126374-2	CHAIN COVER ASSEMBLY		1				
D10		INC. 143-152,154-161						
143	266855-5	H.L. TAPPING SCREW 4X12		5				
144	454515-3	SPRING COVER		1				
145	233607-9	TORSION SPRING 6		1				
146	346702-7	LEVER		1				
147	313265-8	WEIGHT		1				
148	346699-0	GUIDE PLATE CS		1				

Position	Référence pièce	Description	Echelle	QTE	N/O	Option 1	Option 2	COMMENTAIRE
149	266166-8	VIS PT 3X8		1		P1		
150	227496-2	PIGNON CONIQUE DROIT 14		1		P7		
151	326310-0	ADJUST PIN		1				
152	326312-6	ADJUST SCREW		1				
154	234304-0	COMPRESSION SPRING 7		1				
155	142234-0	LEVER COMPLETE		1				
156	142119-0	BRAKE BAND COMPLETE		1	*			
156-1	143383-6	BRAKE BAND COMPLETE	S	1				
157	266855-5	H.L. TAPPING SCREW 4X12		2				
158	454549-6	CHAIN COVER		1	*			
158-1	456231-3	CHAIN COVER	<	1				
159	454519-5	NUT COVER		1				
160	142235-8	NUT COMPLETE		1				
161	142288-7	WHEEL COMPLETE		1				
C10	213011-8	O'RING 7		1		P2		
170	142228-5	FRONT GUARD COMPLETE		1				
C10	802E03-8	CAUTION LABEL		1				
171	266857-1	H.L. TAPPING SCREW 5X16		1				
172	346697-4	HOLDER		1				
173	346697-4	HOLDER		1				
174	266857-1	H.L. TAPPING SCREW 5X16		1				
175	266856-3	H.L. TAPPING SCREW 5X20		4				
176	801Y97-0	PS-352TLC MODEL NO. LABEL		1				
177	126352-2	RECOIL STARTER ASSEMBLY		1				
D10		INC. 178-185						
178	454522-6	STARTER GRIP		1				
179	142238-2	STARTER CASE COMPLETE		1				
180	SG00000020	SPRING ASSEMBLY		1				
181	SG00000025	STARTER ROPE		1				
182	454523-4	REEL		1				
183	SG00000023	DAMPER SPRING		1				
184	454524-2	RATCHET WHEEL		1				
185	266777-9	VIS 5 X 12		1		P1		
186	142213-8	FAN COVER COMPLETE		1				
187	264094-1	HEX.NUT M8-12 WITH CW		1				
188	142236-6	FLYWHEEL COMPLETE		1				
D10		INC. 189-191						
189	266866-0	H.L.SOCKET HEAD BOLT M5X12		2				
190	346703-5	RATCHET		2				
191	233609-5	TORSION SPRING 15		2				
192	266856-3	H.L. TAPPING SCREW 5X20		1				
193	454493-7	AIR GUIDE PLATE		1				
194	266855-5	H.L. TAPPING SCREW 4X12		1				
195	424574-1	DUMPER STOPPER		1				
196	168508-1	TANK CAP COMPLETE		1				
D10		INC. 202						
197	266854-7	H.L. BIND BOLT M5X14		2				
198	135661-8	ENGINE CASE ASS'Y		1				

Position	Référence pièce	Description	Echelle	QTE	N/O	Option 1	Option 2	COMMENTAIRE
D10		INC. 123						
199	234210-9	RESSORT DE PRESSION		1		P1		
200	313212-9	COULISSE P. PROTÈGE-MAINS		1		P1		
201	266856-3	H.L. TAPPING SCREW 5X20		1				
202	213355-6	O-RING 25		1				
203	163518-3	FILTRE A ESSENCE		1		P5		
204	282020-8	BAGUE		1		P1		
205	422113-1	OUTER FUEL PIPE		1				
206	422114-9	INNER FUEL PIPE		1				
207	424575-9	GROMMET		1				
208	454508-0	HOSE JOINT		1				
209	424595-3	NEEDLE GUIDE		1				
210	454496-1	SHUTTER PLATE		1				
211	232284-4	LEAF SPRING		2				
212	346696-6	HOOK		2				
215	ZJ00000063	SCREW		1				
216	ZJ00000014	SCREW (WITH SERRATION)		2				
217	ZJ00000055	COVER, METERING		1				
218	ZJ00000058	DIAPHRAGM ASS'Y, METERING		1				
219	ZJ00000011	GASKET, METERING CHAMBER		1				
220	ZJ00000006	LEVER		1				
221	ZJ00000009	SCREW (METERING LEVER PIN)		1				
222	ZJ00000008	PIN		1				
223	ZJ00000010	SPRING, METERING LEVER		1				
224	ZJ00000007	VALVE, INLET NEEDLE		1				
225	ZJ00000048	LEVER, CHOKE		1				
226	ZJ00000003	STRAINER		1				
227	ZJ00000029	DIAPHRAGM, PUMP		1				
228	ZJ00000016	GASKET, PUMP		1				
229	ZJ00000056	COVER, PUMP		1				
230	ZJ00000020	SCREW (PUMP COVER)		1				
231	ZJ00000051	SCREW, MAIN MIXTURE		1				
232	ZJ00000050	SCREW, IDLE MIXTURE		1				
233	ZJ00000074	PLUNGER		1				
234	ZJ00000054	O-RING		1				
235	ZJ00000073	SPRING		1				
236	ZJ00000062	PIECE, FRICTION		1	*			
237	ZJ00000061	SCREW, THROTTLE ADJUST		1				
238	ZJ00000068	SPRING, ADJUST SCREW		1				
239	ZJ00000075	AIR HEAD KIT		1				
240	ZJ00000076	GASKET AND DIAPHRAGM KIT		1				
D10		INC. 218,219,227,228						
A01C	165441-8	GUIDE BAR		1				
A01D	165428-0	GUIDE CHAINE ES-42A		1				
A02C	419561-3	PROTECTION CHAINE 30-35cm		1		P2		
A02D	451023-5	CHAIN COVER 430MM		1				
A03	782027-9	BOX WRENCH		1				
A04C	196207-5	SAW CHAIN SET		1				

