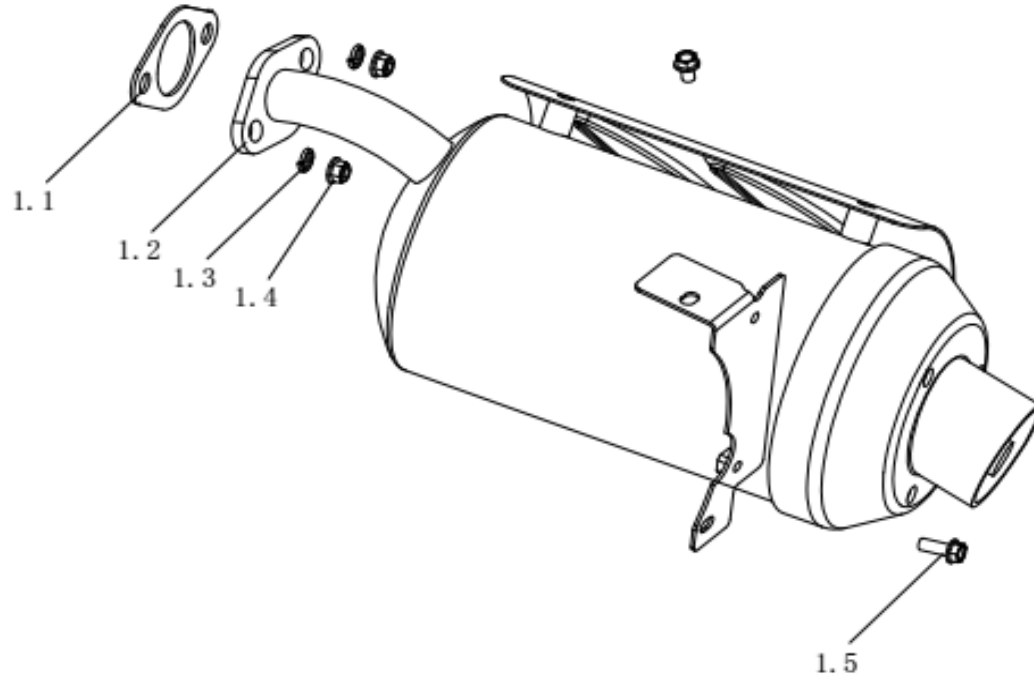
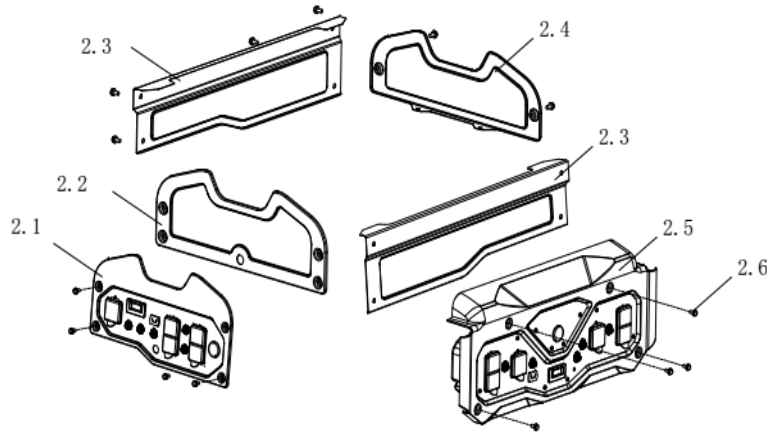


MUFFLER ASSY



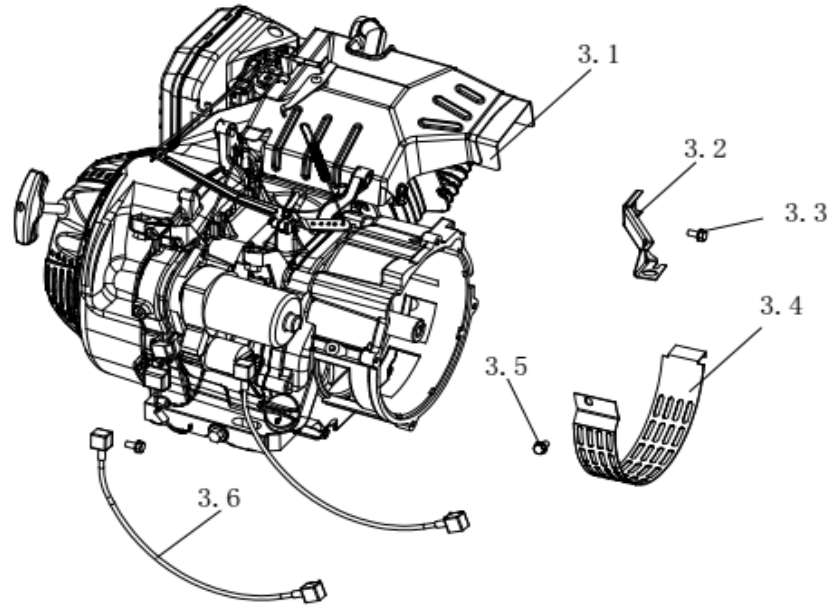
NO.	NO.	Part No.	Part name	Description	Quantity
1,1	01LGH65280-1	01.97.13.01.004	Silencer paper pad	Muffler gasket	1
1,2	01LGH31980-1	01.97.13.04.011	Muffler assembly 5.5kW		1
	01LGH32000-1	01.97.13.04.012	Muffler assembly 6.5kW		1
	01LGH32020-1	01.97.13.04.013	Muffler assembly 7.0kW		1
	01LGH32040-1	01.97.13.04.014	Muffler assembly 7.5kW		1
1,3	01LGS50020-1	01.01.10.010.989	Spring washer $\varnothing 8$	washer $\varnothing 8$	2
1,4	01LGS22060-1	01.01.10.012.080	All metal hexagon flange lock nut M8	hexagon flange lock screw(all-metal) M8	2
1,5	01LGS10340-1	01.01.10.014.038	Hexagon flange bolts M8 \times 16	hexagon flange bolt M8 \times 16	2

PANEL ASSY



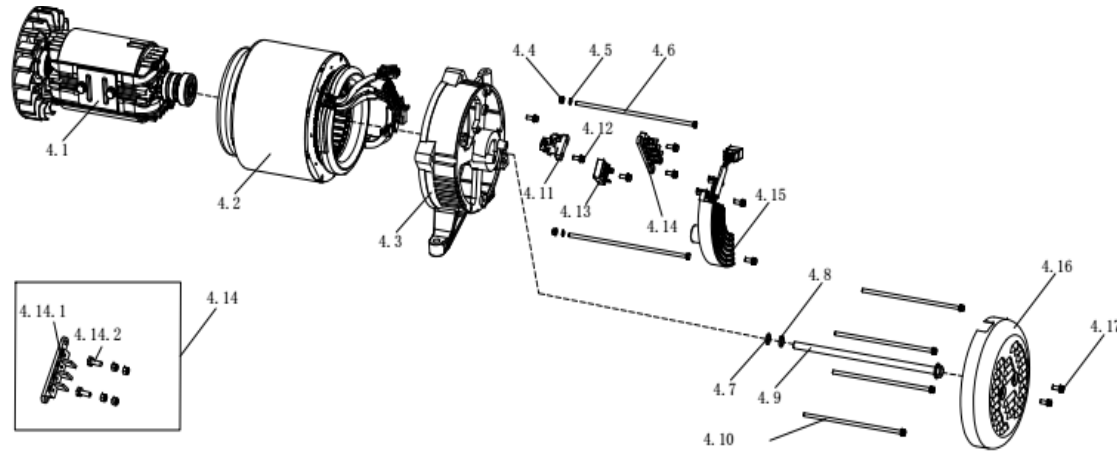
NO.	NO.	Part No.	Part name	Description	Quantity
2,1		02.97.96.03.07.001	Panel assembly 5.5kW (A type)	panel 5.5kW	1
		02.97.96.03.07.101	Panel assembly 6.5kW (A type)	panel 6.5kW	1
		02.97.96.03.07.201	Panel assembly 7.0kW (A type)	panel 7.0kW	1
		02.97.96.03.07.301	Panel assembly 7.5kW (A type)	panel 7.5kW	1
2,2	01LGP10020-1	02.97.96.03.07.003	Front decorative plate weldment 7kW		1
2,3	01LGP10030-1	02.97.96.03.07.004	Left and right decorative plate welding parts 7kW		
2,4	01LGP40080-1	02.97.96.03.07.005	Rear decorative panel 7kW		
2,5		02.97.96.03.07.002	Panel assembly 5.5kW (B type)	panel 5.5kW	1
		02.97.96.03.07.102	Panel assembly 6.5kW (B type)	panel 6.5kW	1
		02.97.96.03.07.202	Panel assembly 7.0kW (B type)	panel 7.0kW	1
		02.97.96.03.07.302	Panel assembly 7.5kW (B type)	panel 7.5kW	1
2,6	01LGS10120-1	01.01.10.014.125	Hexagon flange bolt M6×12 (S=7)	hexagon flange bolt M6×12 (S=7)	16

ENGINE ASSY



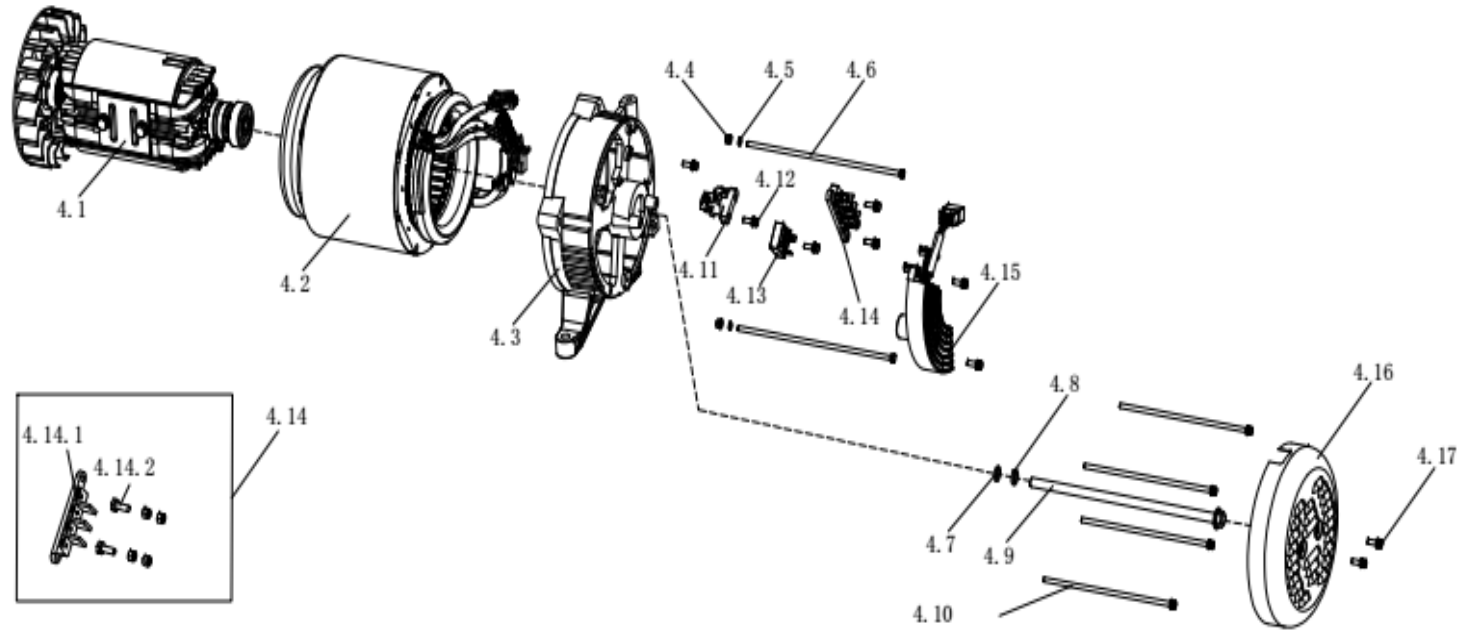
NO.	NO.	Part No.	Part name	Description	Quantity
2,1	01LGH32060-1	02.97.97.03.01.104	Engine LS420	engine LS420	1
	01LGH32080-1	02.97.97.03.01.105	Engine LS420E	engine LS420E	1
	01LGH32100-1	02.97.97.03.01.106	Engine LS420E-K	engine LS420E-K	1
	01LGH32120-1	02.97.97.03.01.101	Engine LS439	engine LS439	1
	01LGH32140-1	02.97.97.03.01.102	Engine LS439E	engine LS439E	1
	01LGH32160-1	02.97.97.03.01.103	Engine LS439E-K	engine LS439E-K	1
	01LGH32180-1		Engine LS460	engine LS460	1
	01LGH32200-1		Engine LS460E	engine LS460E	1
	01LGH32220-1		Engine LS460E-K	engine LS460E-K	1
2,2	01LGG20520-1	01.01.04.016.003	Air filter bracket 7kW	air cleaner bracket 7kW	1
2,3	01LGS10100-1	01.01.10.014.008	Hexagon flange bolt M6×12	hexagon flange bolt M6×12	2
2,4	01LGG20540-1	01.01.04.004.002	Motor wire rod	motor net strip	1
2,5	01LGS10020-1	01.01.10.014.001	Hexagon flange bolt M5×12	hexagon flange bolt M5×12	1
2,6	01LGG20560-1	02.97.96.99.021	Motor line	electric wire of starting motor	1

MOTOR ASSY (01)



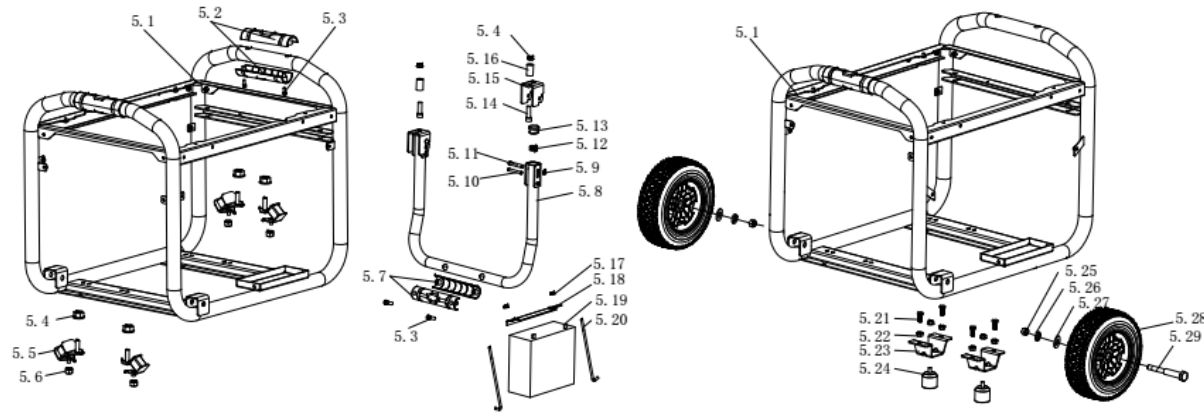
NO.	NO.	Part No.	Part name	Description	Quantity
4,1			Rotor assembly 5.5kW	rotor 5.5kW	1
			Rotor assembly 6.5kW	rotor 6.5kW	1
			Rotor assembly 7.0kW	rotor 7.0kW	1
			Rotor assembly 7.5kW	rotor 7.5kW	1
4,2			Stator assembly 5.5kW	stator-5.5kW	1
			Stator assembly 6.5kW	stator-6.5kW	1
			Stator assembly 7.0kW	stator-7.0kW	1
			Stator assembly 7.5kW	stator-7.5kW	1
4,3	01LGG20580-1	02.01.01.04.004	Motor bracket 7kW	motor bracket 7kW	1
4,4	01LGS24120-1	01.01.10.012.005	Hex nuts M5	hexagon nut M5	6
4,6	01LGS40020-1	01.01.10.017.029	Flat washer $\phi 5 \times \phi 12 \times 1.0$	washer $\phi 5 \times \phi 12 \times 1.0$	2
	01LGS11860-1	01.01.10.013.037	Hex head bolt M5x212	hexagon bolt M5x212	2
	01LGS11600-1	01.01.10.013.927	Hex head bolt M5x220	hexagon bolt M5x220	2
	01LGS11620-1	01.01.10.013.019	Hex head bolt M5x235	hexagon bolt M5x235	2
4,7	01LGS40160-1	01.03.10.017.007	Flat Washers $\phi 10 \times \phi 21 \times 2.0$	washer $\phi 10 \times \phi 21 \times 2.0$	1
4,8	01LGS50040-1	01.01.10.010.009	Spring washer $\phi 10$	washer $\phi 10$	1
4,9	01LGS10780-1	01.01.10.014.063	Hexagon flange bolt M10x265	hexagon flange bolt M10x265	1
	01LGS10540-1	01.01.10.014.064	Hexagon flange bolt M10x270	hexagon flange bolt M10x270	1
	01LGS10560-1	01.01.10.014.157	Hexagon flange bolt M10x284	hexagon flange bolt M10x284	1

MOTOR ASSY (02)



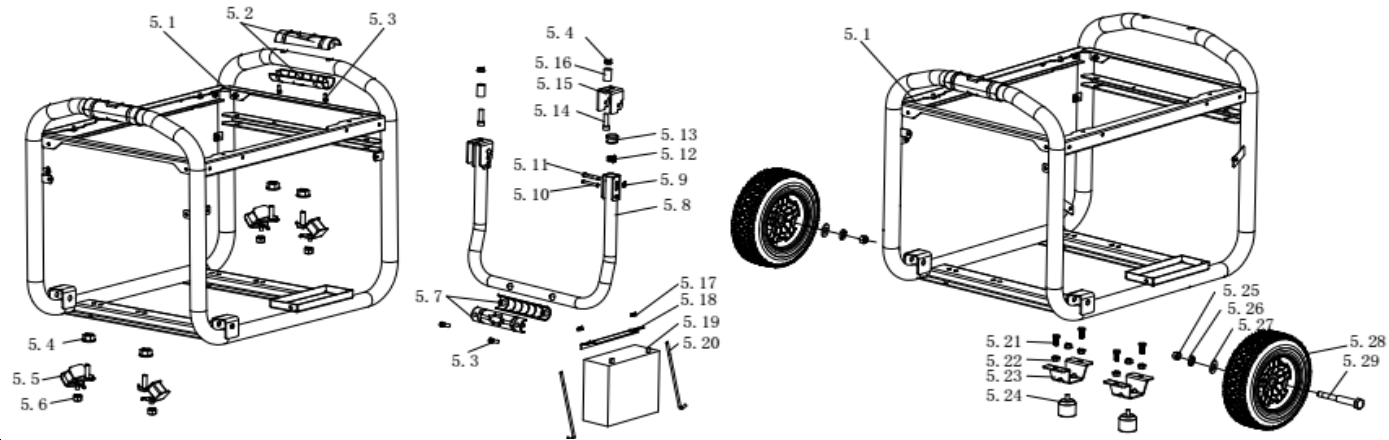
NO.	NO.	Part No.	Part name	Description	Quantity
4,10	01LGS10760-1	01.01.10.014.035	Hexagon flange bolt M6×180	hexagon flange bolt M6×180	4
	01LGS10300-1	01.01.10.014.036	Hexagon flange bolt M6×185	hexagon flange bolt M6×185	4
	01LGS10320-1	01.01.10.014.080	Hexagon flange bolt M6×200	hexagon flange bolt M6×200	4
4,11	01LGG20600-1	01.01.99.013.003	Carbon brush 7kW	carbon brush 7kW	1
4,12	01LGS10040-1	01.01.10.014.002	Hexagon flange bolt M5×16	hexagon flange bolt M5×16	6
4,13	01LGG20160-1	01.01.09.022.001	Full bridge 3510	full bridge 3510	1
4.14.1	01LGG20180-1	01.01.09.017.002	Terminal plate	terminal plate	1
4.14.2	01LGS11580-1	01.01.10.013.001	Hexagon bolt M5×20	hexagon bolt M5×20	2
4,15	01LGG20620-1	01.01.01.009.003	AVR 5.5kW	AVR 5.5kW	1
	01LGG20920-1	01.01.01.009.004	AVR 6-8kW	AVR 6-8kW	1
4,16	01LGG20640-1	02.01.03.03.03.012	Motor rear cover 7kW	motor rear cover 7kW	1
4,17	01LGS10020-1	01.01.10.014.001	Hexagon flange bolt M5×12	hexagon flange bolt M5×12	3

FRAME ASSY (01)



NO.	NO.	Part No.	Part name	Description	Quantity
5,1	01LGF00070-1	02.97.96.02.07.001	Rack 5.5kW (A type)	frame 5.5kW	1
	01LGF00080-1	02.97.96.02.07.002	Rack 5.5kW (B type)	frame 5.5kW	1
	01LGF00090-1	02.97.96.02.07.101	Rack 6.5kW (A type)	frame 6.5kW	1
	01LGF00100-1	02.97.96.02.07.102	Rack 6.5kW (B type)	frame 6.5kW	1
	01LGF00010-1	02.97.96.02.07.201	Rack 7.0kW (A type)	frame 7kW	1
	01LGF00020-1	02.97.96.02.07.202	Rack 7.0kW (B type)	frame 7kW	1
	01LGF00110-1	02.97.96.02.07.301	Rack 7.5kW (A type)	frame 7.5kW	1
	01LGF00120-1	02.97.96.02.07.302	Rack 7.5kW (B type)	frame 7.5kW	1
5,2	01LGP10060-1	02.97.96.99.030	Rack jacket assembly ø38*160		2
5,3	01LGS30160-1	01.01.10.016.007	Hexagon socket head cap screw M6×16	hexagon socket head screw M6×16	6
5,4	01LGS20060-1	01.97.99.06.001	Hexagon flange nut M10	hexagon flange nut M10	6
5,5	01LGG20660-1	01.01.07.027.005	Shock absorber foot 7kW	engine shock proof foot 7kW	4
5,6	01LGS25140-1	01.97.99.06.001	Hexagonal thick nut M8	hexagon nut M8	4
5,7	01LGP10050-1	02.97.96.99.029	Handle sheath assembly ø28*150		1
5,8	01LGF10040-1	02.97.96.02.07.010	U-shaped handle assembly 7kW		1
5,9	01LGG20240-1	01.97.96.99.002	Circlip		2
5,10	01LGF40250-1	01.97.96.99.003	Activity pin		2
5,11	01LGF40240-1	01.97.96.99.004	Bayonet		2

FRAME ASSY (02)



NO.	NO.	Part No.	Part name	Description	Quantity
5,12	01LGG20340-1	01.97.96.99.006	Handle spring		2
5,13	01LGG20280-1	01.02.04.004.002	Rubber plug		2
5,14	01LGS30140-1	01.97.99.07.004	Hexagon socket head cap screw M10×35	hexagon socket head screw M10×35	2
5,15	01LGF40120-1	02.97.96.02.03.008	U-shaped handle support casing		2
5,16	01LGF40130-1	01.97.96.99.007	Hexagon flange nut M6	hexagon flange nut M6	2
5,17	01LGS20020-1	01.97.99.03.001	Battery bead	battery pressing strip	1
5,18	01LGF40090-1	02.97.96.02.07.018	Battery	battery	1
5,19	01LGG20700-1	01.01.09.006.002	电瓶挂钩	triangle hook	2
5,20	01LGG20680-1	01.01.10.013.042	Hex head bolt M8×20	hexagon bolt M8×20	4
5,21	01LGS11640-1	01.01.10.013.014	Hexagon flange nut M8	hexagon flange nut M8	6
5,22	01LGS20040-1	01.97.99.03.002	Frame bracket	frame bracket	2
5,23	01LGF40140-1	02.97.96.02.07.007	Frame foot	frame foot	2
5,24	01LGW20020-1	01.01.07.011.003	Hexagon nut M12	hexagon nut M12	2
5,25	01LGS24160-1	01.01.10.012.036	Washer φ12	washer φ12	2
5,26	01LGS50060-1	01.01.10.010.010	Washer φ12×φ20×1.5	washer φ12×φ20×1.5	2
5,27	01LGS40180-1	01.97.99.09.002	PU foam wheel 9.5 inch		2
5,28	01LGG20720-1	01.97.96.01.01.001	Wheel axle 7kW	wheel axle 7kW	2
5,29	01LGG20740-1	01.97.96.02.101			2