

# U1R-9

## Datasheet



**SLA**

**NON-SPILLABLE**

SLA battery range is designed to offer maximum performance and safety! Ready to use, the Sealed Lead Acid (SLA) battery will not require any acid handling, initial preparation or maintenance.

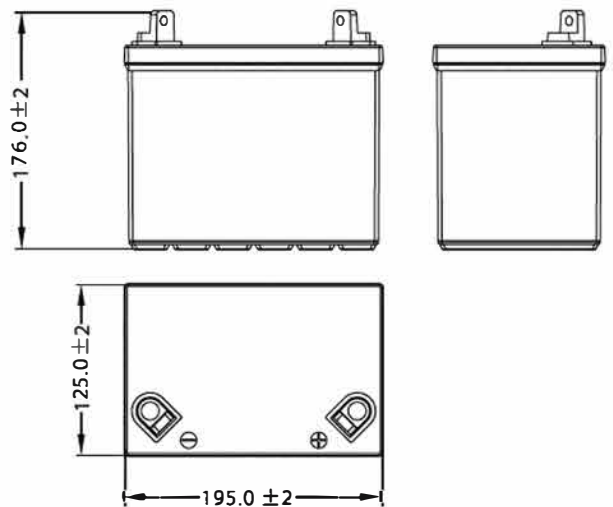
The non-spillable design (VRLA) linked to its high performance make it the ideal battery for all ride-on mowers.

### SPECIFICATIONS

Voltage	Capacity	CCA
<b>12V</b>	<b>28.0Ah</b> (20hr)	<b>300A</b>

### DIMENSIONS & WEIGHT

<b>Length</b>	195±2mm
<b>Width</b>	125±2mm
<b>Total Height</b>	176±2mm
<b>Gross weight</b>	6.45kg



### FEATURES

- AGM technology
- Ready to use
- Factory activated
- VRLA battery
- Non spillable: easy to ship
- No acid handling
- Easy to install and maintenance free
- Higher life cycle
- Minimized plate sulfation
- Suitable for cold weather

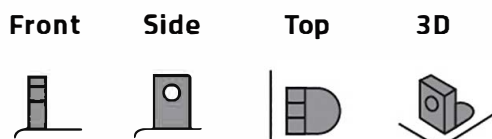
### POLARITY



### MOUNTING ANGLES



### TERMINAL



### APPLICATIONS



Lawn & garden