

# MOTEUR R80-S

DOC 0330091017

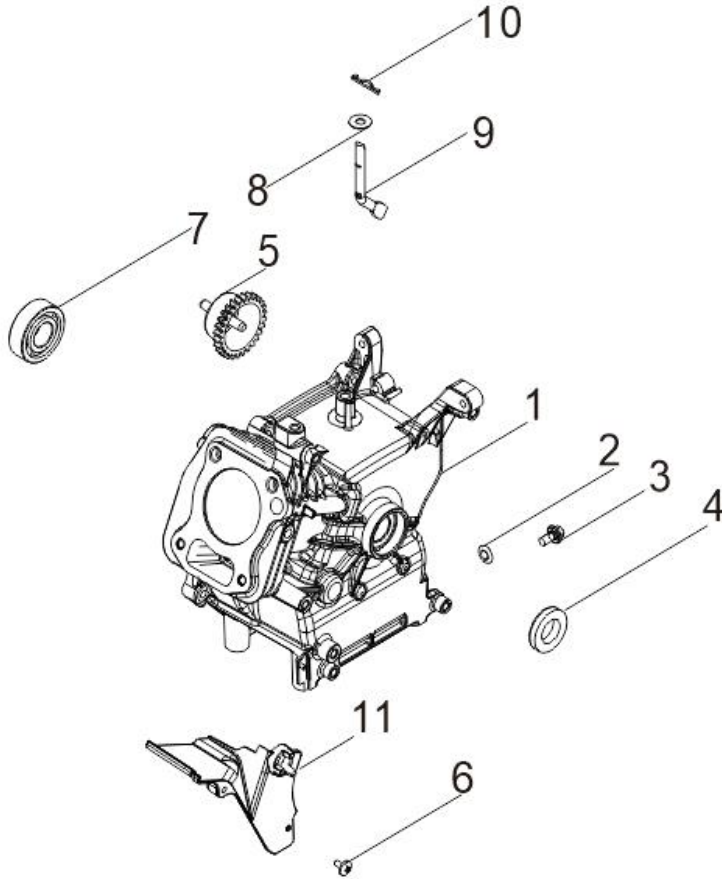


★RATO R80-S★  
★A2308003626★  
e9\*2016/1628\*2021/1068SHB2/P\*31111

Ces vues ne concernent que le moteur R80-S  
Pour le moteur R80-V, consultez les vues appropriées.

# MOTEUR R80-S

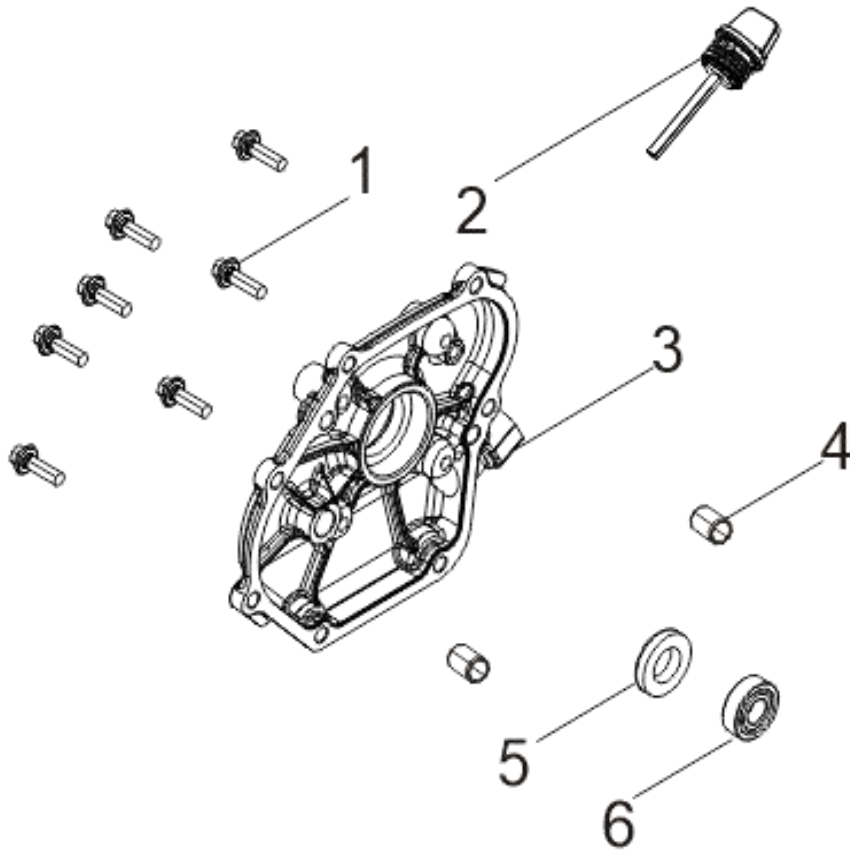
FIG.1 CRANKCASE. / GEAR ASSY, GOVERNOR.(E01)



REF.NO.	PART NO	DESCRIPTION	DESIGNATION	QT
E01-1	0001210430	CRANKCASE SUBASSEMBLY.	CARTER PRINCIPAL	1
E01-2	0001200006	FLAT WASHER - GRADE A	RONDELLE	1
E01-3	9501004145	BOLT, DRAIN PLUG	BOUCHON VIDANGE	1
E01-4	0001150004	SEAL, OIL	JOIN SPI VILEBREQUIN	1
E01-5	0001210431	GEAR ASSY, GOVERNOR	ENSEMBLE REGULATEUR	1
E01-6	-	SELF-TAPPING SCREW	VIS	1
E01-7	0001210432	SLIDING BEARING	PALIER VILEBREQUIN	1
E01-8	-	FLAT WASHER - GRADE A	RONDELLE	1
E01-9	-	ARM, GOVERNOR	BRAS REGULATEUR	1
E01-10	0001000529	COTTER PIN	GOUPILLE BETA	1
E01-11	-	SHIELD,LOWER	DEFLECTEUR	1

# MOTEUR R80-S

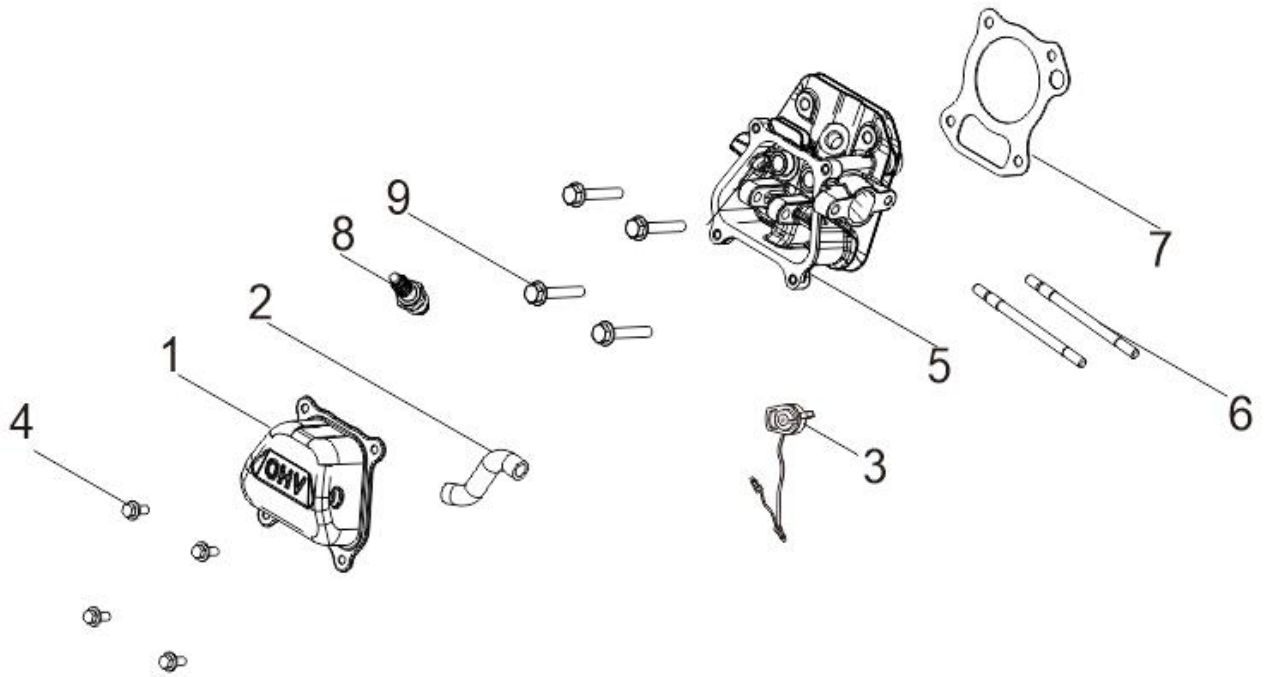
FIG.2 COVER SUBASSEMBLY, CRANKCASE (E02)



REF.NO.	PART NO	DESCRIPTION	DESIGNATION	QT
E02-1	-	HEXAGON SOCKET FLANGE FACE BOLT - SMALL SERIES	VIS	7
E02-2	0001210433	DIPSTICK SUBASSEMBLY, OIL	JAUGE HUILE	1
E02-3	0001210434	COVER, CRANKCASE	CARTER LATERAL	1
E02-4	-	POSITION PIN - TYPE A	PION CENTRAGE	2
E02-5	0001150004	SEAL, OIL	JOINT SPI VILEBREQUIN	1
E02-6	0001210435	DEEP GROOVE BALL BEARING - P6	ROULEMENT VILEBREQUIN	1

# MOTEUR R80-S

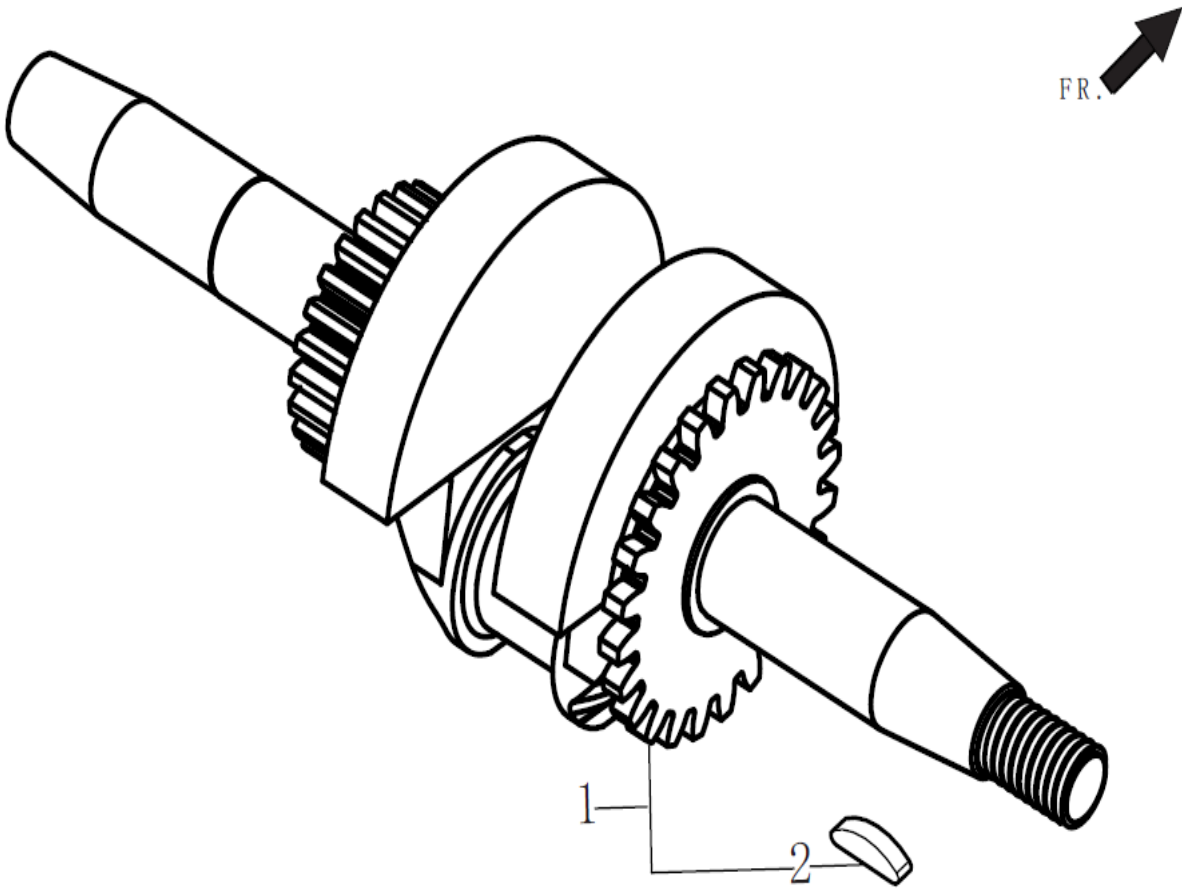
FIG.3 HEAD SUBASSEMBLY, CYLINDER / PLUG, SPARK (E03)



REF.NO.	PART NO	DESCRIPTION	DESIGNATION	QT
E03-1	0001210436	COVER SUBASSEMBLY, CYLINDER HEAD	COUVRE CULASSE	1
E03-2	0001210437	TUBE, BREATHER	DURIT RENIFLARD	1
E03-3	0330062001	SWITCH SUBASSEMBLY, STOP ENGINE	BOUTON ARRET MOTEUR	1
E03-4	-	HEXAGON SOCKET FLANGE FACE BOLT - BIG SERIES	ECROU	4
E03-5	0001210438	HEAD SUBASSEMBLY, CYLINDER	CULASSE	1
E03-6	-	STUD BOLT (BM=2D)	GOUJON	2
E03-7	0001210439	GASKET, CYLINDER HEAD	JOINT CULASSE	1
E03-8	9501004126	PLUG, SPARK	BOUGIE	1
E03-9	-	HEXAGON SOCKET FLANGE FACE BOLT - SMALL SERIES	VIS CULASSE	4

# MOTEUR R80-S

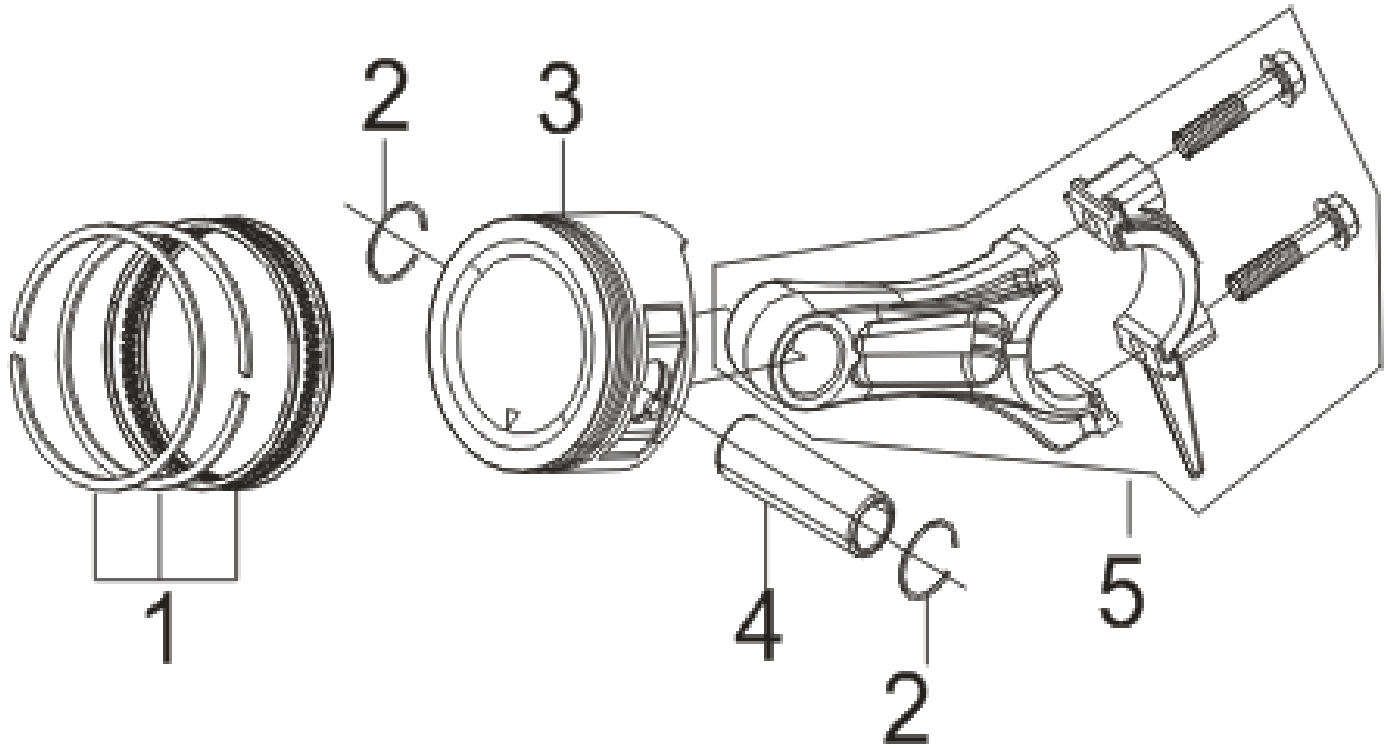
FIG.4 ROD,CRANKSHAFT CONNETING (E04)



REF.NO.	PART NO	DESCRIPTION	DESIGNATION	QT
E04-1	0001210440	CRANKSHAFT ASSY.	VILEBREQUIN	1

# MOTEUR R80-S

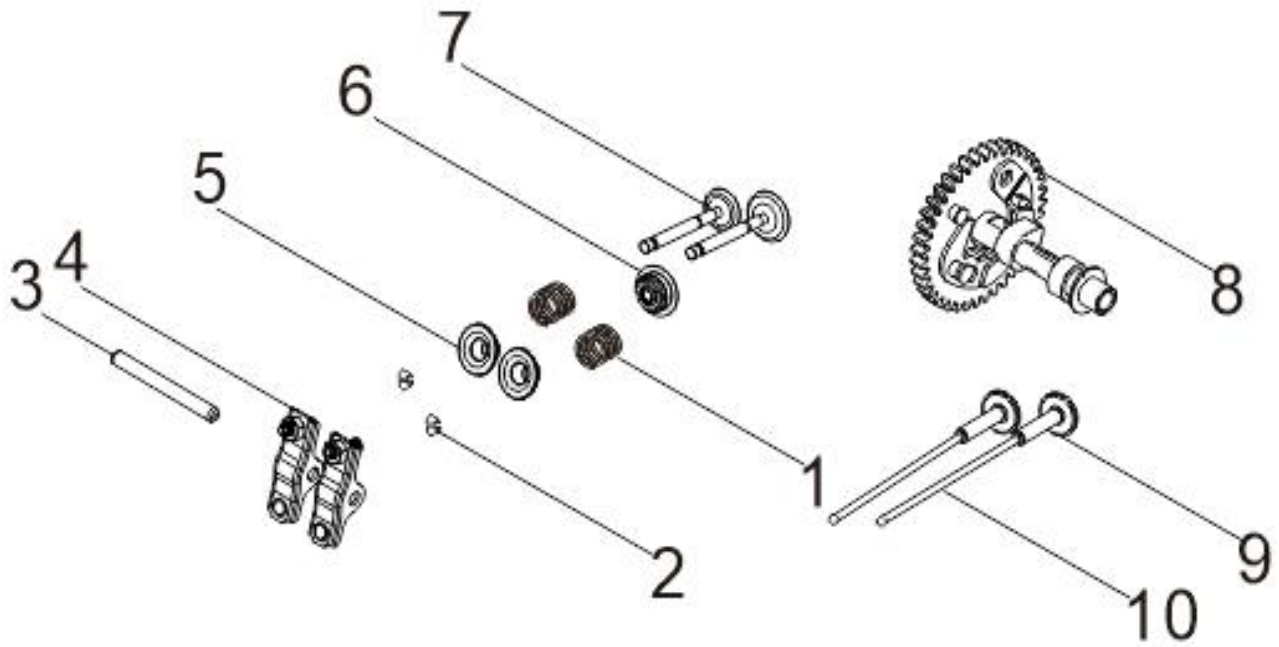
FIG.5 RING SET,OIL / ROD,CRANKSHAFT CONNETING (E05)



REF.NO.	PART NO	DESCRIPTION	DESIGNATION	QT
E05-1	0001210441	RING ASSY, PISTON	JEU SEGMENTS	1
E05-2	0001210442	CLIP, PISTON PIN	CLIP AXE PISTON	2
E05-3	0001210443	PISTON	PISTON	1
E05-4	0001210444	PIN, PISTON	AXE PISTON	1
E05-5	0001210445	ROD, CONNECTING	BIELLE	1

# MOTEUR R80-S

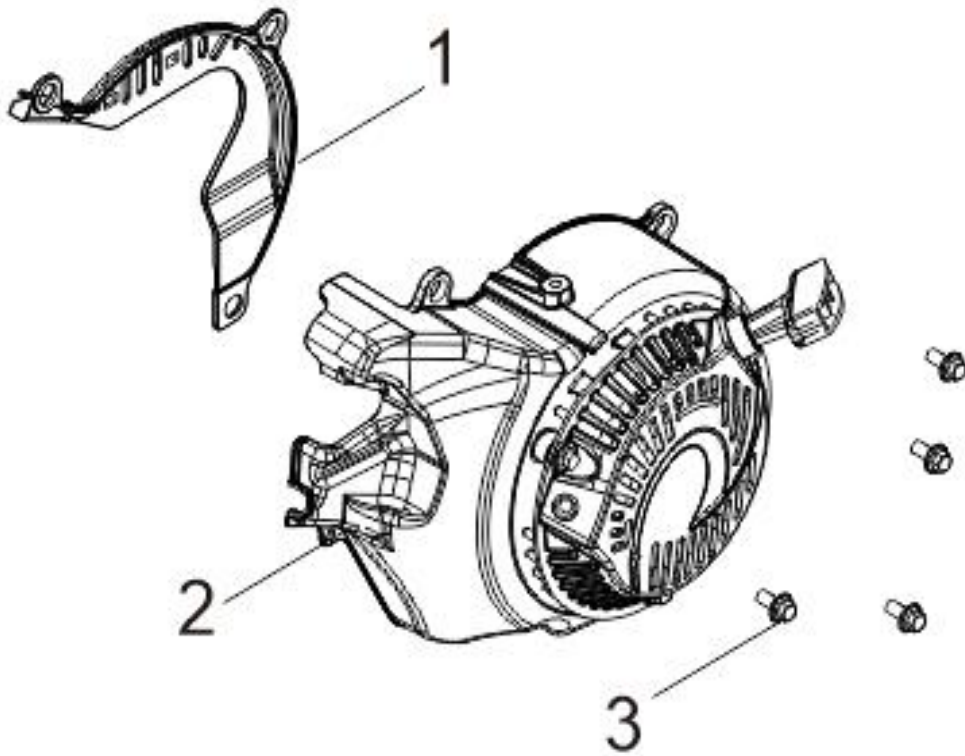
FIG.6 TRAIN,VALVE / CAMSHAFT SUBASSEMBLY (E06)



REF.NO.	PART NO	DESCRIPTION	DESIGNATION	QT
E06-1	0001210446	SPRING, VALVE	RESSORT SOUPAPE	2
E06-2	0001210820	CLAMP, VALVE LOCK	VERROU SOUPAPE	4
E06-3	0001210447	SHAFT, VALVE ROCKER	AXE CULBUTEUR	1
E06-4	0001210448	ROCKER SUBASSEMBLY, VALVE	CULBUTEUR	2
E06-5	0001210410	SEAT, VALVE SPRING	COUPELLE RESSORT SOUPAPE	2
E06-6	0001210417	GUIDE, SEAL	JOINT QUEUE SOUPAPE	1
E06-7	0001210449	VALVES SET	JEU SOUPAPES	1
E06-8	0001210450	CAMSHAFT ASSY.	ARBRE A CAMES	1
E06-9	0001210451	TAPPET, VALVE	POUSSOIR	2
E06-10	0001210452	LIFTER, VALVE	TIGE CULBUTEUR	2

# MOTEUR R80-S

FIG.7 STARTER,RECOIL (E07)

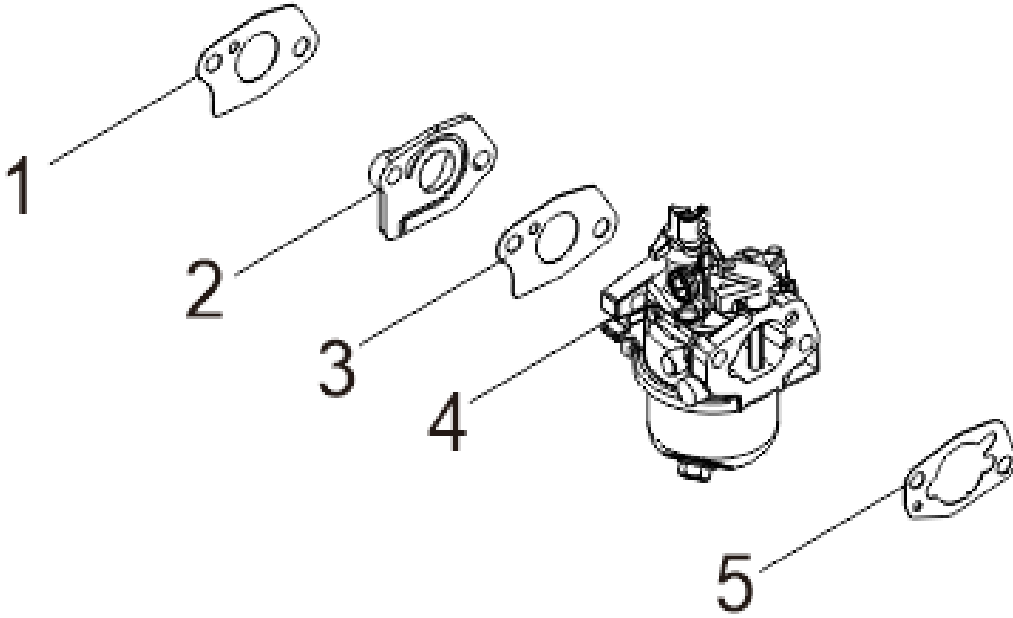


REF.NO.	PART NO	DESCRIPTION	DESIGNATION	QT
E07-1	0001210453	SHIELD, SHROUD	DEFLECTEUR	1
E07-2	0001210454	MANUAL STARTING ASSEMBLY	LANCEUR	1
E07-3	-	HEXAGON SOCKET FLANGE FACE BOLT - SMALL SERIES	VIS	4



# MOTEUR R80-S

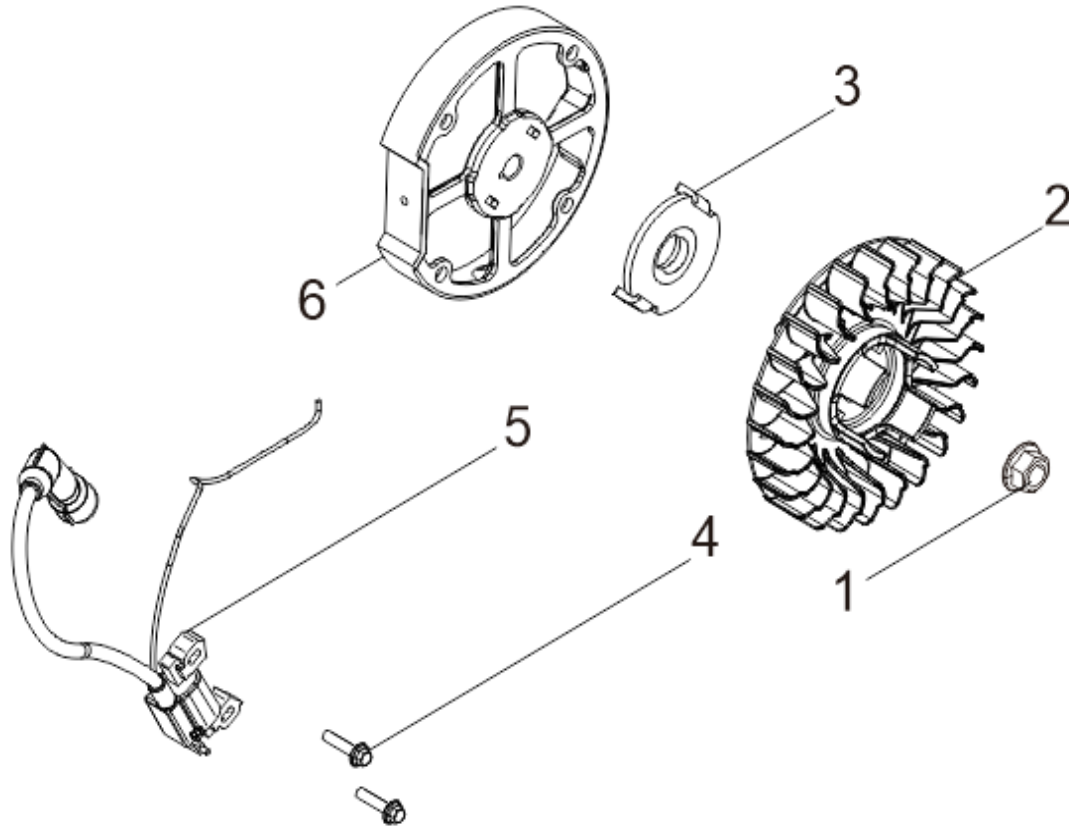
FIG.8 CARBURETOR ASSY. (E09)



REF.NO.	PART NO	DESCRIPTION	DESIGNATION	QT
E09-1	0001210455	GASKET, INLET	JOINT CARBURATEUR COTE MOTEUR	1
E09-2	0001210456	PLATE, CARBURETOR INSULATOR	ENTRETOISE CARBURATEUR	1
E09-3	0001180022	CARBURETOR SEAL GASKET	JOINT CARBURATEUR COTE MOTEUR	1
E09-4	0001210457	CARBURETOR ASSY.	CARBURATEUR	1
E09-5	0001210458	AIR CLEANER SEAL GASKET	JOINT CARBURATEUR COTE FILTRE	1

# MOTEUR R80-S

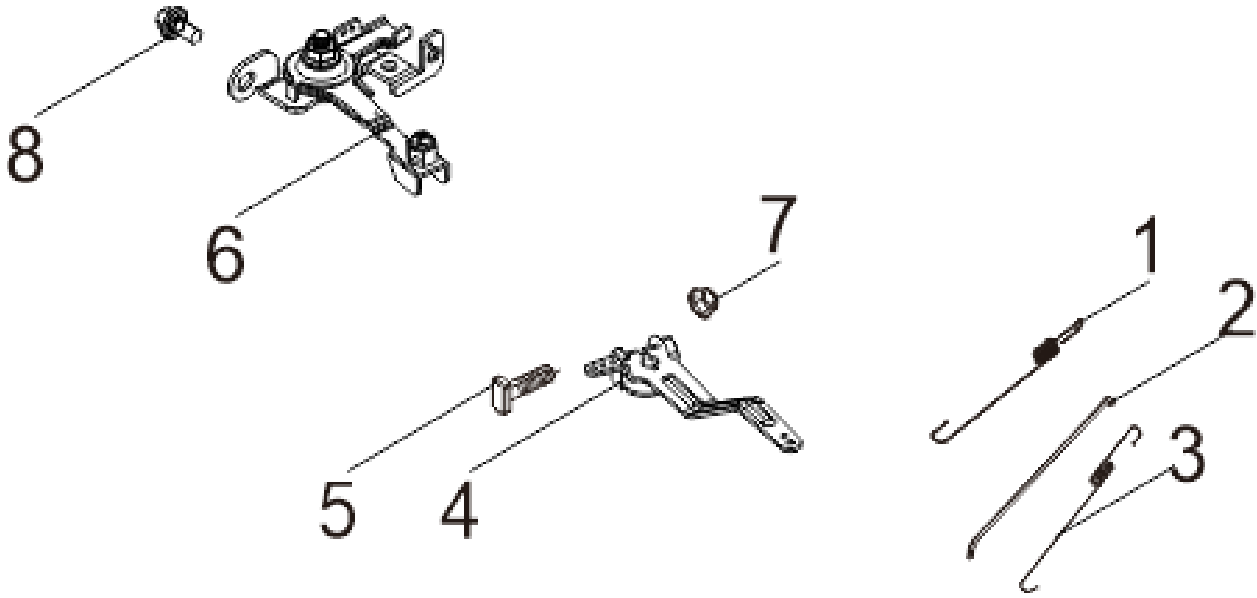
FIG.9 FLYWHEEL / IMPELLER / STARTER PULLEY / IGNITION COIL (E10)



REF.NO.	PART NO	DESCRIPTION	DESIGNATION	QT
E10-1	0001210459	HEXAGON NUT WITH FLANGE - FIN THREAD	ECROU VOLANT MOTEUR	1
E10-2	0001210460	IMPELLER	IMPELLER	1
E10-3	0001210461	SEAT, STARTER CUP	POULIE LANCEUR	1
E10-4	0001210934	HEXAGON SOCKET FLANGE FACE BOLT - SMALL SERIES	VIS	2
E10-5	0001210462	COIL, IGNITION	BOBINE ALLUMAGE	1
E10-6	0001210463	FLYWHEEL SUBASSEMBLY	VOLANT MOTEUR	1

# MOTEUR R80-S

FIG.10 CONTROL ASSY, THROTTLE (E11)



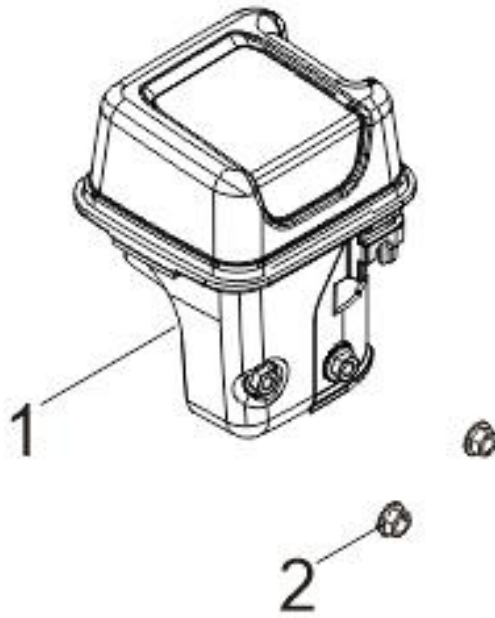
REF.NO.	PART NO	DESCRIPTION	DESIGNATION	QT
E11-1	0001210464	SPRING, GOVERNOR	RESSORT REGULATEUR	1
E11-2	0001210465	ROD, GOVERNEOR	BIELLETTE REGULATEUR	1
E11-3	0001210466	SPRING, THROTTLE VALVE RETURNING	RESSORT BIELLETTE REGULATEUR	1
E11-4	0001210467	GOVERNOR BRACKET SUBASSEMBLY	BRAS REGULATEUR	1
E11-5	0001211029	BOLT, GOVERNOR SUPPORT	VIS BRAS REGULATEUR	1
E11-6	0001210468	CONTROL ASSY, THROTTLE	PLATINE REGULATEUR	1
E11-7	-	HEXAGON NUT WITH FLANGE	ECROU	1
E11-8	-	HEXAGON SOCKET FLANGE FACE BOLT - BIG SERIES	VIS	1

# MOTEUR R80-S

FIG.11 CLEANER, AIR (F01)



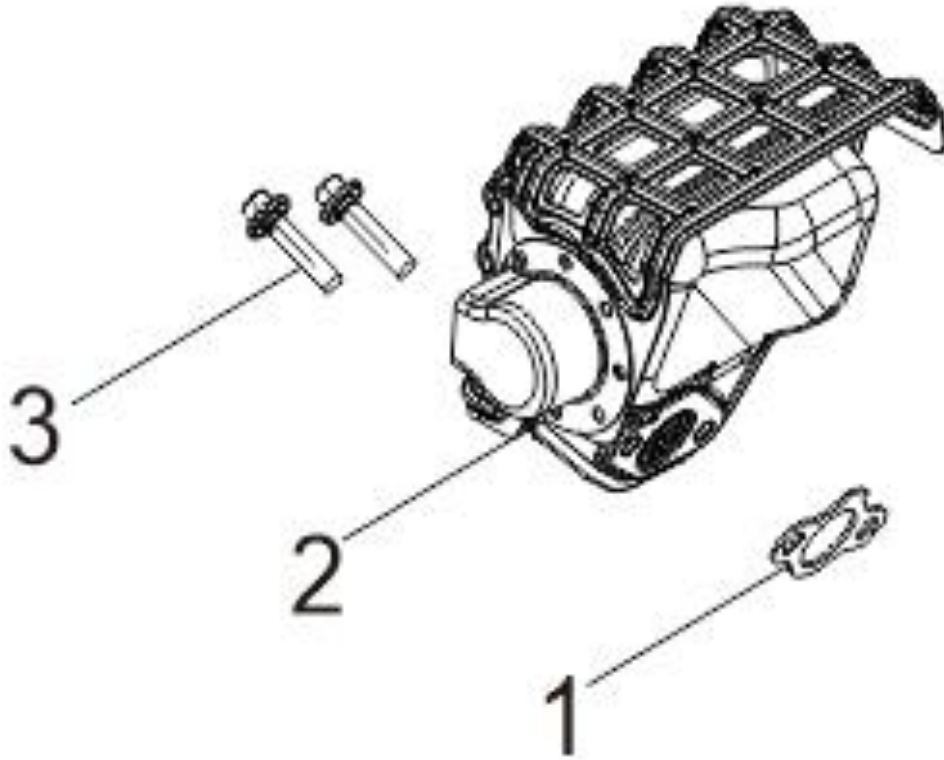
3 - ELEMENT



REF.NO.	PART NO	DESCRIPTION	DESIGNATION	QT
F11-1	0001210469	AIR CLEANER ASSY	FILTRE AIR COMPLET	1
F11-2	-	HEXAGON NUT WITH FLANGE	ECROU	2
F11-3	0001210476	AIR CLEANER ELEMENT	ELEMENT FILTRANT	1

# MOTEUR R80-S

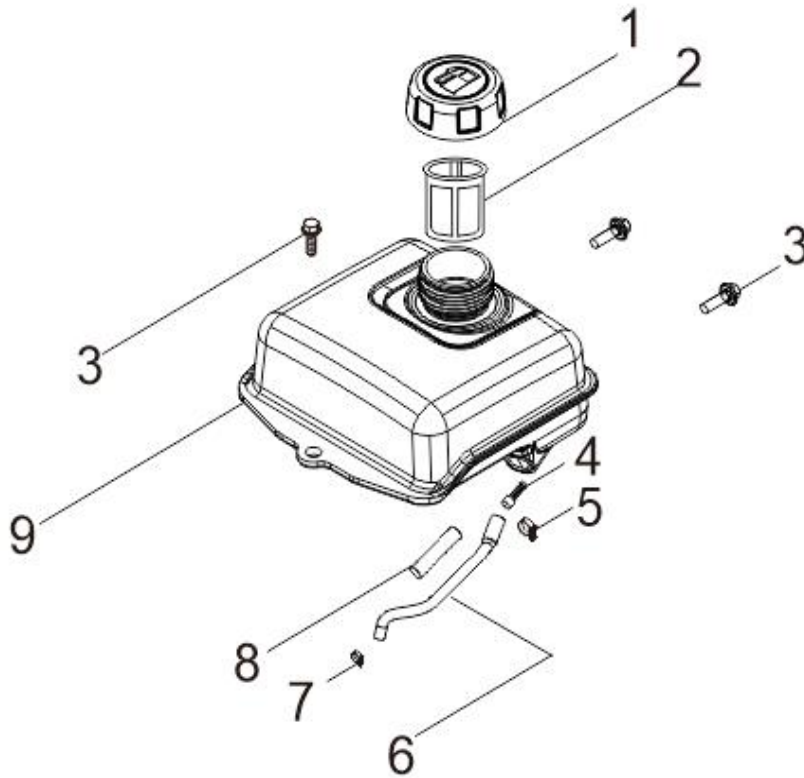
FIG.12 MUFFLER ASSY. (F02)



REF.NO.	PART NO	DESCRIPTION	DESIGNATION	QT
F02-1	0001210470	GASKET, EXHAUST OUTLET	JOINT ECHAPPEMENT	1
F02-2	0001210471	MUFFLER ASSY.	ECHAPPEMENT	1
F02-3	0001210934	HEXAGON SOCKET FLANGE FACE BOLT - SMALL SERIES	VIS	2

# MOTEUR R80-S

FIG.13 TANK ASSY, FUEL (F03)



REF.NO.	PART NO	DESCRIPTION	DESIGNATION	QT
F03-1	0001000233	COVER, FUEL TANK	BOUCHON RESERVOIR	1
F03-2	0001210473	FILLING OIL HOLE FILTER SUBASSEMBLY	FILTRE ENTREE RESERVOIR	1
F03-3	-	HEXAGON SOCKET FLANGE FACE BOLT - SMALL SERIES	VIS	3
F03-4	0001210315	STRAINER, FUEL	FILTRE SORTIE RESERVOIR	1
F03-5	0001020019	PIPE CLAMP	COLLIER	1
F03-6	0001210474	TUBE, FUEL	DURIT CARBURANT	1
F03-7	0001020020	PIPE CLAMP	COLLIER	1
F03-8	-	JACKET, RUBBER	PROTECTION DURIT	1
F03-9	0001210475	TANK ASSY, FUEL	RESERVOIR CARBURANT	1