

Material: C20	Weight (Kg): 0.000	Heat treatment: n.a.	Finish: Fe/Zn 8 White
		Hardness (HRC): n.a.	

PART NAME: PIN FOR HITCH BRACKET	Group: n.a.	Particular: n.a.
	FILE NAME: 39885.dwg	

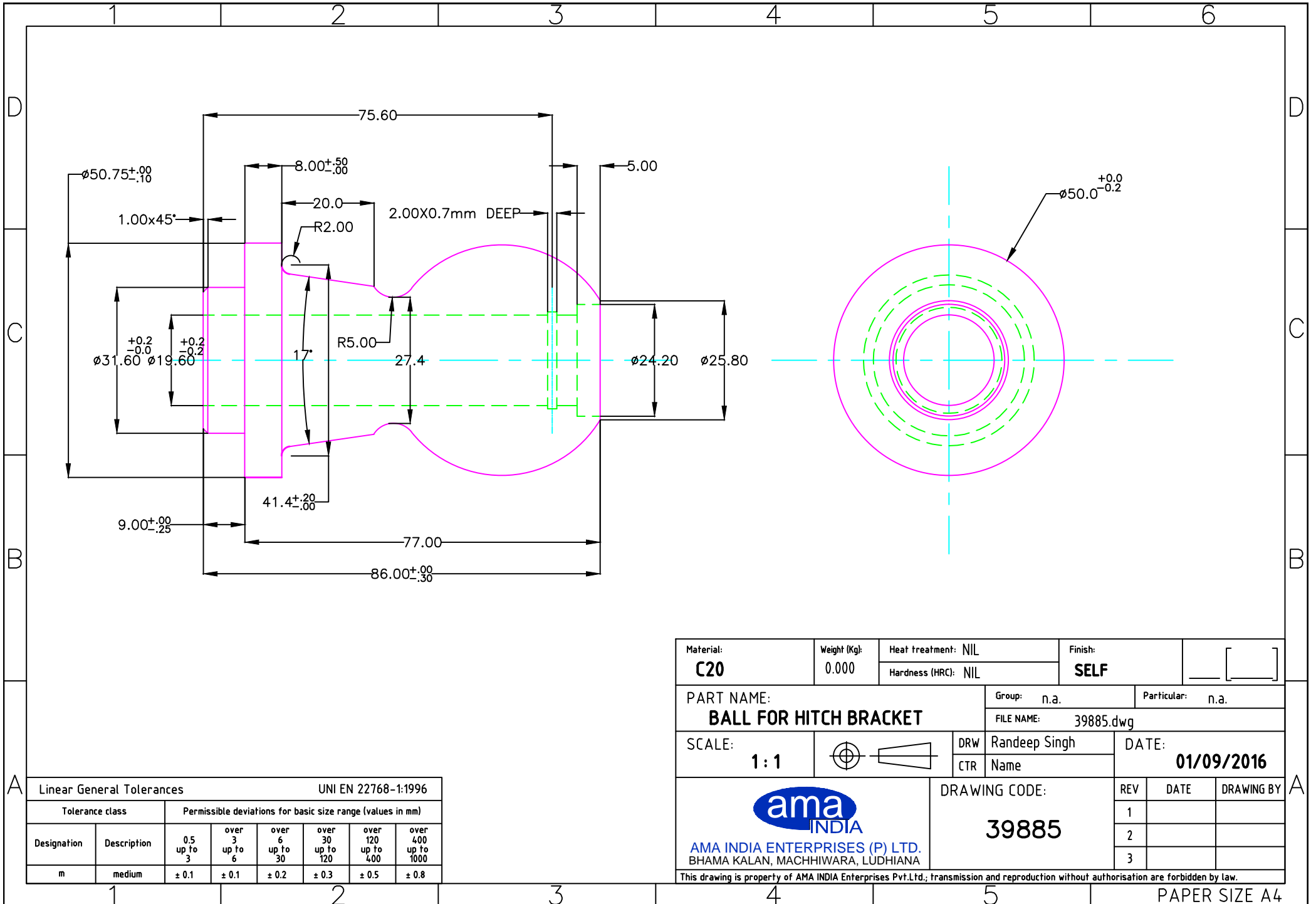
SCALE: 1:1		DRW: Randeep Singh	DATE: 01/09/2016
		CTR: Name	

 AMA INDIA ENTERPRISES (P) LTD. BHAMA KALAN, MACHHIWARA, LUDHIANA	DRAWING CODE: 39885	REV	DATE	DRAWING BY
		1		
		2		
		3		

This drawing is property of AMA INDIA Enterprises Pvt.Ltd.; transmission and reproduction without authorisation are forbidden by law.

Tolerance class		Permissible deviations for basic size range (values in mm)					
Designation	Description	0.5 up to 3	over 3 up to 6	over 6 up to 30	over 30 up to 120	over 120 up to 400	over 400 up to 1000
m	medium	± 0.1	± 0.1	± 0.2	± 0.3	± 0.5	± 0.8

PAPER SIZE A4



Material: C20	Weight (Kg): 0.000	Heat treatment: NIL Hardness (HRC): NIL	Finish: SELF	[]
-------------------------	-----------------------	--	------------------------	-----

PART NAME: BALL FOR HITCH BRACKET		Group: n.a.	Particular: n.a.
SCALE: 1:1		FILE NAME: 39885.dwg	

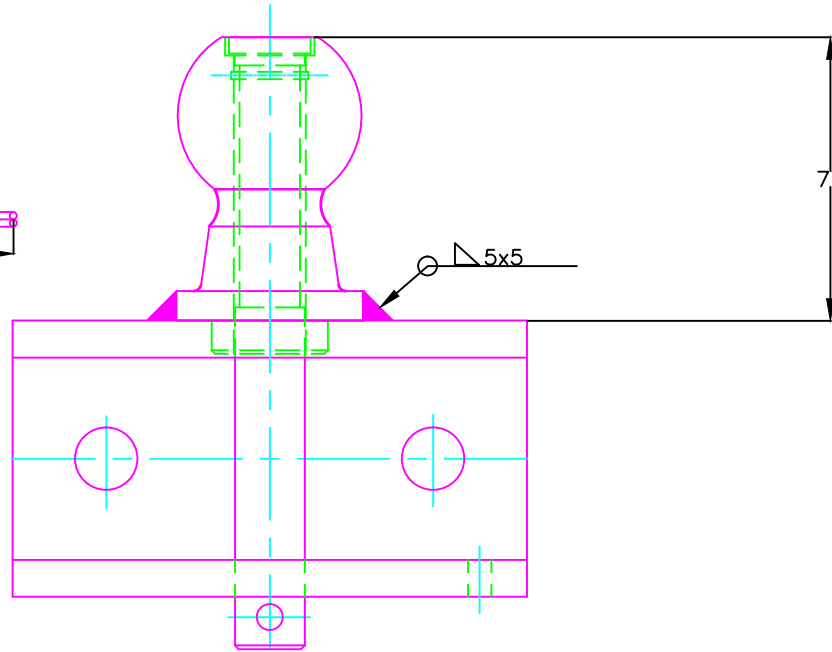
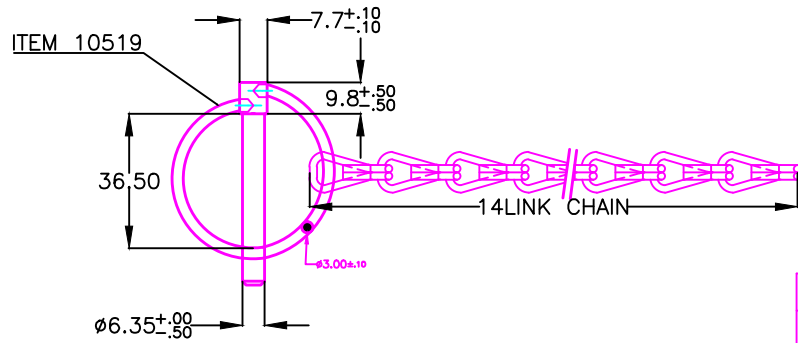
DRW: Randeep Singh	DATE: 01/09/2016
CTR: Name	

 AMA INDIA ENTERPRISES (P) LTD. BHAMA KALAN, MACHHIWARA, LUDHIANA	DRAWING CODE: 39885	REV	DATE	DRAWING BY
		1		
		2		
		3		

This drawing is property of AMA INDIA Enterprises Pvt.Ltd.; transmission and reproduction without authorisation are forbidden by law.

Tolerance class		Permissible deviations for basic size range (values in mm)					
Designation	Description	0.5 up to 3	over 3 up to 6	over 6 up to 30	over 30 up to 120	over 120 up to 400	over 400 up to 1000
m	medium	± 0.1	± 0.1	± 0.2	± 0.3	± 0.5	± 0.8

PAPER SIZE A4



Material: COMPOSITE	Weight (Kg): 3.500	Heat treatment: n.a.	Finish: BLACK (POWDER COATING)
		Hardness (HRC): n.a.	

PART NAME: HITCH BRACKET	Group: n.a.	Particular: n.a.
FILE NAME: 39885.dwg		

SCALE: 1 : 2	DRW Randeep Singh	DATE: 01/09//2016
	CTR Name	

 AMA INDIA ENTERPRISES (P) LTD. BHAMA KALAN, MACHHIWARA, LUDHIANA	DRAWING CODE: 39885	REV	DATE	DRAWING BY
		1		
		2		
		3		

This drawing is property of AMA INDIA Enterprises Pvt.Ltd.; transmission and reproduction without authorisation are forbidden by law.

Tolerance class		Permissible deviations for basic size range (values in mm)					
Designation	Description	0.5 up to 3	over 3 up to 6	over 6 up to 30	over 30 up to 120	over 120 up to 400	over 400 up to 1000
m	medium	± 0.1	± 0.1	± 0.2	± 0.3	± 0.5	± 0.8

PAPER SIZE A4

1 2 3 4 5 6

D

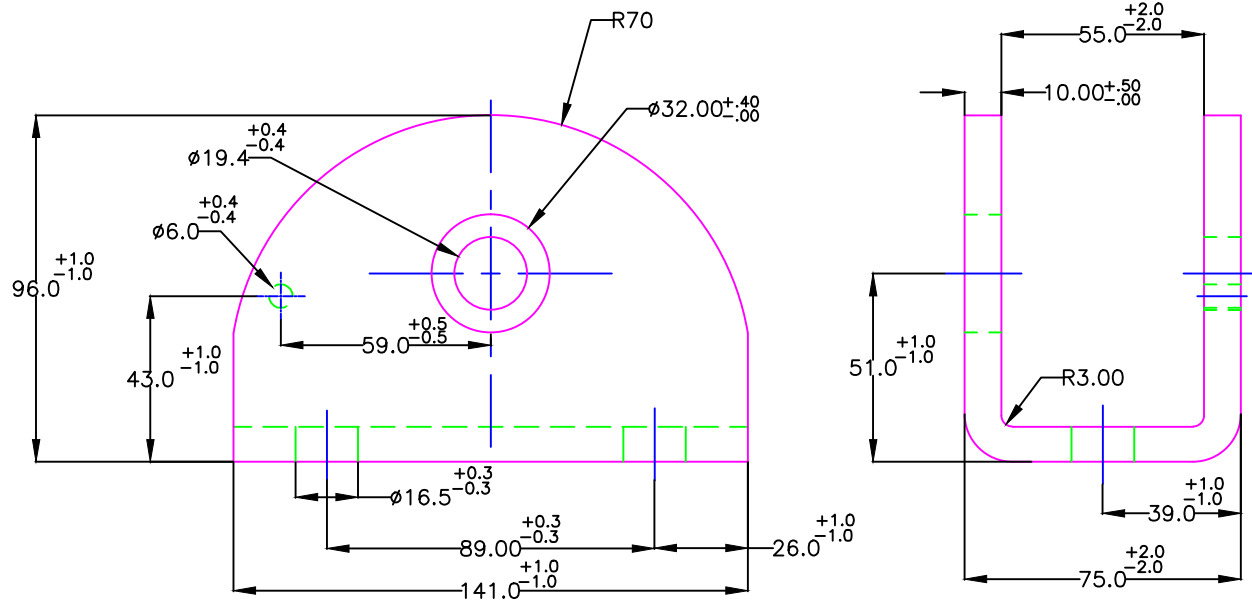
D

C

C

B

B



A

A

Tolerance class		Permissible deviations for basic size range (values in mm)					
Designation	Description	0.5 up to 3	over 3 up to 6	over 6 up to 30	over 30 up to 120	over 120 up to 400	over 400 up to 1000
m	medium	± 0.1	± 0.1	± 0.2	± 0.3	± 0.5	± 0.8

Material: C-20	Weight (Kg): 0.000	Heat treatment: n.a.	Finish: SELF
		Hardness (HRC): n.a.	

PART NAME: BRACKET		Group: n.a.	Particular: n.a.
		FILE NAME: 39885.dwg	

SCALE: 1 : 2		DRW: Randeep Singh	DATE: 01/09//2016
		CTR: Name	

 AMA INDIA ENTERPRISES (P) LTD. BHAMA KALAN, MACHHIWARA, LUDHIANA	DRAWING CODE: 39885		REV	DATE	DRAWING BY
			1		Name
			2		
				3	

This drawing is property of AMA INDIA Enterprises Pvt.Ltd.; transmission and reproduction without authorisation are forbidden by law.

1 2 3 4 5 6 PAPER SIZE A4