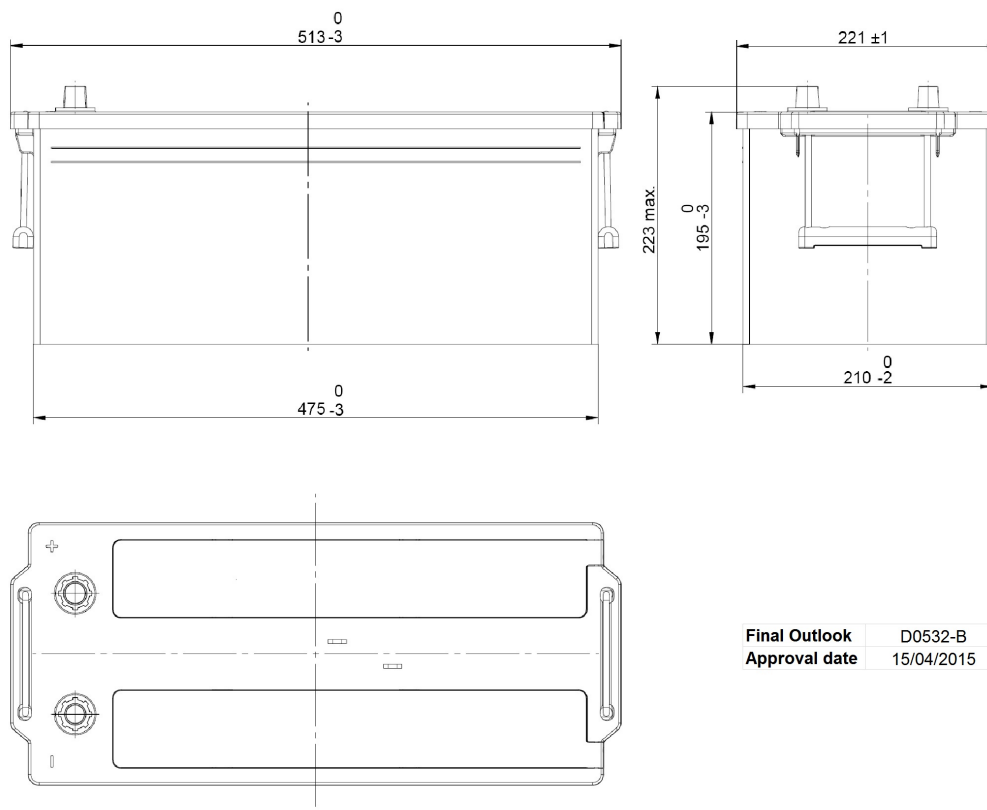


Central Article Code: D05139W32-B

Created: 11/01/2013

Local Code: FJ1723

Modified: 20/12/2018



Final Outlook	D0532-B
Approval date	15/04/2015

PERFORMANCES

Voltage (V):	12 V	
C20 (Ah):	172.0	20 h
Cranking (A):	1390	EN
Charge:	WET	
Technology:	Vented/Flooded	
Grid:	Hybrid	

CONTAINER

Type:	D05	BLACK
Hold Down:	B0	
H.D. Adapter:	No	

COVER

Type:	Flat/Press	BLACK
Polarity:	ETN 3	
Terminals:	EN taper post	
Terminal Adapter:	No	
SOCI:	No	
Ventilation:	Central	
Filter:	1 Filter per Vent	
Lateral Plug:	No	

STD. DIMENSIONS

Length (mm ± 2):	513
Width (mm ± 2):	223
Height (mm ± 2):	223
Total Weight (kg ± 5%):	48.80

PLUGS

Type:	2 x VCL Vent	BLACK
-------	--------------	-------

HANDLES

Type:	2 x Rope (Rigid holde	BLACK
-------	-----------------------	-------

OTHERS

Degassing Tube:	No
-----------------	----

All figures show nominal values. Tolerances are according to EN50342 and applicable European Regulations.