

DOLMAR



GB	Petrol Chain Saw
F	Tronçonneuse à chaîne
D	Benzin-Motorsäge
I	Motosega a benzina
NL	Benzinekettingzaag
E	Motosierra
P	Motosserra a Gasolina
DK	Benzindrevet kædesav
GR	Βενζινοκίνητο αλυσοπρίονο
TR	Benzinli Ağaç Kesim Motoru

ORIGINAL INSTRUCTION MANUAL
INSTRUCTIONS D'EMPLOI D'ORIGINE
ORIGINALBETRIEBSANLEITUNG
MANUALE DI ISTRUZIONI ORIGINALE
ORIGINELE GEBRUIKSAANWIJZING
INSTRUCCIONES DE MANEJO ORIGINALES
INSTRUÇÕES DE SERVIÇO ORIGINAL
ORIGINAL BRUGSANVISNING
ΠΡΩΤΟΤΥΠΟ ΕΓΧΕΙΡΙΔΙΟ ΟΔΗΓΙΩΝ
ORİJİNAL KULLANIM KILAVUZU

Important:

Read this instruction manual carefully before putting the chain saw into operation and strictly observe the safety regulations!
Keep this instruction manual!

Important :

Veillez lire attentivement ce mode d'emploi avant d'utiliser la tronçonneuse à chaîne et respectez strictement les consignes de sécurité !
Conservez ce mode d'emploi !

Wichtig:

Lesen Sie vor Verwendung der Motorsäge diese Betriebsanleitung aufmerksam durch, und halten Sie die Sicherheitsbestimmungen strikt ein!
Bewahren Sie diese Betriebsanleitung auf!

Importante:

Leggere attentamente il presente manuale di istruzioni prima di mettere in funzione la motosega e rispettare scrupolosamente le norme per la sicurezza.
Conservare il manuale di istruzioni.

Belangrijk:

Lees deze gebruiksaanwijzing aandachtig door voordat u de kettingzaag in gebruik neemt en houdt u te allen tijde aan de veiligheidsinstructies!
Bewaar deze gebruiksaanwijzing!

Importante:

Lea atentamente este manual de instrucciones antes de utilizar la motosierra y cumpla estrictamente la normativa de seguridad.
Conserve este manual de instrucciones.

Importante:

Leia cuidadosamente este manual de instruções antes de utilizar a motosserra e cumpra todas as normas de segurança!
Guarde este manual de instruções!

Vigtigt:

Læs denne brugsanvisning omhyggeligt igennem inden du anvender kædesaven og overhold sikkerhedsbestemmelserne til mindste detalje!
Gem denne brugsanvisning!

Σημαντικό:

Πριν θέσετε σε λειτουργία το αλυσοπρίονο διαβάσετε προσεχτικά το παρόν εγχειρίδιο οδηγιών και εφαρμόσετε αυστηρά τους κανονισμούς ασφαλείας!

Κρατήστε αυτό το εγχειρίδιο χρήσης!

Önemli:

Benzinli ağaç kesim motorunu kullanmaya başlamadan önce bu kullanım kılavuzunu dikkatlice okuyun ve güvenlik talimatlarını harfiyen takip edin!

Bu kullanım kılavuzunu saklayın!

PS-352 **PS-352 TLC**

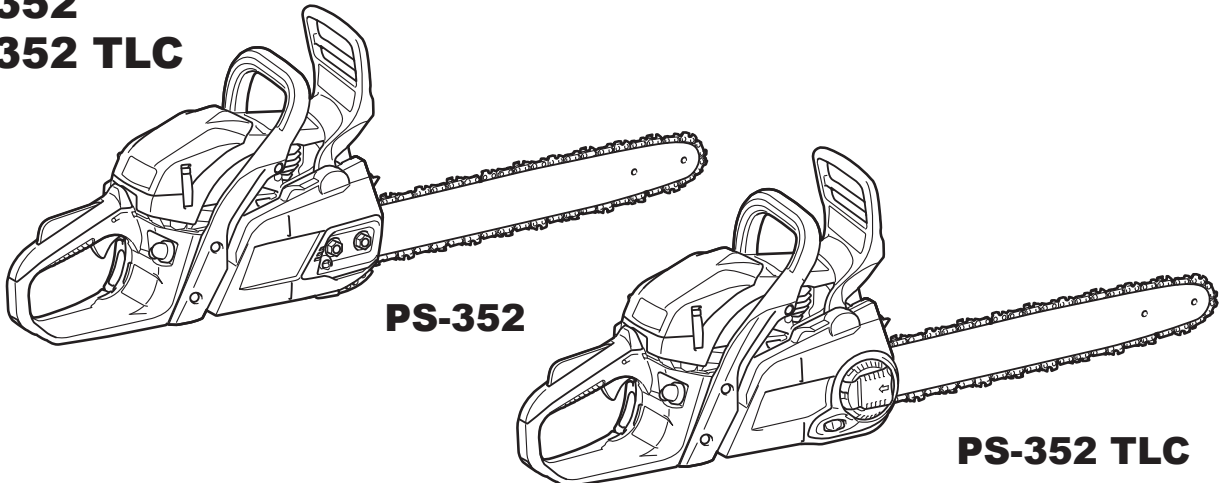


Table of Contents

Page

Symbols.....2
 Safety precautions.....3
 Technical data.....9
 Designation of parts.....10
 Chain saw's safety function.....11
 Assembly.....13
 Before use.....16
 Starting and stopping engine.....18
 Maintenance.....20
 Maintenance interval.....25
 Trouble shooting.....26

SYMBOLS

	Read instruction manual and follow the warning- and safety precautions!		Caution, kickback!
	Particular care and caution!		
	Forbidden!		Chain brake
	Wear protective helmet, eye and ear protection!		Hold the saw with both hands while working! One-handed use is extremely hazardous!
	Wear protective gloves!		Fuel and oil mixture
	No smoking!		Chain oil fill/oil pump
	No open fire!		Saw chain oil adjustment screw
	Stop engine!		Primer pump
	Start engine		Chain direction
	Combination switch, Choke ON/STOP		First aid

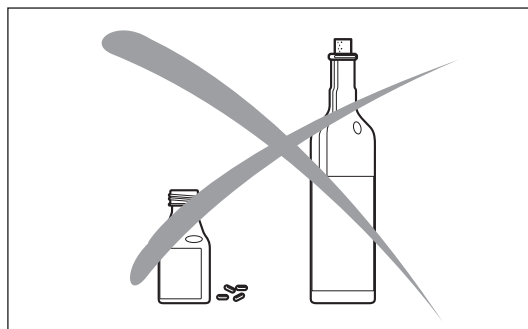
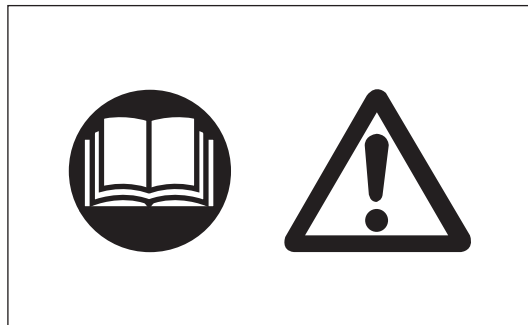
SAFETY PRECAUTIONS

Intended use

This power chain saw is only intended for sawing wood outdoors.

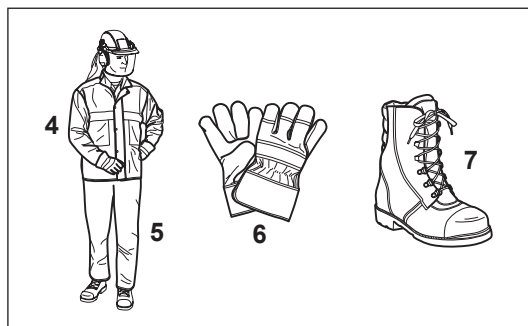
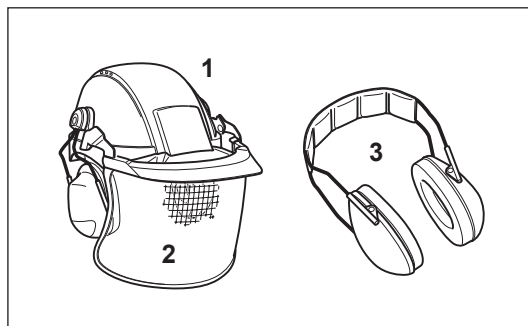
General precautions

- To ensure correct operation the user has to read this instruction manual to make himself familiar with the characteristics of the chain saw. Users insufficiently informed will endanger themselves as well as others due to improper handling.
- It is recommended to lend the chain saw only to people who are experienced in working with chain saws. Always hand over the instruction manual.
- First users should ask the dealer for basic instructions to become familiarized with the characteristics of engine powered sawing or even attend a recognized course of instruction.
- Children and young persons aged under 18 years must not be allowed to operate the chain saw. Persons over the age of 16 years may, however, use the chain saw for the purpose of being trained as long as they are under the supervision of a qualified trainer.
- Operate the chain saw only if you are in good physical condition. If you are tired, your attention will be reduced. Be especially careful at the end of a working day. Perform all work calmly and carefully. The user has to accept liability for others.
- Stay alert, watch what you are doing and use common sense when operating a chain saw. A moment of inattention while operating may result in serious personal injury.
- Never use the chain saw after having consumed alcohol, drugs or medication.
- The muffler may contain carcinogenic chemicals inside. Avoid contact with them in case the muffler is damaged.
- Ignition system of the engine emits electromagnetic wave during operation. It may interfere with medical equipments under certain circumstances, and may cause serious injury to persons with pace maker. It is recommended that persons with pace maker shall consult with their physicians and pacemaker manufacturer before using the chain saw.
- Do not use a chain saw which seems to be modified.
- A fire extinguisher and shovel must be available in the immediate vicinity when working in easily inflammable vegetation or when it has not rained for a long time (danger of fire).
- National regulation can restrict the use of the machine. Follow your county's regulations relating to use of chain saw.



Personal protective equipment

- In order to avoid head, eye, hand or foot injuries as well as to protect your hearing the following protective equipment must be used during operation of the chain saw:
- The kind of clothing should be appropriate, i. e. it should be tight-fitting but not be a hindrance. Do not wear jewellery or clothing which could become entangled with bushes or shrubs. If you have long hair, always wear a hairnet.
- It is necessary to wear a protective helmet whenever working with the chain saw. The protective helmet (1) is to be checked in regular intervals for damage and is to be replaced after 5 years at the latest. Use only approved protective helmets.
- The face shield (2) of the protective helmet (or the goggles) protects against sawdust and wood chips. During operation of the chain saw always wear a goggle or a face shield to prevent eye injuries.
- Wear adequate noise protection equipment (ear muffs (3), ear plugs, etc.). Long time exposure to noise may cause permanent hearing disorder.
- The safety jacket (4) is provided with special signal-colored shoulder straps and is comfortable and easy to care for.
- The protective brace and bib overall (5) is made of a nylon fabric with 22 layers and protects against cuts. We strongly recommend its use.
- Protective gloves (6) made of thick leather are part of the prescribed equipment and must always be worn during operation of the chain saw.
- During operation of the chain saw safety shoes or safety boots (7) fitted with anti skid sole, steel toe caps and protection for the leg must always to be worn. Safety shoes equipped with a protective layer provide protection against cuts and ensure a secure footing.
- Wear protective mask when necessary. Long time exposure to exhaust fumes, chain oil mist, and saw dust can damage your health.



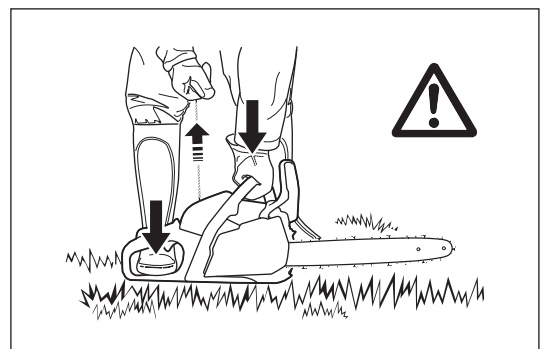
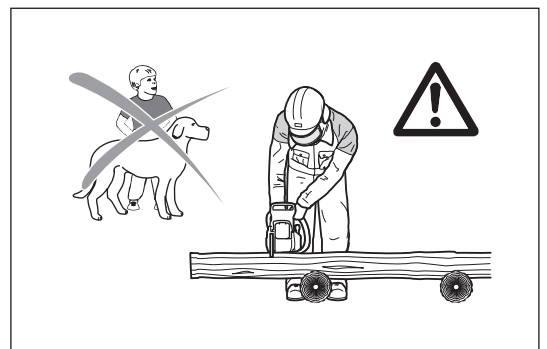
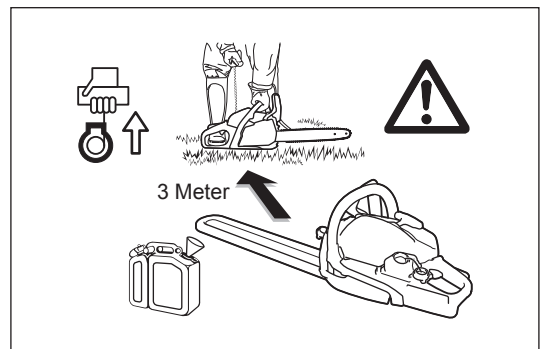
Fuels/Refuelling

- Stop the engine before refuelling the chain saw.
- Do not smoke or work near open fires.
- Let the engine cool down before refuelling.
- Fuels can contain substances similar to solvents. Eyes and skin should not come in contact with mineral oil products. Always wear protective gloves when refuelling. Frequently clean and change protective clothes. Do not breathe in fuel vapors. Inhalation of fuel vapors can be hazardous to your health.
- Do not spill fuel or chain oil. When you have spilled fuel or oil immediately clean the chain saw. Fuel should not come in contact with clothes. If your clothes have come in contact with fuel, change them at once.
- Ensure that no fuel or chain oil oozes into the soil (environmental protection). Use an appropriate base.
- Refuelling is not allowed in closed rooms. Fuel vapors will accumulate near the floor (explosion hazard).
- Ensure to firmly tighten the screw plugs of the fuel and oil tanks.
- Change the place before starting the engine (at least 3 m from the place of refuelling).
- Fuel cannot be stored for an unlimited period of time. Buy only as much as will be consumed in the near future.
- Use only approved and marked containers for the transport and storage of fuel and chain oil. Ensure children have no access to fuel or chain oil.



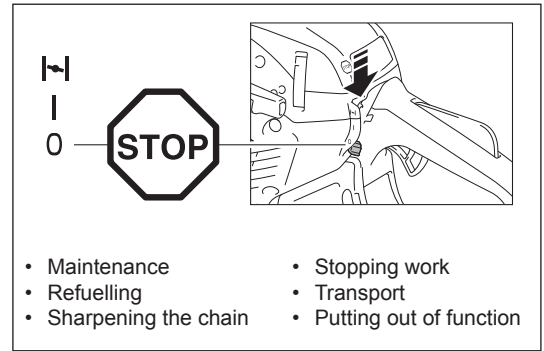
Putting into operation

- **Do not work on your own. Another person must be nearby in case of emergencies** (within shouting distance).
- Ensure that there are no children or other people within the working area. Pay attention to any animals in the working area, as well.
- **Before starting work the chain saw must be checked for perfect function and operating safety according to the prescriptions. Never use a chain saw with defects.** Check especially the function of the chain brake, the correct mounting of the guide bar, the correct sharpening and tightening of the chain, the firm mounting of the chain cover, the easy motion of the throttle trigger and the function of the throttle trigger lock-out, the cleanliness and dryness of the handles, and the function of the combination switch.
- When you drop the chain saw or it gets other impacts, stop using the tool immediately and perform inspection for identify significant damage or defects.
- Put the chain saw only into operation if it is completely assembled. Never use the chain saw when it is not completely assembled.
- Check your personal protective equipment.
- Put the chain saw into operation only as described in this instruction manual. Other starting methods are not allowed.
- Before starting the chain saw ensure that you have a safe footing.
- When starting the chain saw it must be well supported and securely held. The guide bar and chain must not be in contact with any object.
- Check chain oil reaches sufficiently to the chain.



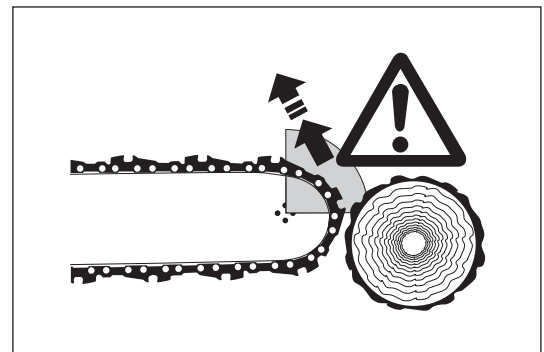
Operation

- **When working with the chain saw always hold it with both hands.** Take the rear handle with the right hand and the front handle with the left hand. Hold the handles tightly with your thumbs facing your fingers.
- **⚠ CAUTION: When releasing the throttle trigger the chain will keep on running for a short period of time (free-wheeling).**
- Continuously ensure that you have a safe footing.
- Hold the chain saw such that you will not breathe in the exhaust gas. Do not work in closed rooms (danger of poisoning).
- **Switch off the chain saw immediately if you observe any changes in its operating behavior.**
- **The engine must be switched off before checking the chain tension, tightening the chain, replacing it or clearing malfunctions.**
- When the sawing device is hit by stones, nails or other hard objects, switch off the engine immediately and check the sawing device.
- When stopping work or leaving the working place, switch off the chain saw and put it down such that nobody is endangered.
- **⚠ CAUTION: Do not put the overheated power chain saw in dry grass or on any inflammable objects. The muffler is very hot (danger of fire).**
- **CAUTION:** Oil dropping from the chain or guide bar after having stopped the saw chain will pollute the soil. Always use an appropriate base.



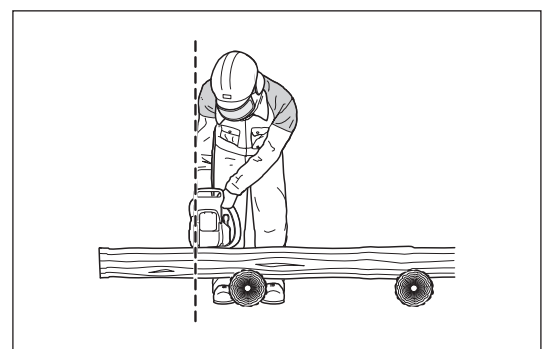
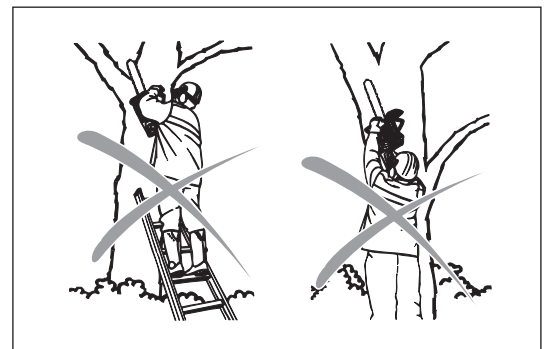
Kickback

- When working with the chain saw dangerous kickbacks may occur.
- Kickback occurs when the upper part of the end of the guide bar inadvertently touches wood or other hard objects.
- This causes the saw to be thrown back toward the user with great force and out of control. **Risk of injury!**
- **In order to prevent kickback, follow these rules:**
 - Only specially-trained persons should perform plunge cuts, i.e., piercing timber or wood with the tip of the saw!
 - Never apply the end of the bar when starting to make a cut.
 - Always observe the end of the guide bar. Be careful when continuing an already started cut.
 - When starting to cut the chain must be running.
 - Ensure that the chain is always sharpened correctly. Pay special attention to the height of the depth limiter.
 - Never cut several branches at the same time. When cutting a branch ensure that no other branch is touched.
 - When crosscutting a trunk be aware of the trunks next to it.



Working behavior/Method of working

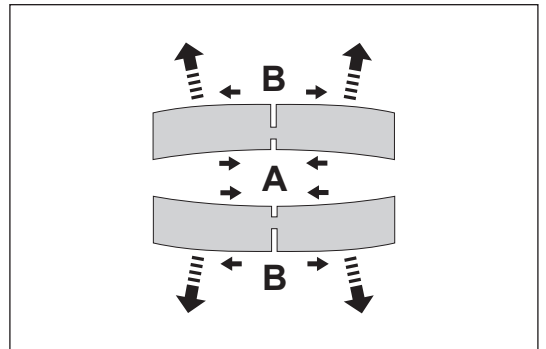
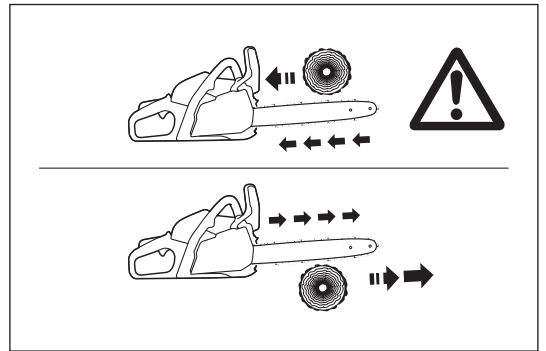
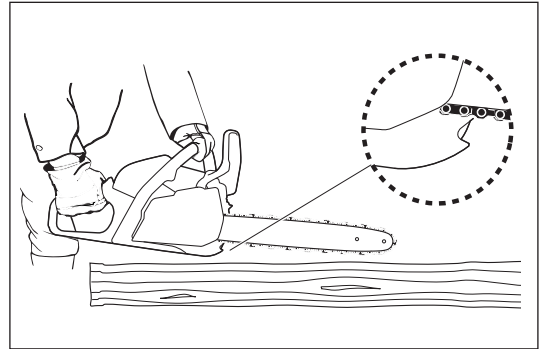
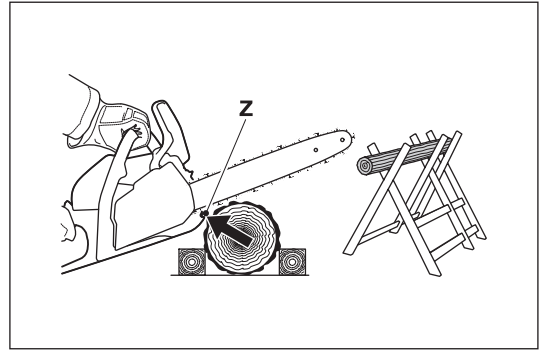
- Only use the chain saw during good light and visibility periods. Be aware of slippery or wet areas, and of ice and snow (risk of slipping). The risk of slipping is extremely high when working on recently peeled wood (bark).
- Never work on unstable surfaces. Make sure that there are no obstacles in the working area, risk of stumbling. Always ensure that you have a safe footing.
- Never saw above your shoulder height.
- Never saw while standing on a ladder.
- Never climb up into trees to perform sawing with the chain saw.
- Do not work leaning too far over.
- Guide the chain saw in such a way that no part of your body is within the elongated swivelling range of the saw.
- Use the chain saw for sawing wood only.
- Avoid touching the ground with the chain saw while it is still running.
- Never use the chain saw for lifting up or removing pieces of wood or other objects.
- Remove foreign objects such as sand, stones and nails found within the working area. Foreign objects may damage the sawing device and can cause dangerous kickback.
- When sawing pre-cut timber use a safe support (sawing jack). Do not steady the workpiece with your foot, and do not allow anyone else to hold or steady it.
- Secure round pieces against rotation.



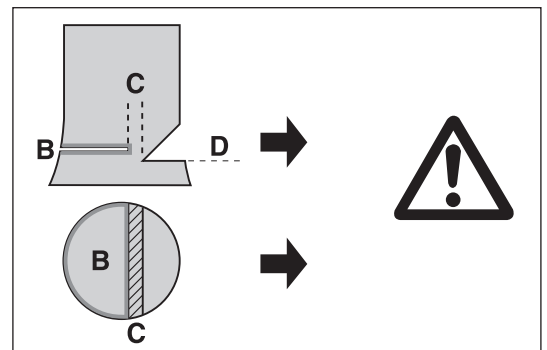
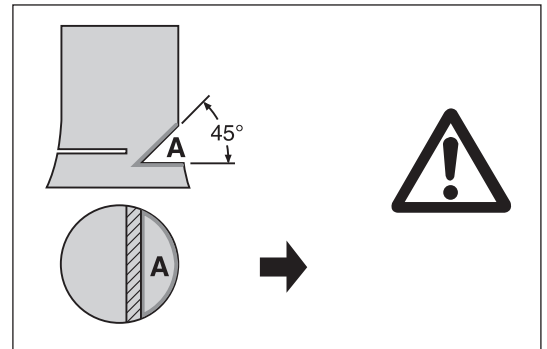
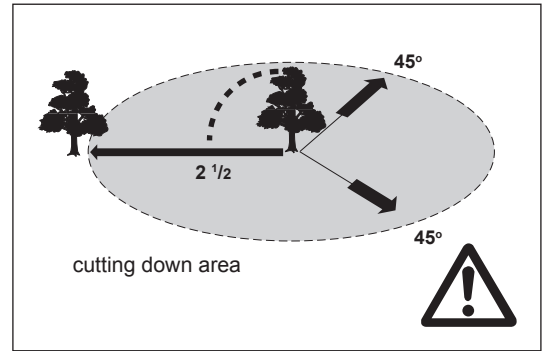
- For cutting down trees or performing crosscuts the spike bumper (Z) must be applied to the wood to be cut.
- Before performing a **crosscut** firmly apply the spike bumper to the timber, only then can the timber be cut with the chain running. For this the chain saw is lifted at the rear handle and guided with the front handle. The spike bumper serves as a centre of rotation. Continue by slightly pressing down the front handle and simultaneously pulling back the chain saw. Apply the spike bumper a little bit deeper and once again lift the rear handle.
- **When the timber must be pierced for cutting or longitudinal cuts are to be performed it is urgently recommended to have this carried out by specially trained persons only** (high risk of kickback).
- Do **longitudinal - lengthwise - cuts** at the lowest possible angle. Be very careful when doing this type of cut, as the spike bumper cannot grip.
- The saw must be running whenever you remove the chain saw from the wood.
- When performing several cuts the throttle trigger must be released in between.
- Be careful when cutting splintery wood. Cut pieces of wood may be pulled along (risk of injuries).
- When cutting with the upper edge of the guide bar, the chain saw may be pushed in the direction of the user if the chain gets clamped. For this reason use the lower edge of the bar whenever possible. The chain saw will then be pushed away from you.
- If the timber is under tension, first cut the pressure side (A). Then the crosscut can be performed on the tension side (B). Thus clamping of the guide bar can be avoided.

⚠ CAUTION:
People felling trees or cutting of branches must be specially trained. High risk of injuries!

- When cutting of branches, the chain saw should be supported on the trunk. Do not use the end of the bar for cutting (risk of kickback).
- Be aware of branches under tension. Do not cut free branches from below.
- Never perform detensioning cuts while standing on the trunk.

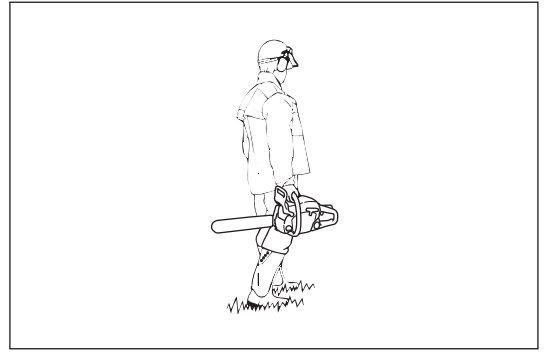


- **Before cutting down a tree ensure that**
 - a) only those people are within the working area which are actually involved in cutting down the tree.
 - b) every worker involved can withdraw without stumbling (the people should withdraw backwards in a diagonal line, i. e. at a degree of 45°).
 - c) the bottom part of the trunk is free from foreign objects, underbrush and branches. Make sure to have a safe footing (risk of stumbling).
 - d) the next working place is at least 2 1/2 tree lengths away. Before cutting down the tree check the direction of fall and make sure that there are neither people nor objects within a distance of 2 1/2 tree lengths.
- **Judging the tree:** Direction of hanging - loose or dry branches - height of the tree - natural overhang - is the tree rotten?
- Take into account the direction and speed of the wind. If strong gusts are occurring, do not do any felling.
- **Cutting the roots:** Start with the strongest root. First do the vertical and then the horizontal cut.
- **Notching the trunk:** The notch (A) determines the direction of fall and guides the tree. The trunk is notched perpendicular to the direction of fall and penetrates 1/3 - 1/5 of the trunk diameter. Perform the cut near the ground.
- When correcting the cut, always do so over the whole width of the notch.
- **Cut down** the tree above the bottom edge of the notch (D). The cut must be exactly horizontal (B). The distance between both cuts (C) must be approx. 1/10 of the trunk diameter.
- The **material between both cuts** serves as a hinge. Never cut it through, otherwise the tree will fall without any control. Insert felling wedges in time.
- Secure the cut only with wedges made of plastic or aluminium. Do not use iron wedges. If the saw hits an iron wedge the chain can be seriously damaged or torn.
- When cutting down a tree always stay sideways of the falling tree.
- When withdrawing after having performed the cut, be alert for falling branches.
- When working on sloping ground the user of the chain saw must stay above or sideways of the trunk to be cut or the tree already cut down.
- Be alert for trunks which may roll towards you.



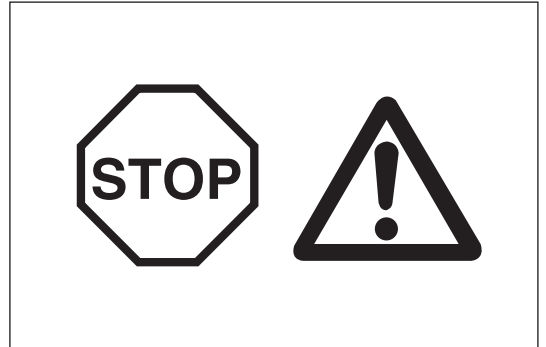
Transport and storage

- **When changing your location during work switch off the chain saw and actuate the chain brake in order to prevent an inadvertent start of the chain.**
- **Never carry or transport the chain saw with the chain running. When the saw is hot, do not cover it (with a tarp, blanket, newspaper or the like). Let the saw cool down before putting it in a storage case or vehicle. Saws with catalytic converter take longer to cool down!**
- Use the chain protection cover during transport and storage.
- Carry the chain saw with the front handle. The guide bar points backwards. Avoid coming in contact with the muffler (danger of burns).
- Ensure safe positioning of the chain saw during car transportation to avoid fuel leakage, damage or injury.
- Store the chain saw safely in a dry place. It must not be stored outdoors. Keep the chain saw away from children.
- Before storing the chain saw over a long period of time or shipping it, the fuel and oil tanks must be completely emptied.
- Perform cleaning and maintenance before storage.



Maintenance

- **Before performing maintenance work switch off the chain saw and pull out the plug cap.**
- Before starting work always check the operating safety of the chain saw, in particular the function of the chain brake. Make sure that the chain is always sharpened and tightened correctly.
- Operate the chain saw only at a low noise and emission level. For this ensure the carburetor is adjusted correctly.
- Regularly clean the chain saw.
- Regularly check the tank cap for tightness.
- **Observe the accident prevention instructions issued by trade associations and insurance companies.**
- **Do not perform any modifications on the chain saw. You will put your safety at risk.**
- Perform only the maintenance and repair works described in the instruction manual. All other work must be carried out by Dolmar Service.
- Use only original Dolmar spare parts and accessories.
- Using spare parts other than original Dolmar parts or accessories and guide bar/chain combinations or lengths which are not approved bring a high risk of accidents. We cannot accept any responsibility for accidents and damage resulting from using sawing devices or accessories which have not been approved.

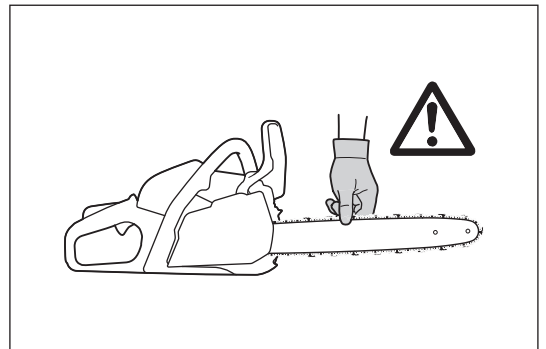


Vibration

Individuals with poor circulation who are exposed to excessive vibration may experience injury to blood vessels or the nervous system.

Vibration may cause the following symptoms to occur in the fingers, hands or wrists: "Falling asleep" (numbness), tingling, pain, stabbing sensation, alteration of skin color or of the skin.

If any of these symptoms occur, see a physician! To reduce the risk of vibration white finger, keep your hands warm, wear gloves, and make sure the saw chain is sharp.



First Aid

In case of accident make sure that a first-aid box is available in the vicinity of the cutting operations. Immediately replace any item taken from the first aid box.

When asking for help, please give the following information:

- Place of accident
- What happened
- Number of injured persons
- Kind of injuries
- Your name



For European countries only

EC Declaration of Conformity

The EC declaration of conformity is included as Annex A to this instruction manual.

TECHNICAL DATA

Model		PS-352	PS-352 TLC
Overall length (without guide bar)	mm	388	
Net weight	kg	4.2	
Stroke volume	cm ³	35.2	
Bore	mm	38	
Stroke	mm	31	
Max. power at speed	kW/min ⁻¹	1.7/10,000	
Max. torque at speed	Nm/min ⁻¹	2.0/7,000	
Idling speed/max. engine speed with bar and chain	min ⁻¹	2,900/13,500	
Clutch engagement speed	min ⁻¹	4,100	
Carburetor	Type	Diaphragm	
Spark plug	Type	NGK BPMR 8Y	
Electrode gap	mm	0.7	
Fuel tank capacity	cm ³	310	
Chain oil tank capacity	cm ³	260	
Mixture ratio (fuel/two stroke oil) Dolmar genuine oil or quality grade JASO FC (ISO EGC) or upper		50:1	
Chain brake		Engages manually or in case of kickback.	
Chain speed	m/s	25.3	
Sprocket pitch	mm (inch)	0.95 (3/8)	
Number of teeth	Z	6	
Sound pressure level at the workplace L _{PA,eq} per ISO 22868 ¹⁾	dB (A)	99	
	K _{PA}	2.5	
Sound power level L _{WA, FI + Ra} per ISO 22868 ²⁾	dB (A)	111	
	K _{WA}	2.5	
Vibration acceleration a _{hv,eq} per ISO22867 ¹⁾	front handle	m/s ²	3.3
		K	2.0
	rear handle	m/s ²	3.4
		K	2.0

1) Figures derived in equal part from idling, full-load and racing speed.

2) Figures derived in equal part from full-load and racing speed.

- Due to our continuing program of research and development, the specifications herein are subject to change without notice.
- Specifications may differ from country to country.

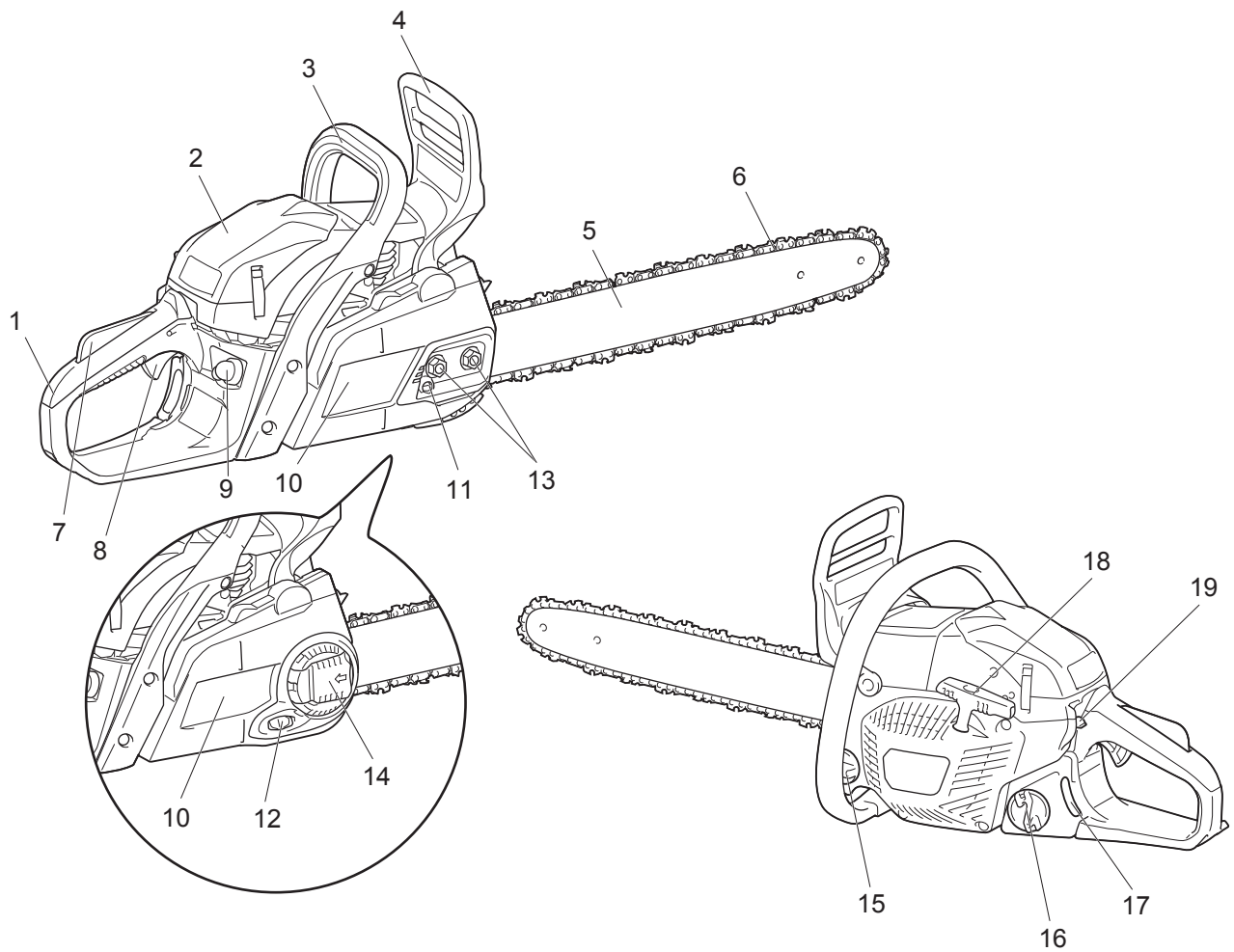
Guide bar and saw chain

Guide bar type		Sprocket nose bar	
Length		350 mm	400 mm
Cutting length		325 mm	360 mm
Saw chain	Type	492 (91PX)	
Pitch		3/8"	
Gauge		1.3 mm (0.05")	
No. of drive links		52	56

WARNING:

Use appropriate combination of the guide bar and saw chain. Otherwise personal injury may result.

DESIGNATION OF PARTS



	Designation of parts
1	Rear handle
2	Cleaner cover
3	Front handle
4	Front hand guard
5	Guide bar
6	Saw chain
7	Throttle trigger lock-out
8	Throttle trigger
9	Fuel pump (Primer)
10	Chain cover
11	Chain adjusting screw
12	Chain adjusting dial
13	Retaining nuts
14	Lever
15	Oil tank cap
16	Fuel tank cap
17	Fuel level gauge
18	Starter grip
19	Combination switch

CHAIN SAW'S SAFETY FUNCTION

⚠ WARNING:

- Following safety functions does NOT guarantee all time protection from injury. **Only proper usage and technique can reduce the risk of kickback and other dangerous accidents.**
- Always check the safety functions before use.
- If the chain saw fails any of the checking, switch off the engine immediately, and do NOT use the chain saw. Contact Dolmar authorized service center.

Chain brake

The chain brake is designed to stop the chain to standstill within a fraction of a second. It is activated when the kickback is sufficiently strong. To engage the chain brake manually, push the front hand guard forward (forwards the tip of the saw) with your left hand.

To release the chain brake, pull the front hand guard towards backward (towards you).

NOTICE:

- Do not accelerate the engine with the chain brake actuated (except for testing).
- Always release the chain brake before starting the operation.

Checking the chain brake

1. Run the engine at idle speed.
2. Hold the chain saw with both hands. Hold the rear handle with your right hand, the front handle with your left. Make sure that the guide bar and the chain do not contact with any object.
3. Push the front hand guard using the back of your hand, until the chain brake engages.
4. Accelerate till engine reaches full throttle for less than 3 seconds. Make sure that the saw chain does not move at all.
5. Bring the engine back to idle and release the chain brake.

Checking the brake band

The brake band is at the back of the chain cover. Chain brake wears out in course of time. Have it checked and serviced by Dolmar authorized service center at least every 3 month.

Throttle trigger lock-out

Throttle trigger lock-out is designed to prevent accidental start. You can pull the throttle trigger only when the throttle trigger lock-out is pressed (i.e. when you grasp the handle).

Checking throttle trigger lock-out

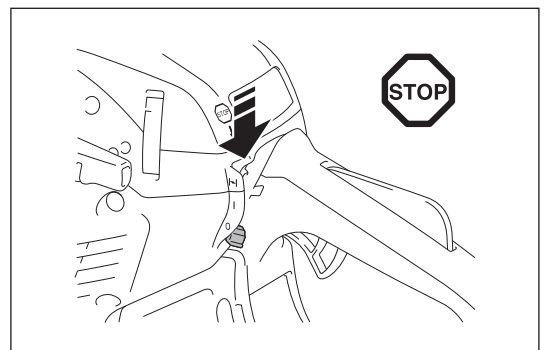
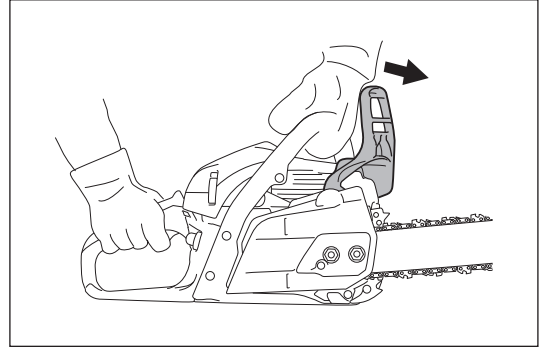
Check the throttle trigger lock-out returns its original position after releasing your hand from the rear handle.

Engine stop

Make sure that the engine stops when you intend to.

Checking the engine stop

Start the engine. Then release the throttle trigger, and press down the combination switch to lower (O) position.

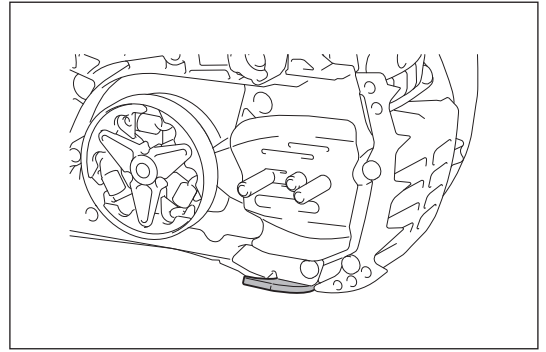


Chain catcher

Chain catcher is designed to catch the chain in case the saw chain jumps from the guide bar. The saw chain should not jump if it is properly tensioned. Always check and adjust the tension of the saw chain in accordance with this instruction manual.

Checking chain catcher

Check the chain catcher is not damaged and securely sits on the housing.



ASSEMBLY

⚠ WARNING:

- Before performing any work on the guide bar or saw chain, always switch off the engine and make sure that the cutting tool is stopped.
- Always wear protective gloves.

⚠ CAUTION:

- Start the chain saw only after having assembled it completely and inspected.

Installing guide bar and saw chain

NOTICE:

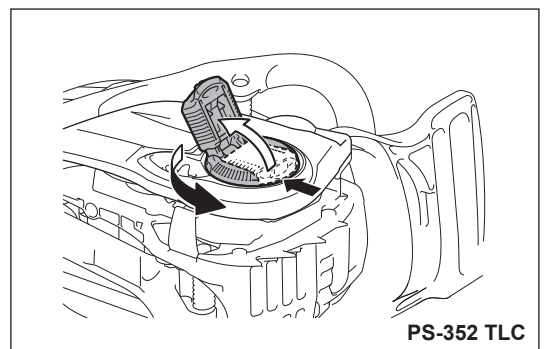
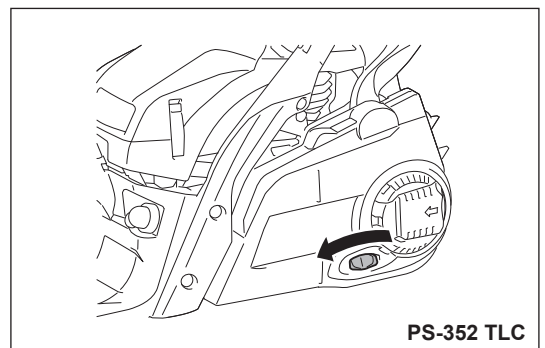
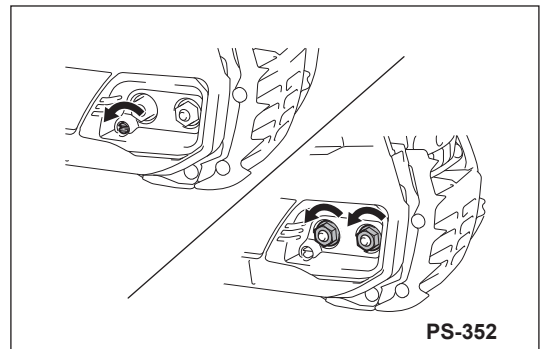
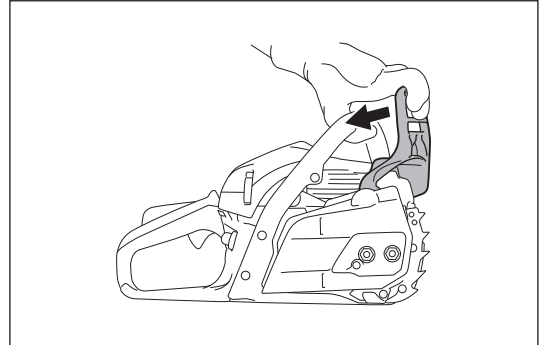
- Installing or removing saw chain should be carried out in a clean place free from sawdust or other foreign material.

Put the chain saw on a stable surface and carry out the following steps:

1. Release the chain brake by pulling the front hand guard.
2. Loosen chain tension fully.
3. (For model PS-352) Unscrew the retaining nuts.
(For model PS-352 TLC) Press and fully open the lever until it stops. Turn the lever counterclockwise.
4. Remove the chain cover.

NOTICE:

- You can not remove the chain cover without releasing the chain brake.



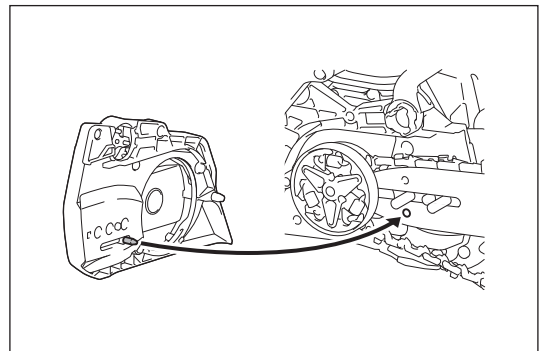
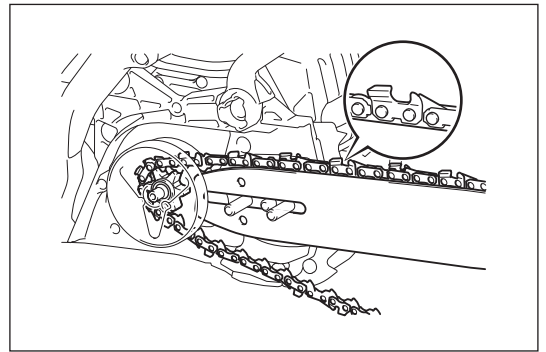
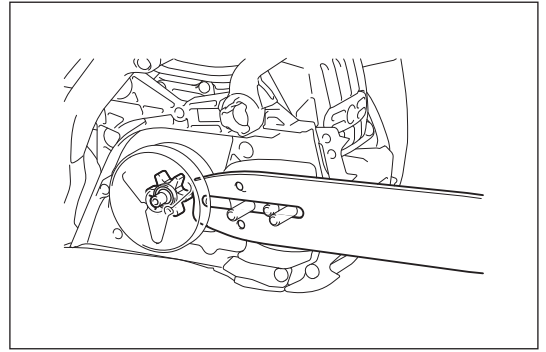
5. Place the guide bar over the bar bolts.
6. Check the direction of the saw chain. The arrows on the saw chain must point the same direction as the arrow on the saw housing.
7. Fit the saw chain at the sprocket first, then fit the saw chain on the guide bar tip.
8. Place the chain cover as the adjusting pin come on the hole on the guide bar.

NOTICE:

- Lift the saw chain over the chain catcher.
9. (For model PS-352) Tighten the retaining nuts to secure the chain cover, then loosen them a bit for tension adjustment.
(For model PS-352 TLC) Turn the lever clockwise to secure the chain cover, then loosen them a bit for tension adjustment.
 10. Adjust the saw chain tension. (See the section "Adjusting saw chain tension" step 3 and after.)

NOTE:

- In order to gain uniform wear of the guide bar, turned it over when replacing the chain.



Adjusting saw chain tension

⚠ CAUTION:

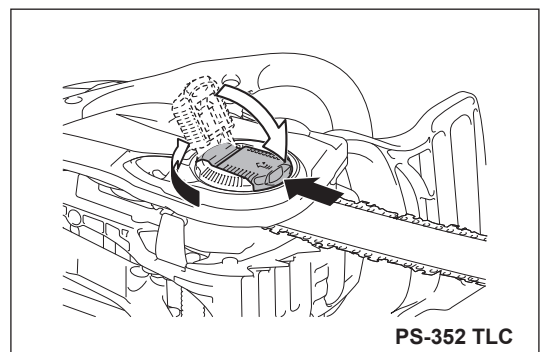
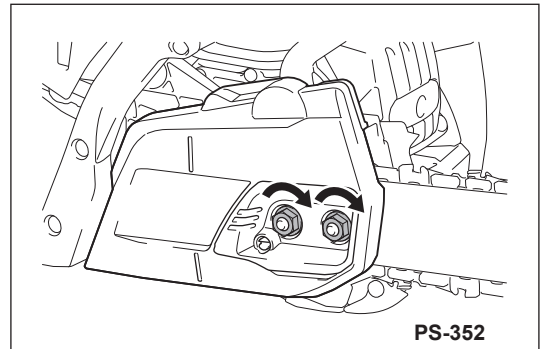
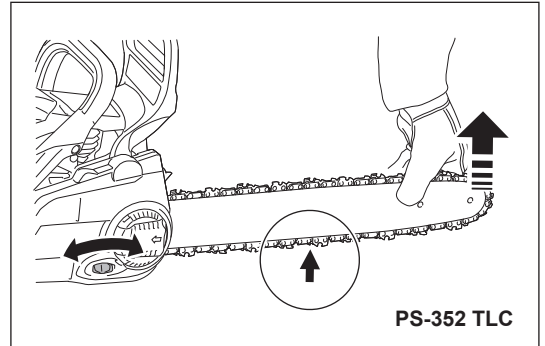
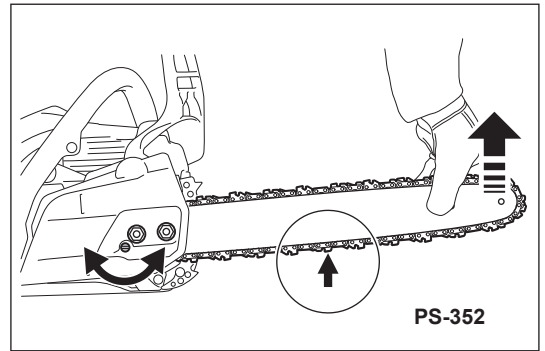
- Excessively loose saw chain may jump off the bar, and therefore presents an accident risk. If the saw chain is too loose, adjust it.
- Excessively high tension of saw chain may cause breakage of saw chain, wear of the guide bar and breakage of the adjusting screw/dial.

The saw chain may become loose after many hours of use. When you change the saw chain or after some hours of operation, check the saw chain tension before use. Properly adjusted saw chain contributes good performance and tool's long life. The tension of the chain is correct if the chain rests against the bottom side of the guide bar and can still be easily turned by hand.

Check the chain tension frequently, new chain tends to become longer during use.

To adjust tension of the saw chain, perform the following procedure:

1. Release the chain brake by pulling the front hand guard.
2. (For model PS-352) Unscrew the retaining nuts a bit to loosen the chain cover.
(For model PS-352 TLC) Press and fully open the lever until it stops. Turn the lever counterclockwise a bit to loosen the chain cover.
3. Slightly lift and hold the tip of the guide bar.
4. (For model PS-352) Turn the chain adjusting screw to adjust the saw chain tension.
(For model PS-352 TLC) Turn the chain adjusting dial to adjust the saw chain tension.
5. Adjust the chain tension until the lower side of the saw chain fits in the guide bar rail (see circle in the figure).
During adjusting the chain tension, keep lifting up the tip of the guide bar.
6. Keep holding the guide bar lightly, and tighten the chain cover after adjusting the chain tension.
(For model PS-352) Tighten the retaining nuts to secure the chain cover.
(For model PS-352 TLC) Turn the lever fully clockwise to secure the chain cover. Then press and close the lever.
7. Make sure that the saw chain does not loose at lower side but it fits snugly against the lower side of the bar.



BEFORE USE

⚠ WARNING:

- AVOID SKIN AND EYE CONTACT. Mineral oil products degrease your skin. If your skin comes in contact with these substances repeatedly and for an extended period of time, it may dry your skin. Various skin diseases may result. In addition, allergic reactions are known to occur. Eyes can be irritated by contact with oil. If oil comes into your eyes, immediately wash them with clear water. If your eyes are still irritated, see a doctor immediately.

Fuel

⚠ CAUTION:

- Be especially careful when handling gasoline.
- Do not smoke. Keep tool well away from open flames, spark, or fire (explosion hazard).

Fuel mixture

This tool is powered by a high-performance air-cooled two stroke engine. It runs on a mixture of gasoline and two-stroke engine oil.

The engine is designed for unleaded regular gasoline with a min. octane value of 91 RON (89 AKI), and ethanol contained no more than 10%. In case no such fuel is available, you can use fuel with a higher octane value. This will not affect the engine.

In order to obtain an optimum engine output and to protect your health and the environment use unleaded fuel only.

To lubricate the engine, use synthetic oil for two-stroke air-cooled engines (Dolmar genuine oil or quality grade JASO FC (ISO EGC) or upper). Mix engine oil with fuel.

⚠ CAUTION:

- Do not use ready-mixed fuel from petrol stations.
- The correct mixture ratio: 50:1 i.e. mix 50 parts gasoline with 1 part oil.

NOTE:

- For preparing the fuel-oil mixture first mix the entire oil quantity with half of the fuel required, then add the remaining fuel. Thoroughly shake the mixture before filling it into the chain saw tank.

Do not add more engine oil than specified. Incorrect mixture ratio of oil results in making more polluting combustion residues. It also causes clog exhaust channel in the cylinder and muffler, and causes poor performance and excessive fuel consumption.

The Storage of Fuel

Fuels have a limited storage life. Fuel mixtures age through evaporation, especially at high temperatures. Aged fuel and fuel mixtures can cause starting problems and damage the engine. Purchase only that amount of fuel, which will be consumed over the next few months. At high temperatures, once fuel has been mixed it should be used up in 6-8 weeks.

Preserve fuel only in proper containers, in dry, cool, secure locations.

Chain oil

Use oil with adhesive additive for lubricating the chain and guide bar. The adhesive additive prevents the oil from being flung off the chain too quickly.

We recommend the use of Dolmar genuine chain oil or chain oil which is bio-degradable in order to protect the environment. The use of bio-degradable oil may even be required by local regulations.

Bio-degradable oil is stable only for a limited period of time. Use it within 2 years from the date of manufacture (printed on the container).

Important note on bio-degradable chain oils

If you are not planning to use the saw again for an extended period of time, empty the oil tank and put in a small amount of regular engine oil (SAE 30), and then run the saw for a time. This is necessary to flush out all remaining bio-degradable oil from the oil tank, oil-feed system, chain and guide bar, as many such oils tend to leave sticky residues over time, which can cause damage to the oil pump or other parts.

NEVER USE WASTE OIL

Waste oil is very dangerous for the environment.

Waste oil contains high amounts of carcinogenic substances.

Residues in waste oil result in extreme wear and scuff at the oil pump and the sawing device.

In case of damage caused by using waste oil or inappropriate chain oil the product warranty will be void.

Refuelling and refilling chain oil

⚠ WARNING:

- FOLLOW THE SAFETY PRECAUTIONS. Be careful and cautious when handling fuels.
- Switch off the engine.

⚠ CAUTION:

- Clean the tank cap and the area around the tank after refuelling.

Refuel or refill the chain oil as follows:

1. Thoroughly clean the area around the caps, to prevent dirt from getting into the fuel or oil tank.
2. Unscrew the cap and fill the each tanks with fuel (fuel/oil mixture) and chain oil respectively.
3. Fill up to the bottom edge of the filler neck. Be careful not to spill fuel or chain oil!
4. Tighten the tank caps by hand as far as it goes.

Lubricating the chain

⚠ WARNING:

- Check the chain oil tank only when the engine is switched off.

Make sure there is sufficient chain oil in the chain oil tank to provide good chain lubrication during operation.

At medium oil feed rate, the oil tank capacity is approximately equal to the run time of one tank of fuel.

Before operation or refueling, check the chain oil level and refill if necessary.

Adjusting the chain lubrication

⚠ WARNING:

- Switch off the engine.

You can adjust the oil pump feed rate with adjusting screw. There are three degrees of the oil pump feed rate, i.e. high, middle or low.

Adjusting screw locates at the bottom of the chain saw. Use a screwdriver and adjust the amount of oil delivery appropriately.

Cleaning the oil guide

To ensure secure operation of the oil pump, clean the oil guide groove at the housing and the oil feed hole in the guide bar regularly.

Checking the chain lubrication

⚠ CAUTION:

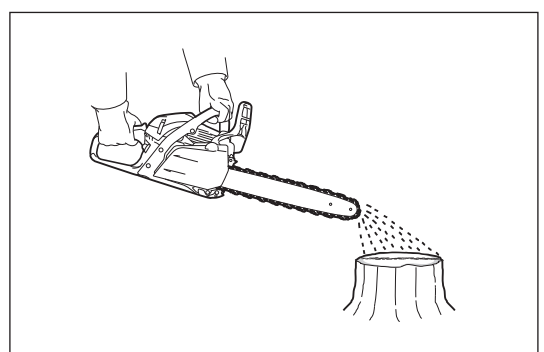
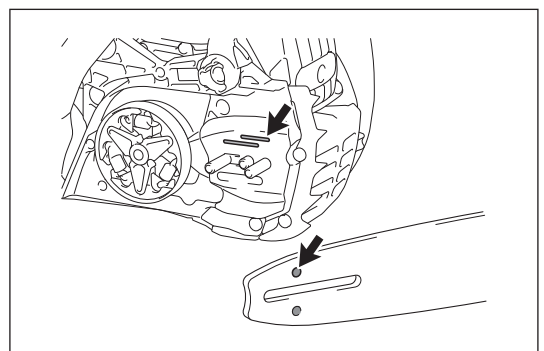
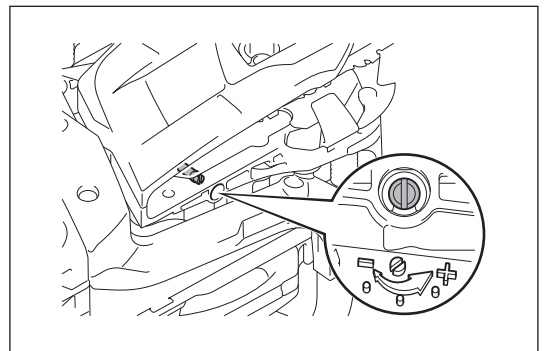
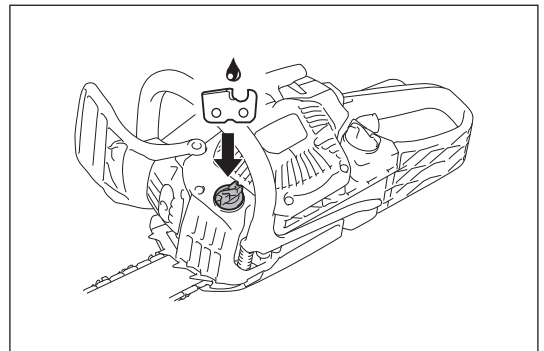
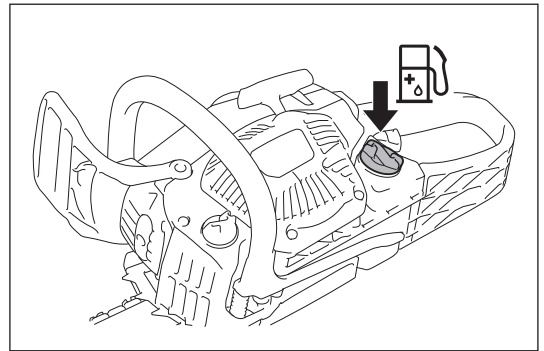
- Never work with the chain saw without sufficient chain lubrication. Otherwise the service life of the saw chain and guide bar is reduced.
- Before starting work check the oil level in the tank and the oil feed.
- Pay attention to the direction of the wind and avoid unnecessary exposure to the oil spray.

Check the oil feed rate as follows:

1. Start the chain saw.
2. Hold the running chain saw approx. 15 cm (6") above a trunk or the ground (use an appropriate base).
3. If the lubrication is sufficient, you can see light oil trace because oil is scattered off the chain.

NOTE:

- After turning off the chain saw, it is normal that residual chain oil drips from the oil feed system, the guide bar and the chain for a while. This does not mean a defect. Place the saw on a suitable surface.



STARTING AND STOPPING ENGINE

⚠ WARNING:

- Do not start the engine before the chain saw is completely assembled and checked.

⚠ CAUTION:

- Move at least 3 meters (10 ft.) away from the place where the chain saw is fuelled.
- Make sure you have a secure footing, and place the saw on the ground.
- Make sure the guide bar and saw chain does not touch anything.
- Do not forget to activate chain brake before starting the engine.

NOTICE:

- Never pull the rope to the full extension.
- Return the starter grip gently into the housing. Otherwise released starter grip may hit your body or it may not rewind appropriately.
- The engine must be put in idle immediately after starting. If not, the clutch can be damaged, ask authorized service center.

Starting the engine

1. Activate the chain brake (lock).
2. Hold the front handle firmly with left hand and press the chain saw against the ground.
3. Hold down the rear handguard with your right foot.
4. Start the engine in accordance with engine circumstances as follows.

Cold start

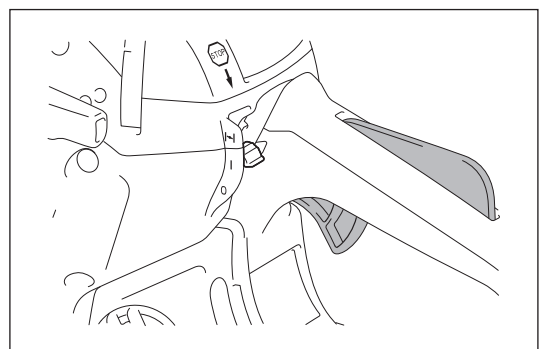
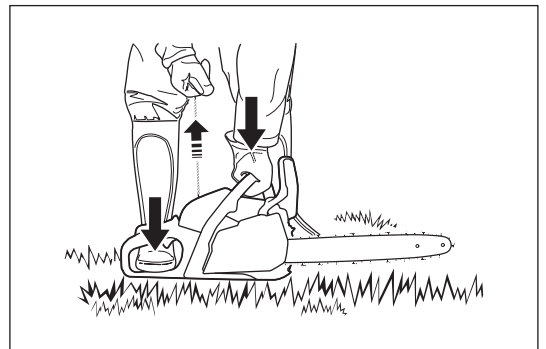
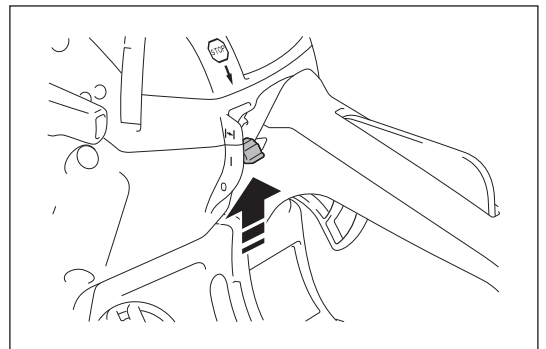
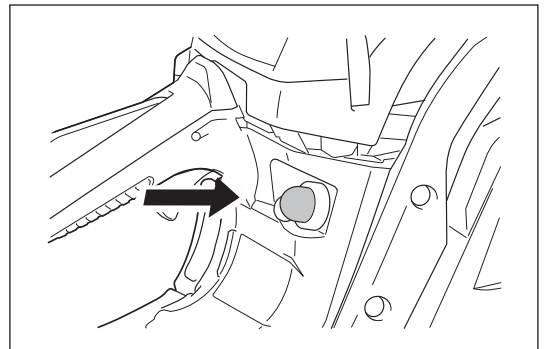
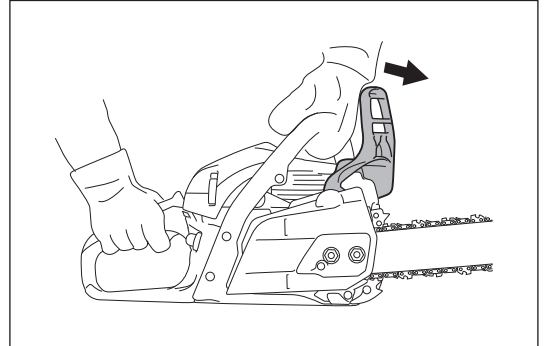
When the engine is not used just before starting, perform the following steps:

1. Push the primer pump several times until fuel comes into the primer pump. (In general, 7 to 10 pushes.)
2. Move up the combination switch (choke position). This also actuates the half-throttle lock.
3. Pull the starter grip slowly until feeling compression. Then pull it strongly. It may take two to four attempts until engine fires.
4. As soon as the engine fires, move the combination switch to the middle (I) position. Then pull the starter grip strongly again until the engine starts running.
5. Grasp the rear handle (the throttle trigger lock-out is released by the grasp) and pull the throttle trigger for a little, and release it.
6. Release the chain brake.

Warm start

When the engine is used just before starting and still warm, perform the following steps:

1. Push the primer pump several times until fuel comes into the primer pump. (In general, 7 to 10 pushes.)
2. Move up the combination switch (choke position), and then back to the middle (I) position.
3. Pull the starter grip slowly until feeling compression. Then pull it strongly. It may take two to four attempts until engine starts. If the engine does not start, perform the steps of cold start (see the section "Cold start").
As soon as the engine starts running, grasp the rear handle (the throttle trigger lock-out is released by the grasp) and pull the throttle trigger for a little then release it.
4. Release the chain brake.

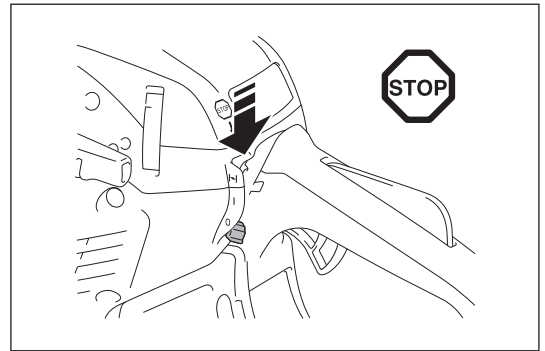


Stopping the engine

Release the throttle trigger, and then press down the combination switch to lower (O) position.

The combination switch reverts to (I) position automatically. The engine stops with this switch off, but is ready to start.

To cut off the ignition current, push the combination switch all the way down past the resistance point to lock it at (O) position.



Adjusting idle speed

⚠ WARNING:

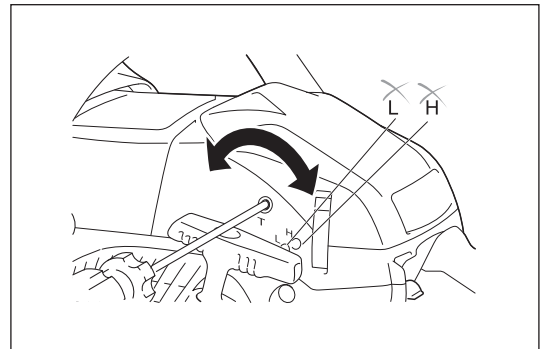
- Do not adjust idle speed before the chain saw is completely assembled and checked.
- If the saw chain still moves at idle speed even after adjustment, stop using the chain saw immediately, and bring it to Dolmar authorized service center for repair.

⚠ CAUTION:

- Do not adjust the screws (H) and (L) in the illustration.
- If the saw chain moves in idle without pulling throttle trigger, it is necessary to adjust the idle speed.

Adjust the idle speed as follows:

1. Start and warm up the engine for two or three minutes, but do not drive the engine at high speed.
2. To reduce the idle speed, turn the adjusting screw counterclockwise.
3. To increase the idle speed, turn the adjusting screw clockwise.
4. Make sure the saw chain does not move at idle speed.



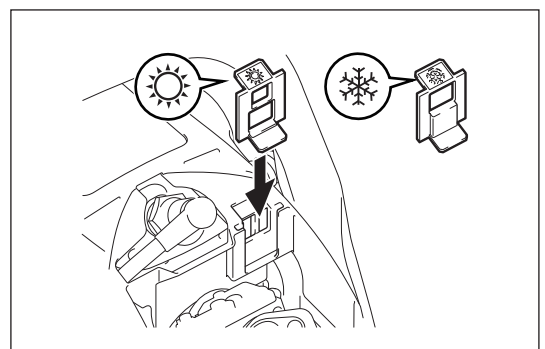
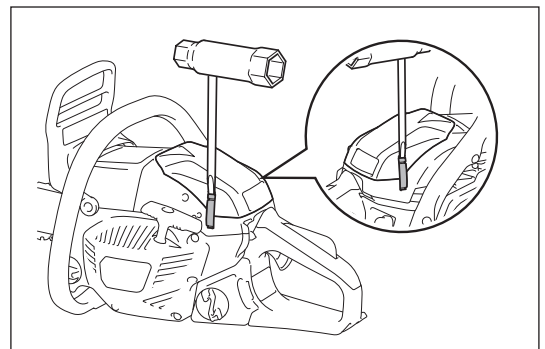
Prevention from carburetor icing

NOTICE:

- When environmental temperature is higher than 5°C, always return the shutter to normal (sun mark) setting. Otherwise the engine may be damaged by overheating.

When the environmental temperature is low (0°C - 5°C) and humidity is high, water vapor may freeze inside the carburetor and the engine drives unsteadily (carburetor icing). Change the setting of the shutter as follows if necessary.

1. Open the cleaner cover.
2. Pull out the shutter.
3. Set the shutter in anti-icing position (snow mark).
4. Return the cleaner cover.



MAINTENANCE

⚠ WARNING:

- Make sure that the chain saw is switched off the engine and pull the plug cap off the spark plug before performing maintenance or inspection.
- Wait until the engine cools down before performing any maintenance work.
- Always wear protective gloves.
- Start the chain saw only after having assembled and inspected it completely.
- Keep away from open flames and do not smoke.

⚠ CAUTION:

- To maintain product SAFETY and RELIABILITY, any repair, maintenance or adjustment work that is not included in this manual should be performed by Dolmar Authorized Service Centers. Always use Dolmar replacement parts.

Sharpening the saw chain

The chain needs sharpening when:

- Chips produced by cutting look like sawdust.
- The chain penetrates the wood only under great pressure.
- The cutting edge is visibly damaged.
- The saw is pulled to the left or right when sawing. This is caused by uneven sharpening of the chain.

NOTICE:

- Sharpen frequently, but without removing too much. Generally, two or three strokes of the file are enough.
- Have the chain resharpened at a service centre when you have already sharpened it yourself several times.

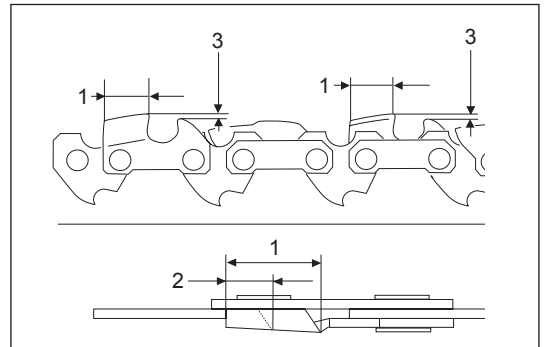
Proper sharpening

⚠ CAUTION:

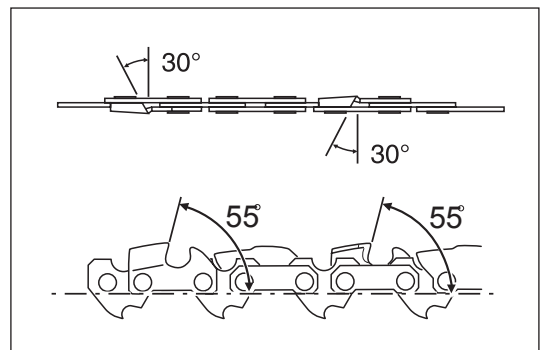
- Use only chains and guide bars designed for this saw.
- Excessive depth (3) increases the risk of kickback.

Sharpening criteria (for saw chain 492 (91PX))

- Maintain all cutter parts (1) on the saw chain the same length. Cutter parts with different lengths result in rough running of the chain and can cause cracks in the chain.
- The minimum cutter length (2): 4 mm. Do not sharpen the chain when the cutter part length becomes less than 4 mm. At this point, replace the saw chain.
- The depth of the cut (3) is determined by the difference in height between the depth gauge (round nose) and the cutting edge.
- The best results are obtained with 0.64 mm (.025") of the depth.

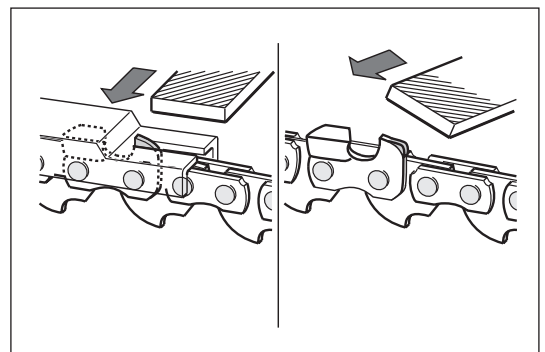
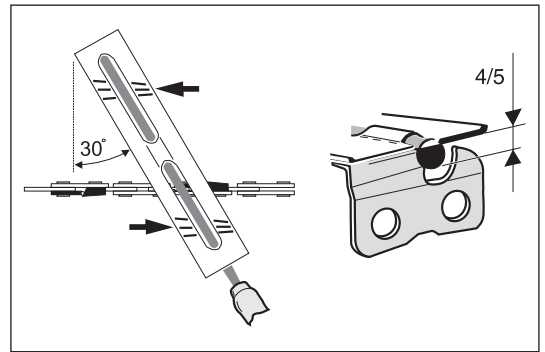
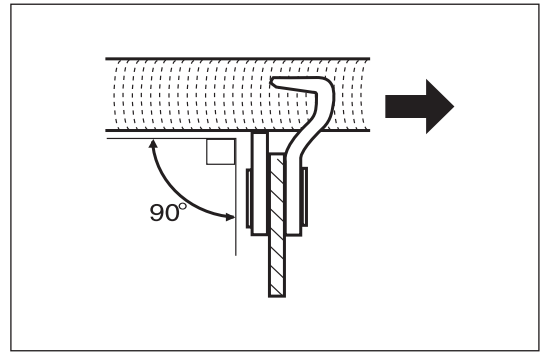


- Maintain the same sharpening angle of 30° for all the cutter parts.
- Use a proper round file so that proper sharpening angle of 55° is kept against the teeth.
- Sharpen the cutters with proper angle, otherwise it may cause rough and irregular chain running, and result in increasing wear and breakage of the saw chain.



Files and file guiding

- Use a special round file (optional accessory) for saw chains sharpening. Normal round files are not suitable.
- Use the round file of diameter 4.0 mm.
- The file should only engage the cutter part on the forward stroke. Lift the file off the cutter part on the return stroke.
- Sharpen the shortest cutter first. Then the length of this shortest cutter becomes the standard for all other cutters on the saw chain.
- Guide the file as shown in the figure.
- A file holder (optional accessory) makes file guidance easier. The file holder has markings for the correct sharpening angle of 30° . When using the file holder, align the markings parallel to the saw chain, and limit the filing depth to $4/5$ of the file diameter.
- After sharpening the chain, check the depth of the cut using the chain gauge tool (optional accessory).
- Remove the small excess with a special flat file (optional accessory).
- Round off the front of the depth gauge.



Cleaning the inside of the chain cover

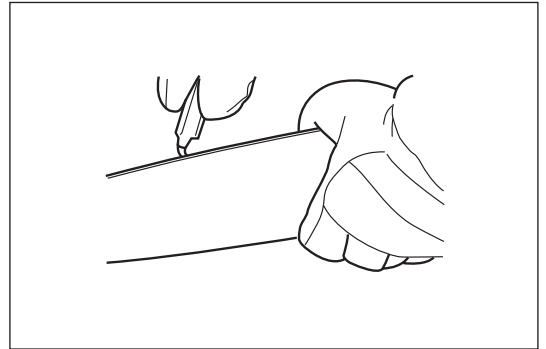
Remove the chain cover, the saw chain and guide bar.
Clean the inside of the chain cover with a brush.

NOTICE:

Make sure there are no residues or foreign matter remaining in the oil guide groove, chain tension pin, and brake band.

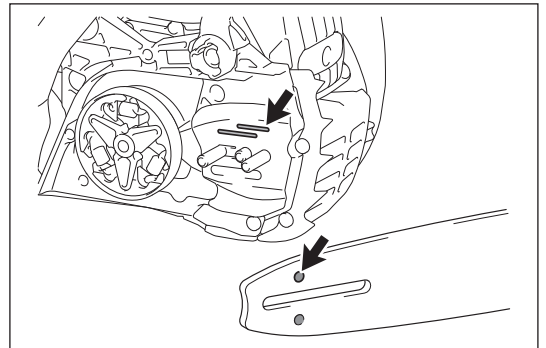
Cleaning the guide bar

Check the running surfaces of the bar regularly for damage. Clean it with using a suitable tool.



Cleaning the oil guide

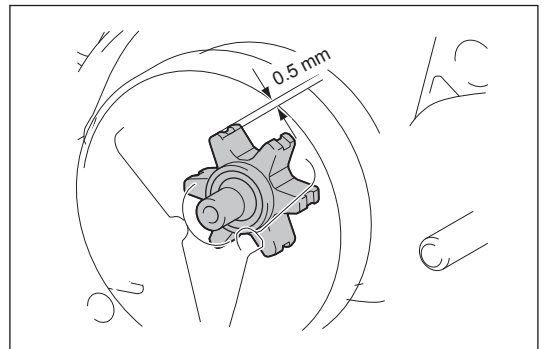
Clean the oil guide groove and oil feed hole in the bar at regular intervals.



Checking the sprocket

⚠ CAUTION:

A worn sprocket may damage a new saw chain. Do not use a new chain on a worn chain sprocket. Check the sprocket before installing a new saw chain. Ask Dolmar authorized service center for repair if there are any defect or if the sprocket is worn out more than 0.5 mm.



Cleaning the air cleaner

⚠ CAUTION:

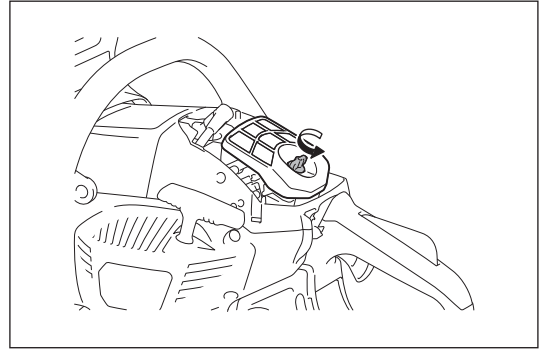
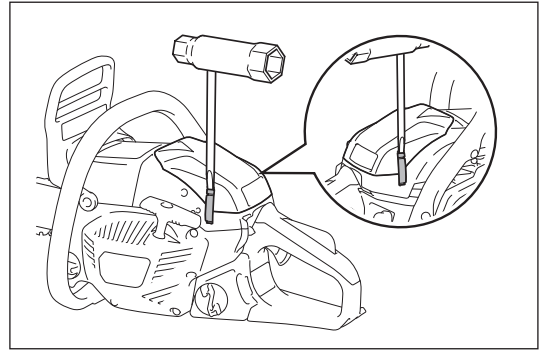
- Always wear eye protection.

To clean the air cleaner, perform following steps:

1. Move up the combination switch (choke position) to prevent dirt or foreign materials from falling into the carburetor.
2. Open two hooks with a flat screwdriver, and remove the cleaner cover.
3. Loosen the nut, and then remove the air cleaner.

NOTE:

- During cleaning, cover the opening with a clean cloth to prevent dirt or foreign materials from falling into the carburetor.
 - Replace the air cleaner immediately if it is damaged.
4. Tap it or clean it with a brush or air compressor to remove the dirt.
 5. If the air cleaner is very dirty, replace it to a new one.
 6. Return the air cleaner and cleaner cover by performing above steps in reverse.



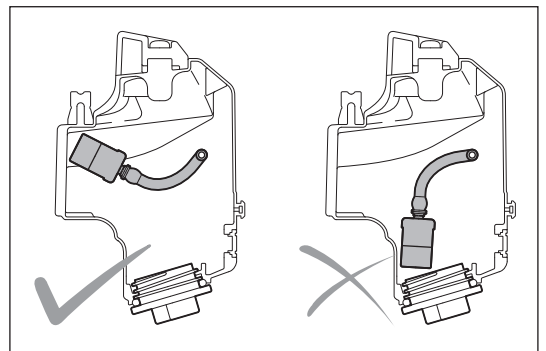
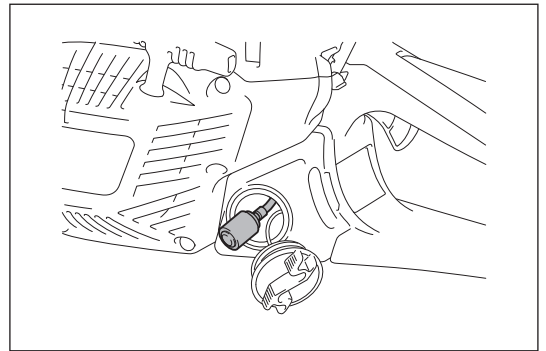
Cleaning the fuel filter

The fuel filter of the suction head is used to filter the fuel required by the carburetor. Perform visual inspection periodically.

1. Open the tank cap, use a wire hook and pull out the suction head through the tank opening.
2. If the filter is hard or clogged up, replace it.
3. After checking, cleaning or replacing, fix the fuel filter onto the fuel pipe with the hose clamp. Push the fuel filter in all the way to the bottom of the fuel tank.

NOTE:

- It is recommended to replace the fuel filter at least once every three month to ensure an enough fuel supply to the carburetor. Otherwise an insufficient fuel supply may cause the engine defects.

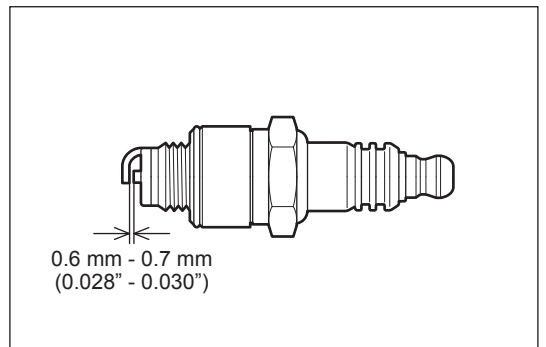


Checking the spark plug

⚠ CAUTION:

- Never touch the spark plug connector while the engine is running (danger of high voltage electric shock).

The gap between the two electrodes of the spark plug should be 0.6 mm - 0.7 mm (0.028" - 0.030"). If the gap is too wide or too narrow, adjust it. If the spark plug is clogged or contaminated, clean it thoroughly or replace it.



Cleaning the cylinder space

⚠ CAUTION:

- Always wear eye protection.

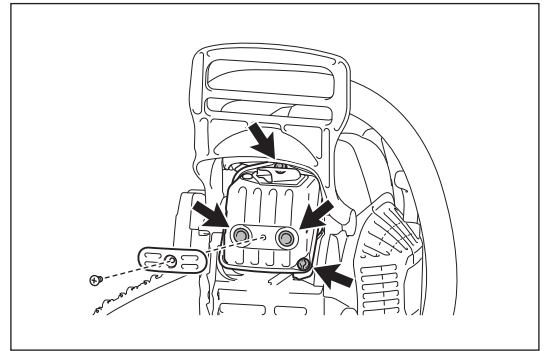
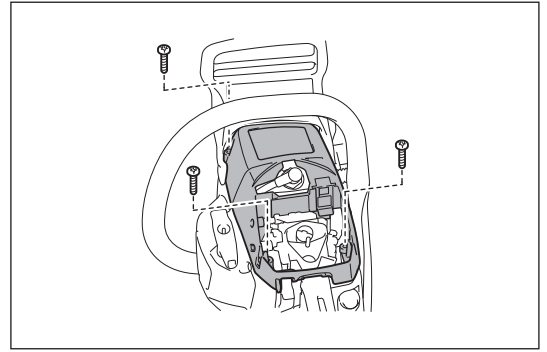
After long period of operation, dust may accumulate in cylinder space. It may cause overheating of the engine. Clean the cylinder space occasionally.

Perform cleaning as follows:

1. Open two hooks, and remove the cleaner cover.
2. Remove the air cleaner.

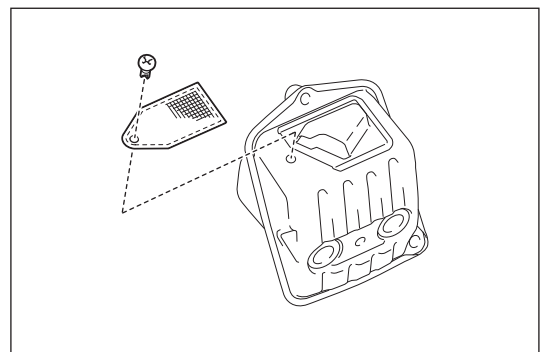
NOTE:

- During cleaning, cover the opening with a clean cloth to prevent dirt or foreign materials from falling into the carburetor.
3. Remove three screws and remove the cylinder cover. It is easier to remove the cylinder cover when the front hand guard is forward position.
 4. Clean the cylinder space and cylinder fins. Use a brush or air compressor if necessary.
 5. Return the cylinder cover, air cleaner, and cleaner cover after cleaning.



Checking the screws on the muffler

Remove the cylinder cover and dust cover, and check the tightness of four screws on the muffler. Tighten it if it is loose.



Checking the spark arrester

⚠ CAUTION:

- Do not start the engine if the spark arrester is damaged or missing. The spark arrester prevents hot carbon from flying out of exhaust pipe. Check the spark arrester regularly as following steps:

1. Remove the cylinder cover.
2. Remove the screw which secures the spark arrester. It is easier to remove the screw by pushing the front hand guard forwards. Then slide the spark arrester. Clean the spark arrester if necessary with a wire brush. If the spark arrester is damaged, replace it.

Cleaning of parts

Always keep the engine clean by wiping down with a cloth rag.

Inspection of bolts, nuts and screws

- Check bolts, nuts, etc. Tighten them if necessary.
- Check the fuel cap and oil cap for tightness. Check for fuel leakage.
- Replace damaged parts with new ones for safety operation.

Storing tool

⚠ CAUTION:

- The engine is still hot just after stopping engine. When draining the fuel, allow sufficient time for the engine to cool down after stopping it. Otherwise a skin burn and/or fire may result.
- When the machine is kept out of operation for a long time, drain all fuel from the fuel tank and carburetor, and keep it at a dry and clean place.

Biologically degradable saw chain oil can only be kept for a limited period. Beyond two years after manufacture, biological oils begin to acquire an adhesive quality, and cause damage to the oil pump and components in the lubricating system.

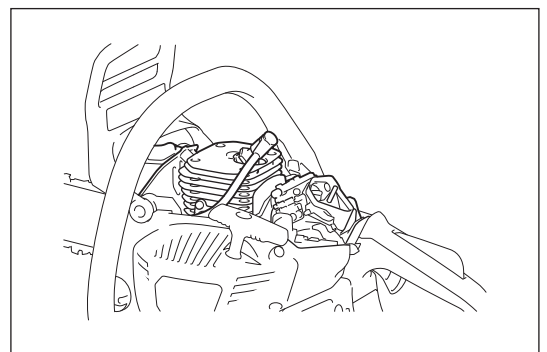
- Before taking the chain saw out of service for a longer period, empty the oil tank and fill it with a small quantity of engine oil (SAE 30).
- Run the chain saw briefly to flush all residue of the biological oil out of the tank, lubricating system and saw mechanism.

Store the chain saw on a suitable surface.

Before returning the chain saw to service, fill up with fresh bio-degradable saw chain oil.

NOTE:

- When the chain saw is taken out of service, small quantities of chain oil leaks from it for some time afterwards. This is normal, and is not a sign of a fault.



MAINTENANCE INTERVAL

For tool's long life, and to ensure the full functioning of the safety features, perform maintenance work regularly.

Operating time Item		Before operation	Everyday	Every week	Every 3 month	Annually	Before storage
Chain saw	Inspection.	○					
	Cleaning.		○				
	Check at authorized service center.					○	
Saw chain	Inspection. / Sharpening if necessary.	○					
Guide bar	Inspection.	○					
Chain brake	Check the function.	○					
	Have it inspected regularly at authorized service center.				○		
Starter rope	Inspection.	○					
Chain lubrication	Check the oil feed rate.	○					
Combination switch	Inspection.	○					
Throttle trigger lock-out	Inspection.	○					
Throttle trigger	Inspection.	○					
Fuel tank cap	Check tightness.	○					
Oil tank cap	Check tightness.	○					
Air cleaner	Cleaning.		○				
Idle speed	The saw chain does not move at idle speed.		○				
Cylinder space	Cleaning.			○			
Spark plug	Inspection. / Cleaning. / Replace if necessary.				○		
Spark arrester	Inspection. / Cleaning. / Replace if necessary.				○		
Muffler	Check tightness of screws.			○			
Chain catcher	Inspection.			○			
Screws and nuts	Inspection.			○			
Fuel filter	Inspection. / Replace if necessary.				○		
Fuel tank	Empty.						○
Carbretor	Run empty.						○

* Before emptying oil, check for a suitable way to dispose of old oil. Do not pour it down into sewage drains, onto garden soil or onto open streams. Your local zoning or environmental regulations will give you more detailed instructions on proper disposal.

TROUBLE SHOOTING

Before making a request for repairs, check for trouble by yourself. For repairs, contact authorized service centers.

Malfunction status	Possible cause	Remedy
Chain does not run.	Chain brake is engaged.	Release chain brake.
Engine does not start.	Spark plug malfunction.	Check the spark plug.
	Fuel tank is empty.	Fill the fuel tank.
	Fuel supply problem.	Check whether the fuel filter is not clogged.
	Tool malfunction.	Ask your local authorized service center for repair.
Insufficient performance.	Air cleaner is dirty.	Clean the air cleaner. Replace it if necessary.
	Cylinder space is dirty.	Clean cylinder space.
	Environment temperature is very low.	Change the shutter setting of the carburetor. See section "Prevention from carburetor icing".
No oil on the saw chain.	Oil tank is empty.	Fill the oil tank.
	Oil guide groove is dirty.	Clean the groove.
	Oil delivery is not adjusted properly.	Adjust amount of oil delivery.
	Oil pump malfunction.	Ask your local authorized service center for repair.
Chain does not stop even the chain brake is activated.	Brake band worn down.	Stop using the tool immediately, and ask your local authorized service center for repair.
The tool vibrates abnormally.	Loose guide bar or saw chain.	Adjust the guide bar and saw chain tension.
	Tool malfunction.	Stop using the tool immediately, and ask your local authorized service center for repair.
Chain does not stop when engine is idle.	Idle speed is too high.	Correct idle speed.
	Clutch defect.	Stop using the tool immediately, and ask your local authorized service center for repair.

Table des matières

Page

Symboles.....	27
Précautions de sécurité.....	28
Caractéristiques techniques.....	34
Nomenclature des pièces.....	35
Fonction de sécurité de la tronçonneuse à chaîne.....	36
Montage.....	38
Avant utilisation.....	41
Démarrage et arrêt du moteur.....	43
Entretien.....	45
Intervalle d'entretien.....	50
Dépannage.....	51

SYMBOLES

	Lire le mode d'emploi et suivre les avertissements et les précautions de sécurité !		Attention, choc en retour !
	Mises en garde particulières !		
	Interdit !		Frein de chaîne
	Porter un casque protecteur, des lunettes de protection et des protège-oreilles !		Tenir la tronçonneuse avec les deux mains pendant son fonctionnement ! Il est extrêmement dangereux d'utiliser la tronçonneuse avec une seule main !
	Porter des gants de sécurité !		Mélange d'huile et de carburant
	Ne pas fumer !		Remplissage d'huile de chaîne/pompe à huile
	Pas de flamme nue !		Vis de réglage du débit d'huile de la chaîne
	Arrêter le moteur !		Pompe d'amorçage
	Démarrer le moteur		Sens de la chaîne
	Bouton multi-positions, MARCHE/ARRÊT du régulateur de pression		Premiers secours

PRÉCAUTIONS DE SÉCURITÉ

Utilisation conforme aux prescriptions

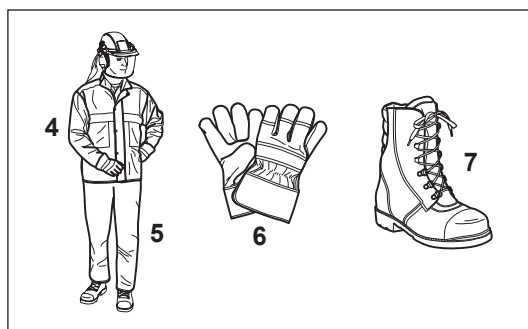
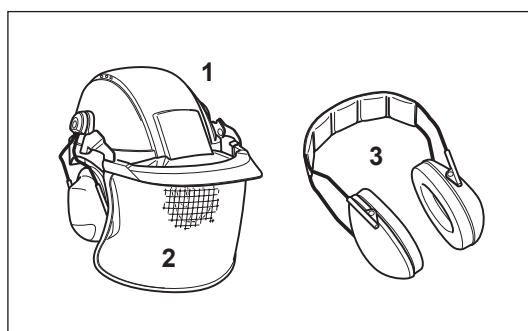
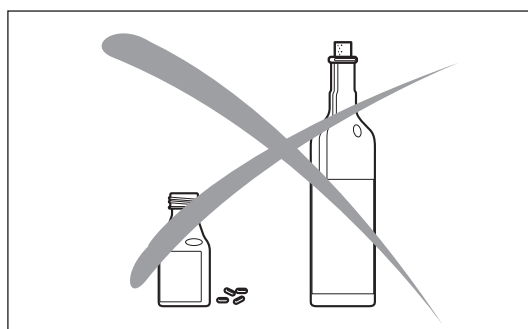
Cette tronçonneuse à chaîne doit être utilisée uniquement pour couper du bois en extérieur.

Précautions générales

- **Pour garantir un fonctionnement correct, vous devez absolument lire le présent mode d'emploi** afin de vous familiariser avec le fonctionnement de la tronçonneuse à chaîne. Sans ces informations, vous risquez de vous mettre en danger ou de blesser d'autres personnes en raison d'une utilisation incorrecte.
- Il est conseillé de ne prêter la tronçonneuse à chaîne qu'aux personnes ayant déjà utilisé une tronçonneuse à chaîne. Confiez-leur systématiquement le mode d'emploi.
- Si vous utilisez la tronçonneuse pour la première fois, contactez votre revendeur afin d'obtenir des instructions de base et vous familiariser avec le fonctionnement de l'appareil. Vous pouvez même participer à un cours de formation reconnu.
- Les enfants et les adolescents de moins de 18 ans ne sont pas autorisés à utiliser la tronçonneuse à chaîne. Toutefois, les personnes de plus de 16 ans peuvent l'utiliser à des fins de formation, dans la mesure où ils sont sous la supervision d'un formateur agréé.
- Utilisez la tronçonneuse à chaîne uniquement si vous êtes en bonne condition physique. Si vous êtes fatigué(e), votre attention sera réduite. Soyez particulièrement prudent(e) à la fin d'une journée de travail. Effectuez tout le travail avec calme et prudence. Vous êtes responsable par rapport aux autres personnes.
- Soyez vigilant, attentif à vos gestes, et faites preuve de bon sens lorsque vous utilisez une tronçonneuse à chaîne. Tout moment d'inattention pendant le fonctionnement comporte un risque de blessure grave.
- N'utilisez jamais la tronçonneuse à chaîne après avoir consommé de l'alcool, de la drogue ou des médicaments.
- Le silencieux peut contenir des produits chimiques cancérigènes. Évitez tout contact avec ces produits en cas de dommage du silencieux.
- Le système d'allumage du moteur émet des ondes électromagnétiques pendant son fonctionnement. Dans certaines circonstances, il peut perturber les appareils médicaux et provoquer de graves blessures chez les personnes porteuses d'un stimulateur cardiaque. Il est conseillé aux personnes porteuses d'un stimulateur cardiaque de consulter leur médecin et le fabricant de leur stimulateur cardiaque avant d'utiliser la tronçonneuse à chaîne.
- N'utilisez pas une tronçonneuse à chaîne qui semble avoir été modifiée.
- Un extincteur et une pelle doivent se trouver à proximité immédiate lorsque vous travaillez dans de la végétation facilement inflammable ou lorsqu'il n'a pas plu pendant une longue période (risque d'incendie).
- Les lois en vigueur peuvent restreindre l'utilisation de l'outil. Suivez les réglementations de votre pays en matière d'utilisation des tronçonneuses à chaînes.

Équipement de protection individuelle

- **Pour éviter de vous blesser à la tête, aux yeux, aux mains ou aux pieds et pour protéger votre ouïe, vous devez porter le matériel de protection suivant lors de l'utilisation de la tronçonneuse à chaîne.**
- Les vêtements doivent être pratiques, c'est-à-dire ajustés, sans être gênants. Ne portez pas de bijoux ou de vêtements qui pourraient s'emmêler dans les taillis ou les petits arbustes. Si vous avez les cheveux longs, portez toujours un filet à cheveux.
- Vous devez porter un casque de protection lors de l'utilisation de la tronçonneuse à chaîne. Contrôlez régulièrement le casque de protection (1) afin de vérifier qu'il n'est pas endommagé et remplacez-le tous les 5 ans au minimum. N'utilisez que des casques de protection agréés.
- L'écran facial (2) du casque de protection (qui peut également être remplacé par des lunettes de protection) constitue une protection contre la sciure et les éclats de bois. Pour éviter de vous blesser aux yeux, portez toujours un écran facial ou des lunettes de protection pendant le fonctionnement de la tronçonneuse à chaîne.
- Portez un équipement de protection antibruit adéquat (protège-oreilles (3), bouchons d'oreille etc.). Une exposition prolongée au bruit peut provoquer des problèmes d'audition définitifs.
- La veste de sécurité (4) comporte des bretelles avec des signaux de couleur spéciales et elle est confortable et facile à entretenir.
- La salopette de protection renforcée (5) est en nylon 22 couches et protège contre les coupures. Il est fortement recommandé de l'utiliser.
- Des gants de protection (6) en cuir épais font partie de l'équipement prescrit et doivent toujours être portés durant l'utilisation de la tronçonneuse à chaîne.
- Lors de l'utilisation de la tronçonneuse à chaîne, vous devez toujours porter des chaussures ou bottes de sécurité (7) dotées de semelles antidérapantes, d'un embout en acier et d'une protection pour les jambes. Les chaussures de sécurité équipées d'une couche de protection protègent contre les coupures et garantissent une bonne position d'équilibre.
- Au besoin, portez un masque de protection. Une exposition prolongée aux fumées d'échappement, au brouillard d'huile de chaîne et à la sciure peut nuire à votre santé.

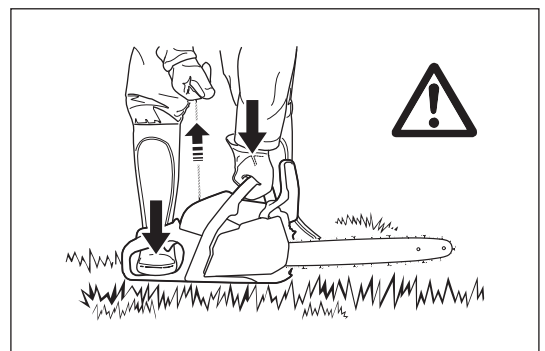
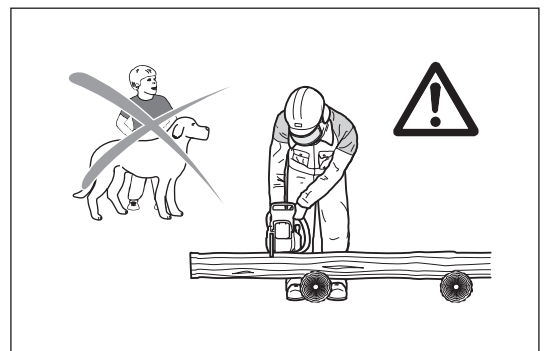
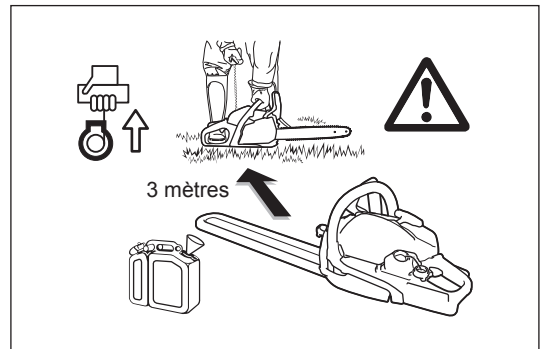


Carburant/Ravitaillement

- Coupez le moteur avant de procéder au ravitaillement de la tronçonneuse à chaîne.
- Ne fumez pas et ne travaillez pas à proximité de feux en plein air.
- Laissez le moteur refroidir avant de procéder au ravitaillement.
- Le carburant peut contenir des substances similaires aux solvants. Les yeux et la peau ne doivent pas entrer en contact avec les produits pétroliers. Portez toujours des gants de protection lors du ravitaillement en carburant. Nettoyez fréquemment vos vêtements de protection et changez-en souvent. Ne respirez pas les vapeurs de carburant. L'inhalation des vapeurs de carburant peut être dangereuse pour votre santé.
- Ne renversez pas de carburant ni d'huile de chaîne. Si vous avez renversé du carburant ou de l'huile, nettoyez immédiatement la tronçonneuse à chaîne. Le carburant ne doit pas entrer en contact avec les vêtements. Si vos vêtements sont entrés en contact avec du carburant, changez-en immédiatement.
- Assurez-vous que le carburant ou l'huile de chaîne ne coule pas sur le sol (protection de l'environnement). Utilisez une bâche appropriée.
- Il est interdit de procéder au ravitaillement dans une pièce fermée. Les vapeurs de carburant s'accumuleraient près du sol (risque d'explosion).
- Veillez à visser à fond le bouchon des réservoirs d'huile et de carburant.
- Changez de lieu avant de démarrer le moteur (à au moins 3 m du lieu de ravitaillement).
- Le carburant ne peut pas être conservé pendant une durée illimitée. N'en achetez que pour une consommation à court terme.
- Utilisez uniquement des récipients certifiés et marqués pour le transport et le stockage du carburant et de l'huile de chaîne. Assurez-vous que les enfants ne peuvent pas accéder au carburant et à l'huile de chaîne.

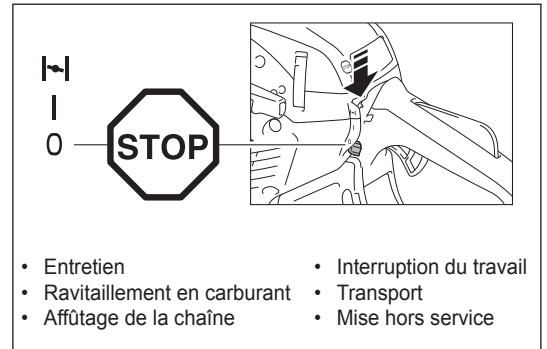
Mise en marche

- **Ne travaillez pas seul(e). Une autre personne doit se trouver à proximité en cas d'urgence** (à portée de voix).
- Assurez-vous qu'aucun enfant ou adulte ne se trouve dans la zone de travail. Soyez également prudent à l'égard des animaux présents dans la zone de travail.
- **Avant d'utiliser la tronçonneuse à chaîne, vérifiez qu'elle fonctionne parfaitement et en toute sécurité, conformément aux recommandations. N'utilisez jamais une tronçonneuse à chaîne défectueuse.** Vérifiez en particulier le fonctionnement du frein de chaîne, le montage du guide-chaîne, la tension et l'affûtage de la chaîne, le montage du garde-chaîne, le fonctionnement de la gâchette et du verrou de la gâchette, la propreté et l'absence d'humidité au niveau des poignées, ainsi que le fonctionnement du bouton multi-positions.
- Si vous laissez tomber la tronçonneuse à chaîne ou si elle subit d'autres chocs, cessez immédiatement de l'utiliser et examinez-la afin d'identifier tout dommage ou défaut important.
- Mettez la tronçonneuse à chaîne en marche seulement après l'avoir montée complètement. N'utilisez jamais la tronçonneuse à chaîne si elle n'est pas complètement montée.
- Vérifiez votre équipement de protection individuelle.
- Ne démarrez la tronçonneuse à chaîne que conformément à la description indiquée dans le présent mode d'emploi. Il est interdit de démarrer l'appareil d'une autre façon.
- Avant de démarrer la tronçonneuse à chaîne, veillez à avoir une bonne position d'équilibre.
- Au démarrage, la tronçonneuse à chaîne doit être bien soutenue et solidement maintenue. Le guide-chaîne et la chaîne ne doivent entrer en contact avec aucun objet.
- Vérifiez que l'huile de chaîne atteint suffisamment la chaîne.



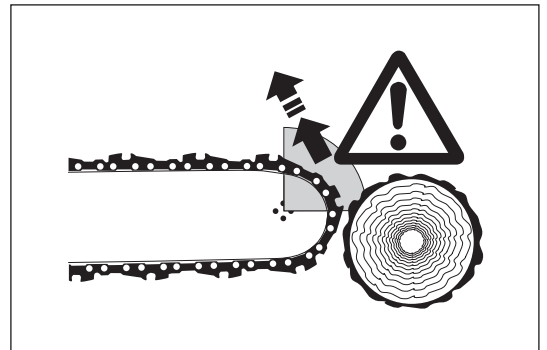
Fonctionnement

- Lorsque vous travaillez avec la tronçonneuse à chaîne, tenez-la toujours à l'aide des deux mains. La main droite doit tenir la poignée arrière, la main gauche la poignée avant. Empoignez fermement les poignées en plaçant vos pouces face aux index.
- **⚠ ATTENTION : Après avoir relâché la gâchette, la chaîne continue de tourner un instant avant de s'arrêter totalement (roue libre).**
- Vérifiez constamment que vous êtes en position stable.
- Tenez la tronçonneuse à chaîne comme si vous n'alliez pas respirer les gaz d'échappement. Ne travaillez pas dans des pièces fermées (risque d'intoxication).
- **Éteignez immédiatement la tronçonneuse à chaîne si vous observez un changement de son comportement lors du fonctionnement.**
- **Vous devez éteindre le moteur avant de vérifier la tension ou le serrage de la chaîne ou bien avant de la remplacer ou de la réparer.**
- Lorsque le dispositif de tronçonnage entre en contact avec des pierres, des clous ou d'autres objets durs, éteignez immédiatement le moteur et vérifiez le dispositif de tronçonnage.
- Lorsque vous cessez de travailler ou quittez le lieu de travail, éteignez la tronçonneuse à chaîne et posez-la afin de ne mettre personne en danger.
- **⚠ ATTENTION : Ne placez pas la tronçonneuse à chaîne chaude dans de l'herbe sèche ou sur des objets inflammables. Le silencieux est très chaud (risque d'incendie).**
- **ATTENTION :** L'écoulement d'huile de la chaîne ou du guide-chaîne après l'arrêt de la chaîne pollue le sol. Utilisez toujours une bâche appropriée.



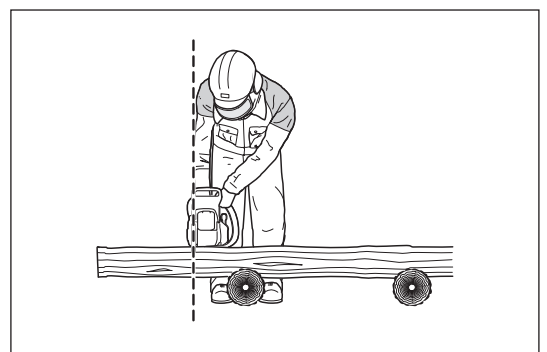
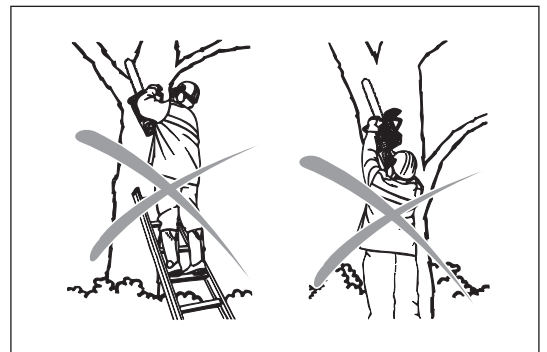
Choc en retour

- Lors de l'utilisation de la tronçonneuse à chaîne, des chocs en retour dangereux peuvent se produire.
- Un choc en retour se produit lorsque la partie supérieure de l'extrémité du guide-chaîne touche accidentellement du bois ou d'autres objets durs.
- Cela entraîne la projection avec force de la tronçonneuse vers l'utilisateur sans qu'elle puisse être contrôlée. **Risque de blessure !**
- **Pour éviter les chocs en retour, prenez les précautions suivantes :**
 - Seules les personnes spécialement formées doivent réaliser les coupes en plongées, qui consistent à perforer le bois avec le bout de la tronçonneuse !
 - N'appliquez jamais la pointe du guide au début du processus de coupe.
 - Observez toujours la pointe du guide-chaîne. Soyez prudent lorsque vous poursuivez une coupe déjà commencée.
 - Mettez la chaîne en marche avant de commencer à tronçonner.
 - Assurez-vous que la chaîne est toujours correctement affûtée. Soyez particulièrement vigilant quant à la hauteur du limiteur de profondeur.
 - Ne coupez jamais plusieurs branches simultanément. Lorsque vous coupez une branche, veillez à ne toucher aucune autre branche.
 - Lorsque vous coupez un tronc de manière transversale, veillez à ne pas couper les autres troncs qui se trouvent à proximité.



Comportement et technique de travail

- Utilisez uniquement la tronçonneuse à chaîne lorsque les conditions de visibilité de d'éclairage sont favorables. Méfiez-vous des zones glissantes ou humides ainsi que de la glace et de la neige (risque de glissade). Le risque de glissade est extrêmement élevé lorsque vous travaillez sur du bois fraîchement écorcé.
- Ne travaillez jamais sur des surfaces instables. Vérifiez que la zone de travail ne comporte aucun obstacle, au risque de trébucher. Veillez à toujours avoir une bonne position d'équilibre.
- Ne tronçonnez jamais à une hauteur supérieure aux épaules.
- Ne montez jamais sur une échelle pour procéder au tronçonnage.
- Ne grimpez jamais dans les arbres pour les couper à l'aide de la tronçonneuse à chaîne.
- Ne vous penchez pas trop lorsque vous tronçonnez.
- Guidez la tronçonneuse à chaîne de sorte qu'aucune partie de votre corps ne se trouve dans le prolongement de la tronçonneuse.
- Utilisez la tronçonneuse à chaîne uniquement pour couper du bois.
- Évitez de toucher le sol avec la tronçonneuse à chaîne lorsqu'elle tourne.
- N'utilisez jamais la tronçonneuse à chaîne pour soulever ou retirer des morceaux de bois ou d'autres objets.
- Retirez les corps étrangers, tels que le sable, les pierres et les clous découverts dans la zone de travail. Les corps étrangers peuvent endommager le dispositif de coupe et provoquer de dangereux chocs en retour.
- Utilisez un support stable pour tronçonner du bois prédécoupé (chevalet de scieur). Ne stabilisez pas la pièce à travailler avec votre pied, et ne laissez personne la tenir ou la stabiliser.
- Sécurisez les pièces rondes pour éviter qu'elles tournent.

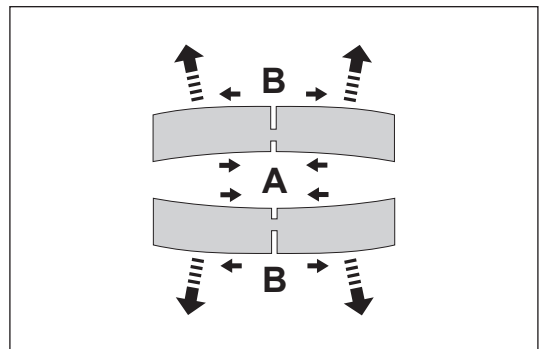
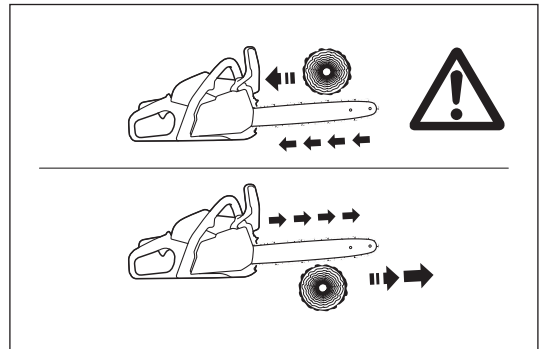
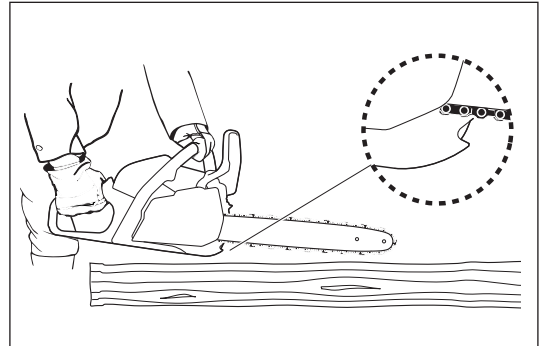
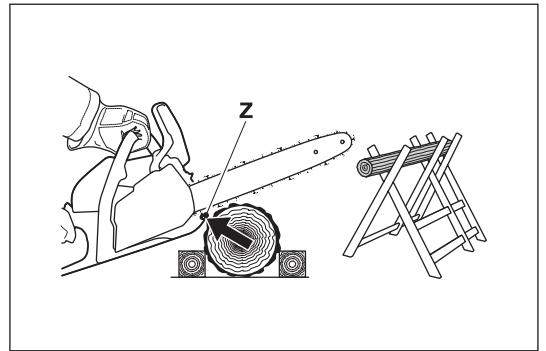


- Pour abattre les arbres ou effectuer des coupes transversales, vous devez appliquer le butoir à crampon (Z) sur le bois à couper.
- Avant de procéder à une coupe transversale, appliquez fermement le butoir à crampon sur le bois à couper, puis coupez le bois lorsque la chaîne tourne. Vous devez alors relever la tronçonneuse à chaîne au niveau de la poignée arrière et la guider avec la poignée avant. Le butoir à crampon sert de centre de rotation. Continuez en exerçant une légère pression sur la poignée avant tout en retirant la tronçonneuse à chaîne. Ensuite, placez le butoir à crampon un peu plus profondément et relevez à nouveau la poignée arrière.
- Si le bois doit être perforé pour la coupe ou coupé de manière longitudinale, il est fortement conseillé de demander uniquement à des personnes spécialement formées de réaliser ce travail (risque élevé de choc en retour).
- Effectuez les coupes- longitudinales - selon l'angle le plus faible possible. Soyez très prudent lorsque vous réalisez ce type de coupe, car le butoir à crampon ne peut pas agripper.
- La scie doit tourner lorsque vous retirez la tronçonneuse à chaîne du bois.
- Lorsque vous effectuez plusieurs coupes, vous devez relâcher la gâchette entre chaque coupe.
- Soyez prudent lorsque vous tronçonnez du bois éclatable. Des morceaux de bois tronçonnés peuvent être projetés (risque de blessures).
- Lors du tronçonnage avec le bord supérieur du guide-chaîne, si la chaîne est coincée, la tronçonneuse à chaîne peut être poussée en direction de l'utilisateur. Il est donc conseillé d'utiliser le bord inférieur du guide-chaîne le plus souvent possible. La tronçonneuse à chaîne est alors éloignée de vous.
- Si le bois est sous tension, commencez par couper le côté sous pression (A). Passez ensuite au tronçonnage transversal côté soumis à la tension (B). Il est donc possible d'éviter que le guide-chaîne se coince.

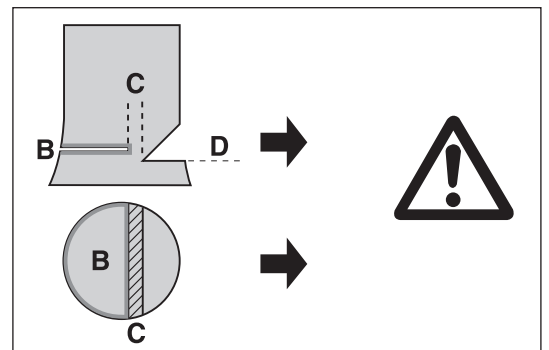
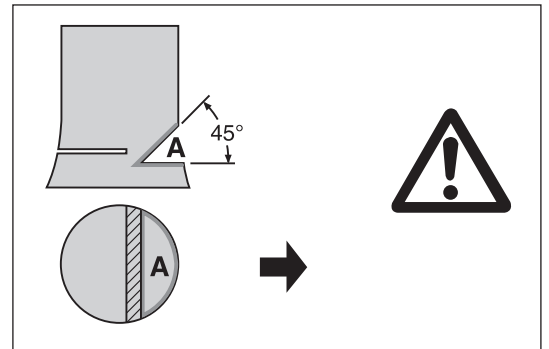
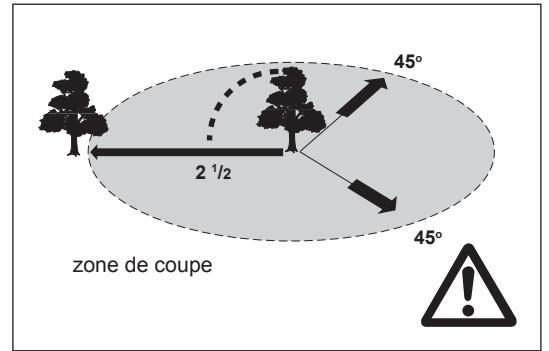
⚠ ATTENTION :

Les personnes qui abattent les arbres ou coupent les branches doivent être spécialement formées. Risque élevé de blessures !

- Lors de la coupe de branches, la tronçonneuse à chaîne doit être soutenue sur le tronc. N'utilisez pas l'extrémité du guide-chaîne pour effectuer la coupe (risque de choc en retour).
- Méfiez-vous des branches sous tension. Ne coupez pas les branches libres par le dessous.
- N'effectuez aucun travail d'émondage en vous tenant debout sur le tronc.

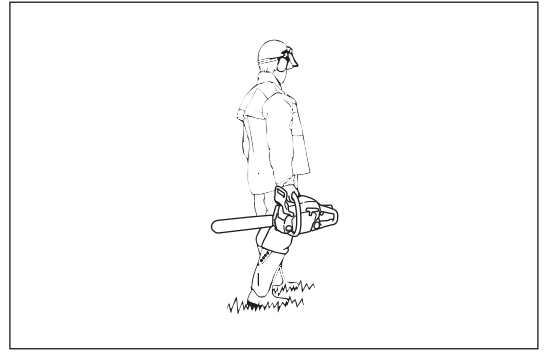


- **Avant d'abattre un arbre, assurez-vous que :**
 - a) seules les personnes chargées d'abattre l'arbre se trouvent dans la zone d'abattage,
 - b) chaque personne impliquée dans ce travail peut sortir de la zone sans trébucher (en reculant en diagonale, selon un angle de 45°).
 - c) la partie inférieure du tronc ne présente aucun corps étranger, broussaille ou branche. Veillez à conserver une bonne position d'équilibre (risque de trébuchement).
 - d) le poste de travail suivant se trouve à 2,5 longueurs d'arbre au moins. Avant d'abattre l'arbre, vérifiez la direction dans laquelle l'arbre tombera et assurez-vous qu'aucune autre personne et aucun objet ne se trouve à une distance de 2,5 longueurs d'arbre.
- **Évaluation de l'arbre :** direction des branches pendantes : y a-t-il des branches sèches ou mobiles ? Quelle est la hauteur de l'arbre ? Existe-il un surplomb naturel ? L'arbre est-il pourri ?
- Tenez compte de la direction et de la vitesse du vent. En cas de fortes rafales, n'effectuez aucun abattage.
- **Tronçonnage des racines :** commencez par la racine la plus grande. Effectuez le premier tronçonnage verticalement et le second horizontalement.
- **Entaille du tronc :** l'entaille (A) détermine le sens de la chute et guide l'arbre. Elle est réalisée perpendiculairement au sens de la chute et sa profondeur doit être comprise entre 1/3 et 1/5 de la valeur du diamètre de l'arbre. Effectuez l'entaille près du sol.
- Si vous devez corriger l'entaille, modifiez-la sur toute sa largeur.
- **Coupez** l'arbre au dessus du bord inférieur de l'entaille (D). La coupe doit être parfaitement horizontale (B). La distance entre les deux coupes (C) doit correspondre à 1/10ème environ du diamètre du tronc.
- La **partie située entre les deux coupes** sert de charnière. Ne la coupez pas entièrement, au risque de ne pouvoir contrôler la chute de l'arbre. Insérez les coins d'abattage au bon moment.
- Sécurisez la coupe uniquement à l'aide de coins d'abattage en plastique ou en aluminium. N'utilisez pas de coins en fer. Si la tronçonneuse heurte un coin en fer, la chaîne risque d'être très endommagée ou usée.
- Lors de l'abattage d'un arbre, tenez-vous toujours de chaque côté de celui-ci.
- Après avoir procédé à l'abattage, méfiez-vous des chutes de branches tandis que vous vous éloignez de l'arbre en reculant.
- En cas de sol incliné, l'utilisateur de la tronçonneuse à chaîne doit se tenir au-dessus ou à côté du tronc à couper ou déjà coupé.
- Méfiez-vous des troncs susceptibles de rouler vers vous.



Transport et rangement

- Avant de changer d'emplacement pendant le tronçonnage, éteignez la tronçonneuse à chaîne et actionnez le frein de chaîne afin d'éviter tout démarrage involontaire de la chaîne.
- Ne déplacez ni ne transportez jamais la tronçonneuse à chaîne alors que la chaîne tourne. Lorsque la tronçonneuse est chaude, ne la couvrez pas (avec une bâche, une couverture, un journal ou autre objet similaire). Laissez la tronçonneuse refroidir avant de la placer dans un étui de rangement ou un véhicule. Les tronçonneuses équipées d'un convertisseur catalytique mettent plus de temps à refroidir !
- Utilisez le carter de protection de la chaîne lors du transport et du stockage.
- Tenez la tronçonneuse à chaîne par la poignée avant pour la transporter. Le guide-chaîne est orienté vers l'arrière. Évitez d'entrer en contact avec le silencieux (risque de brûlures).
- Pour éviter toute fuite de carburant, dommage ou blessure, assurez-vous que la tronçonneuse à chaîne est bien fixée lors des transports en voiture.
- Entrez la tronçonneuse à chaîne dans un endroit sec Elle ne doit pas être rangée en extérieur. Conservez la tronçonneuse à chaîne hors de portée des enfants.
- Avant de stocker la tronçonneuse à chaîne pendant une période prolongée ou de la transporter, videz complètement les réservoirs d'huile et de carburant.
- Procédez au nettoyage et à l'entretien de la tronçonneuse avant de l'entreposer.



Entretien

- Avant de procéder aux travaux d'entretien, éteignez la tronçonneuse à chaîne et retirez le capuchon du bouchon.
- Avant de commencer à utiliser la tronçonneuse à chaîne, vérifiez toujours le bon fonctionnement de ses dispositifs de sécurité, en particulier du frein de chaîne. Vérifiez que la chaîne est constamment affûtée et tendue conformément aux instructions.
- Ne faites fonctionner la tronçonneuse à chaîne qu'à un faible niveau de bruit et d'émission. Pour ce faire, assurez-vous que le carburateur est bien réglé.
- Nettoyez régulièrement la tronçonneuse à chaîne.
- Vérifiez régulièrement l'étanchéité du bouchon du réservoir.
- Respectez les consignes de prévention des accidents publiées par les associations professionnelles et les compagnies d'assurance.
- Ne modifiez en aucun cas la tronçonneuse à chaîne. Vous mettriez votre sécurité en danger.
- Effectuez uniquement les travaux d'entretien et de réparation décrits dans le mode d'emploi. Tout autre travail doit être effectué par le personnel du service après-vente Dolmar.
- Utilisez uniquement des pièces de rechange et accessoires Dolmar d'origine.
- L'utilisation de pièces de rechange autres que des pièces ou accessoires Dolmar d'origine et de combinaisons guide-chaîne/chaîne ou de longueurs non approuvées comporte un risque élevé d'accidents. Nous n'assumons aucune responsabilité en cas d'accidents et de dommages résultant de l'utilisation de dispositifs ou d'accessoires de tronçonnage non certifiés conformes.

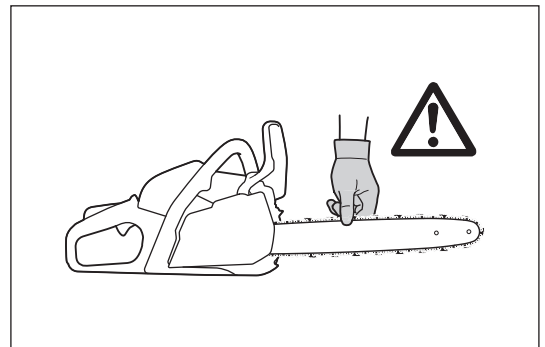


Vibrations

Les personnes souffrant de troubles circulatoires peuvent subir des blessures au niveau des vaisseaux sanguins ou du système nerveux si elles sont exposées à des vibrations excessives.

Les vibrations peuvent entraîner les symptômes suivants aux doigts, mains ou poignets : engourdissement, picotements, douleur, sensation lancinante, changement de couleur de la peau ou altération de la peau.

Si l'un ou l'autre de ces symptômes apparaît, consultez un médecin ! Pour réduire le risque de vibrations et de doigt blanc, gardez vos mains au chaud, portez des gants et assurez-vous que la chaîne est affûtée.



Premiers secours

En cas d'accident, assurez-vous qu'une trousse de premiers secours se trouve à proximité des opérations de coupe. Remplacez immédiatement tout article pris dans la trousse de premiers secours.

Lorsque vous demandez de l'aide, veuillez fournir les renseignements suivants :

- Lieu de l'accident
- Ce qui s'est passé
- Nombre de personnes blessées
- Types de blessures
- Votre nom



Pour les pays d'Europe uniquement

Déclaration de conformité CE

La Déclaration de conformité CE figure en Annexe A du présent mode d'emploi.

CARACTÉRISTIQUES TECHNIQUES

Modèle		PS-352	PS-352 TLC
Longueur totale (sans guide-chaîne)	mm	388	
Poids net	kg	4,2	
Volume systolique	cm ³	35,2	
Alésage	mm	38	
Course	mm	31	
Puissance max. à grande vitesse	kW/min ⁻¹	1,7/10 000	
Couple max. à grande vitesse	Nm/min ⁻¹	2,0/7 000	
Vitesse au ralenti/vitesse max. du moteur avec le guide-chaîne et la chaîne	min ⁻¹	2 900/13 500	
Vitesse d'engagement de l'embrayage	min ⁻¹	4 100	
Carburateur	Type	Diaphragme	
Bougie d'allumage	Type	NGK BPMR 8Y	
Distance entre les électrodes	mm	0,7	
Capacité du réservoir de carburant	cm ³	310	
Capacité du réservoir d'huile de chaîne	cm ³	260	
Proportion du mélange (carburant/huile deux temps) Huile Dolmar d'origine ou catégorie de qualité JASO FC (ISO EGC) ou supérieure		50:1	
Frein de chaîne		S'enclenche manuellement ou en cas de choc en retour.	
Vitesse de la chaîne	m/s	25,3	
Pas du pignon	mm (pouces)	0,95 (3/8)	
Nombre de dents	Z	6	
Niveau de pression sonore sur le lieu de travail L _{PA, eq} conformément à la norme ISO 22868 ¹⁾		dB (A)	99
		K _{PA}	2,5
Niveau de puissance sonore L _{WA, FI + Ra} conformément à la norme ISO 22868 ²⁾		dB (A)	111
		K _{WA}	2,5
Accélération des vibrations a _{hw, eq} conformément à la norme ISO22867 ¹⁾	poignée avant	m/s ²	3,3
		K	2,0
	poignée arrière	m/s ²	3,4
		K	2,0

1) Ces données prennent en compte les états de service (ralenti, pleine charge et puissance max.) à part égale.

2) Ces données prennent en compte les états de service (pleine charge et puissance max.) à part égale.

- Étant donné l'évolution constante de notre programme de recherche et de développement, les spécifications contenues dans ce manuel sont sujettes à des modifications sans préavis.
- Les spécifications peuvent varier suivant les pays.

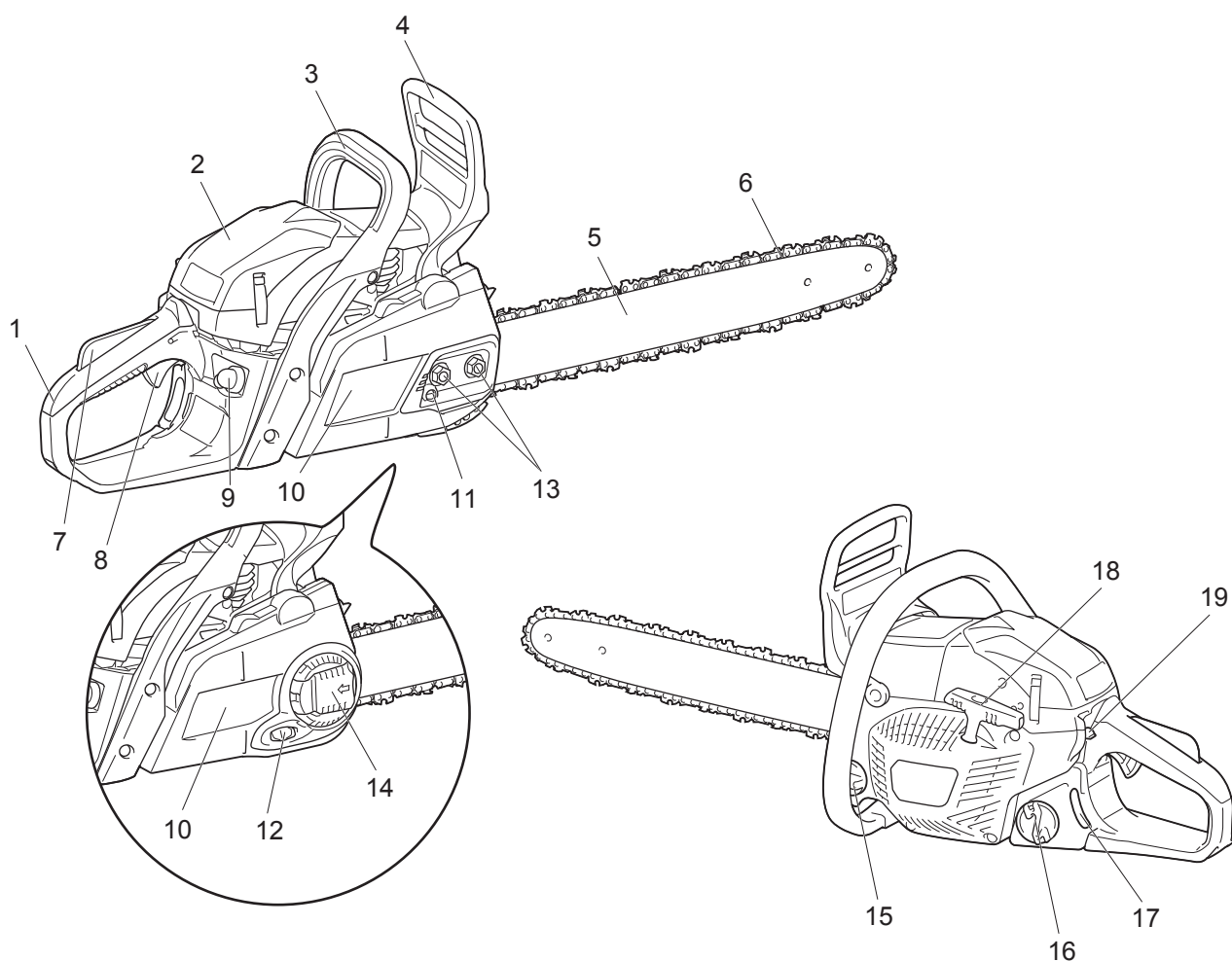
Guide-chaîne et chaîne

Type de guide-chaîne		Guide-chaîne à pignon de renvoi	
Longueur		350 mm	400 mm
Longueur de coupe		325 mm	360 mm
Chaîne	Type	492 (91PX)	
Hauteur		3/8"	
Jauge		1,3 mm (0,05")	
Nombre de maillons d'entraînement		52	56

⚠ AVERTISSEMENT :

Utilisez la bonne combinaison de guide-chaîne et de chaîne. Dans le cas contraire, vous risquez de vous blesser.

NOMENCLATURE DES PIÈCES



Nomenclature des pièces	
1	Poignée arrière
2	Couvercle du filtre à air
3	Poignée avant
4	Carter de protection de la poignée avant
5	Guide-chaîne
6	Chaîne
7	Verrou de sécurité de la gâchette
8	Gâchette
9	Pompe à carburant (amorçage)
10	Garde-chaîne
11	Vis de réglage de la chaîne
12	Cadran de réglage de la chaîne
13	Écrous de serrage
14	Levier
15	Bouchon du réservoir d'huile
16	Bouchon du réservoir de carburant
17	Jauge du niveau de carburant
18	Poignée du démarreur
19	Bouton multi-positions

FONCTION DE SÉCURITÉ DE LA TRONÇONNEUSE À CHAÎNE

⚠ AVERTISSEMENT :

- L'utilisation des fonctions de sécurité NE garantit PAS une protection totale contre les blessures. **Seules une utilisation et une technique appropriées peuvent réduire le risque de choc en retour et d'autres accidents dangereux.**
- Vérifiez toujours les fonctions de sécurité avant d'utiliser l'outil.
- Si l'une des fonctions de sécurité est inopérante, éteignez immédiatement le moteur et N'utilisez PAS la tronçonneuse à chaîne. Contactez un centre de service agréé Dolmar.

Frein de chaîne

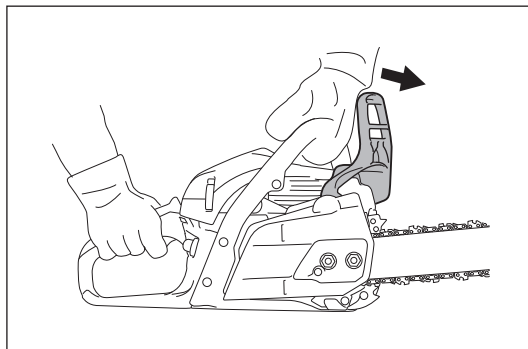
Le frein de chaîne est destiné à immobiliser la chaîne en une fraction de seconde. Elle est activée lorsque le rebond est suffisamment puissant.

Pour serrer manuellement le frein de chaîne, poussez le carter de protection de la poignée avant vers l'avant (vers l'avant de l'extrémité de la tronçonneuse) avec votre main gauche.

Pour desserrer le frein de chaîne, tirez le carter de protection de la poignée avant vers l'arrière (vers vous).

NOTE :

- N'accélérez pas lorsque le frein de chaîne est actionné (sauf à des fins de test).
- Desserrez toujours le frein de chaîne avant de commencer à utiliser l'outil.



Vérification du frein de chaîne

1. Faites tourner le moteur au ralenti.
2. Tenez la tronçonneuse à chaîne avec les deux mains. Saisissez la poignée arrière avec votre main droite et la poignée avant avec votre main gauche. Veillez à ce que le guide-chaîne et la chaîne n'entrent en contact avec aucun objet.
3. Appuyez sur le carter de protection de la poignée avant avec le dos de votre main, jusqu'à ce que le frein de chaîne s'enclenche.
4. Accélérez jusqu'à ce que le moteur fonctionne à plein régime pendant moins de 3 secondes. Assurez-vous que la chaîne ne bouge pas du tout.
5. Faites à nouveau tourner le moteur au ralenti et relâchez le frein de chaîne.

Vérification de la bande de frein

La bande de frein se trouve à l'arrière du garde-chaîne. Le frein de chaîne s'use au fil du temps. Faites-le vérifier et entretenir dans un centre de service agréé Dolmar au moins tous les 3 mois.

Verrou de sécurité de la gâchette

Le verrou de sécurité de la gâchette est destiné à éviter tout démarrage accidentel. Vous pouvez appuyer sur la gâchette uniquement lorsque le verrou de sécurité de la gâchette est enfoncé (c'est-à-dire lorsque vous agrippez la poignée).

Vérification du verrou de sécurité de la gâchette

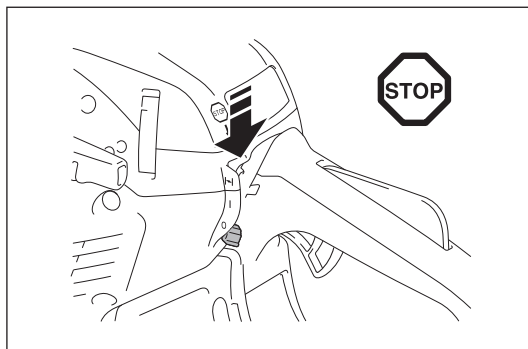
Vérifiez que le verrou de sécurité de la gâchette revient en position d'origine lorsque vous retirez votre main de la poignée arrière.

Arrêt du moteur

Assurez-vous que le moteur s'arrête lorsque vous le souhaitez.

Vérification de l'arrêt du moteur

Démarrez le moteur. Ensuite, relâchez la gâchette et enfoncez le bouton multi-positions en position inférieure (O).

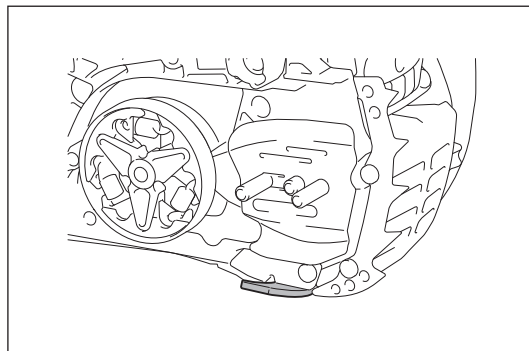


Attrape-chaîne

L'attrape-chaîne est destiné à attraper la chaîne au cas où celle-ci saute du guide-chaîne. La chaîne ne doit pas sauter si elle est correctement tendue. Vérifiez et réglez toujours la tension de la chaîne conformément au présent mode d'emploi.

Vérification de l'attrape-chaîne

Vérifiez que l'attrape-chaîne n'est pas endommagé et qu'il repose correctement sur le châssis.



MONTAGE

⚠ AVERTISSEMENT :

- Avant d'intervenir d'une quelconque manière sur le guide-chaîne ou la chaîne, coupez toujours le moteur et assurez-vous que l'outil de coupe est à l'arrêt.
- Portez toujours des gants de protection.

⚠ ATTENTION :

- Démarrez la tronçonneuse à chaîne uniquement après l'avoir montée entièrement et l'avoir vérifiée.

Installation du guide-chaîne et de la chaîne

NOTE :

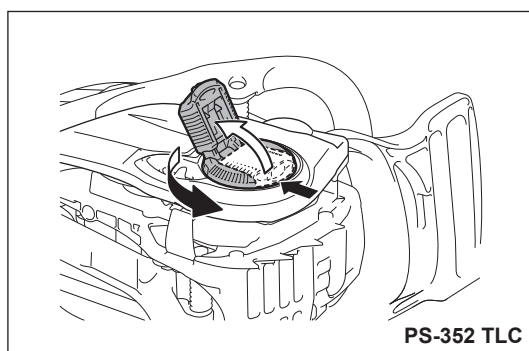
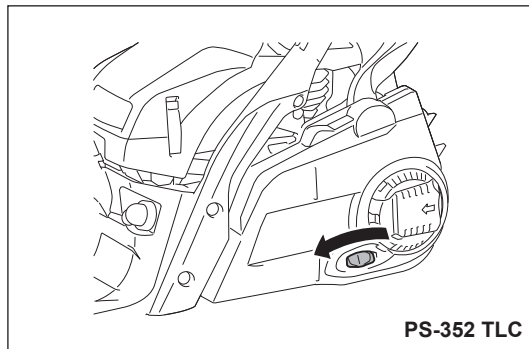
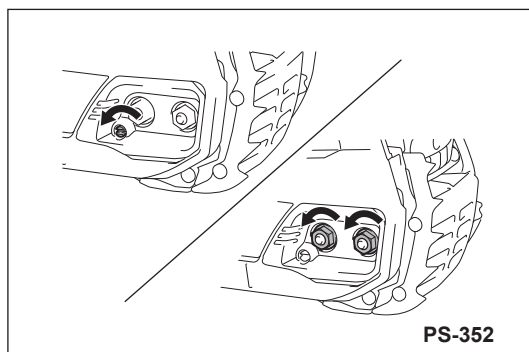
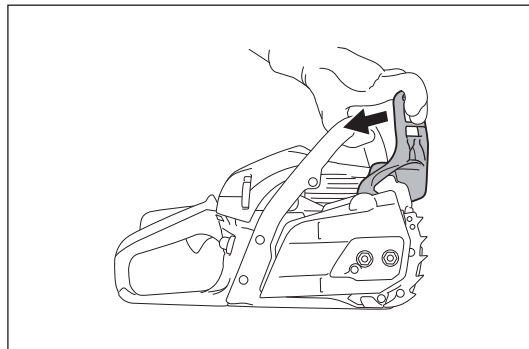
- La chaîne doit être installée et retirée dans un endroit propre, exempt de poussières ou autres corps étrangers.

Placez la tronçonneuse à chaîne sur une surface stable et effectuez les étapes suivantes :

1. Desserrez le frein de chaîne en appuyant sur le carter de protection de la poignée avant.
2. Détendez complètement la chaîne.
3. (Pour le modèle PS-352) Dévissez les écrous de serrage.
(Pour le modèle PS-352 TLC) Appuyez sur le levier et ouvrez-le entièrement jusqu'à ce qu'il s'arrête. Tournez le levier dans le sens inverse des aiguilles d'une montre.
4. Retirez le garde-chaîne.

NOTE :

- Vous ne pouvez pas retirer le garde-chaîne si le frein de chaîne n'est pas desserré.



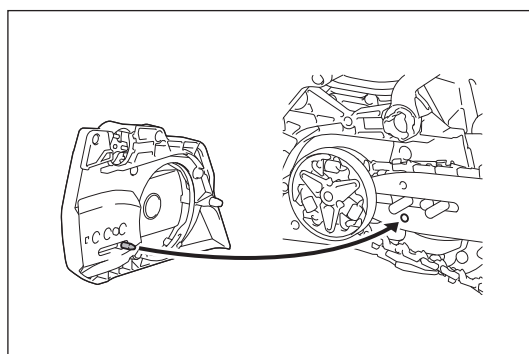
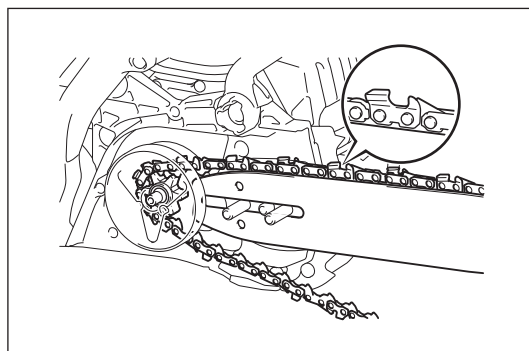
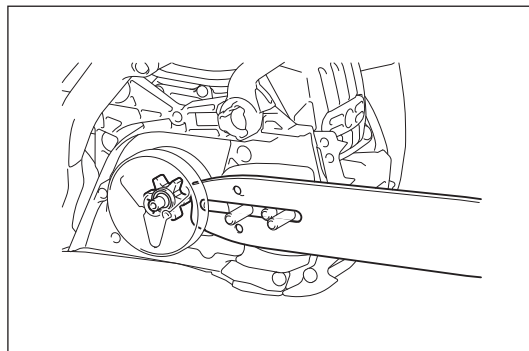
5. Placez le guide-chaîne sur les boulons du guide.
6. Vérifiez le sens de la chaîne. Les flèches sur la chaîne doivent pointer dans la même direction que la flèche sur le châssis de la tronçonneuse.
7. Installez d'abord la chaîne au niveau du pignon, puis sur l'extrémité du guide-chaîne.
8. Placez le garde-chaîne alors que la broche de réglage s'adapte sur l'orifice du guide-chaîne.

NOTE :

- Soulevez la chaîne sur l'attrape-chaîne.
9. (Pour le modèle PS-352) Serrez les écrous de serrage pour fixer le garde-chaîne, puis desserrez-les un peu pour régler la tension.
(Pour le modèle PS-352 TLC) Tournez le levier dans le sens des aiguilles d'une montre pour fixer le garde-chaîne, puis desserrez-les un peu pour régler la tension.
 10. Réglez la tension de la chaîne. (Voir la section « Réglage de la tension de la chaîne », étape 3 et suivantes.)

REMARQUE :

- Pour user uniformément le guide-chaîne, retournez-le lorsque vous remplacez la chaîne.



Réglage de la tension de la chaîne

⚠ ATTENTION :

- Une chaîne trop détendue peut sauter du guide-chaîne, ce qui présente un risque d'accident. Si la chaîne est trop détendue, réglez-la.
- Une tension excessive de la chaîne risque de causer son bris, d'user le guide-chaîne et de casser la vis/le cadran de réglage.

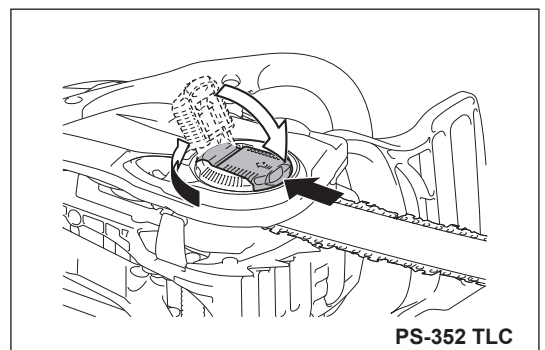
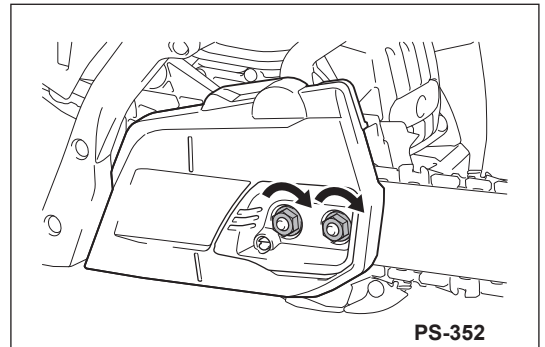
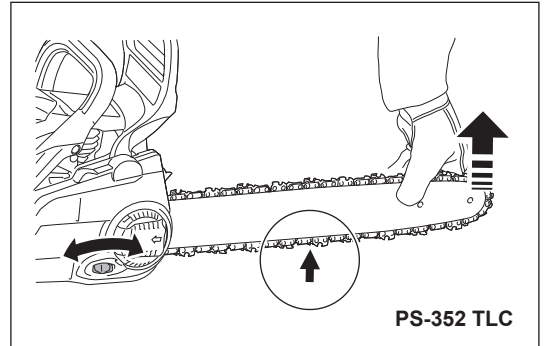
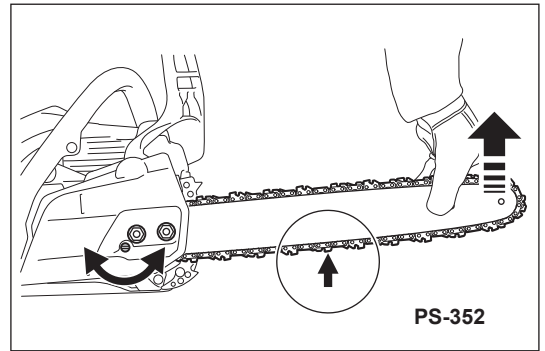
Il se peut que la chaîne se desserre après plusieurs heures d'utilisation. Si vous remplacez la chaîne ou après plusieurs heures de fonctionnement, vérifiez la tension de la chaîne avant de l'utiliser. Une chaîne correctement réglée permet d'optimiser les performances et de prolonger la durée de vie de l'outil.

La tension de la chaîne est correcte si la chaîne repose contre le côté inférieur du guide-chaîne et si vous pouvez toujours la tourner à la main.

Vérifiez fréquemment la tension de la chaîne, les chaînes neuves ayant tendance à s'allonger.

Pour régler la tension de la chaîne, procédez comme suit :

1. Desserrez le frein de chaîne en appuyant sur le carter de protection de la poignée avant.
2. (Pour le modèle PS-352) Dévissez légèrement les écrous de serrage pour desserrer le garde-chaîne.
(Pour le modèle PS-352 TLC) Appuyez sur le levier et ouvrez-le entièrement jusqu'à ce qu'il s'arrête. Tournez légèrement le levier dans le sens inverse des aiguilles d'une montre pour desserrer le garde-chaîne.
3. Soulevez légèrement l'extrémité du guide-chaîne et maintenez-le dans cette position.
4. (Pour le modèle PS-352) Tournez la vis de réglage de la chaîne pour régler la tension de celle-ci.
(Pour le modèle PS-352 TLC) Tournez le cadran de réglage de la chaîne pour régler la tension de celle-ci.
5. Réglez la tension de la chaîne jusqu'à ce que le côté inférieur de la chaîne s'insère dans le rail du guide-chaîne (voir le cercle sur la figure). Pendant le réglage de la tension de la chaîne, continuez à soulever l'extrémité du guide-chaîne.
6. Continuez à tenir légèrement le guide-chaîne et serrez le garde-chaîne après avoir réglé la tension de la chaîne.
(Pour le modèle PS-352) Serrez les écrous de serrage pour sécuriser le garde-chaîne.
(Pour le modèle PS-352 TLC) Tournez à fond le levier dans le sens des aiguilles d'une montre pour sécuriser le garde-chaîne. Ensuite, appuyez sur le levier et fermez-le.
7. Assurez-vous que la chaîne ne se détend pas sur le côté inférieur et qu'elle s'adapte bien contre le côté inférieur du guide-chaîne.



AVANT UTILISATION

⚠ AVERTISSEMENT :

- ÉVITEZ TOUT CONTACT AVEC LA PEAU ET LES YEUX. Les produits à base d'huile minérale dégraissent la peau. Le contact répété de la peau avec ces substances pendant une période prolongée peut assécher votre peau. Cela peut provoquer de nombreuses maladies de peau. Des réactions allergiques peuvent également se produire. Le contact de l'huile avec les yeux peut irriter ces derniers. Si de l'huile pénètre dans vos yeux, lavez-les immédiatement à l'eau claire. Si vos yeux sont toujours irrités, consultez immédiatement un docteur.

Carburant

⚠ ATTENTION :

- Soyez particulièrement prudent lorsque vous manipulez l'essence.
- Ne fumez pas. Tenez l'outil éloigné des flammes nues, des étincelles ou des feux (risque d'explosion).

Mélange de carburant

Cet outil est alimenté par un moteur deux temps refroidi par air hautes performances. Pour fonctionner, il utilise un mélange de carburant et d'huile pour moteur deux-temps.

Le moteur fonctionne avec de l'essence ordinaire sans plomb d'un indice d'octane minimum de 91 RON (89 AKI) et ne contenant pas plus de 10 % d'éthanol. Si ce type de carburant n'est pas disponible, vous pouvez utiliser du carburant dont l'indice d'octane est plus important. Cela n'endommagera pas le moteur.

Pour obtenir des performances optimales du moteur et protéger votre santé ainsi que l'environnement, utilisez uniquement du carburant sans plomb.

Pour lubrifier le moteur, utilisez de l'huile synthétique pour moteur deux temps refroidi par air (huile Dolmar d'origine ou catégorie de qualité JASO FC (ISO EGC) ou supérieure). Mélangez l'huile moteur au carburant.

⚠ ATTENTION :

- N'utilisez pas de carburant déjà mélangé commercialisé dans les stations service. Proportion correcte du mélange : 50:1, c'est-à-dire 50 parts d'essence pour 1 part d'huile.

REMARQUE :

- Pour préparer le mélange huile-carburant, mélangez d'abord toute la quantité d'huile avec la moitié du carburant requise, puis ajoutez le reste du carburant. Secouez bien le mélange avant de le verser dans le réservoir de la tronçonneuse à chaîne.

N'ajoutez pas plus d'huile moteur que spécifié. Une proportion incorrecte d'huile dans le mélange augmente le caractère polluant des résidus de combustion. Cela obstrue également le canal d'échappement dans le cylindre et le silencieux et entraîne de mauvaises performances ainsi qu'une consommation excessive de carburant.

Stockage du carburant

La durée de stockage des carburants est limitée. Les mélanges de carburant vieillissent lors de leur évaporation, en particulier à hautes températures. Le carburant et les mélanges de carburant qui ont vieilli peuvent provoquer des problèmes au démarrage et endommager le moteur. Achetez uniquement la quantité de carburant que vous prévoyez de consommer dans les mois suivants. À hautes températures, une fois le carburant mélangé, il doit être utilisé dans les 6 à 8 semaines.

Conservez le carburant uniquement dans des conteneurs adaptés, situés dans des lieux secs, frais et sécurisés.

Huile de chaîne

Utilisez l'huile avec des adjuvants adhésifs pour lubrifier la chaîne et le guide-chaîne. L'adjuvant adhésif empêche la projection d'huile trop rapide depuis la chaîne.

Il est conseillé d'utiliser de l'huile de chaîne Dolmar d'origine ou de l'huile de chaîne biodégradable afin de protéger l'environnement. L'utilisation d'huile biodégradable peut même être imposée par les réglementations locales.

L'huile biodégradable ne se conserve que pendant une durée limitée. Utilisez-la dans un délai de 2 ans à compter de la date de fabrication (imprimée sur l'emballage).

Remarque importante sur les huiles de chaîne biodégradables

Si vous prévoyez de ne pas utiliser la tronçonneuse pendant une période prolongée, videz le réservoir d'huile et versez-y une petite quantité d'huile moteur normale (SAE 30), puis faites fonctionner la tronçonneuse quelques instants. Cette procédure permet de rincer tous les restes d'huile biodégradable du réservoir d'huile, du système de conduite d'huile, de la chaîne et du guide-chaîne. En effet, de nombreuses huiles de ce type ont tendance à laisser des résidus collants au fil du temps, ce qui peut endommager la pompe à huile ou d'autres pièces.

N'UTILISEZ JAMAIS D'HUILE USAGÉE

L'huile usagée est très dangereuse pour l'environnement.

L'huile usagée contient d'importantes quantités de substances cancérigènes.

Les résidus présents dans l'huile usagée entraînent une usure extrême et des éraflures de la pompe à huile et du dispositif de coupe.

La garantie ne couvre pas les dommages provoqués par l'utilisation d'huile usagée ou d'huile de chaîne inappropriée.

Ravitaillement en carburant et remplissage de l'huile de chaîne

⚠ AVERTISSEMENT :

- RESPECTEZ LES PRÉCAUTIONS DE SÉCURITÉ. soyez vigilant et prudent lors de la manipulation du carburant.
- Coupez le moteur.

⚠ ATTENTION :

- Après avoir procédé au ravitaillement, nettoyez le bouchon du réservoir et la zone autour du réservoir.

Procédez au ravitaillement en carburant ou au remplissage de l'huile de chaîne comme suit :

1. Nettoyez parfaitement la zone autour des bouchons pour éviter que la saleté pénètre à l'intérieur du réservoir d'huile ou de carburant.
2. Dévissez le bouchon et remplissez chaque réservoir de carburant (mélange carburant/huile) et d'huile de chaîne respectivement.
3. Remplissez jusqu'au bord inférieur du goulot de remplissage. Veillez à ne pas renverser de carburant ou d'huile de chaîne !
4. Serrez à fond le bouchon des réservoirs à la main.

Lubrification de la chaîne

⚠ AVERTISSEMENT :

- Examinez le réservoir d'huile de chaîne uniquement lorsque le moteur est éteint. Assurez-vous que le réservoir d'huile de chaîne contient suffisamment d'huile de chaîne afin de lubrifier correctement la chaîne pendant le fonctionnement. Avec un débit d'huile moyen, la capacité du réservoir d'huile est quasiment égale au temps de fonctionnement d'un réservoir de carburant. Avant d'utiliser l'outil ou de procéder au ravitaillement en carburant, vérifiez le niveau de l'huile de chaîne et procédez au remplissage au besoin.

Réglage de la lubrification de la chaîne

⚠ AVERTISSEMENT :

- Coupez le moteur.
- Vous pouvez régler le débit de la pompe à huile à l'aide de la vis de réglage. Le débit de la pompe à huile comporte trois réglages : élevé, moyen et faible. La vis de réglage se trouve dans la partie inférieure de la tronçonneuse à chaîne. À l'aide d'un tournevis, réglez le débit d'huile de façon appropriée.

Nettoyage de l'alimentation en huile

Pour garantir le bon fonctionnement de la pompe à huile, nettoyez régulièrement la rainure d'alimentation en huile dans le châssis et l'orifice d'alimentation en huile dans le guide-chaîne.

Vérification de la lubrification de la chaîne

⚠ ATTENTION :

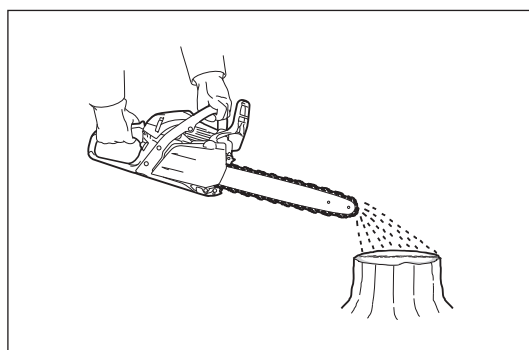
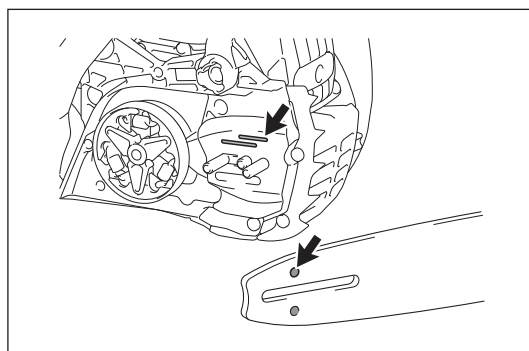
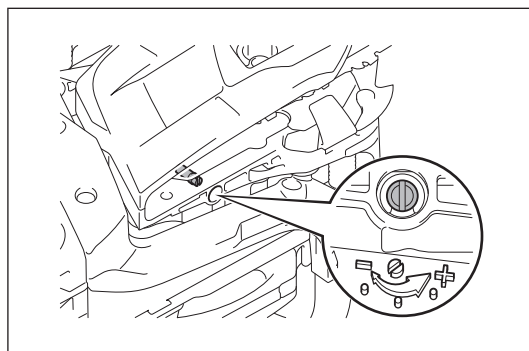
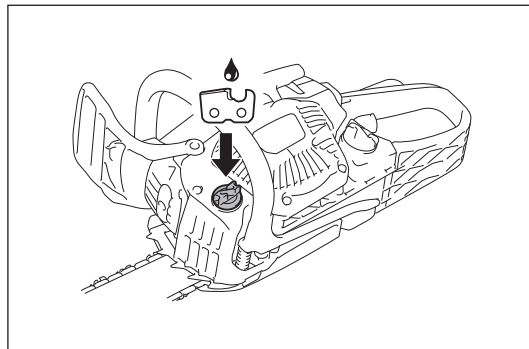
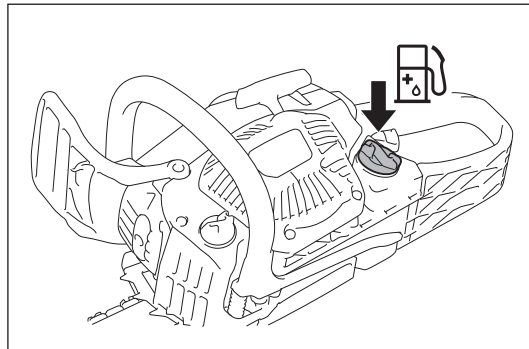
- N'utilisez jamais la tronçonneuse à chaîne si la chaîne n'est pas suffisamment lubrifiée. Dans le cas contraire, la durée de service de la chaîne et du guide-chaîne sera réduite.
- Avant de commencer le travail, vérifiez le niveau d'huile dans le réservoir, ainsi que l'alimentation en huile.
- Soyez attentif au sens dans lequel souffle le vent et évitez toute exposition inutile aux pulvérisations d'huile.

Pour vérifier le débit d'huile, procédez comme suit :

1. Démarrez la tronçonneuse à chaîne.
2. Tenez la tronçonneuse à chaîne allumée environ 15 cm au-dessus d'un tronc ou du sol (utilisez une base adaptée).
3. Si la lubrification est suffisante, vous pouvez voir une légère trace d'huile car l'huile diffusée depuis la chaîne.

REMARQUE :

- Après avoir éteint la tronçonneuse à chaîne, il est normal que de l'huile de chaîne résiduelle goutte quelques instants du système de conduite d'huile, du guide-chaîne et de la chaîne. Cela ne révèle pas un dysfonctionnement. Placez la tronçonneuse sur une surface plane.



DÉMARRAGE ET ARRÊT DU MOTEUR

⚠ AVERTISSEMENT :

- Ne démarrez pas le moteur avant d'avoir complètement monté et vérifié la tronçonneuse à chaîne.

⚠ ATTENTION :

- Éloignez-vous d'au moins 3 mètres du lieu de ravitaillement de la tronçonneuse à chaîne.
- Veillez à avoir une bonne position d'équilibre et placez la tronçonneuse sur le sol.
- Veillez à ce que le guide-chaîne et la chaîne ne touchent aucun objet.
- N'oubliez pas de serrer le frein de chaîne avant de démarrer le moteur.

NOTE :

- Ne tirez jamais entièrement la corde.
- Remettez doucement la poignée du démarreur dans le châssis. Si vous relâchez rapidement la poignée du démarreur, elle risque de heurter votre corps ou ne pas se rebobiner correctement.
- Le moteur doit être placé au ralenti immédiatement après le démarrage. Dans le cas contraire, l'embrayage risque d'être endommagé, contactez votre centre de service agréé.

Démarrage du moteur

1. Serrez le frein de chaîne (verrou).
2. Tenez fermement la poignée avant avec la main gauche et poussez la tronçonneuse à chaîne contre le sol.
3. Tenez le carter de poignée arrière avec votre pied droit.
4. Démarrez le moteur selon l'état du moteur, à savoir :

Démarrage à froid

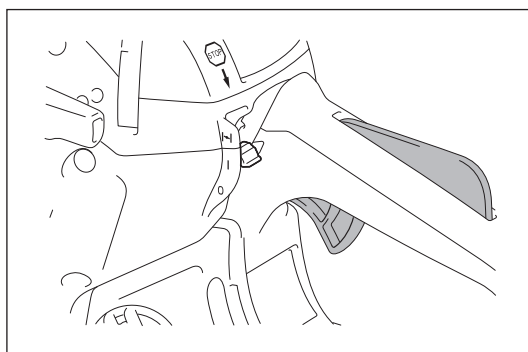
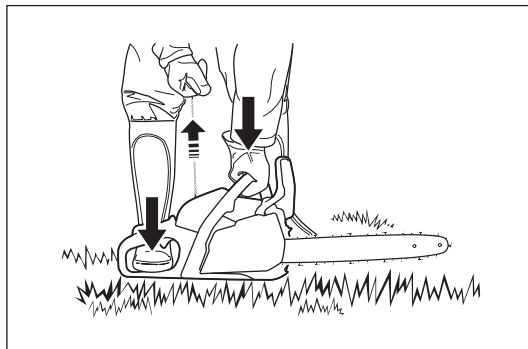
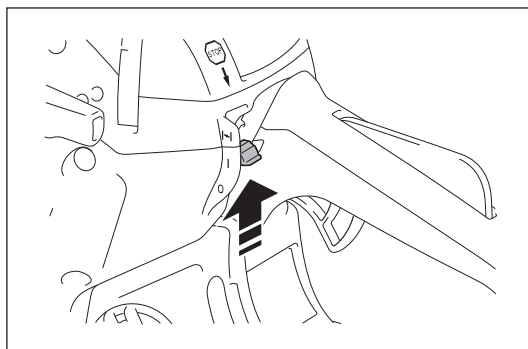
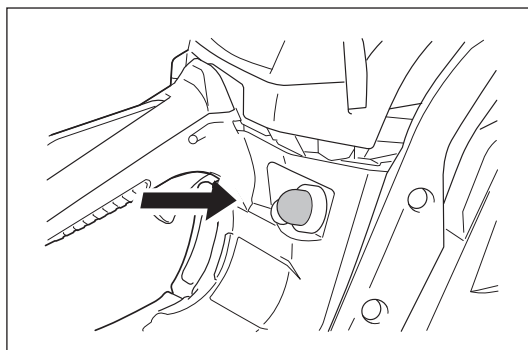
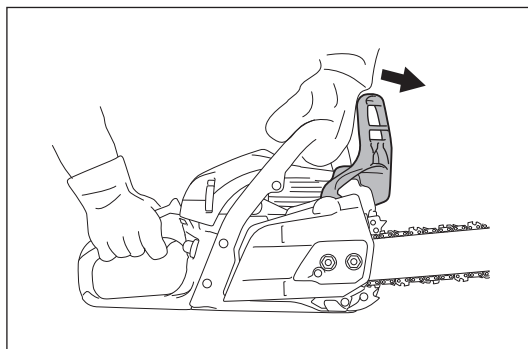
Lorsque le moteur n'est pas utilisé juste avant le démarrage, exécutez les étapes suivantes :

1. Appuyez plusieurs fois sur la pompe d'amorçage jusqu'à ce que le carburant pénètre à l'intérieur de celle-ci. (En général, 7 à 10 pressions sont nécessaires.)
2. Déplacez le bouton multi-positions vers le haut (position du régulateur). Cela enclenche également le verrou des gaz à mi-régime.
3. Appuyez lentement sur la poignée du démarreur jusqu'à ce que vous sentiez une compression. Appuyez ensuite fortement dessus. Deux à quatre tentatives peuvent être nécessaires pour mettre le moteur en marche.
4. Dès la mise en marche du moteur, déplacez le bouton multi-position en position moyenne (I). Appuyez ensuite à nouveau fortement sur la poignée du démarreur jusqu'à ce que le moteur commence à tourner.
5. Agrippez la poignée arrière (le verrou de sécurité de la gâchette se libère lorsque vous agrippez la poignée) et appuyez un peu sur la gâchette, puis relâchez-la.
6. Desserrez le frein de chaîne.

Démarrage à chaud

Lorsque le moteur est utilisé juste avant le démarrage et est encore chaud, exécutez les étapes suivantes :

1. Appuyez plusieurs fois sur la pompe d'amorçage jusqu'à ce que le carburant pénètre à l'intérieur de celle-ci. (En général, 7 à 10 pressions sont nécessaires.)
 2. Déplacez le bouton multi-positions vers le haut (position du régulateur), puis à nouveau en position moyenne (I).
 3. Appuyez lentement sur la poignée du démarreur jusqu'à ce que vous sentiez une compression. Appuyez ensuite fortement dessus. Deux à quatre tentatives peuvent être nécessaires pour que le moteur démarre. Si le moteur ne démarre pas, exécutez les étapes du démarrage à froid (voir la section « Démarrage à froid »).
- Dès que le moteur commence à tourner, agrippez la poignée arrière (le verrou de sécurité de la gâchette se libère lorsque vous agrippez la poignée) et appuyez un peu sur la gâchette, puis relâchez-la.
4. Desserrez le frein de chaîne.

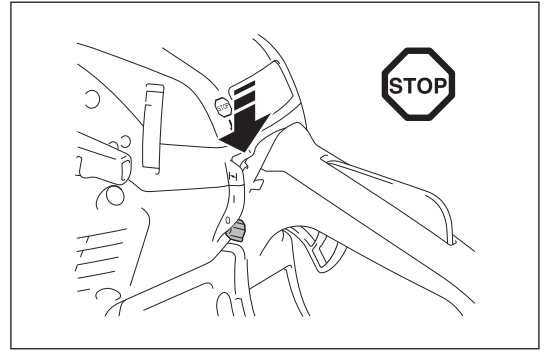


Arrêt du moteur

Relâchez ensuite la gâchette, puis enfoncez le bouton multi-positions en position inférieure (O).

Le bouton multi-positions repasse automatiquement en position (I). Le moteur s'arrête lorsque ce bouton est éteint, mais il est prêt à démarrer.

Pour couper le courant d'allumage, appuyez à fond sur le bouton multi-positions au-delà du point de résistance, afin de le bloquer en position (O).



Réglage de la vitesse du ralenti

⚠ AVERTISSEMENT :

- Ne réglez pas la vitesse du ralenti avant d'avoir complètement monté et vérifié la tronçonneuse à chaîne.
- Si la chaîne bouge toujours au ralenti même après le réglage, cessez immédiatement d'utiliser la tronçonneuse à chaîne et amenez-la dans un centre de service agréé Dolmar pour la faire réparer.

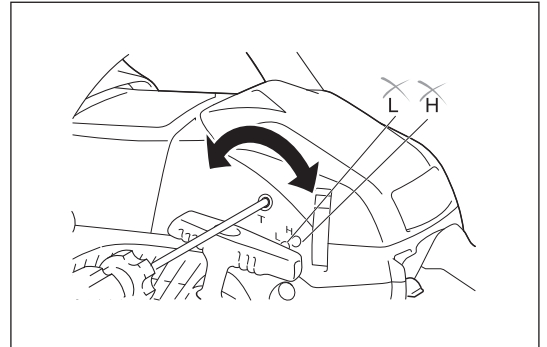
⚠ ATTENTION :

- Ne réglez pas les vis (H) et (L) sur l'illustration.

Si la chaîne tourne au ralenti alors que vous n'avez pas appuyé sur la gâchette, il est nécessaire de régler la vitesse du ralenti.

Pour régler la vitesse du ralenti, procédez comme suit :

1. Démarrez et laissez chauffer le moteur pendant deux ou trois minutes, mais ne faites pas tourner le moteur à plein régime.
2. Pour diminuer le ralenti, tournez la vis de réglage dans le sens inverse des aiguilles d'une montre.
3. Pour augmenter le ralenti, tournez la vis de réglage dans le sens des aiguilles d'une montre.
4. Assurez-vous que la chaîne ne bouge pas lorsqu'elle fonctionne au ralenti.



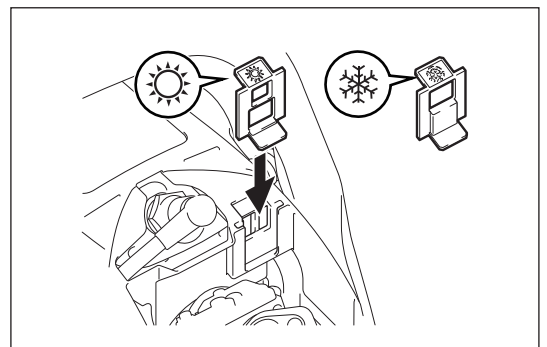
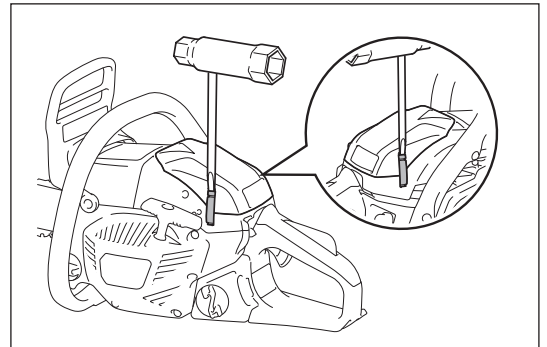
Prévention du givrage du carburateur

NOTE :

- Lorsque la température ambiante est supérieure à 5°C, remplacez toujours le volet en position normale (étoile). Dans le cas contraire, le moteur risque d'être endommagé en raison de la surchauffe.

Lorsque la température ambiante est basse (entre 0°C et 5°C) et l'humidité élevée, la vapeur d'eau peut geler à l'intérieur du carburateur et le moteur fonctionner de façon irrégulière (givrage du carburateur). Modifiez le réglage du volet comme suit, si besoin.

1. Ouvrez le couvercle du filtre à air.
2. Sortez le volet.
3. Réglez le volet en position anti-givrage (neige).
4. Remettez le couvercle du filtre à air en place.



⚠ AVERTISSEMENT :

- Assurez-vous que la tronçonneuse à chaîne a éteint le moteur et retirez le capuchon de la bougie avant de procéder à l'entretien ou à l'inspection.
- Attendez que le moteur refroidisse avant d'effectuer toute tâche de maintenance.
- Portez toujours des gants de protection
- Démarrez la tronçonneuse à chaîne uniquement après l'avoir montée et vérifiée entièrement.
- Éloignez-la des flammes nues et ne fumez pas.

⚠ ATTENTION :

- Pour garantir la SÛRETÉ et la FIABILITÉ du produit, les réparations, l'entretien et les réglages non mentionnés dans ce manuel doivent être confiés à un centre de service après-vente Dolmar agréé. Utilisez toujours des pièces de rechange Dolmar.

Affûtage de la chaîne

La chaîne doit être affûtée lorsque :

- Les copeaux produits lors de la coupe ressemblent à de la sciure,
- La chaîne, tout en exerçant une forte pression, ne « tire » que péniblement dans le bois,
- La face de coupe est de toute évidence endommagée,
- La tronçonneuse est tirée vers la gauche ou la droite lors du tronçonnage. Cela est dû à un affûtage irrégulier de la chaîne.

NOTE :

- Affûtez souvent, sans enlever trop de matériau. En général, deux ou trois passages de la lime suffisent.
- Après avoir effectué vous-même plusieurs affûtages, faites affûter la chaîne dans un centre de service après-vente.

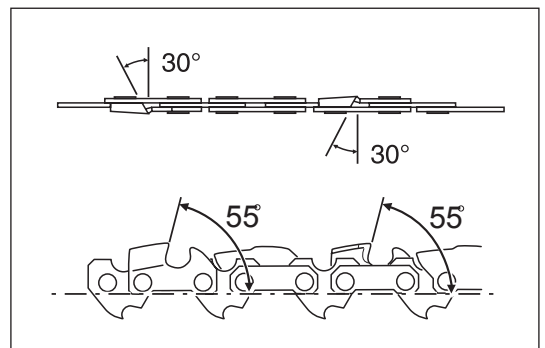
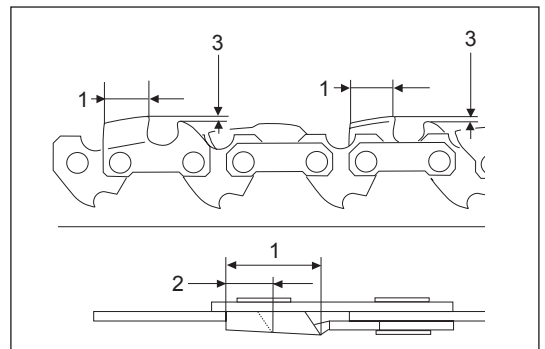
Affûtage correct

⚠ ATTENTION :

- Utilisez uniquement des chaînes et guide-chaînes conçus pour cette tronçonneuse.
- Une profondeur trop importante (3) augmente le risque de choc en retour.

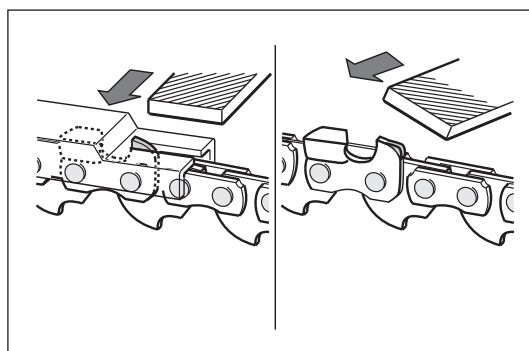
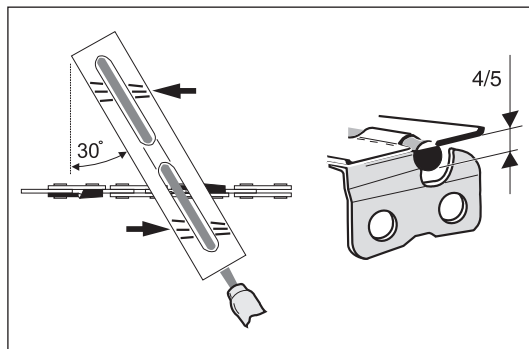
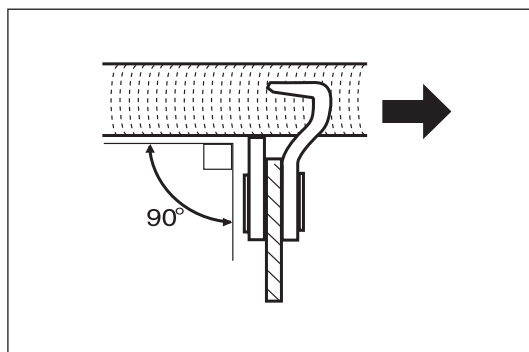
Critères d'affûtage (pour la chaîne 492 (91PX))

- Conservez la même longueur pour toutes les parties coupantes (1) de la chaîne. Des parties coupantes de différentes longueurs rendent le fonctionnement difficile de la chaîne et peuvent provoquer des ruptures de celle-ci.
 - Longueur minimum de coupe (2) : 4 mm. N'affûtez pas la chaîne lorsque la longueur de la partie coupante est inférieure à 4 mm. À ce stade, remplacez la chaîne.
 - La profondeur de coupe (3) correspond à la différence de hauteur entre la jauge de profondeur (nez rond) et la face de coupe.
 - Les meilleurs résultats sont obtenus avec une profondeur de 0,64 mm (0,025").
-
- Conservez le même angle d'affûtage de 30° pour toutes les parties coupantes.
 - Utilisez une lime ronde appropriée afin qu'un angle d'affûtage correct de 55° soit conservé contre les dents.
 - Affûtez les parties coupantes selon un angle correct. Dans le cas contraire, la chaîne risque de tourner de manière irrégulière en cahotant, augmentant ainsi les risques d'usure et de cassure.



Limes et guidage de la lime

- Utilisez une lime ronde spéciale (accessoire fourni en option) pour l'affûtage des chaînes. Il est préférable de ne pas utiliser une lime ronde ordinaire.
- Utilisez une lime ronde de 4,0 mm de diamètre.
- La lime ne doit engager la partie coupante que dans son mouvement vers l'avant. Soulevez la lime de la partie coupante dans son mouvement de retour.
- Affûtez d'abord la plus courte arête. La longueur de cette arête la plus courte devient ensuite la référence pour toutes les autres arêtes de la chaîne.
- Guidez la lime comme illustré sur la figure.
- Un porte-lime (accessoire fourni en option) facilite le guidage de la lime. Le porte-lime comporte des repères pour l'angle d'affûtage correct de 30°. Lors de l'utilisation du porte-lime, alignez les repères parallèlement à la chaîne, et limitez la profondeur de limage aux 4/5 du diamètre de la lime.
- Après l'affûtage de la chaîne, vérifiez la profondeur de la coupe au moyen de l'outil pour jauge de chaîne (accessoire en option).
- Retirez le petit excès à l'aide d'une lime plate spéciale (accessoire fourni en option).
- Arrondissez la partie avant de la jauge de profondeur.



Nettoyage de l'intérieur du garde-chaîne

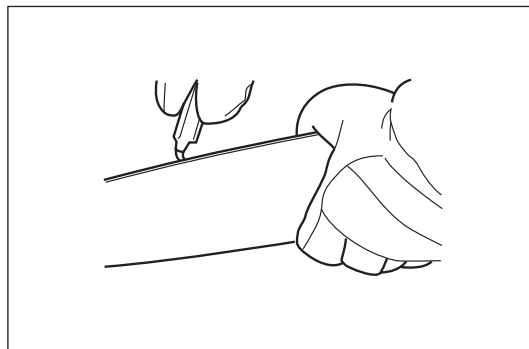
Retirez le garde-chaîne, la chaîne et le guide-chaîne.
Nettoyez l'intérieur du garde-chaîne avec une brosse.

NOTE :

Assurez-vous qu'aucun résidu ou corps étranger ne se trouve dans la rainure d'alimentation en huile, la broche de tension de la chaîne et la bande de frein.

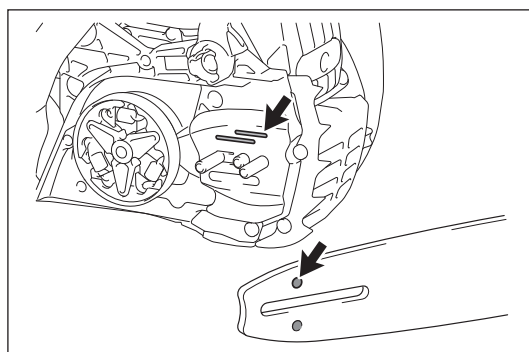
Nettoyage du guide-chaîne

Vérifiez régulièrement l'absence de dommages sur les surfaces mobiles du guide-chaîne. Nettoyez-le à l'aide d'un outil adapté.



Nettoyage de l'alimentation en huile

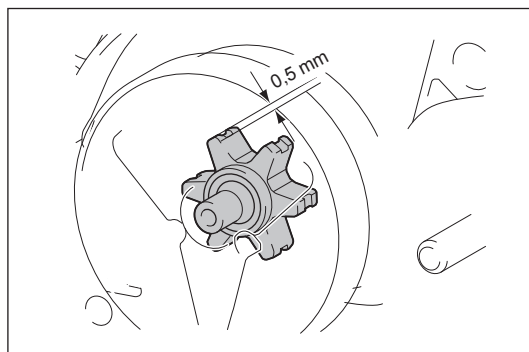
Nettoyez régulièrement la rainure d'alimentation en huile et l'orifice d'alimentation en huile dans le guide-chaîne.



Vérification du pignon

⚠ ATTENTION :

Un pignon usé risque d'endommager une chaîne neuve. N'utilisez pas une chaîne neuve sur un pignon de chaîne usé. Vérifiez le pignon avant d'installer une chaîne neuve. En cas de défaillance ou si le pignon est usé de plus de 0,5 mm, demandez à un centre de service après-vente agréé Dolmar d'effectuer les réparations nécessaires.



Nettoyage du filtre à air

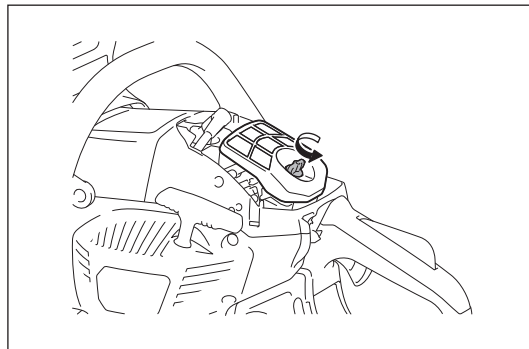
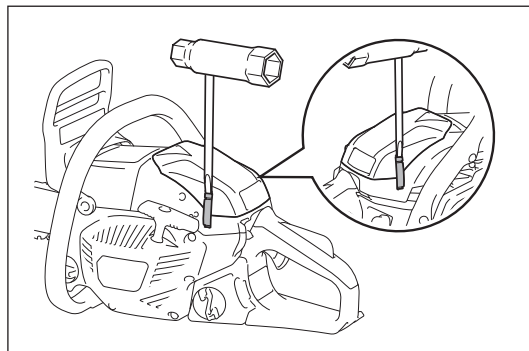
⚠ ATTENTION :

- Portez toujours des protections oculaires.
- Pour nettoyer le filtre à air, procédez comme suit :

1. Déplacez le bouton multi-positions vers le haut (position du régulateur) pour empêcher la saleté ou les corps étrangers de tomber dans le carburateur.
2. Ouvrez deux crochets avec un tournevis à tête plate et retirez le couvercle du filtre à air.
3. Desserrez l'écrou, puis retirez le filtre à air.

REMARQUE :

- Avant de procéder au nettoyage, couvrez l'ouverture avec un tissu propre pour empêcher la saleté ou les corps étrangers de tomber dans le carburateur.
 - Si le filtre à air est endommagé, remplacez-le immédiatement.
4. Tapez dessus ou nettoyez-le avec une brosse ou un compresseur d'air pour en retirer la saleté.
 5. Si le filtre à air est très encrassé, remplacez-le par un filtre à air neuf.
 6. Remettez le filtre à air et son couvercle en place en exécutant les étapes précédentes en ordre inverse.



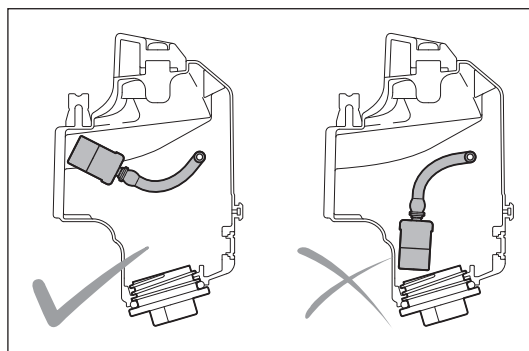
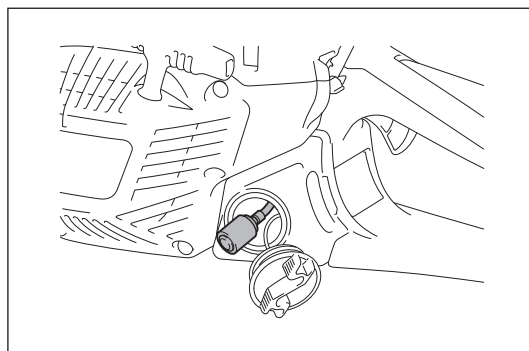
Nettoyage du filtre à carburant

Le filtre à carburant de la crépine d'aspiration permet de filtrer le carburant nécessaire au carburateur. Examinez-le régulièrement de manière visuelle.

1. Dévissez le bouchon du réservoir, utilisez un crochet à fil et retirez la crépine d'aspiration à travers l'orifice du réservoir.
2. Si le filtre est dur ou bouché, remplacez-le.
3. Après avoir procédé à la vérification, au nettoyage ou au remplacement des éléments, installez le filtre à carburant sur le tuyau de carburant à l'aide du collier de serrage. Enfoncez complètement le filtre à carburant au fond du réservoir de carburant.

REMARQUE :

- Il est conseillé de remplacer le filtre à carburant au moins tous les trimestres pour garantir une alimentation suffisante en carburant du carburateur. Dans le cas contraire, une alimentation insuffisante en carburant peut entraîner la défaillance du moteur.

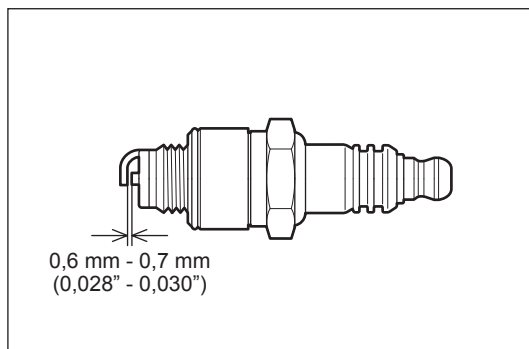


Vérification de la bougie

⚠ ATTENTION :

- Ne touchez jamais le connecteur de la bougie lorsque le moteur est en marche (danger de choc électrique haute tension).

L'écartement entre les deux électrodes de la bougie doit être compris entre 0,6 et 0,7 mm. Réglez l'écartement s'il est trop large ou trop étroit. Si la bougie est bouchée ou contaminée, nettoyez-la complètement ou remplacez-la.



Nettoyage de l'espace du cylindre

⚠ ATTENTION :

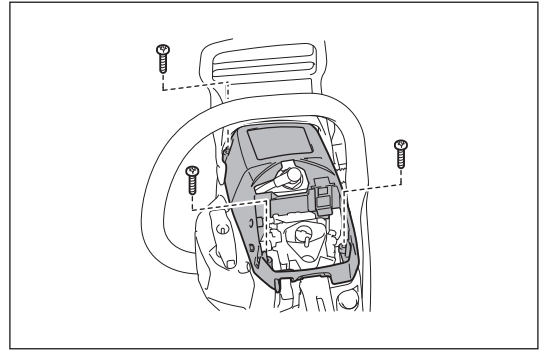
• Portez toujours des protections oculaires.
Après une longue période de fonctionnement, la poussière peut s'accumuler dans l'espace du cylindre. Cela peut entraîner une surchauffe du moteur. Nettoyez occasionnellement l'espace du cylindre.

Pour le nettoyage, procédez comme suit :

1. Ouvrez deux crochets et retirez le couvercle du filtre à air.
2. Retirez le filtre à air.

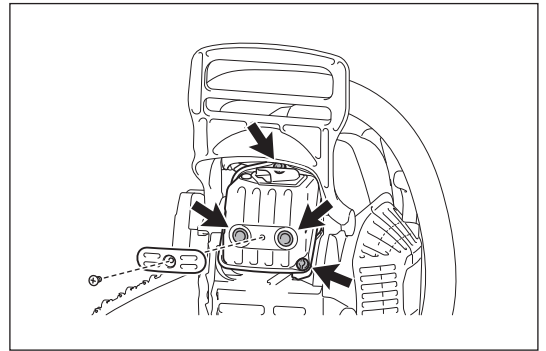
REMARQUE :

- Avant de procéder au nettoyage, couvrez l'ouverture avec un tissu propre pour empêcher la saleté ou les corps étrangers de tomber dans le carburateur.
3. Retirez trois vis ainsi que le couvercle du cylindre. Il est plus facile de retirer le couvercle du cylindre lorsque le carter de protection de la poignée avant est orienté vers l'avant.
 4. Nettoyez l'espace du cylindre et les ailettes du cylindre. Au besoin, utilisez une brosse ou un compresseur d'air.
 5. Une fois le nettoyage terminé, remettez le couvercle du cylindre, le filtre à air et le couvercle du filtre à air en place.



Vérification des vis sur le silencieux

Retirez le couvercle du cylindre et le couvercle antipoussière, puis vérifiez l'étanchéité des quatre vis sur le silencieux. Serrez-le s'il est desserré.



Vérification du pare-étincelles

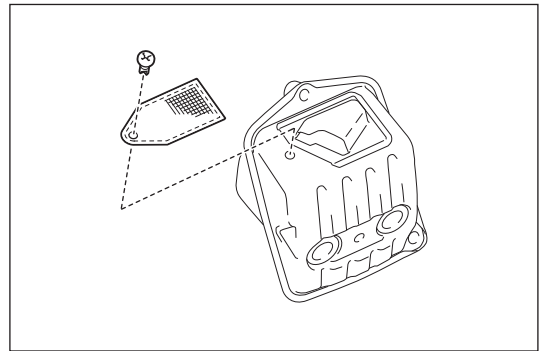
⚠ ATTENTION :

• Ne démarrez pas le moteur si le pare-étincelles est endommagé ou absent.
Le pare-étincelles empêche aux charbons chauds de sortir du tuyau d'échappement. Vérifiez régulièrement le pare-étincelles en procédant comme suit :

1. Retirez le couvercle du cylindre.
2. Retirez la vis de retenue du pare-étincelles. Il est plus facile de retirer la vis en poussant le carter de protection de la poignée avant vers l'avant. Ensuite, faites glisser le pare-étincelles.

Au besoin, nettoyez le pare-étincelles avec une brosse métallique.

Si le pare-étincelles est endommagé, remplacez-le.



Nettoyage des pièces

Essayez régulièrement le moteur avec un chiffon en tissu afin de le maintenir propre.

Inspection des boulons, écrous et vis

- Vérifiez les boulons, écrous, etc. Serrez-les au besoin.
- Assurez-vous que le bouchon du réservoir de carburant et le bouchon d'huile sont bien serrés. Vérifiez l'absence de fuite de carburant.
- Remplacez les pièces endommagées par des pièces neuves afin de garantir un fonctionnement en toute sécurité.

Rangement de l'outil

⚠ ATTENTION :

- Le moteur est encore très chaud juste après l'arrêt du moteur. Lorsque vous purgez le carburant, laissez suffisamment de temps au moteur pour refroidir après l'avoir arrêté. Dans le cas contraire, vous risquez de vous brûler et/ou de déclencher un incendie.
- Si vous prévoyez de ne pas utiliser l'appareil pendant une longue période, vidangez le réservoir de carburant et le carburateur, et entreposez l'appareil dans un endroit sec et propre.

L'huile de chaîne biodégradable ne peut se conserver que pendant une durée limitée. Deux ans après leur fabrication, les huiles biologiques deviennent adhésives et endommagent la pompe à huile et les pièces du dispositif de lubrification.

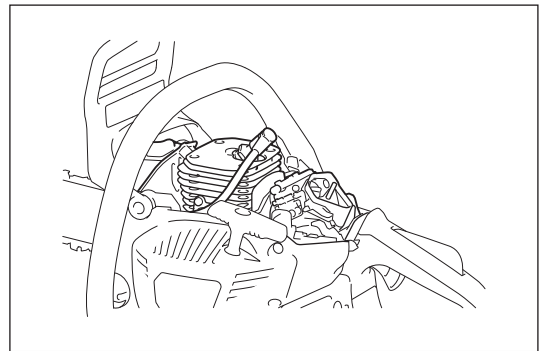
- Si vous prévoyez de ne pas utiliser la tronçonneuse à chaîne pendant une période prolongée, videz le réservoir d'huile et versez-y une petite quantité d'huile moteur (SAE 30).
- Faites tourner la tronçonneuse à chaîne un court instant pour éliminer les résidus d'huile biologique du réservoir, du dispositif de lubrification et du mécanisme de la tronçonneuse.

Rangez la tronçonneuse à chaîne sur une surface adéquate.

Avant d'envoyer la tronçonneuse à chaîne pour la faire réparer, remplissez-la d'huile de chaîne biodégradable fraîche.

REMARQUE :

- De petites quantités d'huile de chaîne coulent pendant un certain temps après l'utilisation de la tronçonneuse à chaîne. Cela est normal et n'indique aucun dysfonctionnement.



INTERVALLE D'ENTRETIEN

Pour prolonger la durée de service de l'outil et garantir un fonctionnement optimal des fonctions de sécurité, effectuez régulièrement des travaux d'entretien.

Élément	Durée de fonctionnement	Avant l'utilisation	Tous les jours	Toutes les semaines	Tous les trimestres	Tous les ans	Avant de ranger l'outil
Tronçonneuse à chaîne	Inspection.	○					
	Nettoyage.		○				
	Vérification dans un centre de service après-vente agréé.					○	
Chaîne	Inspection. / Affûtage, au besoin.	○					
Guide-chaîne	Inspection.	○					
Frein de chaîne	Vérifiez le fonctionnement.	○					
	Faites-le vérifier régulièrement dans un centre de service après-vente agréé.				○		
Corde du démarreur	Inspection.	○					
Lubrification de la chaîne	Vérifiez le débit d'huile.	○					
Bouton multi-positions	Inspection.	○					
Verrou de sécurité de la gâchette	Inspection.	○					
Gâchette	Inspection.	○					
Bouchon du réservoir de carburant	Vérifiez l'étanchéité.	○					
Bouchon du réservoir d'huile	Vérifiez l'étanchéité.	○					
Filtre à air	Nettoyage.		○				
Vitesse au ralenti	La chaîne ne bouge pas au ralenti.		○				
Espace du cylindre	Nettoyage.			○			
Bougie d'allumage	Inspection. / Nettoyage. / Remplacez-la au besoin.				○		
Pare-étincelles	Inspection. / Nettoyage. / Remplacez-le au besoin.				○		
Silencieux	Vérifiez l'étanchéité des vis.			○			
Attrape-chaîne	Inspection.			○			
Vis et écrous	Inspection.			○			
Filtre à carburant	Inspection. / Remplacez-le au besoin.				○		
Réservoir de carburant	Videz-le.						○
Carburateur	Faites-le tourner à vide.						○

* Avant de vider l'huile, assurez-vous de pouvoir vous en débarrasser de manière appropriée. Ne la versez pas dans les égouts, dans le jardin ou dans un cours d'eau. Les réglementations environnementales ou de zonage locales peuvent vous fournir des instructions plus détaillées quant à l'élimination de ce type de déchet.

DÉPANNAGE

Avant d'envoyer votre appareil en réparation, vérifiez si vous pouvez régler le problème vous-même. Pour toute réparation, contactez un centre de service après-vente agréé.

État du dysfonctionnement	Cause possible	Solution
La chaîne ne tourne pas.	Le frein de chaîne est serré.	Desserrez le frein de chaîne.
Le moteur ne démarre pas.	Dysfonctionnement de la bougie d'allumage.	Vérifiez la bougie d'allumage.
	Le réservoir de carburant est vide.	Remplissez le réservoir de carburant.
	Problème d'alimentation du carburant.	Vérifiez que le filtre à carburant n'est pas bouché.
	Dysfonctionnement de l'outil.	Faites réparer l'appareil par le centre de service agréé le plus proche.
Performances insuffisantes.	Le filtre à air est encrassé.	Nettoyez le filtre à air. Remplacez-le au besoin.
	L'espace du cylindre est sale.	Nettoyez l'espace du cylindre.
	La température ambiante est très basse.	Modifiez le réglage du volet du carburateur. Voir la section « Prévention du givrage du carburateur ».
Pas d'huile sur la chaîne.	Le réservoir d'huile est vide.	Remplissez le réservoir d'huile.
	La rainure d'alimentation en huile est sale.	Nettoyez la rainure.
	L'alimentation en huile est mal réglée.	Réglez le débit d'huile.
	Dysfonctionnement de la pompe à huile.	Faites réparer l'appareil par le centre de service après-vente agréé le plus proche.
La chaîne ne s'arrête pas, même si le frein de chaîne est serré.	Bande de frein usée.	Cessez immédiatement d'utiliser l'outil et faites réparer l'appareil par votre centre de service après-vente agréé le plus proche.
L'outil vibre anormalement.	Le guide-chaîne ou la chaîne est détendu(e).	Réglez la tension du guide-chaîne et de la chaîne.
	Dysfonctionnement de l'outil.	Cessez immédiatement d'utiliser l'outil et faites réparer l'appareil par votre centre de service après-vente agréé le plus proche.
La chaîne ne s'arrête pas lorsque le moteur tourne au ralenti.	La vitesse du ralenti est trop élevée.	Corrigez la vitesse du ralenti.
	Défaillance de l'embrayage.	Cessez immédiatement d'utiliser l'outil et faites réparer l'appareil par votre centre de service après-vente agréé le plus proche.

Inhaltsverzeichnis

Seite

Symbole.....52
 Arbeitsschutz.....53
 Technische Daten.....59
 Bezeichnung der Bauteile.....60
 Sicherheitsfunktion der Motorsäge.....61
 Montage.....63
 Vor der Verwendung.....66
 Starten und Stoppen des Motors.....68
 Wartung.....70
 Wartungsintervall.....75
 Problembeseitigung.....76

SYMBOLE

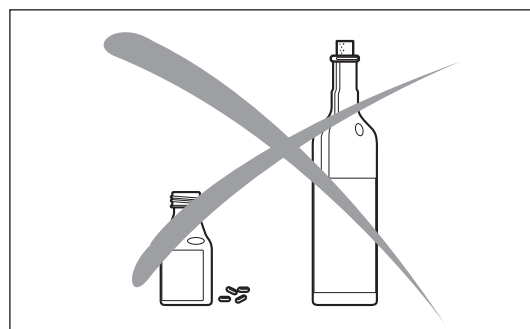
	Lesen Sie unbedingt diese Bedienungsanleitung und beachten Sie die Warnungen und Sicherheitsvorschriften!		Achtung, Rückschlag!
	Besondere Vorsicht und Aufmerksamkeit erforderlich!		
	Verboten!		Kettenbremse
	Tragen Sie Schutzhelm, Schutzbrille und Gehörschutz!		Halten Sie die Säge während der Arbeit mit beiden Händen fest! Das Erfassen der Säge mit nur einer Hand ist äußerst gefährlich!
	Tragen Sie Schutzhandschuhe!		Kraftstoff-Öl-Gemisch
	Rauchen verboten!		Kettenöl-Füllung/Ölpumpe
	Offenes Feuer verboten!		Stellschraube für Sägekettenöl
	Motor stoppen!		Anlasseinspritzpumpe
	Motor starten		Laufrichtung der Kette
	Kombinationsschalter, Choke EIN/STOPP		Erste Hilfe

Verwendungszweck

Diese Motorsäge ist nur für das Sägen von Holz im Freien bestimmt.

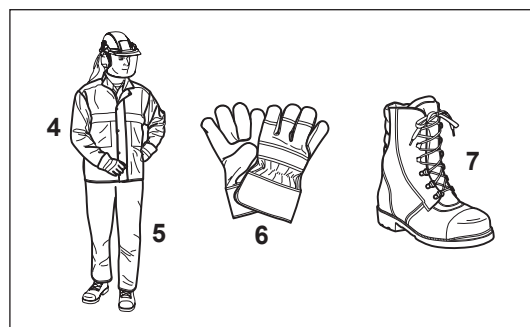
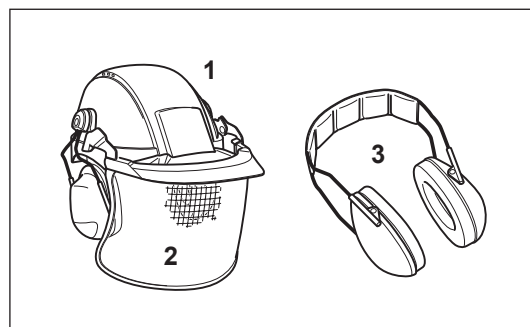
Allgemeine Vorsichtsmaßnahmen

- **Der Benutzer muss diese Betriebsanleitung aufmerksam durchlesen**, um sich mit dem Umgang des Werkzeugs vertraut zu machen. Nur so ist eine ordnungsgemäße Handhabung des Werkzeugs gegeben. Unzureichend informierte Benutzer gefährden sich selbst und andere aufgrund eines unsachgemäßen Umgangs.
- Es wird empfohlen, die Motorsäge nur an Personen zu verleihen, die bereits über Erfahrung im Umgang mit Motorsägen verfügen. Überreichen Sie stets auch diese Betriebsanleitung.
- Personen ohne Erfahrung im Umgang mit Motorsägen sollten den Händler um eine Grundeinweisung zum Umgang mit motorgetriebenen Sägen ersuchen oder einen anerkannten Lehrgang besuchen, um sich mit der Verhaltensweise derartiger Maschinen vertraut zu machen.
- Kindern und Jugendlichen unter 18 Jahren ist die Bedienung dieser Motorsäge untersagt. Jugendliche über 16 Jahre dürfen die Motorsäge ausschließlich zu Ausbildungszwecken und unter Aufsicht eines zugelassenen Ausbilders bedienen.
- Betreiben Sie die Motorsäge nur, wenn Sie in guter physischer Verfassung sind. Falls Sie müde sind, lässt Ihre Aufmerksamkeit nach. Seien Sie am Ende eines Arbeitstages besonders aufmerksam. Führen Sie alle Arbeiten ruhig und mit Vorsicht aus. Die Bedienperson ist gegenüber Dritten haftbar.
- Bleiben Sie wachsam, achten Sie auf das, was Sie tun, und gebrauchen Sie Ihren gesunden Menschenverstand, wenn Sie eine Motorsäge benutzen. Ein Moment der Unachtsamkeit bei der Arbeit kann zu schweren Verletzungen führen.
- Verwenden Sie die Motorsäge niemals, wenn Sie Alkohol, Drogen oder Medikamente eingenommen haben.
- Der Auspuffschalldämpfer kann in seinem Inneren krebserregende Chemikalien enthalten. Vermeiden Sie daher den Kontakt mit einem beschädigten Auspuffschalldämpfer.
- Das Zündsystem des Motors erzeugt während des Betriebs elektromagnetische Wellen. Diese können unter bestimmten Umständen medizinische Geräte beeinträchtigen und bei Personen mit Herzschrittmacher zu ernsten Verletzungen führen. Personen mit Herzschrittmacher sollten vor der Verwendung der Motorsäge unbedingt ihren Hausarzt oder den Hersteller des Herzschrittmachers um Rat fragen.
- Verwenden Sie keine Motorsäge, an der augenscheinlich Modifikationen vorgenommen wurden.
- Sind im Arbeitsbereich leicht entzündliche Gewächse vorhanden oder hat es längere Zeit nicht geregnet, müssen ein Feuerlöscher und eine Schaufel in der unmittelbaren Umgebung verfügbar sein (Brandgefahr).
- Die Erlaubnis zur Verwendung dieses Werkzeugs kann durch örtlich geltende Gesetze und Bestimmungen eingeschränkt sein. Befolgen Sie die in Ihrem Land geltenden Bestimmungen zur Verwendung der Motorsäge.



Persönliche Schutzausrüstung

- **Um Verletzungen von Gehör, Augen, Händen und Füßen zu vermeiden, aber auch um Ihre Hörleistung während des Betriebs zu schützen, müssen Sie während der Bedienung der Motorsäge die folgenden Schutzausrüstungen tragen.**
- Es ist geeignete Arbeitskleidung zu tragen, die am Körper anliegt, jedoch die Bewegungsfreiheit nicht einschränkt. Das Tragen von Schmuck oder Kleidung, der bzw. die sich in Büschen oder Gestrüpp verfangen können, ist nicht zulässig. Falls Sie lange Haare haben, tragen Sie immer ein Haarnetz.
- Es ist notwendig, bei der Arbeit mit der Motorsäge jederzeit einen Schutzhelm zu tragen. Der Schutzhelm (1) muss regelmäßig auf Beschädigungen überprüft und spätestens nach jeweils 5 Jahren durch einen neuen Helm ersetzt werden. Verwenden Sie ausschließlich zugelassene Schutzhelme.
- Der Gesichtsschutz (2) des Schutzhelms (oder die Schutzbrille) schützt vor Sägemehl und Holzspäne. Für viele Einsatzfälle ist diese Hose vorgeschrieben.
- Tragen Sie einen angemessenen Gehörschutz (Gehörschutzkapseln (3), Gehörschutzstöpsel usw.). Ist Ihr Gehör über einen längeren Zeitraum lautem Lärm ausgesetzt, kann es zu dauerhaften Hörschäden kommen.
- Die Sicherheitsjacke (4) hat einen speziellen einfarbigen Schulterstreifen und ist bequem und pflegeleicht.
- Die Arbeitshosen (5) bestehen aus einer Nylonfaser mit 22 Schichten und schützen vor Schnitten. Für viele Einsatzfälle ist diese Hose vorgeschrieben.
- Schutzhandschuhe (6) aus dickem Leder sind Bestandteil der vorgeschriebenen Ausrüstung und müssen beim Betrieb der Motorsäge stets getragen werden.
- Während des Betriebs der Motorsäge müssen stets Sicherheitsschuhe oder Sicherheitstiefel (7) mit rutschfester Sohle, Stahlkappen und Beinschützern getragen werden. Sicherheitsschuhe mit Schnittschutz bieten Schutz vor Schnitten und einen sicheren Stand.
- Tragen Sie bei Bedarf eine Schutzmaske. Das Einatmen von Abgasen, Kettenölnebel und Sägespäne über einen längeren Zeitraum kann Ihrer Gesundheit schaden.



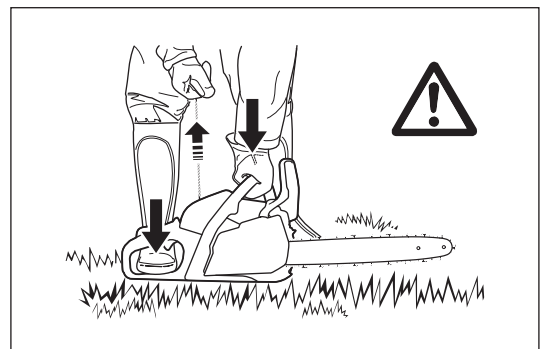
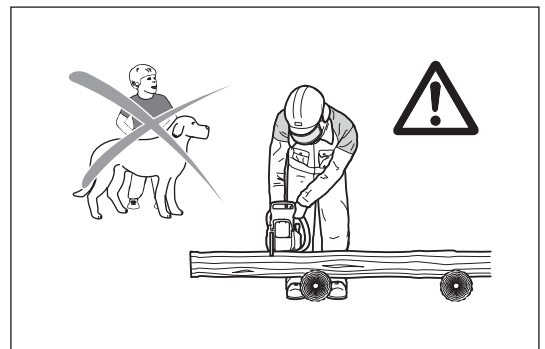
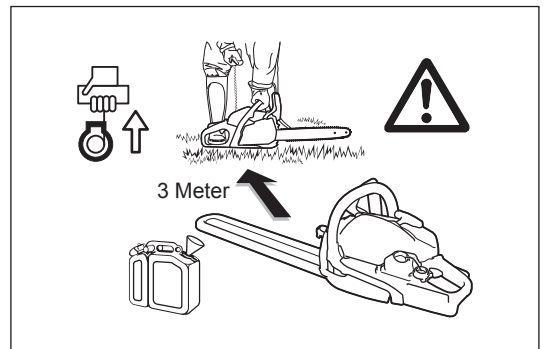
Kraftstoffe/Betanken

- Stoppen Sie vor dem Betanken der Motorsäge den Motor.
- Rauchen Sie nicht und arbeiten Sie nicht in der Nähe offener Feuer.
- Lassen Sie den Motor abkühlen, bevor Sie ihn betanken.
- Kraftstoffe können Substanzen enthalten, die wie Lösungsmittel wirken. Augen und Haut dürfen mit Mineralölerzeugnissen nicht in Kontakt kommen. Tragen Sie zum Betanken immer Schutzhandschuhe. Reinigen und wechseln Sie die Schutzhandschuhe häufig. Atmen Sie die Kraftstoffdämpfe nicht ein. Das Einatmen von Kraftstoffdämpfen kann gefährlich für Ihre Gesundheit werden.
- Verschütten Sie keinen Kraftstoff oder Kettenöl. Wenn Sie Kraftstoff oder Öl verschüttet haben, reinigen Sie die Motorsäge sofort. Kraftstoff darf nicht in Kontakt mit Kleidung kommen. Falls Kraftstoff auf Ihre Kleidung gelangt ist, wechseln Sie diese sofort.
- Achten Sie darauf, dass kein Kraftstoff oder Kettenöl ins Erdreich eintritt (Umweltschutz) Verwenden Sie eine geeignete Unterlage.
- Das Betanken in geschlossenen Räumen ist nicht erlaubt. Am Fußboden sammeln sich Kraftstoffdämpfe an (Explosionsgefahr).
- Stellen Sie sicher, dass die Schraubkappen der Kraftstoff- und Öltanks festgezogen sind.
- Wechseln Sie Ihren Standort, bevor Sie den Motor starten (Mindestens 3 m vom Ort des Auftankens entfernt).
- Kraftstoff kann nicht unbegrenzt gelagert werden. Kaufen Sie nur so viel, wie Sie in nächster Zeit verbrauchen werden.
- Lagern und transportieren Sie Kraftstoff und Kettenöl ausschließlich in zugelassenen und ordnungsgemäß beschrifteten Behältern. Bewahren Sie Kraftstoff und Kettenöl außerhalb der Reichweite von Kindern auf.



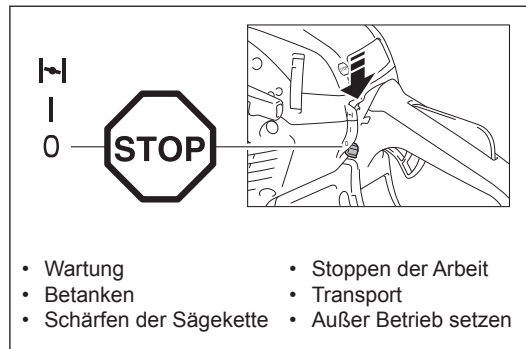
Inbetriebnahme

- **Arbeiten Sie niemals allein. Eine andere Person muss sich für den Notfall in der Nähe befinden** (in Rufreichweite).
- Vergewissern Sie sich, dass sich keine Kinder oder andere Personen im Arbeitsbereich aufhalten. Achten Sie auch auf Tiere im Arbeitsbereich.
- **Vor dem Arbeitsbeginn muss die Motorsäge auf einwandfreie Funktion überprüft werden und die ordnungsgemäße Betriebssicherheit muss gegeben sein. Verwenden Sie niemals eine beschädigte Motorsäge.** Überprüfen Sie insbesondere die Funktionstüchtigkeit der Kettenbremse, die korrekte Montage der Führungsschiene, die Sägekette auf vorschriftsmäßige Schärfung und Spannung, den Kettenschutz auf festen Sitz, den Gashebel auf Leichtgängigkeit, die Funktionstüchtigkeit der Gashebel-Arretierung, Griffe auf Sauberkeit und Trockenheit sowie den Kombinationsschalter auf einwandfreie Funktion.
- Wenn Sie die Motorsäge fallen lassen oder sie anderen Stößen ausgesetzt war, unterbrechen Sie sofort die Arbeit mit dem Werkzeug und untersuchen Sie es auf erhebliche Schäden oder Defekte.
- Betreiben Sie die Motorsäge nur dann, wenn sie vollständig zusammengesetzt ist. Wenn Teile an der Motorsäge fehlen, ist der Betrieb der Motorsäge unzulässig.
- Überprüfen Sie Ihre persönliche Schutzausrüstung.
- Betreiben Sie die Motorsäge nur so, wie es in dieser Betriebsanleitung beschrieben ist. Andere Startmethoden sind nicht zulässig.
- Achten Sie vor dem Start der Motorsäge auf sicheren Stand.
- Beim Start der Motorsäge muss diese fest aufliegen und sicher festgehalten werden. Die Führungsschiene und Kette dürfen keine Gegenstände berühren.
- Vergewissern Sie sich, dass genügend Kettenöl die Kette erreicht.



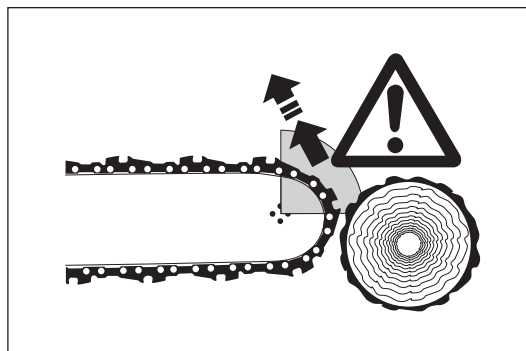
Betrieb

- Halten Sie beim Arbeiten mit der Motorsäge diese stets mit beiden Händen. Erfassen Sie den hinteren Griff mit der rechten Hand und den vorderen Griff mit der linken Hand. Umfassen Sie die Griffe fest mit dem Daumen.
- **⚠ ACHTUNG: Wenn Sie den Gashebel loslassen, läuft die Kette noch für eine kurze Zeit nach (Nachlauf).**
- Achten Sie jederzeit auf sicheren und festen Stand.
- Halten Sie die Motorsäge so, dass Sie die Abgase nicht einatmen. Arbeiten Sie nicht in geschlossenen Räumen (Vergiftungsgefahr).
- **Schalten Sie die Motorsäge sofort aus, wenn spürbare Veränderungen im Verhalten der Motorsäge auftreten.**
- **Der Motor muss ausgeschaltet werden, bevor Sie die Spannung der Kette prüfen, die Kette nachspannen oder wechseln oder Fehlfunktionen beheben.**
- Wenn die Säge während der Arbeiten von Steinen, Nägeln oder sonstigen harten Gegenständen getroffen wird, schalten Sie sofort den Motor aus und überprüfen Sie die Säge.
- Wenn Sie die Arbeit beenden oder den Arbeitsbereich verlassen, schalten Sie die Motorsäge aus und legen Sie diese so ab, dass keine Personen gefährdet werden.
- **⚠ ACHTUNG: Legen Sie die überhitzte Motorsäge nicht in trockenes Gras oder auf andere brennbare Gegenstände. Der Schalldämpfer ist sehr heiß (Brandgefahr).**
- **ACHTUNG: Öl, das nach dem Anhalten der Sägekette von der Kette oder der Führungsschiene tropft, verschmutzt das Erdreich. Verwenden Sie immer eine geeignete Unterlage.**



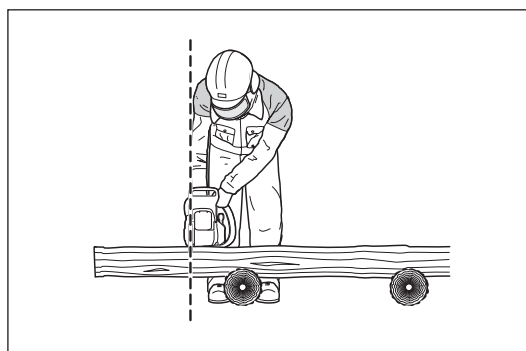
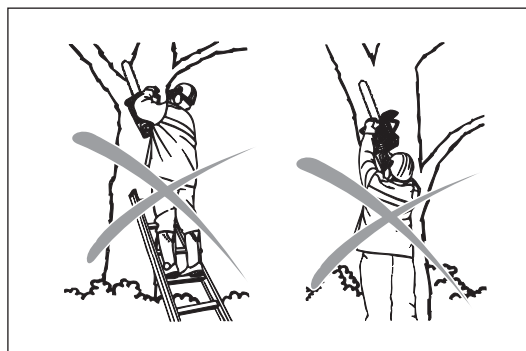
Rückschlag

- Beim Arbeiten mit der Motorsäge kann es zu gefährlichen Rückschlägen (Kickback) kommen.
 - Wenn das obere Ende der Führungsschiene unbeabsichtigt einen Gegenstand oder hartes Holz berührt, kommt es zu einem Rückschlag.
 - Dadurch wird die Säge mit großer Kraft und außerhalb der Kontrolle zurück in Richtung des Bedieners geworfen. **Verletzungsgefahr!**
- Um ein Rückschlagen zu vermeiden, befolgen Sie diese Regeln:**
- Nur speziell-geschulte Personen dürfen Tauchschnitte durchführen, d.h. Eindringen in Holz mit der Spitze der Säge.
 - Setzen Sie niemals das Schienenende an, um einen Schnitt zu beginnen.
 - Achten Sie immer auf das Führungsschienenende. Seien Sie vorsichtig, wenn Sie einen bereits begonnenen Schnitt fortführen.
 - Ein Schnitt muss immer mit laufender Sägekette angesetzt werden.
 - Stellen Sie immer sicher, dass die Kette richtig geschärft ist. Achten Sie insbesondere auf die Höhe des Tiefenbegrenzers.
 - Sägen Sie niemals mehrere Äste gleichzeitig. Achten Sie beim Sägen eines Astes darauf, dass die Motorsäge keinen anderen Ast berührt.
 - Achten Sie beim Ablängen eines Stamms auf benachbarte Stämme.



Verhaltensregeln und Vorgehensweise für die Arbeiten

- Verwenden Sie die Motorsäge nur bei guten Licht- und Sichtverhältnissen. Achten Sie auf rutschigen und feuchten Untergrund und auf Eis und Schnee (Rutschgefahr). Beim Arbeiten auf frisch geschältem Holz (Rinde) ist die Rutschgefahr besonders hoch.
- Arbeiten Sie niemals auf nicht stabilen Flächen. Stellen Sie sicher, dass sich im Arbeitsbereich keine Hindernisse befinden, über die Sie stolpern könnten. Achten Sie jederzeit auf sicheren und festen Stand.
- Sägen Sie niemals über Schulterhöhe.
- Sägen Sie niemals auf einer Leiter.
- Klettern Sie niemals auf Bäume, um dort Arbeiten mit der Motorsäge auszuführen.
- Lehnen Sie sich bei der Arbeit nicht zu weit über.
- Führen Sie die Motorsäge so, dass sich Ihr Körper außerhalb des verlängerten Schwenkbereichs der Säge befindet.
- Diese Motorsäge darf ausschließlich für das Sägen von Holz verwendet werden.
- Vermeiden Sie Bodenkontakt mit der Motorsäge, während diese noch läuft.
- Verwenden Sie die Motorsäge niemals zum Abhebeln oder Entfernen von Holzstücken oder anderen Gegenständen.
- Entfernen Sie Fremdkörper, wie Sand, Steine und Nägel aus dem Arbeitsbereich. Fremdkörper können die Säge beschädigen und so gefährliche Rückschläge verursachen.
- Verwenden Sie zum Sägen von Schnittholz eine sichere Auflage (Sägebock). Fixieren Sie das Werkstück nicht mit Ihrem Fuß und gestatten Sie niemandem, es festzuhalten oder abzustützen.
- Sichern Sie runde Stücke gegen unerwünschte Drehbewegungen.

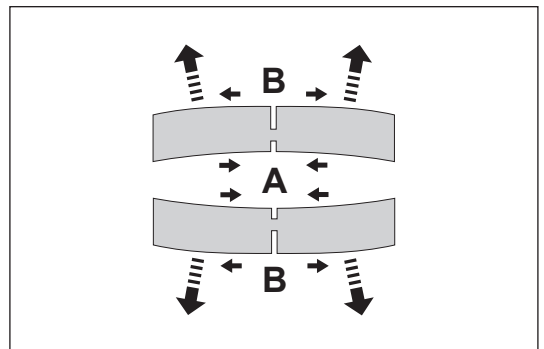
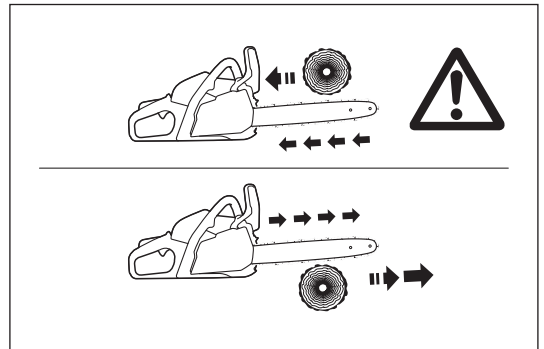
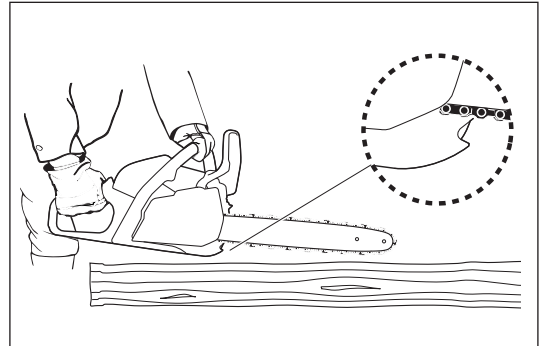
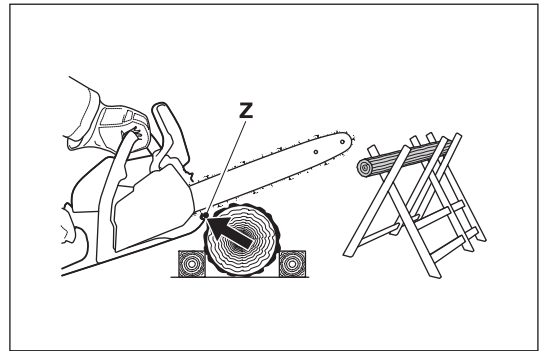


- Für das Fällen von Bäumen oder bei Ablängsschnitten muss der Krallenanschlag (Z) an das zu sägende Holz angesetzt werden.
- Setzen Sie vor dem Ausführen eines Ablängschnittes den Krallenanschlag fest am zu schneidenden Holz an, nur so kann das Holz von der laufenden Kette durchtrennt werden. Heben Sie dazu die Motorsäge am hinteren Griff an und führen Sie die Säge am vorderen Griff. Der Krallenanschlag dient dabei als Drehpunkt. Führen Sie den Schnitt aus, indem Sie den vorderen Griff nach unten drücken und dabei die Motorsäge gleichzeitig nach hinten ziehen. Setzen Sie den Krallenanschlag etwas tiefer an und heben Sie die Säge wieder am hinteren Griff an.
- Es wird dringend empfohlen, dass Stech- und Längsschnitte nur von entsprechend ausgebildeten Personen ausgeführt werden (hohe Gefahr von Rückschlägen).
- Führen Sie Längsschnitte mit dem kleinstmöglichen Winkel durch. Seien Sie bei dieser Art von Schnitten sehr vorsichtig, da der Krallenanschlag nicht greift.
- Die Säge muss stets laufen, wenn Sie die Motorsäge aus dem Holz entfernen.
- Wenn Sie mehrere Schnitte durchführen, muss der Gashebel zwischen den Schnitten losgelassen werden.
- Gehen Sie beim Sägen von gesplittertem Holz äußerst vorsichtig vor. Abgeschnittene Holzstücke können mitgerissen werden (Verletzungsgefahr).
- Wenn beim Sägen mit der Führungsschienenoberseite die Sägekette einklemmt, kann die Motorsäge plötzlich in Richtung Bediener gestoßen werden. Schneiden Sie daher möglichst mit der Schienenunterseite. Die Motorsäge wird so von Ihnen weg bewegt.
- Wenn das Holz unter Spannung steht, sägen Sie zuerst die Druckseite (A). Führen Sie anschließend den Ablängschnitt auf der unter Zugbelastung stehenden Seite (B) aus. Ein Verklemmen der Führungsschiene kann so vermieden werden.

⚠ ACHTUNG:

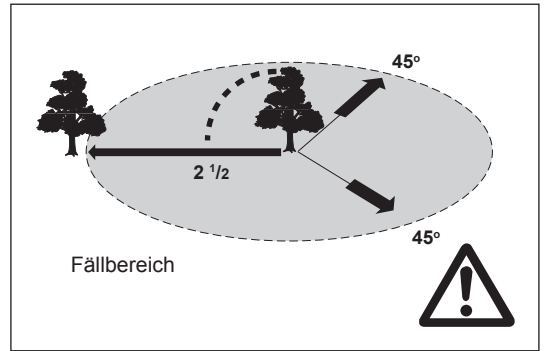
Personen, die Bäume fällen oder Äste sägen, müssen speziell geschult sein. Es besteht hohe Verletzungsgefahr!

- Beim Sägen von Ästen sollte die Motorsäge auf dem Baumstamm abgestützt werden. Verwenden Sie zum Sägen nicht das Schienenende (Gefahr von Rückschlägen).
- Achten Sie auf Äste, die unter Spannung stehen. Freihängende Äste nicht von unten durchtrennen.
- Führen Sie Schnitte zum Lösen von mechanischen Spannungen niemals auf dem Baumstamm stehend aus.

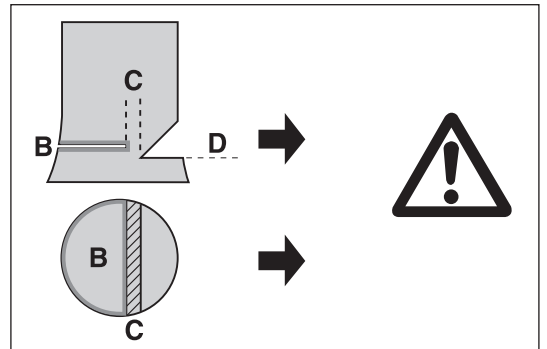
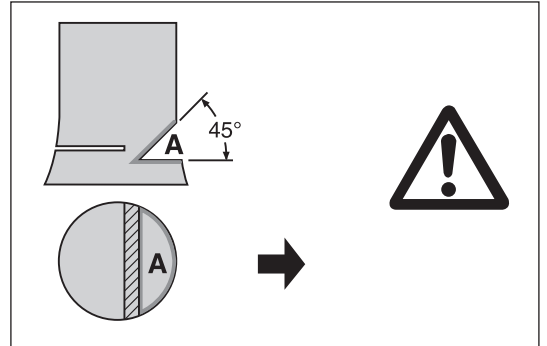


• **Vor dem Fällen eines Baumes ist Folgendes sicherzustellen:**

- a) Es dürfen sich nur die direkt mit dem Fällen des Baumes beschäftigten Personen im Arbeitsbereich aufhalten.
- b) Jeder beteiligte Arbeiter kann sich aus dem Arbeitsbereich zurückziehen, ohne zu stolpern (Personen sollten sich rückwärts und in einer diagonalen Linie, d.h. in einem 45°-Winkel zurückziehen).
- c) Der untere Teil des Baumstamms muss frei von Fremdkörpern, Unterholz und Ästen sein. Achten Sie auf sicheren Stand (Stolpergefahr).
- d) Der nächste Arbeitsplatz befindet sich mindestens 2 1/2 Baumlängen entfernt. Vergewissern Sie sich vor dem Fällen des Baumes über die Fallrichtung und stellen Sie sicher, dass sich weder Personen noch Gegenstände in einem Umkreis von 2 1/2 Baumlängen befinden.

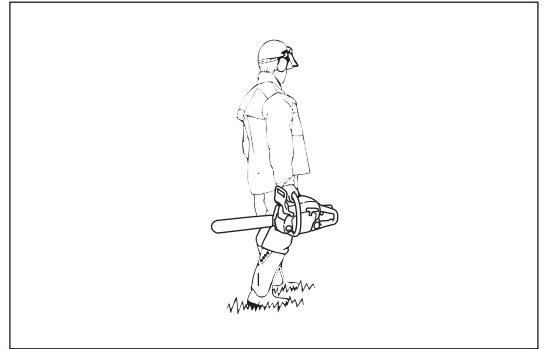


- **Beurteilen des Baumes:** Hängerichtung - lose oder dürre Äste - Höhe des Baumes - natürliche Neigung - ist der Baum morsch?
- Achten Sie auf Windrichtung und Windgeschwindigkeit. Führen Sie bei starken Böen keine Fällarbeiten durch.
- **Sägen der Wurzeln:** Beginnen Sie mit der stärksten Wurzel. Führen Sie zuerst den senkrechten Schnitt und dann den waagerechten Schnitt aus.
- **Einkerben des Stamms:** Der Fallkerb (A) gibt dem Baum Fallrichtung und Führung. Der Kerb wird senkrecht zur Fallrichtung und auf 1/5 bis 1/3 des Durchmessers des Stamms in den Baum eingebracht. Führen Sie den Schnitt möglichst nah am Boden aus.
- Korrekturen am Fallkerb sind über die gesamte Breite des Kerbs nachzuschneiden.
- **Setzen Sie den Fällschnitt** über der Unterkante (D) des Kerbs an. Der Fällschnitt muss exakt waagrecht ausgeführt werden (B). Der Abstand zwischen beiden Schnitten (C) muss ca. 1/10 des Stammdurchmessers betragen.
- Das **Material zwischen den beiden Schnitten** dient als Scharnier. Schneiden Sie den Baum niemals vollständig durch, da der Baum sonst völlig unkontrolliert fällt. Bringen Sie rechtzeitig Keile ein.
- Sichern Sie den Fällschnitt nur mit Keilen aus Kunststoff oder Aluminium. Verwenden Sie keine Stahlkeile. Wenn die Säge auf einen Stahlkeil trifft, kann die Sägekette schwer beschädigt werden oder abreißen.
- Stellen Sie sich beim Ausführen des Fällschnitts immer seitlich neben den fallenden Baum.
- Achten Sie beim Zurückgehen nach dem Fällschnitt auf fallende Äste.
- Beim Arbeiten am Hang muss sich der Bediener der Motorsäge immer oberhalb oder seitlich neben dem zu fallenden Baum bzw. des gefällten Baums aufhalten.
- Achten Sie auf Baumstämme, die auf Sie zurollen könnten.



Transport und Lagerung

- Wenn Sie während der Arbeiten Ihren Standort wechseln, schalten Sie die Motorsäge aus und aktivieren Sie Kettenbremse, um ein ungewolltes Anlaufen der Sägekette zu verhindern.
- Tragen oder transportieren Sie die Motorsäge niemals mit laufender Sägekette. Wenn die Säge heiß ist, decken Sie diese nicht (mit einer Plane, Decke, Zeitung o.ä.) ab. Lassen Sie die Säge abkühlen, bevor Sie sie in einen Lagerbehälter oder in ein Fahrzeug legen. Sägen mit Katalysator benötigen eine längere Zeit zum Abkühlen!
- Verwenden Sie während Transport und Lagerung den Kettenschutz.
- Tragen Sie die Motorsäge am vorderen Griff. Die Führungsschiene zeigt dabei nach hinten. Vermeiden Sie Kontakt mit dem Auspuffschalldämpfer (Verbrennungsgefahr).
- Sorgen Sie bei Transport der Motorsäge in einem Fahrzeug für eine sichere Ablage, um das Austreten von Kraftstoff zu vermeiden.
- Lagern Sie die Motorsäge an einem trockenem Platz. Sie darf nicht im Freien aufbewahrt werden. Lagern Sie die Motorsäge sicher vor Kindern.
- Wenn Sie die Motorsäge für einen längeren Zeitraum einlagern oder als Frachtgut versenden möchten, sind die Kraftstoff- und Öltanks vollständig zu leeren.
- Führen Sie vor der Lagerung eine Reinigung und Wartung durch.



Wartung

- Schalten Sie die Motorsäge vor der Durchführung von Wartungsarbeiten stets aus und ziehen Sie die Zündkerze heraus.
- Überprüfen Sie vor Arbeitsbeginn stets die Betriebssicherheit der Motorsäge, insbesondere die Funktion der Kettenbremse. Stellen Sie sicher, dass die Sägekette immer ordnungsgemäß geschärft und gespannt ist.
- Betreiben Sie die Motorsäge nur bei niedrigem Geräusch- und Lärmpegel. Stellen Sie sicher, dass der Vergaser ordnungsgemäß ausgerichtet ist.
- Reinigen Sie die Motorsäge regelmäßig.
- Überprüfen Sie den Tankdeckel regelmäßig auf Dichtheit.
- Beachten Sie die Anweisungen zur Verhinderung von Unfällen, die von Handelsorganisationen und Versicherungsunternehmen herausgegeben werden.
- Nehmen Sie keine technischen Veränderungen an der Motorsäge vor. Sie gefährden sonst Ihre Sicherheit.
- Nehmen Sie nur Wartungs- und Reparaturarbeiten vor, die in der Bedienungsanleitung erläutert sind. Alle darüber hinausgehenden Arbeiten müssen vom Dolmar-Service durchgeführt werden.
- Verwenden Sie ausschließlich Originalersatzteile und Originalzubehör von Dolmar.
- Die Verwendung von nicht originalen Dolmar-Ersatzteilen oder Zubehör sowie von nicht zugelassenen Führungsschienen-/Sägekettenkombinationen oder -längen bringt eine hohe Unfallgefahr mit sich. Für Unfälle und Schäden, die aus der Verwendung von Sägen oder Zubehörteilen resultieren, die nicht zugelassen wurden, übernimmt Dolmar keinerlei Haftung.

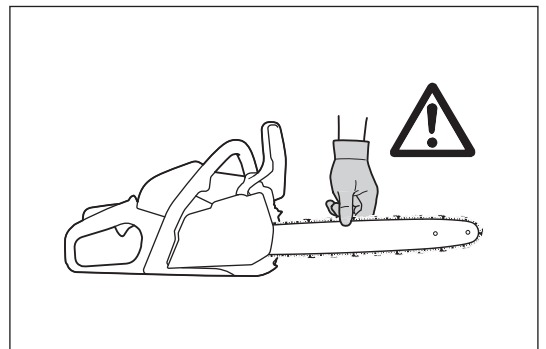


Schwingung

Wenn sich Personen mit Durchblutungsstörungen zu starken mechanischen Schwingungen aussetzen, kann es zu Schädigungen von Blutgefäßen und/oder Nervensystem kommen.

Folgende Symptome können durch Schwingungen an Fingern, Händen oder Handgelenken auftreten: „Einschlafen“ von Körperteilen (Taubheit), Kribbeln, Schmerz, Stechen, Veränderung von Hautfarbe oder Haut.

Falls eines dieser Symptome auftritt, suchen Sie einen Arzt auf! Um das Risiko der „Weißfingerkrankheit“ zu verringern, halten Sie Ihre Hände während des Arbeitens warm, tragen Sie Handschuhe und stellen Sie sicher, dass die Sägekette scharf ist.

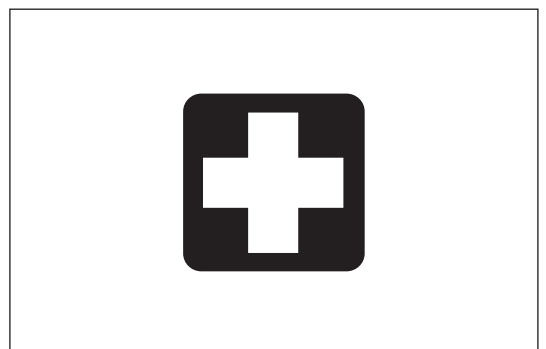


Erste Hilfe

Stellen Sie für den Fall eines Unfalls sicher, dass ein Erste-Hilfe-Kasten in der Nähe des Sägebetriebs verfügbar ist. Ersetzen Sie aus dem Erste-Hilfe-Kasten entnommene Materialien sofort.

Machen Sie folgende Angaben, wenn Sie Hilfe anfordern:

- Ort des Unfalls
- Was ist passiert
- Anzahl der verletzten Personen
- Art der Verletzungen
- Ihr Name



Nur für europäische Länder

EG-Konformitätserklärung

Die EG-Konformitätserklärung liegt dieser Betriebsanleitung als Anhang A bei.

TECHNISCHE DATEN

Modell		PS-352	PS-352 TLC
Gesamtlänge (ohne Führungsschiene)	mm	388	
Nettogewicht	kg	4,2	
Hubraum	cm ³	35,2	
Durchmesser	mm	38	
Hub	mm	31	
Max. Leistung unter Last	kW/min ⁻¹	1,7/10.000	
Max. Drehmoment unter Last	Nm/min ⁻¹	2,0/7.000	
Leerlaufdrehzahl/max. Motordrehzahl mit Schiene und Sägekette	min ⁻¹	2.900/13.500	
Drehzahl Kupplungseingriff	min ⁻¹	4.100	
Vergaser	Typ	Diaphragma	
Zündkerze	Typ	NGK BPMR 8Y	
Elektrodenabstand	mm	0,7	
Volumen Kraftstofftank	cm ³	310	
Fassungsvermögen Kettenöltank	cm ³	260	
Mischungsverhältnis (Kraftstoff : 2-Takt-Motoröl) Dolmar Original-Öl oder Öl der Güteklasse JASO FC (ISO EGC) oder höher		50:1	
Kettenbremse		Automatische Aktivierung bei Rückschlag	
Sägekettendrehzahl	m/s	25,3	
Kettenradneigung	mm (Zoll)	0,95 (3/8)	
Anzahl der Zähne	Z	6	
Schalldruckpegel am Arbeitsplatz L _{PA, eq} gem. ISO 22868 ¹⁾	dB (A)	99	
	K _{PA}	2,5	
Schalleistungspegel L _{WA, FI + Ra} gem. ISO 22868 ²⁾	dB (A)	111	
	K _{WA}	2,5	
Schwingungsbeschleunigung a _{hv, eq} gem. ISO 22867 ¹⁾	Vorderer Griff	m/s ²	3,3
		K	2,0
	Hinterer Griff	m/s ²	3,4
		K	2,0

1) Daten berücksichtigen die Betriebszustände Leerlauf, Vollast und Höchstdrehzahl zu gleichen Teilen.

2) Daten berücksichtigen die Betriebszustände Vollast und Höchstdrehzahl zu gleichen Teilen.

- Aufgrund unserer beständigen Forschungen und Weiterentwicklungen sind Änderungen an den hier angegebenen Technischen Daten ohne Vorankündigung vorbehalten.
- Die Technischen Daten können in den einzelnen Ländern voneinander abweichen.

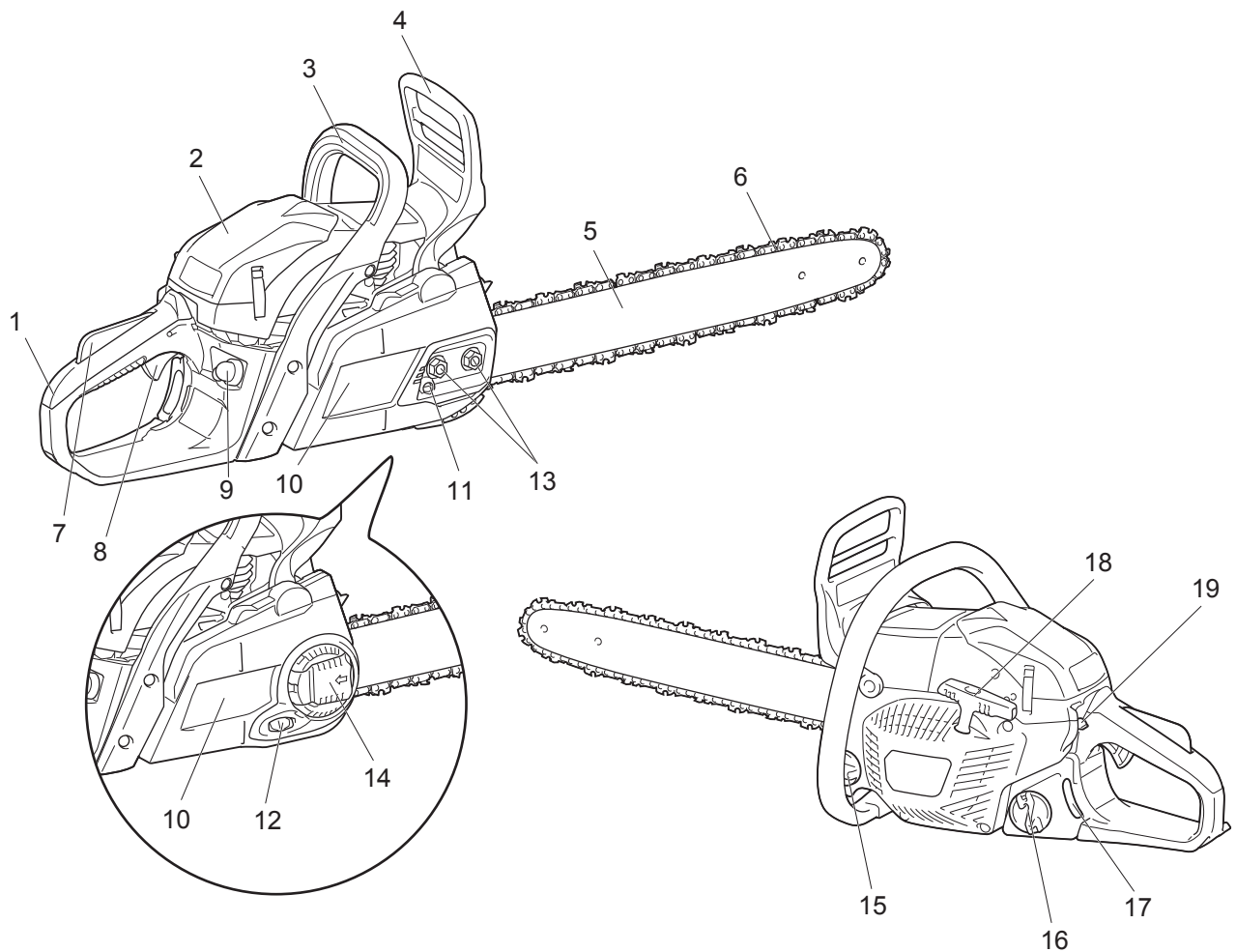
Führungsschiene und Sägekette

Führungsschienentyp		Kettenradschiene	
Länge		350 mm	400 mm
Schnittlänge		325 mm	360 mm
Sägekette	Typ	492 (91PX)	
Teilung		3/8"	
Treibgliedbreite		1,3 mm (0,05")	
Anz. Antriebsverbindungen		52	56

⚠ WARNUNG:

Verwenden Sie eine geeignete Kombination aus Führungsschiene und Sägekette. Anderenfalls kann es zu Verletzungen kommen.

BEZEICHNUNG DER BAUTEILE



	Bezeichnung der Bauteile
1	Hinterer Griff
2	Luftfilterabdeckung
3	Vorderer Griff
4	Vorderer Handschutz
5	Führungsschiene
6	Sägekette
7	Gashebel Arretierung
8	Gashebel
9	Kraftstoffpumpe (Primer)
10	Kettenschutz
11	Sägeketten-Stellschraube
12	Sägeketten-Stellrad
13	Haltemuttern
14	Hebel
15	Öltankdeckel
16	Kraftstoff-Tankdeckel
17	Kraftstoffstandanzeige
18	Startergriff
19	Kombinationsschalter

SICHERHEITSFUNKTION DER MOTORSÄGE

⚠ WARNUNG:

- Die folgenden Sicherheitsfunktionen garantieren KEINEN dauernden Schutz vor Verletzungen. **Nur der richtige Umgang und die richtige Technik können die Gefahr von Rückschlägen und anderen gefährlichen Unfällen verringern.**
- Überprüfen Sie vor jeder Verwendung immer die Sicherheitsfunktionen.
- Falls Sie bei der Überprüfung der Motorsäge mit einem Ergebnis nicht zufrieden sind, schalten Sie den Motor sofort aus und verwenden Sie die Motorsäge NICHT. Wenden Sie sich an ein autorisiertes Dolmar-Servicezentrum.

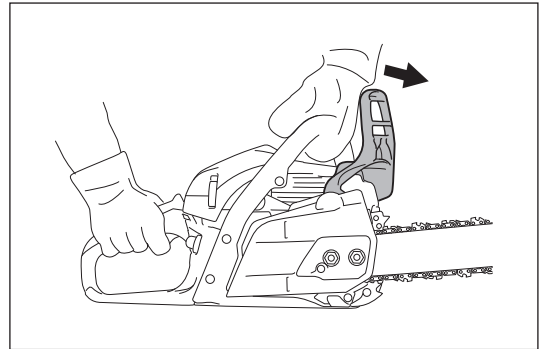
Kettenbremse

Die Kettenbremse dient dazu, die Sägekette im Bruchteil einer Sekunde zum Stillstand zu bringen. Wird aktiviert, wenn der Rückschlag ausreichend stark ist. Um die Kettenbremse manuell zu aktivieren, drücken Sie den vorderen Handschutz mit Ihrer linken Hand nach vorne (in Richtung Spitze der Säge).

Zum Lösen der Kettenbremse, ziehen Sie den vorderen Handschutz zurück (in Ihre Richtung).

HINWEIS:

- Erhöhen Sie bei betätigter Kettenbremse nicht die Motordrehzahl (außer zu Testzwecken).
- Lösen Sie die Kettenbremse stets, bevor Sie die Motorsäge in Betrieb nehmen.



Überprüfen der Kettenbremse

1. Bringen Sie den Motor in den Leerlauf.
2. Halten Sie die Motorsäge mit beiden Händen fest. Halten Sie die rechte Hand am hinteren Griff und die linke Hand am vorderen Griff. Vergewissern Sie sich, dass die Führungsschiene und die Sägekette nicht mit Gegenständen in Berührung kommen.
3. Drücken Sie den vorderen Handschutz mit dem Handrücken nach vorne, bis sich die Kettenbremse aktiviert.
4. Beschleunigen Sie, bis der Motor für weniger als 3 Sekunden volle Leistung erreicht. Vergewissern Sie sich, dass die Sägekette völlig unbewegt bleibt.
5. Bringen Sie den Motor zurück in den Leerlauf und lösen Sie die Kettenbremse.

Überprüfen des Bremsbandes

Das Bremsband befindet sich auf der Rückseite des Kettenschutzes. Die Kettenbremse nutzt sich im Lauf der Zeit ab. Lassen Sie sie daher mindestens alle 3 Monate bei einem autorisierten Dolmar-Servicecenter überprüfen und warten.

Gashebel-Arretierung

Die Gashebel-Arretierung dient zur Vermeidung eines unbeabsichtigten Motorstarts. Sie können den Gashebel nur ziehen, wenn die Gashebel-Arretierung gedrückt ist (d.h. wenn Sie den Griff umfassen).

Überprüfen der Gashebel-Arretierung

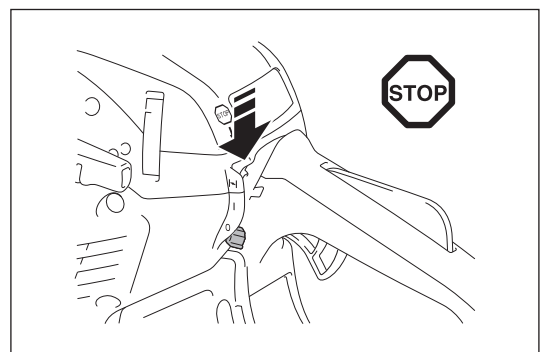
Überprüfen Sie, ob die Gashebel-Arretierung in ihre Ausgangsposition zurückkehrt, nachdem Sie Ihre Hand vom hinteren Griff gelöst haben.

Anhalten des Motors

Vergewissern Sie sich, dass der Motor anhält, wenn Sie es beabsichtigen.

Überprüfen des Motor-Stopps

Starten Sie den Motor. Lassen Sie dann den Gashebel los und drücken Sie den Kombinationsschalter in die untere Position (O).

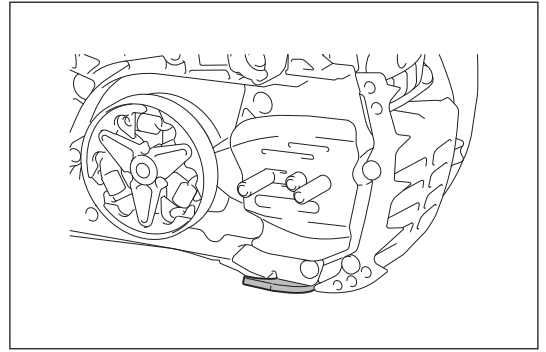


Kettenfänger

Der Kettenfänger dient dazu, die Kette aufzufangen, falls die Sägekette von der Führungsschiene abspringt. Die Sägekette sollte nicht springen sofern sie richtig gespannt ist. Überprüfen und korrigieren Sie stets die Spannung der Sägekette gemäß der Anweisungen in dieser Betriebsanleitung.

Überprüfen des Kettenfängers

Vergewissern Sie sich, dass der Kettenfänger nicht beschädigt ist und sicher auf dem Gehäuse sitzt.



MONTAGE

⚠ WARNUNG:

- Schalten Sie vor allen Arbeiten an der Führungsschiene oder Sägekette den Motor aus und vergewissern Sie sich, dass das Schneidwerkzeug zum Stillstand gekommen ist.
- Tragen Sie immer Schutzhandschuhe.

⚠ ACHTUNG:

- Schalten Sie die Motorsäge nur ein, nachdem Sie diese vollständig zusammengesetzt und überprüft haben.

Montieren der Führungsschiene und Sägekette

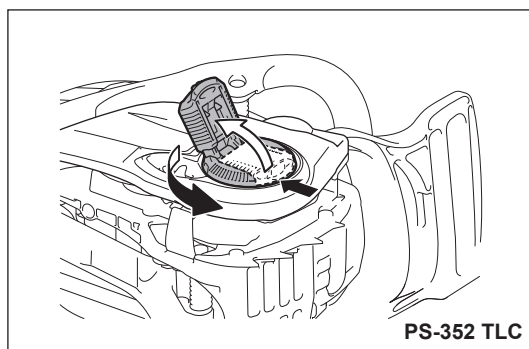
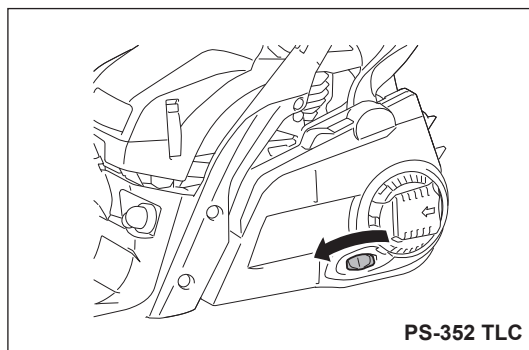
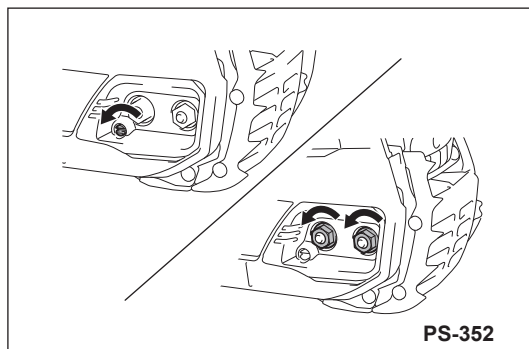
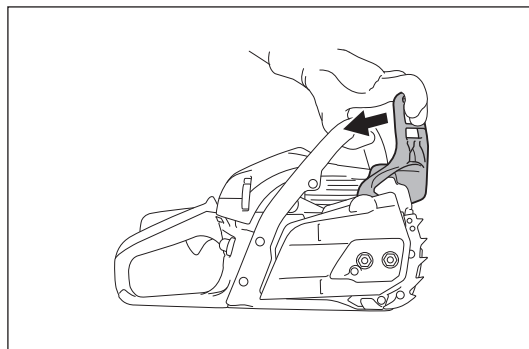
HINWEIS:

- Die Montage oder Demontage der Sägekette sollte an einem sauberen Ort, frei von Sägespänen und ähnlichen Fremdkörpern, erfolgen.
- Platzieren Sie die Motorsäge auf einer stabilen Fläche und führen Sie die folgenden Montageschritte durch:

1. Lösen Sie die Kettenbremse, indem Sie den vorderen Handschutz nach hinten ziehen.
2. Lösen Sie die Kettenspannung vollständig.
3. (Für Modell PS-352) Lösen Sie die Haltemuttern.
(Für Modell PS-352 TLC) Drücken und öffnen Sie den Hebel vollständig bis zum Anschlag. Drehen Sie den Hebel gegen den Uhrzeigersinn.
4. Entfernen Sie den Kettenschutz.

HINWEIS:

- Sie können den Kettenschutz nicht entfernen, ohne die Kettenbremse zu lösen.



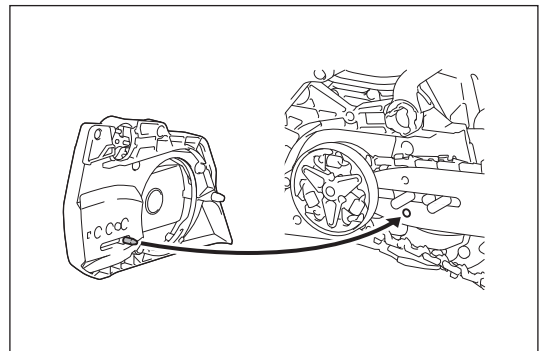
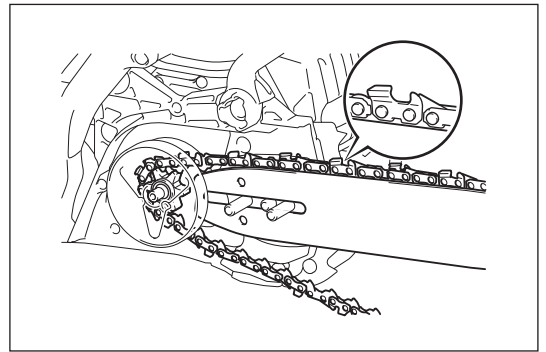
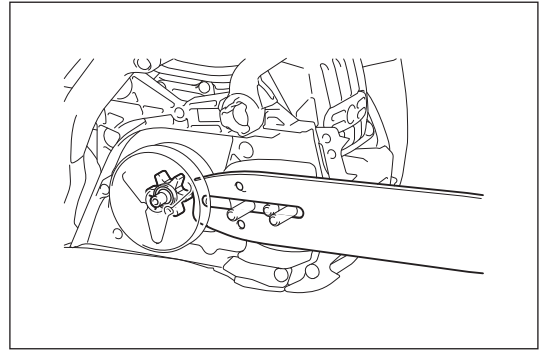
5. Setzen Sie die Führungsschiene auf die Schienenschrauben.
6. Achten Sie auf die Laufrichtung der Sägekette. Die Pfeile auf der Sägekette müssen in dieselbe Richtung zeigen, wie der Pfeil auf dem Sägegehäuse.
7. Legen Sie die Sägekette zuerst um das Kettenrad und dann um die Spitze der Führungsschiene.
8. Setzen Sie den Kettenschutz auf, wenn sich der Einstellring auf der Öffnung der Führungsschiene befindet.

HINWEIS:

- Heben Sie die Sägekette über den Kettenfänger.
9. (Für Modell PS-352) Ziehen Sie die Haltemuttern fest, um den Kettenschutz zu sichern. Lösen Sie sie dann ein wenig, um die Spannung einzustellen. (Für Modell PS-352 TLC) Drehen Sie den Hebel im Uhrzeigersinn, um den Kettenschutz zu sichern. Lösen Sie ihn dann ein wenig, um die Spannung einzustellen.
 10. Stellen Sie die Kettenspannung ein. (Siehe Abschnitt „Einstellen der Kettenspannung“ Schritt 3 und folgende.)

HINWEIS:

- Damit die Führungsschiene nicht einseitig abgenutzt wird, wenden Sie sie bei jedem Austauschen der Sägekette.



Einstellen der Kettenspannung

⚠ ACHTUNG:

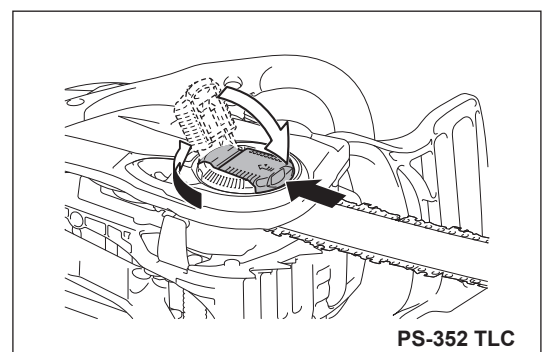
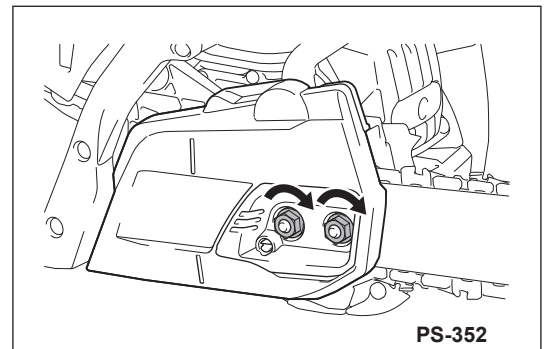
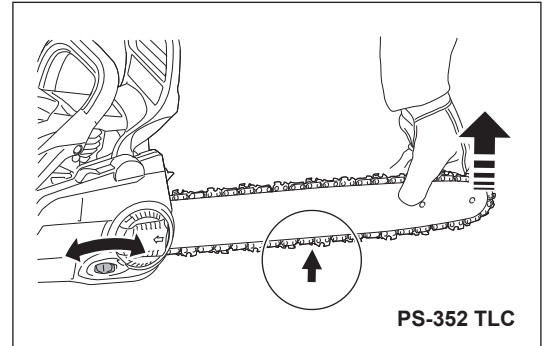
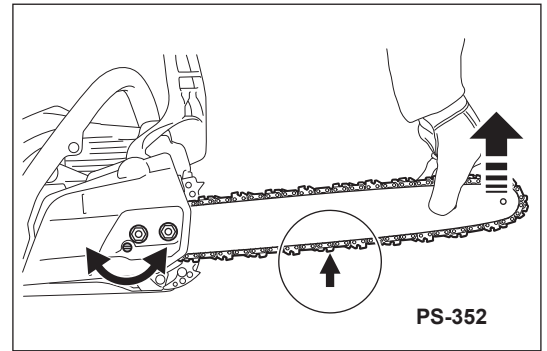
- Eine zu lockere Sägekette kann abspringen und stellt deshalb ein Unfallrisiko dar. Falls die Sägekette zu locker ist, stellen Sie die Spannung ein.
- Eine übermäßig hohe Sägekettenspannung kann zur Beschädigung der Sägekette, zum Verschleiß der Führungsschiene und zum Bruch der Stellschraube bzw. des Stellrads führen.

Die Sägekette kann nach vielen Betriebsstunden locker werden. Wenn Sie die Sägekette austauschen oder nach einigen Betriebsstunden, überprüfen Sie vor der weiteren Verwendung die Spannung der Sägekette. Eine richtig eingestellte Sägekette trägt zu einer guten Leistung und langen Lebensdauer des Werkzeugs bei.

Die Spannung der Sägekette ist korrekt, wenn die Sägekette an der Unterseite der Führungsschiene anliegt und immer noch leicht von Hand gedreht werden kann. Überprüfen Sie die Kettenspannung regelmäßig - neue Ketten werden bei Gebrauch meist etwas länger.

Führen Sie zum Einstellen der Sägekettenspannung die folgenden Schritte durch:

1. Lösen Sie die Kettenbremse, indem Sie den vorderen Handschutz nach hinten ziehen.
2. (Für Modell PS-352) Lösen Sie die Haltemuttern ein wenig, um den Kettenschutz zu lösen.
(Für Modell PS-352 TLC) Drücken und öffnen Sie den Hebel vollständig bis zum Anschlag. Drehen Sie den Hebel ein wenig gegen den Uhrzeigersinn, um den Kettenschutz zu lösen.
3. Heben Sie die Spitze der Führungsschiene leicht an und halten Sie sie in dieser Position.
4. (Für Modell PS-352) Drehen Sie die Sägeketten-Stellschraube, um die Sägekettenspannung einzustellen.
(Für Modell PS-352 TLC) Drehen Sie das Sägeketten-Stellrad, um die Sägekettenspannung einzustellen.
5. Stellen Sie die Kettenspannung ein, bis die Unterseite der Sägekette in die Führungsschiene passt (siehe Kreis in der Abbildung). Halten Sie die Spitze der Führungsschiene während des Einstellens der Kettenspannung weiterhin horizontal.
6. Halten Sie die Führungsschiene weiterhin leicht fest und ziehen Sie nach dem Einstellen der Kettenspannung den Kettenschutz fest.
(Für Modell PS-352) Ziehen Sie an den Haltemuttern, um den Kettenschutz zu sichern.
(Für Modell PS-352 TLC) Drehen Sie den Hebel vollständig im Uhrzeigersinn, um den Kettenschutz zu sichern.
7. Vergewissern Sie sich, dass sich die Sägekette an der Unterseite nicht löst, sondern dass sie eng an der Unterseite der Führungsschiene anliegt.



VOR DER VERWENDUNG

⚠️ WARNUNG:

- VERMEIDEN SIE HAUT- UND AUGENKONTAKT. Mineralölerzeugnisse wirken hautentfettend. Wenn Ihre Haut über längere Zeit wiederholt mit derartigen Substanzen in Kontakt kommt, trocknet die Haut aus. Dies kann verschiedenste Hautkrankheiten zur Folge haben. Außerdem wurde von allergischen Reaktionen berichtet. Bei Kontakt mit Öl können Augenirritationen auftreten. Falls Öl in Ihre Augen gelangt, spülen Sie die Augen sofort mit klarem Wasser. Falls die Augenirritationen anhalten, suchen Sie sofort einen Arzt auf.

Kraftstoff

⚠️ ACHTUNG:

- Seien Sie beim Umgang mit Benzin besonders vorsichtig.
- Rauchen Sie nicht. Halten Sie das Werkzeug von offenen Flammen, Funken oder Feuer fern (Explosionsgefahr).

Kraftstoffgemisch

Dieses Werkzeug wird von einem luftgekühlten Zwei-Takt-Hochleistungs--Motor angetrieben. Dieser wird mit einem Gemisch aus Benzin und Zwei-Takt-Motorenöl betrieben.

Der Motor ist für unverbleites Normalbenzin mit einer Mindestoktanzahl von 91 RON (89 AKI) und einem Ethanolgehalt von höchstens 10% ausgelegt. Ist dieser Kraftstoff nicht verfügbar, können Sie einen Kraftstoff mit höherer Oktanzahl verwenden. Der Motor wird dadurch nicht beeinträchtigt.

Verwenden Sie nur bleifreien Kraftstoff, um eine optimale Motorleistung zu erreichen und um Ihre Gesundheit und die Umwelt zu schützen.

Verwenden Sie zur Schmierung des Motors synthetisches Öl für luftgekühlte Zwei-Takt-Motoren (Dolmar Original-Öl oder Öl der Güteklasse JASO FC (ISO EGC) oder höher). Mischen Sie das Motoröl mit dem Kraftstoff.

⚠️ ACHTUNG:

- Verwenden Sie keinen vorgemischten Kraftstoff von Tankstellen. Das korrekte Mischungsverhältnis: 50:1 d.h. Mischung von 50 Teilen Benzin mit 1 Teil Öl.

HINWEIS:

- Mischen Sie zur Bereitung des Kraftstoff-Öl-Gemischs zuerst die gesamte Ölmenge mit der Hälfte des erforderlichen Kraftstoffs, und fügen Sie anschließend den restlichen Kraftstoff hinzu. Mischen Sie das Gemisch durch Schütteln gut durch, bevor Sie es in den Tank der Motorsäge einfüllen.

Geben Sie nicht mehr Motoröl hinzu als angegeben. Ein falsches Öl-mischungsverhältnis führt zur Erzeugung einer größeren Menge von schädlichen Verbrennungsrückständen. Es führt außerdem zur Verstopfung der Auspuffkanäle im Zylinder und Auspuffschalldämpfer sowie zu einer mangelhaften Leistung und übermäßigem Kraftstoffverbrauch.

Aufbewahrung von Kraftstoffen

Kraftstoffe können nur eine begrenzte Zeit lang aufbewahrt werden. Kraftstoffmischungen altern durch Verdunstung, insbesondere bei hohen Temperaturen. Gealterte Kraftstoffe und Kraftstoffmischungen können zu Startproblemen und zu Schäden am Motor führen. Kaufen Sie nur so viel Kraftstoff, wie Sie in den kommenden Monaten verbrauchen werden. Bei hohen Temperaturen sollte der Kraftstoff nach dem Mischen innerhalb von 6-8 Wochen aufgebraucht werden.

Bewahren Sie Kraftstoff nur in geeigneten Behältern an trockenen, kühlen und sicheren Orten auf.

Sägekettenöl

Verwenden Sie zum Schmieren der Sägekette und Führungsschiene Öl mit Klebstoffzusatz. Der Klebstoffzusatz verhindert, dass das Öl zu schnell von der Sägekette geschleudert wird.

Wir empfehlen zum Schutz der Umwelt die Verwendung von Original-Kettenöl von Dolmar oder biologisch abbaubares Kettenöl. Die Verwendung von biologisch abbaubarem Öl ist möglicherweise sogar durch geltende Gesetze und Bestimmungen vorgeschrieben.

Biologisch abbaubares Öl ist nur in einem begrenzten Zeitraum stabil. Verbrauchen Sie es innerhalb von 2 Jahren ab Herstellungsdatum (auf der Verpackung aufgedruckt).

Wichtiger Hinweis zu biologisch abbaubaren Kettenölen

Wenn Sie die Säge längere Zeit nicht benutzen möchten, leeren Sie den Öltank und füllen Sie eine geringe Menge an herkömmlichem Motorenöl (SAE 30) ein und lassen Sie die Säge anschließend eine kurze Zeit laufen. Dies ist notwendig, um das verbliebene biologisch abbaubare Öl aus Tank und Ölsystem und von Kette und Führungsschiene zu entfernen, da die meisten derartigen Öle dazu neigen, mit der Zeit klebrige Rückstände zu bilden, durch die Ölpumpe und andere Teile beschädigt werden können.

VERWENDEN SIE NIEMALS ALTÖL

Altöl ist extrem umweltschädlich.

Altöl enthält hohe Mengen an krebserzeugenden Substanzen.

Rückstände im Altöl führen zu extremem Verschleiß und Abnutzung der Ölpumpe und der Säge.

Schäden, die durch das Verwenden von Altöl oder ungeeignetem Kettenöl entstanden sind, fallen nicht unter die Produktgarantie und die Produktgarantie geht verloren.

Betanken und Nachfüllen von Kettenöl

⚠️ WARNUNG:

- TREFFEN SIE DIE SICHERHEITSVORKEHRUNGEN. Seien Sie beim Umgang mit Kraftstoffen vorsichtig.
- Schalten Sie den Motor aus.

⚠️ ACHTUNG:

- Reinigen Sie nach dem Betanken den Tankdeckel und den Bereich um den Tank. Führen Sie das Betanken und Nachfüllen von Kettenöl folgendermaßen durch:
 1. Reinigen Sie den Bereich um die Tankdeckel gründlich, um das Eindringen von Schmutz in den Kraftstoff- oder Öltank zu vermeiden.
 2. Schrauben Sie den Deckel ab und befüllen Sie jeden Tank mit Kraftstoff (Kraftstoff/Öl-Mischung) bzw. Kettenöl.
 3. Füllen Sie den Tank bis zur Unterkante des Einfüllstutzens. Achten Sie darauf, keinen Kraftstoff oder Kettenöl zu verschütten.
 4. Ziehen Sie die Tankdeckel so weit wie möglich von Hand fest.

Schmieren der Sägekette

⚠️ WARNUNG:

- Überprüfen Sie den Kettenöl-Tank nur bei ausgeschaltetem Motor. Vergewissern Sie sich, dass im Kettenöl-Tank eine ausreichende Menge Kettenöl vorhanden ist, um während des Betriebs eine gute Kettenschmierung zu gewährleisten. Bei einer mittleren Zufuhr rate entspricht das Fassungsvermögen des Öltanks etwa der Laufzeit mit einem Kraftstofftank. Überprüfen Sie vor dem Betrieb oder Betanken den Kettenölstand und füllen Sie bei Bedarf nach.

Einstellen der Kettenschmierung

⚠️ WARNUNG:

- Schalten Sie den Motor aus. An der Stellschraube können Sie die Ölpumpenzufuhr einstellen. Die Ölpumpe kann auf drei Zufuhrgrade eingestellt werden, nämlich hoch, mittel und niedrig. Die Stellschraube befindet sich an der Unterseite der Motorsäge. Verwenden Sie einen Schraubendreher, um die Menge der Ölzufuhr passend einzustellen.

Reinigen der Ölführung

Um einen sicheren Betrieb der Ölpumpe zu gewährleisten, reinigen Sie die Ölführungsnut und die Öleintrittsbohrung der Führungsschiene in regelmäßigen Abständen.

Überprüfen der Kettenschmierung

⚠️ ACHTUNG:

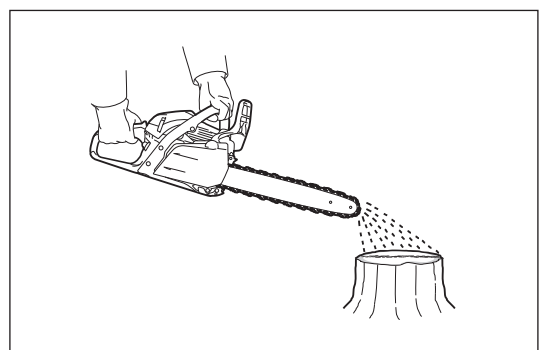
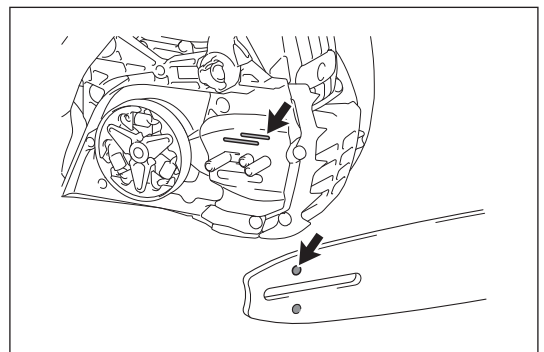
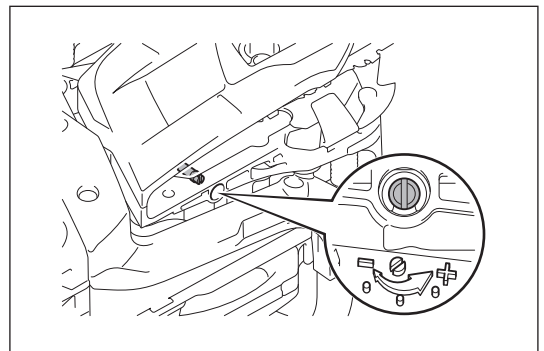
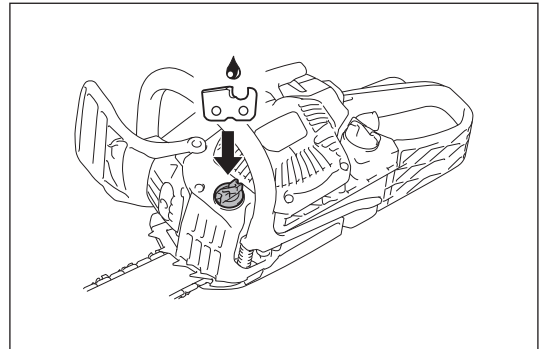
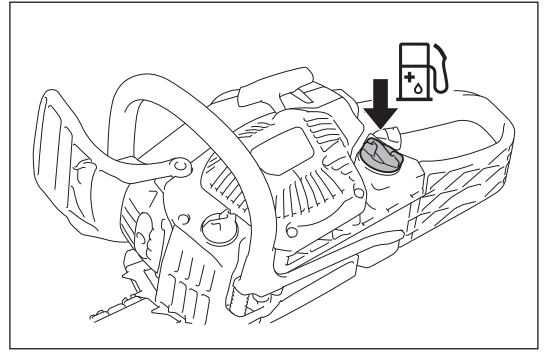
- Arbeiten Sie niemals mit der Motorsäge ohne eine ausreichende Kettenschmierung. Anderenfalls verringern sich die Lebensdauer der Sägekette und der Führungsschiene.
- Überprüfen Sie vor Arbeitsbeginn den Ölstand im Tank und die Ölzufuhr.
- Achten Sie auf die Windrichtung und vermeiden Sie, dass Sie sich unnötig dem Ölaerosol aussetzen.

So prüfen Sie die Ölzufuhr:

1. Starten Sie die Motorsäge.
2. Halten Sie die laufende Motorsäge ca. 15 cm über einen Baumstamm oder über den Boden (geeignete Fläche auswählen).
3. Ist die Schmierung ausreichend, kann man eine leichte Ölspur erkennen, da Öl von der Sägekette spritzt.

HINWEIS:

- Nach dem Ausschalten der Motorsäge ist es normal, dass für eine Weile Reste von Kettenöl aus dem Ölleitungssystem, von der Führungsschiene und der Sägekette tropfen. Dies weist nicht auf einen Defekt hin. Stellen Sie die Säge auf einer geeigneten Fläche ab.



STARTEN UND STOPPEN DES MOTORS

⚠️ WARNUNG:

- Starten Sie den Motor erst, wenn die Motorsäge vollständig zusammengesetzt und überprüft worden ist.

⚠️ ACHTUNG:

- Entfernen Sie sich mindestens 3 Meter von dem Ort, an dem die Motorsäge aufgetankt wurde.
- Achten Sie auf einen sicheren Stand und legen Sie die Säge auf den Boden.
- Vergewissern Sie sich, dass die Führungsschiene und die Sägekette keine Gegenstände berühren.
- Vergessen Sie nicht, vor dem Motorstart die Kettenbremse zu aktivieren.

HINWEIS:

- Ziehen Sie das Starterseil niemals ganz heraus.
- Führen Sie den Startergriff langsam ins Gehäuse zurück. Anderenfalls kann ein losgelassener Startergriff Sie treffen oder sich nicht wieder richtig aufspulen.
- Der Motor muss unmittelbar nach dem Starten in den Leerlauf gebracht werden. Anderenfalls kann die Kupplung beschädigt werden, wenden Sie sich an ein autorisiertes Servicecenter.

Starten des Motors

1. Aktivieren Sie die Kettenbremse (Arretierung).
2. Halten Sie den vorderen Griff mit der linken Hand fest und drücken Sie die Motorsäge gegen den Boden.
3. Halten Sie den hinteren Handschutz mit Ihrem rechten Fuß am Boden.
4. Starten Sie den Motor je nach Motorzustand folgendermaßen:

Kaltstart

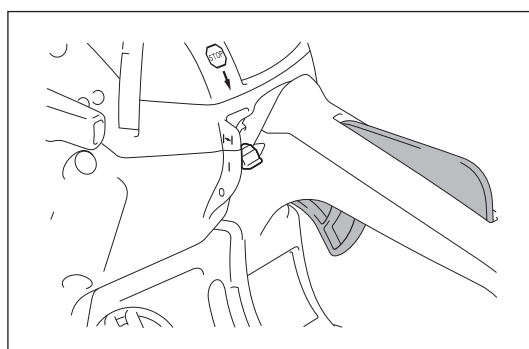
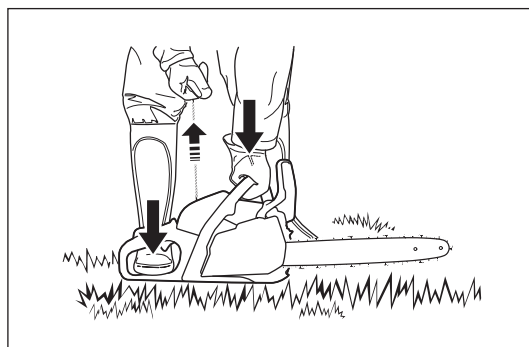
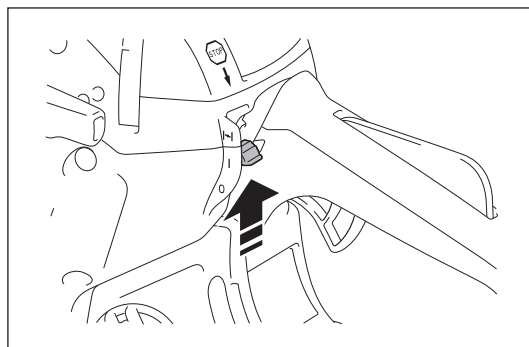
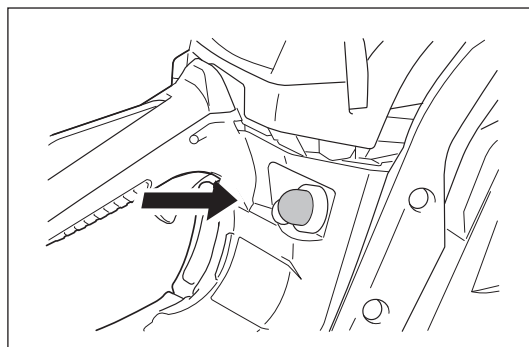
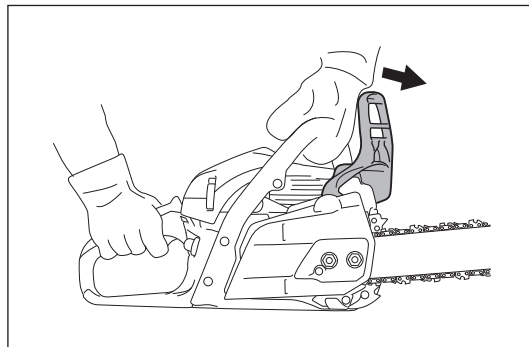
Wenn der Motor kurz vor dem Starten noch nicht verwendet wurde, führen Sie die folgenden Schritte aus:

1. Drücken Sie die Anlasseinspritzpumpe mehrere Male, bis Kraftstoff in die Anlasseinspritzpumpe eintritt. (Normalerweise reichen 7 bis 10 Betätigungen.)
2. Bewegen Sie den Kombinationsschalter nach oben (Choke-Position). Dies betätigt gleichzeitig die Halbgassperre.
3. Ziehen Sie den Startergriff langsam, bis Sie eine Komprimierung spüren. Ziehen Sie dann stark. Es ist normal, wenn der Motor erst nach drei bis vier Versuchen startet.
4. Sobald der Motor zündet, bewegen Sie den Kombinationsschalter in die mittlere Position (I). Ziehen Sie den Startergriff dann noch einmal stark, bis der Motor anläuft.
5. Erfassen Sie den hinteren Griff (Die Gashebel-Arretierung wird durch das Greifen gelöst) und ziehen Sie den Gashebel ein wenig und lassen Sie ihn dann los.
6. Lösen Sie die Kettenbremse.

Warmstart

Wenn der Motor kurz vor dem Starten bereits verwendet wurde und noch warm ist, führen Sie die folgenden Schritte aus:

1. Drücken Sie die Anlasseinspritzpumpe mehrere Male, bis Kraftstoff in die Anlasseinspritzpumpe eintritt. (Normalerweise reichen 7 bis 10 Betätigungen.)
2. Bewegen Sie den Kombinationsschalter nach oben (Choke-Position) und dann zurück in die mittlere Position (I).
3. Ziehen Sie den Startergriff langsam, bis Sie eine Komprimierung spüren. Ziehen Sie dann stark. Es ist normal, wenn der Motor erst nach drei bis vier Versuchen startet. Falls der Motor nicht startet, führen Sie die Schritte für einen Kaltstart durch (siehe Abschnitt „Kaltstart“).
Sobald der Motor anläuft, erfassen Sie den hinteren Griff (Die Gashebel-Arretierung wird durch das Greifen gelöst) und ziehen Sie den Gashebel ein wenig und lassen Sie ihn dann los.
4. Lösen Sie die Kettenbremse.

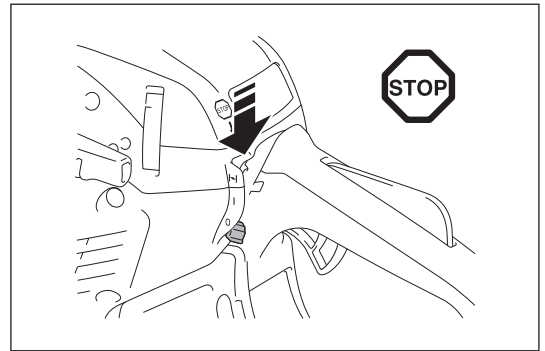


Stoppen des Motors

Lassen Sie den Gashebel los und drücken Sie den Kombinationsschalter in die untere Position (O).

Der Kombinationsschalter kehrt automatisch in die Position (I) zurück. Der Motor hält mit diesem Schalter in der Off-Position an, ist jedoch startbereit.

Um den Zündstrom zu unterbrechen, drücken Sie den Kombinationsschalter über den Widerstandspunkt ganz nach unten, um ihn in der Position (O) zu verriegeln.



Einstellen der Leerlaufdrehzahl

⚠ WARNUNG:

- Stellen Sie die Leerlaufdrehzahl erst ein, wenn die Motorsäge vollständig zusammengesetzt und überprüft worden ist.
- Falls sich die Sägekette auch nach dem Einstellen der Leerlaufdrehzahl noch im Leerlauf bewegt, unterbrechen Sie Ihre Arbeit mit der Motorsäge sofort und bringen Sie sie zu einem autorisierten Dolmar-Servicecenter zur Reparatur.

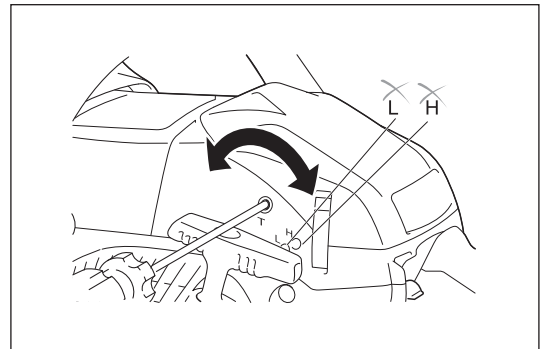
⚠ ACHTUNG:

- Nehmen Sie keine Einstellungen an den Schrauben (H) und (L) in der Darstellung vor.

Falls sich die Sägekette im Leerlauf bewegt, ohne dass der Gashebel betätigt wird, muss die Leerlaufgeschwindigkeit eingestellt werden.

Stellen Sie die Leerlaufgeschwindigkeit folgendermaßen ein:

1. Starten Sie den Motor und wärmen Sie ihn drei oder vier Minuten lang vor, aber bringen Sie ihn nicht auf eine hohe Drehzahl.
2. Um die Leerlaufdrehzahl zu verringern, drehen Sie die Stellschraube gegen den Uhrzeigersinn.
3. Um die Leerlaufdrehzahl zu erhöhen, drehen Sie die Stellschraube im Uhrzeigersinn.
4. Vergewissern Sie sich, dass die Sägekette im Leerlauf völlig unbewegt bleibt.



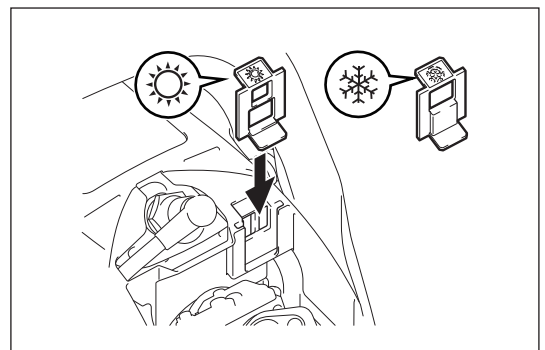
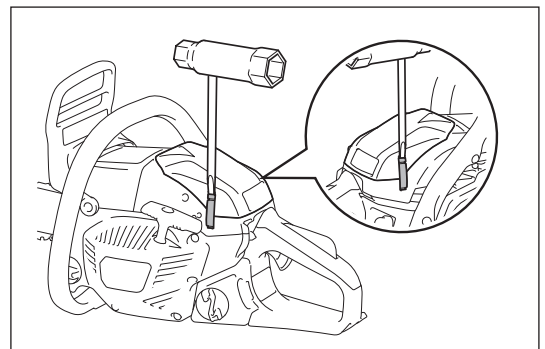
Vermeiden von Vergaservereisung

HINWEIS:

- Wenn die Umgebungstemperatur höher als 5°C ist, stellen Sie den Verschluss immer zurück auf Normaleinstellung (Sonnensymbol). Anderenfalls kann der Motor durch Überhitzung beschädigt werden.

Wenn die Umgebungstemperatur niedrig (0°C - 5°C) und die Luftfeuchtigkeit hoch ist, kann Wasserdampf im Vergaser gefrieren und der Motor läuft unruhig (Vergaservereisung). Ändern Sie die Verschlusseinstellung bei Bedarf folgendermaßen:

1. Öffnen Sie die Luftfilterabdeckung.
2. Nehmen Sie den Verschluss heraus.
3. Setzen Sie den Verschluss in die Anti-Ice-Position (Schneesymbol).
4. Setzen Sie die Luftfilterabdeckung wieder auf.



⚠️ WARNUNG:

- Vergewissern Sie sich, dass die Motorsäge ausgeschaltet ist und der Motor steht. Ziehen Sie den Zündkerzenstecker von der Zündkerze, bevor Sie Wartungs- oder Inspektionsarbeiten durchführen.
- Warten Sie, bis der Motor abgekühlt ist, bevor Sie Wartungsarbeiten durchführen.
- Tragen Sie immer Schutzhandschuhe.
- Starten Sie die Motorsäge nur dann, wenn Sie diese vollständig zusammengebaut und überprüft wurde.
- Halten Sie die Motorsäge von offenen Flammen fern und rauchen Sie nicht.

⚠️ ACHTUNG:

- Um die SICHERHEIT und ZUVERLÄSSIGKEIT des Produkts zu gewährleisten, müssen alle Reparaturen, Wartungs- oder Einstellungsarbeiten, die nicht in dieser Anleitung enthalten sind, von autorisierten Dolmar-Servicecentern durchgeführt werden. Verwenden Sie ausschließlich Ersatzteile von Dolmar.

Schärfen der Sägekette

Unter den folgenden Umständen muss die Kette geschärft werden:

- Splitter, die beim Sägen entstehen, sehen wie Sägespäne aus.
- Die Sägekette dringt nur bei starkem Druck in das Holz ein.
- Die Schneiden sind sichtbar beschädigt.
- Die Säge zieht beim Sägen im Holz einseitig nach links oder rechts. Dies wird durch ungleichmäßiges Schärfen der Sägekette verursacht.

HINWEIS:

- Schärfen Sie die Kette regelmäßig, jedoch mit mäßigem Materialabtrag. Im Allgemeinen reichen drei oder vier Striche mit der Feile aus.
- Nachdem Sie die Kette bereits mehrere Male selbst geschärft haben, lassen Sie die Kette in einem Servicecenter neu schärfen.

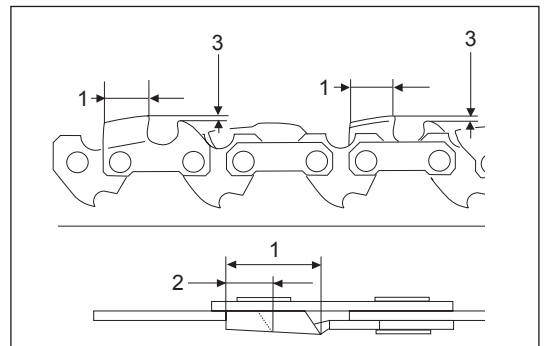
Richtiges Schärfen

⚠️ ACHTUNG:

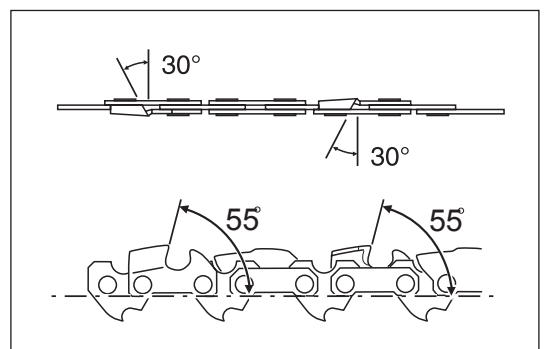
- Verwenden Sie ausschließlich nur solche Sägeketten und Führungsschienen, die für diese Säge ausgelegt sind.
- Eine zu große Tiefe (3) erhöht die Gefahr von Rückschlägen.

Schärfekriterien (für Sägekette 492 (91PX))

- Halten Sie alle Schneidzähne (1) auf der Sägekette auf derselben Länge. Schneidzähne unterschiedlicher Länge führen zu einem unruhigen Lauf der Sägekette und können zu Rissen in der Sägekette führen.
- Mindestlänge der Schneidzähne (2): 4 mm. Schärfen Sie die Kette nicht, wenn die Länge der Schneidzähne 4 mm unterschreitet. Tauschen Sie stattdessen die Sägekette aus.
- Die Tiefe des Schnitts (3) wird durch den vertikalen Abstand zwischen Tiefenanschlag (runde Nase) und Schneidzahnoberkante bestimmt.
- Die besten Ergebnisse werden bei einer Tiefe von 0,64 mm erzielt.

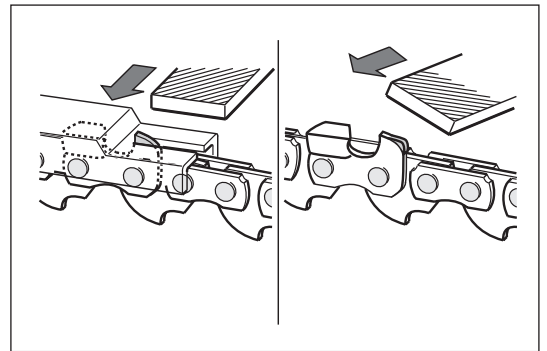
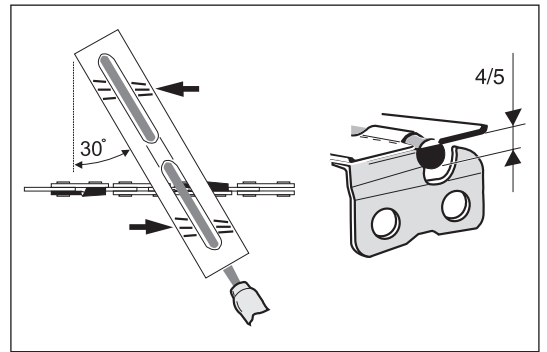
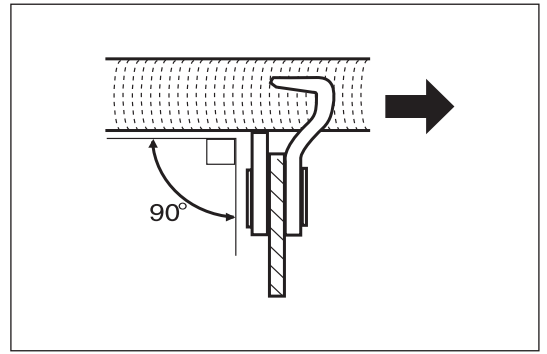


- Halten Sie alle Schneidzähne auf einem Winkel von 30°.
- Verwenden Sie eine geeignete Rundfeile, damit der richtige Schräfwinkel von 55° gegen den Schneidzahn beibehalten wird.
- Schärfen Sie die Schneidzähne mit dem richtigen Winkel. Anderernfalls kann es zu einem rauen und unregelmäßigen Lauf der Sägekette kommen, was zu verstärktem Verschleiß und Beschädigung der Sägekette führt.



Feilen und Feilenführung

- Verwenden Sie für das Schärfen eine spezielle Rundfeile für Sägeketten (Sonderzubehör). Normale Rundfeilen sind nicht geeignet.
- Verwenden Sie die Rundfeile mit einem Durchmesser von 4,0 mm.
- Die Feile sollte nur im Vorwärtsstrich in den Schneidzahn greifen. Beim Zurückführen die Feile vom Schneidzahn abheben.
- Schärfen Sie den kürzesten Schneidzahn zuerst. Dann wird die Länge des kürzesten Schneidzahns zum Richtwert für alle anderen Schneidzähne auf der Sägekette.
- Führen Sie die Feile wie in der Abbildung dargestellt.
- Ein Feilenhalter (optionales Zubehör) erleichtert die Feilenführung. Der Feilenhalter besitzt Markierungen für den korrekten Schärfwinkel von 30° . Richten Sie bei der Verwendung des Feilenhalters die Markierungen parallel zur Sägekette aus und begrenzen Sie die Eindringtiefe auf $4/5$ des Feilendurchmessers.
- Nach dem Schärfen der Sägekette die Schnitttiefe mit der Kettenmesslehre (optionales Zubehör) prüfen.
- Entfernen Sie kleine Überstände mit einer Spezial-Flachfeile (optionales Zubehör).
- Runden Sie den Tiefenanschlag vorne ab.



Reinigen der Innenseite des Kettenschutzes

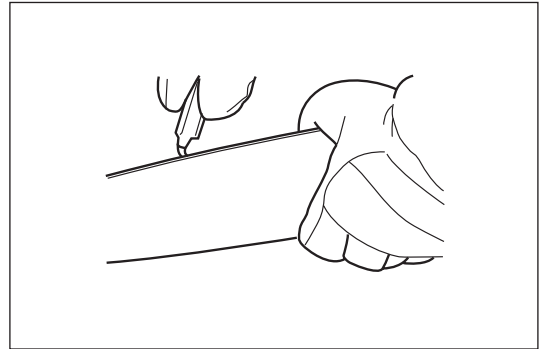
Nehmen Sie den Kettenschutz, die Sägekette und die Führungsschiene ab. Reinigen Sie die Innenseite des Kettenschutzes mit einem Pinsel.

HINWEIS:

Vergewissern Sie sich, dass sich keine Rückstände oder Fremdkörper in der Ölführungsnut, dem Kettenspannstift und dem Bremsband befinden.

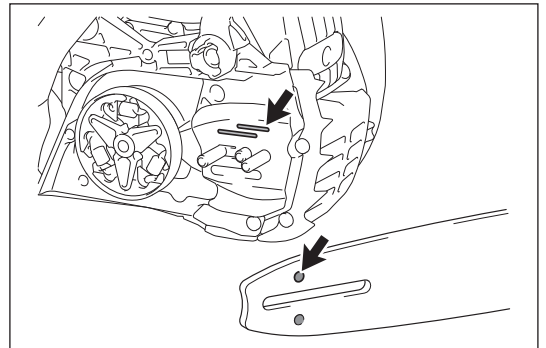
Reinigen Sie die Führungsschiene

Die Laufflächen der Schiene regelmäßig auf Beschädigungen überprüfen. Reinigen Sie diese mit einem geeigneten Werkzeug.



Reinigen der Ölführung

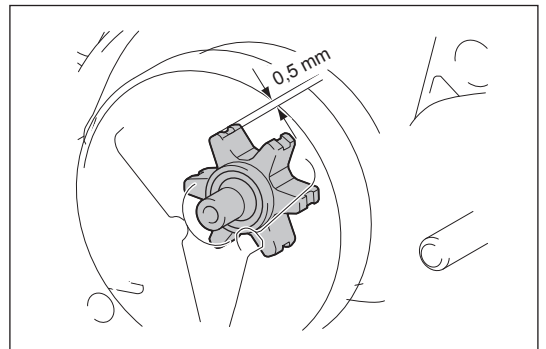
Reinigen Sie die Ölführungsnut und die Öleintrittsbohrung der Führungsschiene in regelmäßigen Abständen.



Überprüfen des Kettenrads

⚠ ACHTUNG:

Ein abgenutztes Kettenrad führt an einer neuen Sägekette zu Beschädigungen. Verwenden Sie keine neue Sägekette mit einem abgenutzten Kettenrad. Überprüfen Sie das Kettenrad vor der Montage einer neuen Sägekette. Wenden Sie sich zur Reparatur an ein autorisiertes Dolmar-Servicecenter, falls Defekte vorliegen oder das Kettenrad mehr als 0,5 mm abgenutzt ist.



Reinigen des Luftfilters

⚠ ACHTUNG:

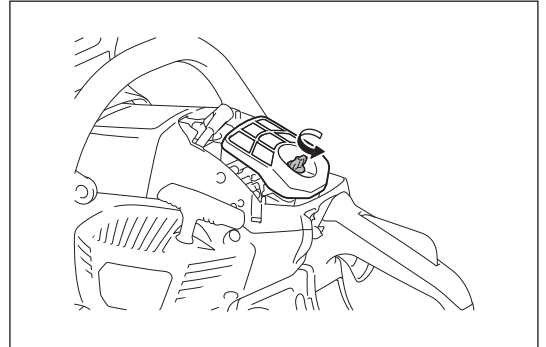
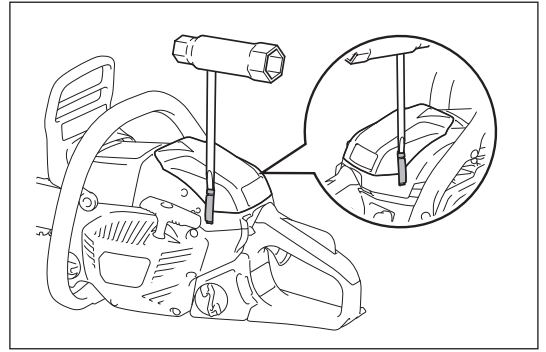
- Tragen Sie immer eine Schutzbrille.

Führen Sie zur Reinigung des Luftfilters die folgenden Schritte durch:

1. Bewegen Sie den Kombinationsschalter nach oben (Choke-Position), um ein Eindringen von Schmutz oder Fremdkörpern in den Vergaser zu verhindern.
2. Öffnen Sie die beiden Haken mit einem flachen Schraubendreher und entfernen Sie die Filterabdeckung.
3. Lösen Sie die Mutter und entfernen Sie dann den Luftfilter.

HINWEIS:

- Decken Sie die Öffnung während der Reinigung mit einem sauberen Tuch ab, um ein Eindringen von Schmutz oder Fremdkörpern in den Vergaser zu verhindern.
 - Ersetzen Sie einen beschädigten Luftfilter sofort.
4. Klopfen Sie ihn ab oder reinigen Sie ihn mit einem Pinsel oder Luftkompressor, um den Schmutz zu entfernen.
 5. Falls der Luftfilter stark verschmutzt ist, ersetzen Sie ihn durch einen neuen.
 6. Setzen Sie den Luftfilter und die Filterabdeckung wieder ein, indem Sie die oben genannten Schritte in umgekehrter Reihenfolge durchführen.



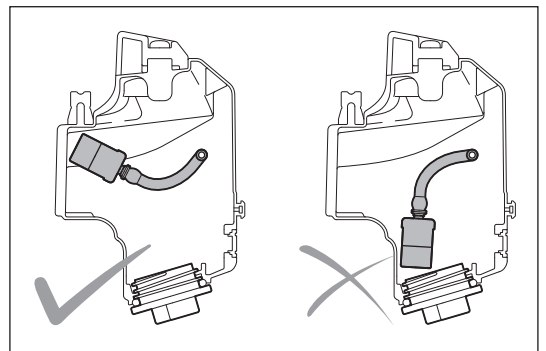
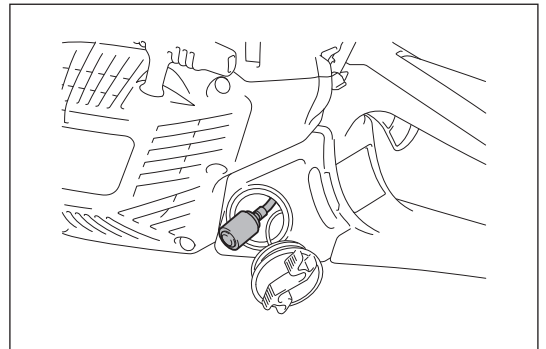
Reinigen des Kraftstofffilters

Der vom Vergaser benötigte Kraftstoff wird über den Kraftstofffilter des Ansaugkopfes gefiltert. Führen Sie regelmäßig eine Sichtprüfung durch.

1. Öffnen Sie dazu den Tankdeckel, und ziehen Sie mit Hilfe eines Drahhakens den Ansaugkopf durch die Tanköffnung.
2. Wenn der Filter verhärtet oder stark verstopft ist, tauschen Sie den Filter aus.
3. Befestigen Sie den Kraftstofffilter nach dem Überprüfen, Reinigen oder Austauschen mit Hilfe der Schlauchklemme an der Kraftstoffleitung. Drücken Sie den Kraftstofffilter ganz bis auf den Boden des Kraftstofftanks.

HINWEIS:

- Es wird empfohlen, den Kraftstofffilter mindestens alle drei Monate auszutauschen, um eine ausreichende Kraftstoffversorgung des Vergasers zu gewährleisten. Anderenfalls kann eine unzureichende Kraftstoffversorgung Motordefekte verursachen.

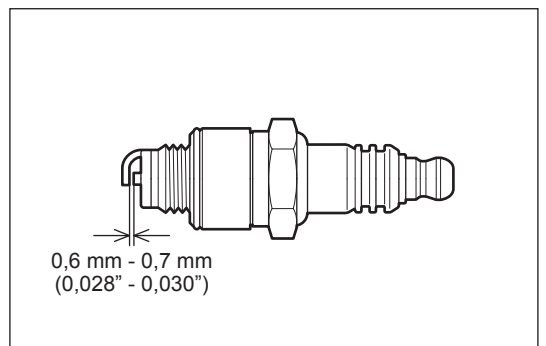


Überprüfen der Zündkerze

⚠ ACHTUNG:

- Berühren Sie bei laufendem Motor niemals den Zündkerzenstecker (Gefahr eines Hochspannungsschlags).

Der Abstand zwischen den Elektroden der Zündkerze muss zwischen 0,6 und 0,7 mm liegen. Wenn der Abstand zu klein oder zu groß ist, korrigieren Sie den Abstand. Falls die Zündkerze verschmutzt oder verstopft ist, reinigen Sie diese gründlich oder ersetzen Sie sie.



Reinigen des Zylinderraums

⚠ ACHTUNG:

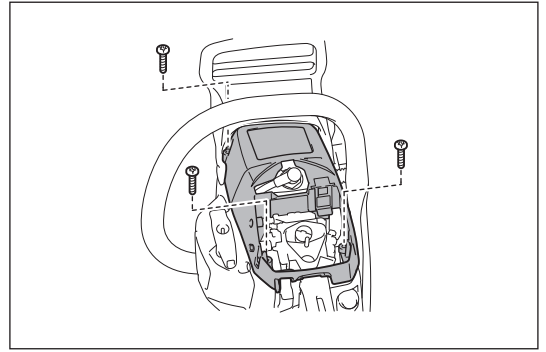
• Tragen Sie immer eine Schutzbrille.
Nach längerem Betrieb kann sich Staub im Zylinderraum ansammeln. Dadurch kann es zu einer Motorüberhitzung kommen. Reinigen Sie gelegentlich den Zylinderraum.

Führen Sie die Reinigung folgendermaßen durch:

1. Öffnen Sie die beiden Haken und entfernen Sie die Filterabdeckung.
2. Nehmen Sie die Luftfilterabdeckung ab.

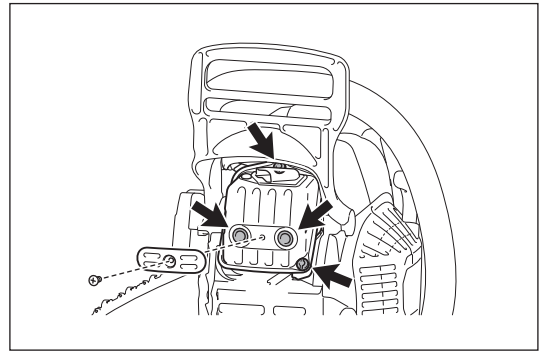
HINWEIS:

- Decken Sie die Öffnung während der Reinigung mit einem sauberen Tuch ab, um ein Eindringen von Schmutz oder Fremdkörpern in den Vergaser zu verhindern.
3. Entfernen Sie drei Schrauben und entfernen Sie die Zylinderabdeckung. Die Zylinderabdeckung lässt sich leichter entfernen, wenn sich der vordere Handschutz in der vorderen Position befindet.
 4. Reinigen Sie den Zylinderraum und die Zylinderrippen. Verwenden Sie bei Bedarf einen Pinsel oder Luftkompressor.
 5. Setzen Sie die Zylinderabdeckung, Luftfilter und Filterabdeckung nach der Reinigung wieder ein.



Überprüfen der Schrauben am Auspuffschalldämpfer.

Entfernen Sie die Zylinderabdeckung und den Staubschutz und prüfen Sie die vier Schrauben am Auspuffschalldämpfer auf Dichtigkeit. Falls sie lose sind, ziehen Sie sie fest.



Überprüfen des Funkenfängers

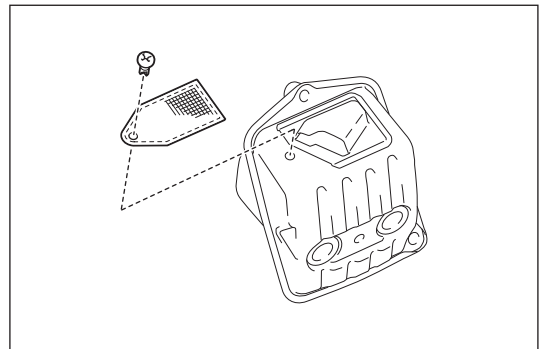
⚠ ACHTUNG:

• Starten Sie den Motor nicht, wenn der Funkenfänger beschädigt ist oder fehlt. Der Funkenfänger verhindert, dass heißer Ruß aus dem Auspuffrohr herausfliegt. Überprüfen Sie den Funkenfänger regelmäßig wie folgt:

1. Entfernen Sie die Zylinderabdeckung.
2. Entfernen Sie die Schraube, die den Funkenfänger sichert. Die Schraube lässt sich leichter entfernen, indem der vordere Handschutz nach vorne gedrückt wird. Schieben Sie dann den Funkenfänger heraus.

Reinigen Sie den Funkenfänger bei Bedarf mit einer Drahtbürste.

Ist der Funkenfänger beschädigt, tauschen Sie ihn aus.



Reinigen von Bauteilen

Halten Sie den Motor stets sauber, indem Sie den Motor mit einem Putzlappen abwischen.

Inspektion von Schrauben und Muttern

- Überprüfen Sie Schrauben, Muttern usw. Ziehen Sie diese bei Bedarf fest.
- Überprüfen Sie den Kraftstofftankdeckel und den Öldeckel auf Dichtigkeit. Auf Austreten von Kraftstoff prüfen.
- Tauschen Sie beschädigte Bauteile durch neue aus, damit ein sicherer Betrieb gegeben ist.

Aufbewahrung des Werkzeugs

⚠ ACHTUNG:

- Kurz nach dem Stoppen des Motors ist der Motor sehr heiß. Warten Sie nach dem Stoppen des Motors eine ausreichende Zeit, bis sich der Motor abgekühlt hat, bevor Sie den Kraftstoff ablassen. Andernfalls kann es zu Verbrennungen der Haut und/oder einem Brand kommen.
- Wenn das Werkzeug für längere Zeit nicht betrieben wird, lassen Sie den gesamten Kraftstoff aus Tank und Vergaser ab, und lagern Sie das Werkzeug an einem trockenen und sauberen Ort.

Biologisch abbaubares Sägekettenöl ist nur begrenzt haltbar. Nach einer Frist von zwei Jahren ab dem Herstellungsdatum neigen Bio-Öle zu Verklebungen und verursachen dadurch Schäden an der Ölpumpe und den Öl führenden Bauteilen.

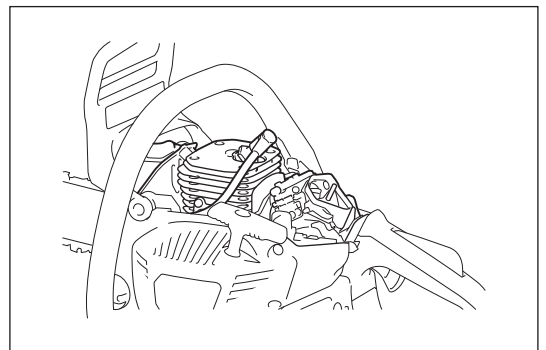
- Vor einer längeren Außerbetriebnahme den Öltank entleeren und anschließend mit einer geringen Menge Motoröl (SAE 30) befüllen.
- Lassen Sie die Motorsäge einige Zeit laufen, damit alle Rückstände des Bio-Öls aus dem Tank, Ölleitungssystem und Sägevorrichtung gespült werden.

Bewahren Sie die Motorsäge auf einer geeigneten Unterlage auf.

Für die erneute Inbetriebnahme wieder frisches biologisch abbaubares Sägekettenöl einfüllen.

HINWEIS:

- Wenn die Motorsäge außer Betrieb genommen wird, laufen noch einige Zeit geringe Mengen von Kettenöl aus. Dies ist normal und deutet nicht auf einen Fehler hin.



WARTUNGSINTERVALL

Führen Sie Wartungsarbeiten regelmäßig durch, um die Lebensdauer des Werkzeugs zu verlängern und die volle Funktionsfähigkeit der Sicherheitsfunktionen zu gewährleisten.

Betriebsdauer Artikel		Vor jedem Betrieb	Täglich	Wöchentlich	Alle drei Monate	Jährlich	Vor dem Lagern
Motorsäge	Inspektion.	<input type="radio"/>					
	Reinigung.		<input type="radio"/>				
	Wenden Sie sich an ein autorisiertes Servicecenter.					<input type="radio"/>	
Sägekette	Inspektion. / Bei Bedarf schärfen.	<input type="radio"/>					
Führungsschiene	Inspektion.	<input type="radio"/>					
Kettenbremse	Prüfen auf ordnungsgemäße Funktion.	<input type="radio"/>					
	Lassen Sie die Kettenbremse regelmäßig in einem autorisierten Servicecenter überprüfen.				<input type="radio"/>		
Starterseil	Inspektion.	<input type="radio"/>					
Kettenschmierung	Stellen Sie die Ölpumpenzufuhr ein.	<input type="radio"/>					
Kombinationsschalter	Inspektion.	<input type="radio"/>					
Gashebel-Arretierung	Inspektion.	<input type="radio"/>					
Gashebel	Inspektion.	<input type="radio"/>					
Kraftstoff-Tankdeckel	Auf Dichtigkeit prüfen.	<input type="radio"/>					
Öltankdeckel	Auf Dichtigkeit prüfen.	<input type="radio"/>					
Luftfilter	Reinigung.		<input type="radio"/>				
Leerlaufdrehzahl	Die Sägekette bleibt im Leerlauf völlig unbewegt.		<input type="radio"/>				
Zylinderraum	Reinigung.			<input type="radio"/>			
Zündkerze	Inspektion. / Reinigung. / Bei Bedarf ersetzen.				<input type="radio"/>		
Funkenfänger	Inspektion. / Reinigung. / Bei Bedarf ersetzen.				<input type="radio"/>		
Auspuffschalldämpfer	Dichtigkeit der Schrauben prüfen.			<input type="radio"/>			
Kettenfänger	Inspektion.			<input type="radio"/>			
Schrauben und Muttern	Inspektion.			<input type="radio"/>			
Kraftstofffilter	Inspektion. / Bei Bedarf ersetzen.				<input type="radio"/>		
Kraftstofftank	Leer.						<input type="radio"/>
Vergaser	Leeren.						<input type="radio"/>

* Sorgen Sie vor dem Leeren des Öltanks für eine ordnungsgemäße Entsorgung des Altöls. Schütten Sie Altöl niemals in Abwasserkanäle, in den Garten oder in offene Gewässer. In den für Ihre Region geltenden Gesetzen und Bestimmungen finden Sie ausführliche Anweisungen über eine fachgerechte Entsorgung.

PROBLEMBEHEBUNG

Überprüfen Sie ein Problem selbst, bevor Sie eine Reparatur anfordern. Wenden Sie sich für Reparaturen an ein autorisiertes Servicecenter.

Fehlfunktionsstatus	Mögliche Ursache	Abhilfe
Die Sägekette läuft nicht.	Die Kettenbremse ist angezogen.	Lösen Sie die Kettenbremse.
Motor startet nicht.	Fehlfunktion der Zündkerze.	Überprüfen Sie die Zündkerze.
	Kraftstofftank ist leer.	Füllen Sie den Kraftstofftank.
	Problem mit der Kraftstoffversorgung.	Prüfen Sie, ob der Kraftstofffilter verstopft ist.
	Fehlfunktion des Werkzeuges.	Wenden Sie sich zwecks Reparatur an Ihr örtliches, autorisiertes Servicecenter.
Unzureichende Leistung.	Der Luftfilter ist verschmutzt.	Reinigen Sie den Luftfilter. Bei Bedarf ersetzen.
	Der Zylinderraum ist verschmutzt.	Reinigen Sie den Zylinderraum.
	Die Umgebungstemperatur ist sehr niedrig.	Ändern Sie die Verschlusseinstellung am Vergaser. Siehe Abschnitt „Vermeiden von Vergaservereisung“.
Kein Öl auf der Sägekette.	Öltank ist leer.	Füllen Sie den Öltank.
	Ölführungsnut ist verschmutzt.	Reinigen Sie die Nut.
	Die Ölzufuhr ist nicht richtig eingestellt.	Stellen Sie die Ölzufuhrmenge ein.
	Fehlfunktion der Ölpumpe.	Wenden Sie sich zwecks Reparatur an Ihr örtliches, autorisiertes Servicecenter.
Die Sägekette stoppt nicht, selbst wenn die Kettenbremse aktiviert ist.	Bremsband verschlissen.	Beenden Sie die Verwendung des Werkzeugs sofort und wenden Sie sich an ein autorisiertes Servicecenter in Ihrer Nähe.
Das Werkzeug vibriert unnormal.	Lösen Sie die Führungsschiene oder Sägekette.	Stellen Sie die Spannung der Führungsschiene und der Sägekette ein.
	Fehlfunktion des Werkzeuges.	Beenden Sie die Verwendung des Werkzeugs sofort und wenden Sie sich an ein autorisiertes Servicecenter in Ihrer Nähe.
Die Sägekette stoppt nicht, wenn sich der Motor im Leerlauf befindet.	Die Leerlaufdrehzahl ist zu hoch.	Korrigieren Sie die Leerlaufdrehzahl.
	Kupplungsdefekt.	Beenden Sie die Verwendung des Werkzeugs sofort und wenden Sie sich an ein autorisiertes Servicecenter in Ihrer Nähe.

Sommario

Pagina

Simboli.....77
 Precauzioni per la sicurezza.....78
 Dati tecnici.....84
 Denominazione dei componenti85
 Funzioni di sicurezza della motosega.....86
 Montaggio.....88
 Prima dell'uso.....91
 Avviamento e arresto del motore.....93
 Manutenzione.....95
 Intervallo di manutenzione.....100
 Risoluzione dei problemi101

SIMBOLI

	Leggere il manuale di istruzioni e attenersi alle avvertenze e alle precauzioni per la sicurezza!		Pericolo di contraccolpi!
	Prestare particolare cura e attenzione!		
	Vietato!		Freno catena
	Indossare il casco di protezione e i dispositivi di protezione per occhi e orecchie!		Tenere la sega con entrambe le mani durante il lavoro! L'uso con una sola mano è molto pericoloso!
	Indossare i guanti protettivi!		Miscela di olio e carburante
	Vietato fumare!		Pompa dell'olio/riempimento dell'olio per catena
	Divieto di fiamme libere!		Vite di regolazione dell'olio per la catena della motosega
	Spegnere il motore!		Pompa di adescamento
	Accendere il motore		Direzione della catena
	Interruttore a combinazione, avviamento a freddo ON/STOP		Pronto soccorso

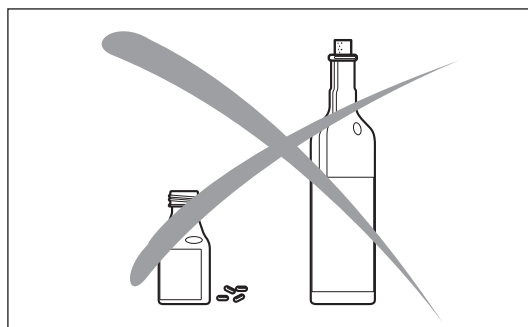
PRECAUZIONI PER LA SICUREZZA

Uso previsto

La presente motosega è destinata esclusivamente al taglio del legno all'aperto.

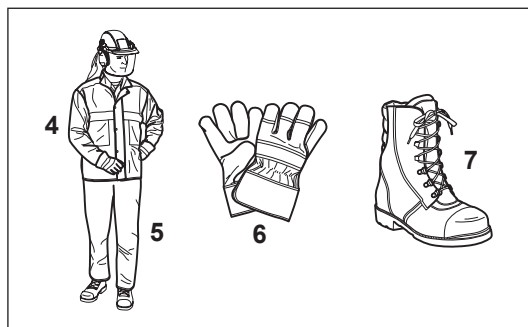
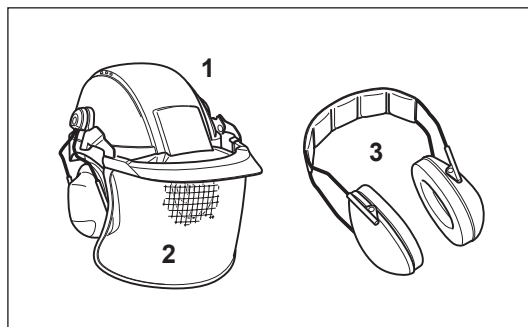
Precauzioni generali

- **Per garantire il corretto funzionamento dell'utensile, leggere il manuale di istruzioni** per familiarizzare con le caratteristiche della motosega. Gli operatori non informati possono mettere in pericolo se stessi e altre persone a seguito di un uso improprio.
- Si consiglia di prestare la motosega solo a persone esperte nell'uso di tali utensili. Tenere sempre a portata di mano il manuale di istruzioni.
- Gli operatori alle prime armi dovrebbero richiedere al rivenditore le istruzioni di base per acquisire dimestichezza con le caratteristiche della motosega oppure partecipare a un corso di addestramento riconosciuto.
- L'uso della motosega deve essere proibito ai minori di 18 anni. Tuttavia, è possibile consentire l'uso della motosega a persone di almeno 16 anni esclusivamente a scopi di addestramento e dietro supervisione di un istruttore qualificato.
- Azionare la motosega solo se l'operatore è in buone condizioni fisiche. La stanchezza può ridurre il livello di attenzione. Prestare particolare attenzione al termine di una giornata di lavoro. Eseguire il lavoro con calma e attenzione. L'operatore deve assumersi la responsabilità delle altre persone.
- Quando si utilizza una motosega è necessario rimanere vigili, prestare attenzione a quello che si sta facendo e ricorrere al buonsenso. Un momento di disattenzione durante il lavoro può provocare gravi danni alle persone.
- Non utilizzare la motosega dopo aver assunto alcool, droghe o medicinali.
- La marmitta può contenere sostanze chimiche cancerogene al suo interno. Evitare il contatto con tali sostanze in caso di danni alla marmitta.
- Il sistema di accensione del motore emette onde elettromagnetiche durante il funzionamento. In alcune circostanze, tali onde possono interferire con le apparecchiature medicali e causare gravi lesioni ai portatori di pacemaker. Si consiglia ai portatori di pacemaker di consultare il proprio medico e il produttore del pacemaker prima di utilizzare la motosega.
- Non utilizzare la motosega se sembra essere stata modificata.
- Tenere un estintore e un badile nelle immediate vicinanze del luogo di lavoro se è presente vegetazione facilmente infiammabile o se non piove da tempo (pericolo di incendio).
- L'uso dell'utensile può essere sottoposto a restrizioni dalla regolamentazione nazionale. Attenersi alle normative del proprio paese in relazione all'uso delle motoseghe.



Dispositivi di protezione personale

- **Per evitare infortuni a testa, occhi, mani o piedi e per proteggere l'udito è opportuno indossare i seguenti dispositivi di protezione durante l'uso della motosega:**
- L'abbigliamento deve essere adatto, vale a dire aderente ma non limitante i movimenti. Non indossare gioielli o abiti che potrebbero impigliarsi in cespugli o arbusti. Indossare sempre una retina per contenere i capelli lunghi.
- È sempre necessario indossare un casco di protezione quando si lavora con la motosega. Il casco di protezione (1) deve essere controllato regolarmente per verificare la presenza di danni e deve essere sostituito almeno una volta ogni 5 anni. Utilizzare esclusivamente caschi di protezione omologati.
- La visiera (2) del casco di protezione (o gli occhiali) protegge dalla segatura e dai trucioli di legno. Indossare sempre occhiali di protezione o una visiera durante l'uso della motosega, in modo da prevenire lesioni oculari.
- Indossare dispositivi di protezione acustica adeguati (cuffie (3), tappi per orecchie e così via). Un'esposizione prolungata al rumore può causare danni permanenti all'udito.
- La giacca protettiva (4) dispone di apposite bande di segnalazione sulle spalle ed è comoda e facile da pulire.
- La salopette di protezione (5) è realizzata in un tessuto di nylon a 22 strati e permette di proteggersi dai tagli. Se ne consiglia caldamente l'utilizzo.
- I guanti protettivi (6) in cuoio pesante sono parte dei dispositivi prescritti e devono sempre essere indossati durante l'uso della motosega.
- Durante l'uso della motosega, indossare sempre stivali o scarpe antinfortunistiche (7) con suola antiscivolo, punta rinforzata in acciaio e parastinco. Le scarpe antinfortunistiche dotate di strato protettivo garantiscono la protezione dai tagli e una buona aderenza al terreno.
- Indossare la maschera protettiva quando necessario. Un'esposizione prolungata ai fumi di scarico, ai vapori dell'olio per catena e alla segatura può causare danni alla salute.

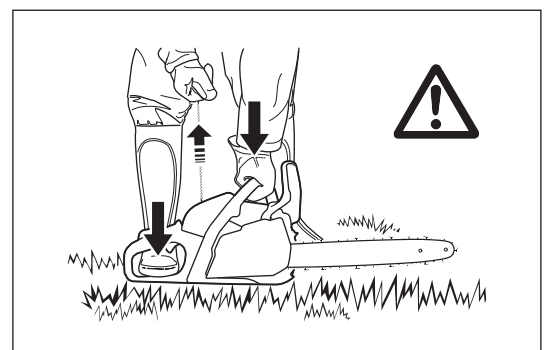
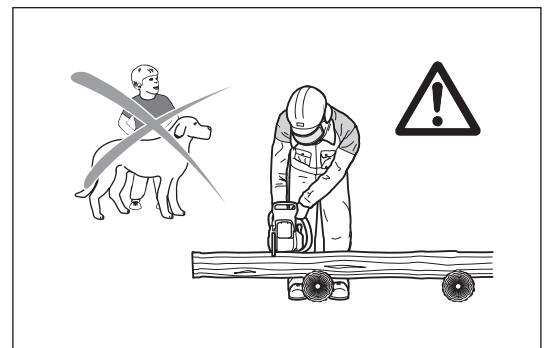
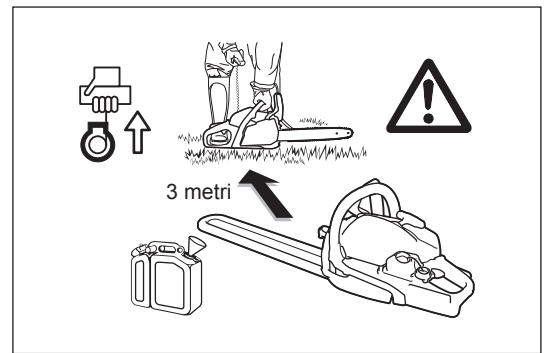


Carburanti e rifornimento

- Spegnerne il motore prima di rifornire la motosega.
- Non fumare e non lavorare in prossimità di fiamme libere.
- Attendere il raffreddamento del motore prima di effettuare il rifornimento.
- I carburanti possono contenere sostanze simili ai solventi. Evitare il contatto dei prodotti a base di olio minerale con gli occhi e la cute. Indossare sempre i guanti protettivi durante il rifornimento. Lavare e cambiare spesso gli indumenti di protezione. Non respirare i vapori del carburante. L'inalazione dei vapori del carburante può risultare pericolosa per la salute.
- Evitare le fuoriuscite di carburante e olio per catena. In caso di fuoriuscita, pulire immediatamente la motosega. Evitare il contatto del carburante con gli indumenti. In caso di contatto cambiare immediatamente tutti gli indumenti.
- Evitare la dispersione del carburante o dell'olio per catena nel terreno (protezione dell'ambiente). Utilizzare una base adeguata.
- Non eseguire il rifornimento in un ambiente chiuso. I vapori del carburante si accumulano a livello del pavimento (pericolo di esplosione).
- Serrare saldamente i tappi a vite dei serbatoi del carburante e dell'olio.
- Spostarsi ad almeno 3 m dal luogo del rifornimento prima di avviare il motore.
- Il carburante non può essere conservato per un periodo di tempo illimitato. Acquistare esclusivamente il carburante che si prevede di consumare nel prossimo futuro.
- Utilizzare esclusivamente contenitori omologati per il trasporto e la conservazione del carburante e dell'olio per catena. Assicurarsi che i bambini non possano accedere al carburante o all'olio per catena.

Messa in funzione

- **Non lavorare da soli. Deve essere presente un'altra persona nelle vicinanze in caso di emergenza** (a portata di voce).
- Verificare che non vi siano bambini o altre persone nella zona di lavoro. Prestare attenzione anche agli animali nella zona di lavoro.
- **Prima di iniziare il lavoro, controllare la motosega verificandone il funzionamento e la sicurezza in base alle indicazioni. Non utilizzare una motosega difettosa.** Controllare nello specifico il funzionamento del freno catena, il montaggio della barra di guida, l'affilatura e il serraggio della catena, il montaggio del coperchio della catena, il movimento della leva dell'acceleratore e il funzionamento della sicura della leva dell'acceleratore, la pulizia delle impugnature (che devono essere asciutte) e il funzionamento dell'interruttore a combinazione.
- Se la motosega cade o subisce altri colpi, interrompere immediatamente l'uso dell'utensile ed eseguire un'ispezione per individuare eventuali danni o difetti significativi.
- Mettere in funzione la motosega solo se è completamente montata. Non utilizzare la motosega se non è montata interamente.
- Controllare i dispositivi di protezione personale.
- Mettere in funzione la motosega solo come descritto nel presente manuale di istruzioni. Altri metodi di avviamento non sono consentiti.
- Prima di avviare la motosega, assicurarsi di avere una buona aderenza al terreno.
- In fase di avviamento, la motosega deve essere sostenuta con fermezza e in modo sicuro. La barra di guida e la catena non devono essere a contatto con alcun oggetto.
- Controllare che l'olio per catena raggiunta in modo sufficiente la catena.



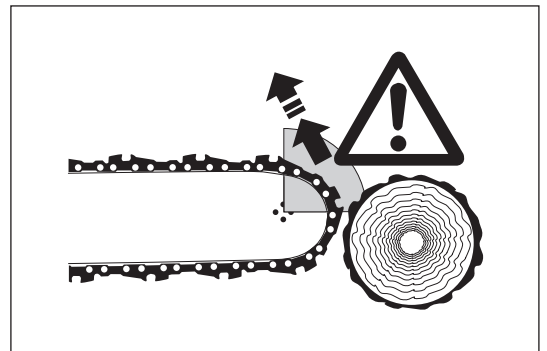
Funzionamento

- **Tenere sempre la motosega con entrambe le mani durante il lavoro.** Afferrare l'impugnatura posteriore con la mano destra e l'impugnatura anteriore con la mano sinistra. Afferrare saldamente le impugnature mantenendo i pollici opposti alle altre dita.
- **⚠ ATTENZIONE: dopo il rilascio della leva dell'acceleratore, la catena rimane in movimento per un breve periodo** (rotazione libera).
- Verificare costantemente di avere una buona aderenza al terreno.
- Sostenere la motosega in modo da non inalare i gas di scarico. Non lavorare in ambienti chiusi (pericolo di avvelenamento).
- **Spegnere immediatamente la motosega se si rilevano cambiamenti nel suo comportamento.**
- **Il motore deve essere spento prima di controllare la tensione della catena, serrarla, sostituirla o risolvere eventuali problemi di funzionamento.**
- Se la sega viene colpita da sassi, chiodi o altri oggetti duri, spegnere immediatamente il motore e controllare la sega.
- Quando si interrompe il lavoro o si abbandona la zona di lavoro, spegnere la motosega e appoggiarla a terra in modo da non creare pericoli per le altre persone.
- **⚠ ATTENZIONE: Non appoggiare la motosega calda nell'erba secca o su altri oggetti infiammabili. La marmitta è molto calda (pericolo di incendio).**
- **ATTENZIONE:** L'olio che fuoriesce dalla catena o dalla barra di guida dopo aver fermato la catena può inquinare il terreno. Utilizzare sempre una base adeguata.



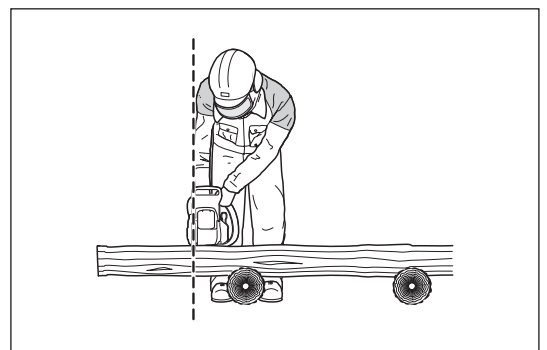
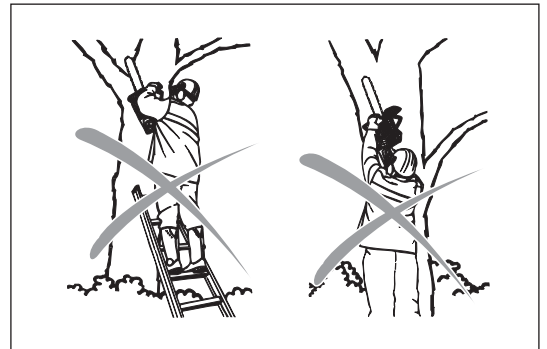
Contraccolpi

- Durante l'utilizzo della motosega possono verificarsi pericolosi contraccolpi.
 - I contraccolpi si verificano quando la parte superiore dell'estremità della barra di guida tocca inavvertitamente il legno o altri oggetti duri.
 - La sega viene quindi scagliata verso l'operatore con grande forza ed è fuori controllo. **Pericolo di infortuni.**
- Attenersi alle seguenti regole per prevenire i contraccolpi:**
- I tagli a immersione (ad esempio in caso di penetrazione nel legno con la punta della sega) devono essere eseguiti esclusivamente da persone opportunamente addestrate.
 - Non utilizzare l'estremità della barra quando si inizia a praticare un taglio.
 - Osservare sempre l'estremità della barra di guida. Prestare attenzione quando si prosegue un taglio già iniziato.
 - La catena deve essere in movimento quando si inizia il taglio.
 - Assicurarsi che la catena sia sempre ben affilata. Prestare particolare attenzione all'altezza del limitatore di profondità.
 - Non tagliare più rami contemporaneamente. Durante il taglio di un ramo, assicurarsi che non vengano toccati altri rami.
 - Durante il taglio incrociato di un tronco, prestare attenzione ai tronchi accanto.



Comportamento e metodo di lavoro

- Utilizzare la motosega solo in condizioni di luce e visibilità buone. Prestare attenzione alle aree scivolose o umide, al ghiaccio e alla neve (pericolo di scivolamento). Il pericolo di scivolamento è particolarmente alto quando si lavora su legno rimosso di recente (corteccia).
- Non lavorare su superfici instabili. Assicurarsi che non vi siano ostacoli nell'area di lavoro (pericolo di inciampare). Verificare sempre di avere una buona aderenza al terreno.
- Non eseguire tagli a un'altezza superiore a quella delle spalle.
- Non utilizzare la sega stando su una scala.
- Non arrampicarsi sugli alberi per praticare tagli con la motosega.
- Non inclinarsi troppo durante il lavoro.
- Guidare la motosega in modo che nessuna parte del corpo si trovi nel raggio di azione circolare della sega.
- Utilizzare la motosega esclusivamente per tagliare il legno.
- Evitare di toccare il terreno con la motosega ancora in funzione.
- Non utilizzare la motosega per il sollevamento o la rimozione di frammenti di legno o altri oggetti.
- Rimuovere i corpi estranei dalla zona di lavoro (ad esempio sabbia, sassi e chiodi). I corpi estranei possono danneggiare la sega e causare pericolosi contraccolpi.
- Durante l'uso della motosega su legname pretagliato, utilizzare un supporto sicuro (cavalletto). Non tenere fermo il pezzo con il piede e non permettere che siano altre persone a farlo.
- Fissare i pezzi rotondi per impedirne la rotazione.

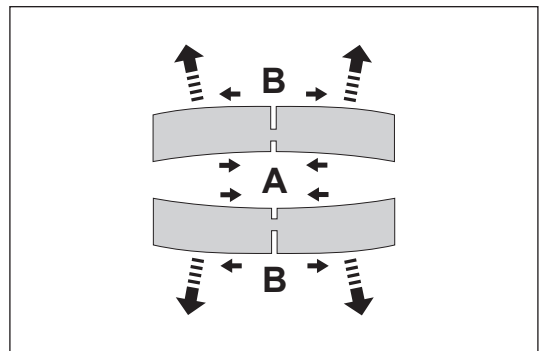
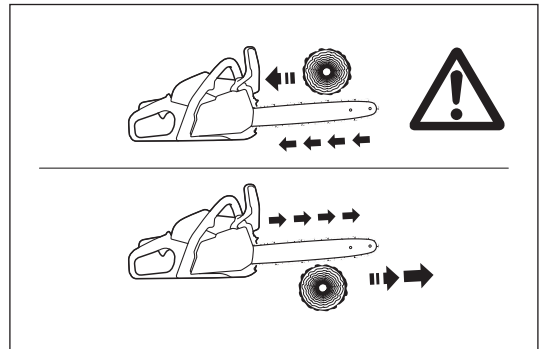
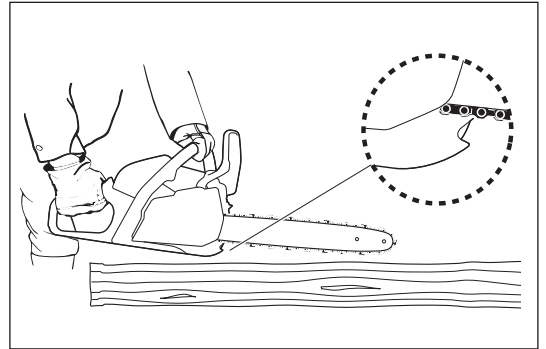
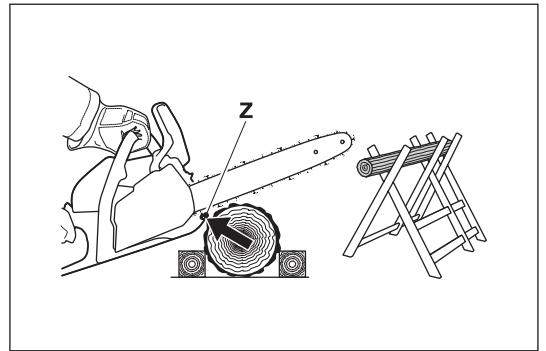


- Per l'abbattimento di alberi o l'esecuzione di tagli incrociati è necessario applicare il paracolpi (Z) al legno da tagliare.
- Prima di eseguire un **taglio incrociato**, fissare il paracolpi al legname; solo allora è possibile tagliare il legname con la catena in movimento. La motosega deve essere sollevata afferrandola dall'impugnatura posteriore, quindi deve essere guidata con l'impugnatura anteriore. Il paracolpi serve come centro di rotazione. Continuare premendo leggermente sull'impugnatura anteriore e nello stesso tempo tirare indietro la motosega. Applicare il paracolpi a una profondità leggermente superiore e ancora una volta sollevare l'impugnatura posteriore.
- Se occorre penetrare nel legname per il taglio o se è necessario eseguire tagli longitudinali, è caldamente consigliato che il lavoro sia svolto esclusivamente da personale opportunamente addestrato (elevato pericolo di contraccolpi).
- Eseguire i **tagli -longitudinali -sull'intera lunghezza** del pezzo con la minore angolazione possibile. Prestare attenzione durante l'esecuzione di questo tipo di taglio, in quanto il paracolpi non può fare presa.
- La sega deve essere in funzione quando si estrae la motosega dal legname.
- Se si eseguono diversi tagli, la leva dell'acceleratore deve essere rilasciata tra un taglio e l'altro.
- Prestare attenzione durante il taglio di legno che può scheggiarsi facilmente. I frammenti di legno potrebbero colpire l'operatore (pericolo di infortuni).
- Durante il taglio con il lato superiore della barra di guida, la motosega potrebbe essere spinta nella direzione dell'operatore in caso di bloccaggio della catena. Per questo motivo è consigliabile utilizzare il lato inferiore della barra ogni qualvolta sia possibile. La motosega sarà così spinta lontano dall'operatore.
- Se il legname è in tensione, tagliare prima il lato sotto pressione (A). Eseguire quindi il taglio incrociato sul lato in tensione (B). Con questa procedura è possibile evitare il bloccaggio della barra di guida.

⚠ ATTENZIONE:

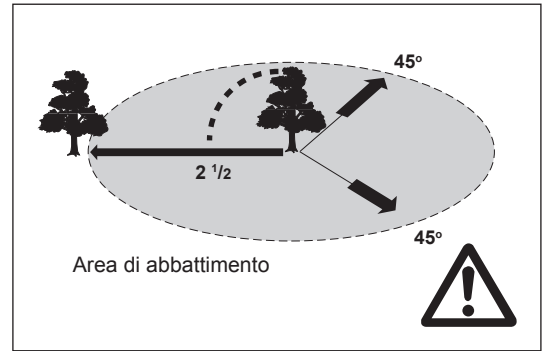
Gli operatori che si occupano dell'abbattimento di alberi o del taglio di rami devono sottoporsi a un addestramento specifico. Elevato pericolo di infortuni.

- Durante il taglio dei rami, la motosega dovrebbe appoggiare sul tronco. Non utilizzare l'estremità della barra per il taglio (pericolo di contraccolpi).
- Prestare attenzione ai rami in tensione. Non tagliare i rami liberi da sotto.
- Non eseguire tagli che producono una riduzione della tensione rimanendo in piedi sul tronco.

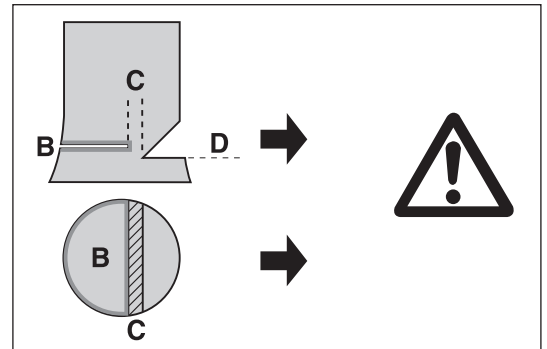
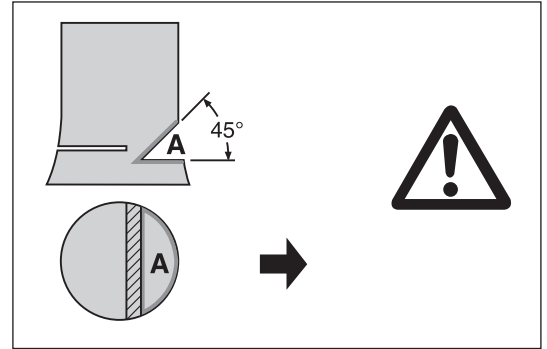


• **Prima di tagliare un albero, assicurarsi che:**

- a) Nella zona di lavoro siano presenti solo le persone effettivamente coinvolte nel taglio dell'albero.
- b) Tutte le persone coinvolte siano in grado di allontanarsi senza inciampare (è opportuno allontanarsi camminando all'indietro lungo una linea diagonale, ad esempio a un'angolazione di 45°).
- c) Nella parte inferiore del tronco non siano presenti oggetti estranei, sterpaglie e rami. Assicurarsi di avere una buona aderenza al terreno (pericolo di inciampare).
- d) Il luogo di lavoro successivo sia a una distanza di almeno 2 volte e 1/2 l'altezza dell'albero. Prima di tagliare l'albero, controllare la direzione di caduta e assicurarsi che non vi siano persone né oggetti a una distanza inferiore a 2 volte e 1/2 l'altezza dell'albero.

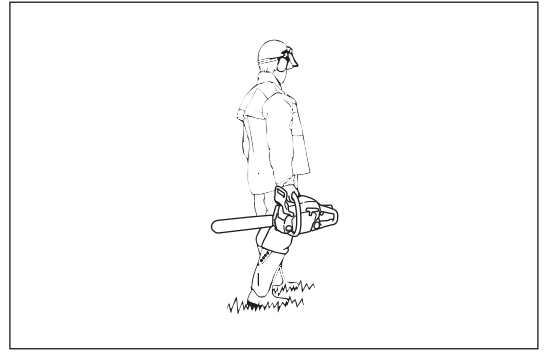


- **Valutazione dell'albero:** direzione della pendenza, rami prossimi alla caduta o secchi, altezza dell'albero, sopravvivenza naturale, l'albero è marcio?
- Tenere conto della direzione e della velocità del vento. Evitare l'abbattimento in presenza di forti raffiche.
- **Taglio delle radici:** iniziare dalla radice più robusta. Eseguire prima il taglio verticale, poi quello orizzontale.
- **Esecuzione di una tacca nel tronco:** la tacca (A) determina la direzione di caduta e guida l'albero. La tacca deve essere perpendicolare alla direzione di caduta e deve penetrare per 1/3 - 1/5 del diametro del tronco. Eseguire il taglio in prossimità del terreno.
- Per correggere il taglio, lavorare sempre sull'intera larghezza della tacca.
- **Abbattere** l'albero sopra il lato inferiore della tacca (D). Il taglio deve essere perfettamente orizzontale (B). La distanza tra i due tagli (C) deve essere pari a circa 1/10 del diametro del tronco.
- Il **materiale rimasto tra i due tagli** serve da cerniera. Non effettuare mai tagli al suo interno, altrimenti l'albero cadrà senza alcun controllo. Inserire tempestivamente i cunei per l'abbattimento.
- Proteggere il taglio utilizzando esclusivamente cunei in plastica o alluminio. Non utilizzare cunei in ferro. Se la sega dovesse colpire un cuneo in ferro, la catena potrebbe spezzarsi o subire gravi danni.
- Durante il taglio di un albero, tenersi sempre a lato dell'albero in caduta.
- Prestare attenzione ai rami in caduta mentre ci si allontana dopo aver eseguito il taglio.
- Se si lavora su un terreno in pendenza, l'operatore della motosega deve rimanere più in alto o a lato del tronco da tagliare o dell'albero già abbattuto.
- Prestare attenzione ai tronchi che potrebbero rotolare verso l'operatore.



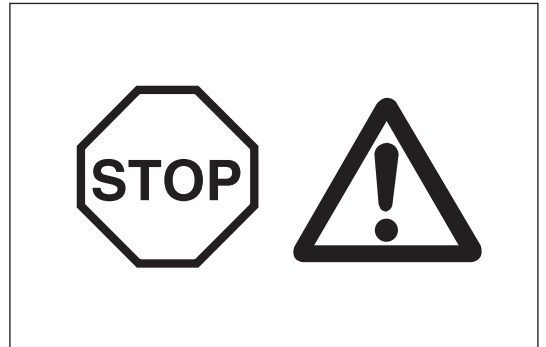
Trasporto e conservazione

- Se è necessario cambiare zona di lavoro, spegnere la motosega e azionare il freno catena per impedire l'avviamento accidentale della catena.
- Non trasportare la motosega mentre la catena è in funzione. Evitare di coprire la sega ancora calda utilizzando teli, lenzuola, giornali o simili. Attendere il raffreddamento della sega prima di riporla in magazzino o in un veicolo. Le seghe dotate di marmitta catalitica richiedono un tempo di raffreddamento superiore.
- Utilizzare il coperchio di protezione della catena durante il trasporto e lo stoccaggio.
- Trasportare la motosega afferrandone l'impugnatura anteriore. La barra di guida è rivolta verso il basso. Evitare il contatto con la marmitta (pericolo di ustioni).
- Controllare la posizione della motosega durante il trasporto in auto, onde evitare perdite di carburante, danni o infortuni.
- Conservare la motosega in un luogo asciutto e sicuro. Non conservarla all'aperto. Tenere la motosega fuori dalla portata dei bambini.
- Prima di riporre la motosega per un periodo prolungato o prima della sua spedizione, svuotare completamente i serbatoi del carburante e dell'olio.
- Eseguire la pulizia e la manutenzione prima della conservazione a lungo termine.



Manutenzione

- Prima di eseguire gli interventi di manutenzione è necessario spegnere la motosega e staccare la candela.
- Prima di iniziare un lavoro, controllare sempre la sicurezza della motosega, in particolare il funzionamento del freno catena. Assicurarsi che la catena sia sempre ben affilata e serrata correttamente.
- Azionare la motosega solo se i livelli di rumore ed emissioni sono limitati. Per ottenere questo risultato è necessario regolare correttamente il carburatore.
- Pulire regolarmente la motosega.
- Controllare regolarmente che il tappo del serbatoio sia ben chiuso.
- Attenersi alle istruzioni per la prevenzione degli incidenti specificate dalle associazioni di settore e dalle compagnie di assicurazioni.
- Non apportare modifiche alla motosega. Si metterebbe a repentaglio la propria sicurezza.
- Eseguire esclusivamente gli interventi di manutenzione e riparazione descritti nel presente manuale di istruzioni. Qualsiasi altro intervento deve essere eseguito dal centro assistenza Dolmar.
- Utilizzare esclusivamente ricambi e accessori Dolmar originali.
- L'uso di ricambi o di accessori non originali Dolmar, oppure di combinazioni o lunghezze non approvate per la barra di guida o la catena, può aumentare il pericolo di incidenti. Non ci assumiamo alcuna responsabilità per incidenti e danni derivanti dall'uso di seghe o accessori non approvati.

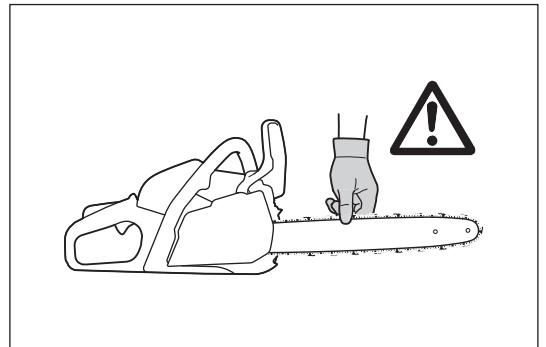


Vibrazione

Gli operatori che soffrono di insufficienza venosa, se esposti a vibrazioni eccessive, possono riportare danni ai vasi sanguigni o al sistema nervoso.

Le vibrazioni possono causare i seguenti sintomi alle dita, alle mani o ai polsi: torpore, formicolio, dolore, fitte acute, alterazione della pelle o del suo colorito.

Consultare un medico non appena si manifestano tali sintomi. Per ridurre il rischio di sindrome da vibrazione mano-braccio, tenere le mani calde, indossare i guanti e assicurarsi che la catena della sega sia affilata.

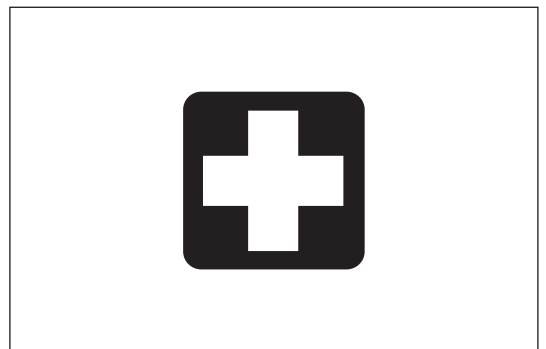


Pronto soccorso

Assicurarsi che nelle vicinanze della zona di lavoro sia disponibile una cassetta di pronto soccorso, in caso di infortuni. Sostituire immediatamente qualunque oggetto prelevato dalla cassetta di pronto soccorso.

Nel momento in cui si richiede assistenza, fornire le seguenti informazioni:

- Luogo dell'incidente
- Che cosa è accaduto
- Numero delle persone ferite
- Tipo di ferite
- Nome e cognome



Solo per i paesi europei

Dichiarazione di conformità CE

La dichiarazione di conformità CE è inclusa nell'Allegato A di questo manuale di istruzioni.

DATI TECNICI

Modello		PS-352	PS-352 TLC
Lunghezza complessiva (senza barra di guida)	mm	388	
Peso netto	kg	4,2	
Volume di corsa	cm ³	35,2	
Alesaggio	mm	38	
Corsa	mm	31	
Potenza massima alla velocità indicata	kW/min ⁻¹	1,7/10.000	
Coppia massima alla velocità indicata	Nm/min ⁻¹	2,0/7.000	
Velocità al minimo/velocità massima del motore con barra e catena	min ⁻¹	2.900/13.500	
Velocità di innesto della frizione	min ⁻¹	4.100	
Carburatore	Tipo	A membrana	
Candela	Tipo	NGK BPMR 8Y	
Distanza tra gli elettrodi	mm	0,7	
Capacità del serbatoio del carburante	cm ³	310	
Capacità del serbatoio dell'olio per catena	cm ³	260	
Rapporto della miscela (carburante/olio due tempi) Olio originale Dolmar o tipo di qualità JASO FC (ISO EGC) o superiore		50:1	
Freno catena		Innesto manuale o in caso di contraccolpo.	
Velocità della catena	m/s	25,3	
Passo del pignone	mm (pollici)	0,95 (3/8)	
Numero di denti	Z	6	
Livello di pressione sonora nell'ambiente di lavoro L _{PA, eq} secondo ISO 22868 ¹⁾	dB (A)	99	
	K _{PA}	2,5	
Livello di potenza sonora L _{WA, FI + Ra} secondo ISO 22868 ²⁾	dB (A)	111	
	K _{WA}	2,5	
Accelerazione delle vibrazioni a _{nv, eq} secondo ISO 22867 ¹⁾	Impugnatura anteriore	m/s ²	3,3
		K	2,0
	Impugnatura posteriore	m/s ²	3,4
		K	2,0

1) Dati derivati in parti uguali da velocità al minimo, al massimo carico e operativa.

2) Dati derivati in parti uguali da velocità al massimo carico e operativa.

- Le caratteristiche tecniche riportate di seguito sono soggette a modifiche senza preavviso in virtù del nostro programma continuo di ricerca e sviluppo.
- Le caratteristiche tecniche possono differire da paese a paese.

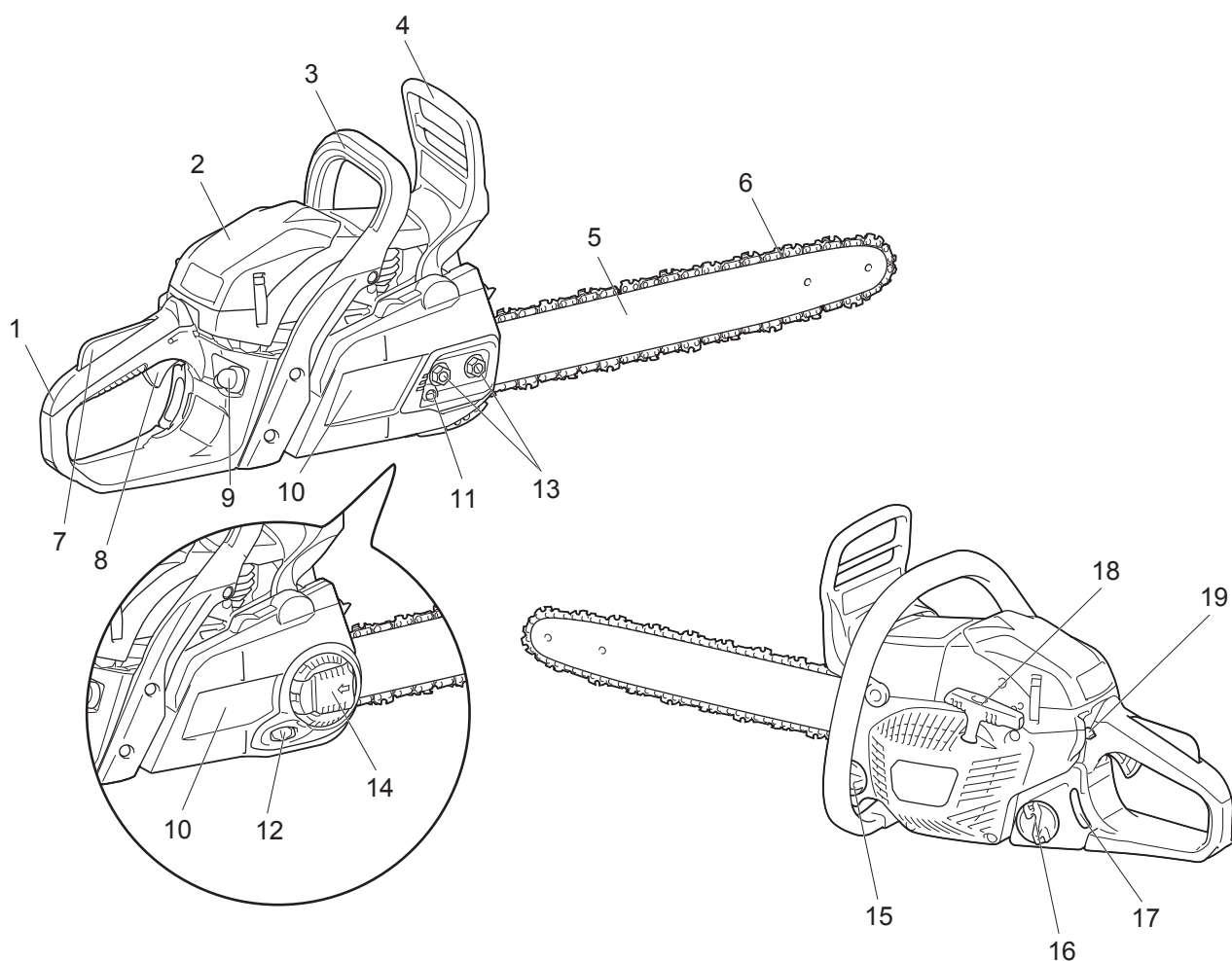
Barra di guida e catena della sega

Tipo di barra di guida		Barra a puntale per pignone	
Lunghezza		350 mm	400 mm
Lunghezza di taglio		325 mm	360 mm
Catena della sega	Tipo	492 (91PX)	
Passo		3/8"	
Calibro		1,3 mm (0,05")	
N. di anelli		52	56

⚠ AVVERTENZA:

Utilizzare l'adeguata combinazione di barra di guida e catena della sega. In caso contrario potrebbero verificarsi infortuni.

DENOMINAZIONE DEI COMPONENTI



	Denominazione dei componenti
1	Impugnatura posteriore
2	Coperchio del dispositivo di pulizia
3	Impugnatura anteriore
4	Paramano anteriore
5	Barra di guida
6	Catena della sega
7	Sicura della leva dell'acceleratore
8	Leva dell'acceleratore
9	Pompa del carburante (adescamento)
10	Coperchio della catena
11	Vite di regolazione della catena
12	Ghiera di regolazione della catena
13	Dadi di bloccaggio
14	Leva
15	Tappo del serbatoio dell'olio
16	Tappo del serbatoio del carburante
17	Indicatore di livello del carburante
18	Interruttore di avviamento
19	Interruttore a combinazione

FUNZIONI DI SICUREZZA DELLA MOTOSEGA

⚠ AVVERTENZA:

- Le seguenti funzioni di sicurezza NON garantiscono una protezione costante dagli infortuni. **Solo l'uso corretto e la tecnica adeguata possono ridurre il pericolo di contraccolpi e altri incidenti pericolosi.**
- Controllare sempre le funzioni di sicurezza prima dell'uso.
- Se la motosega non supera uno dei controlli, spegnere immediatamente il motore e NON utilizzare la motosega. Rivolgersi a un centro assistenza autorizzato Dolmar.

Freno catena

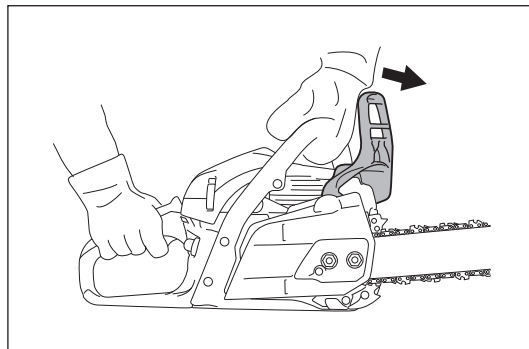
Il freno catena è progettato per fermare la catena in una frazione di catena. Viene attivato quando il contraccolpo è di intensità sufficiente.

Per innestare manualmente il freno catena, spingere in avanti il paramano anteriore (verso la punta della sega) con la mano sinistra.

Per rilasciare il freno catena, tirare indietro il paramano anteriore (verso l'operatore).

AVVISO:

- Non aumentare il regime del motore con il freno catena azionato (tranne che a scopo di test).
- Rilasciare sempre il freno catena prima della messa in funzione.



Controllo del freno catena

1. Mettere in funzione il motore al minimo.
2. Tenere la motosega con entrambe le mani. Tenere l'impugnatura posteriore con la mano destra e l'impugnatura anteriore con la mano sinistra. Assicurarsi che la barra di guida e la catena non siano a contatto con alcun oggetto.
3. Spingere il paramano anteriore utilizzando la parte posteriore della mano fino a innestare il freno catena.
4. Accelerare finché il motore non raggiunge il pieno regime per meno di 3 secondi. Assicurarsi che la catena della sega non si muova.
5. Riportare il motore al minimo e rilasciare il freno catena.

Controllo del nastro del freno

Il nastro del freno si trova nella parte posteriore del coperchio della catena. Il freno catena si usura con il tempo. Richiedere il controllo e la riparazione a un centro assistenza autorizzato Dolmar almeno ogni 3 mesi.

Sicura della leva dell'acceleratore

La sicura della leva dell'acceleratore è studiata per evitare l'avviamento accidentale. È possibile tirare la leva dell'acceleratore solo quando la sicura della leva dell'acceleratore è premuta (vale a dire afferrando l'impugnatura).

Controllo della sicura della leva dell'acceleratore

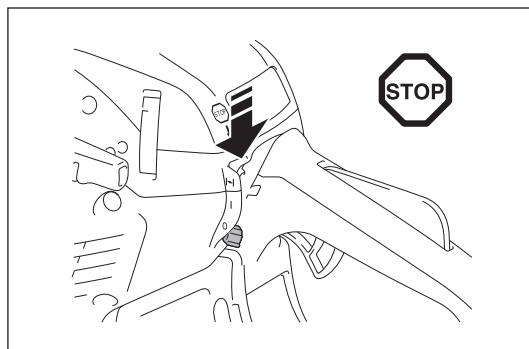
Controllare che la sicura della leva dell'acceleratore ritorni nella sua posizione originale dopo aver tolto la mano dall'impugnatura posteriore.

Spegnimento del motore

Assicurarsi che il motore si spenga quando richiesto.

Controllo dello spegnimento del motore

Avviare il motore. Rilasciare la leva dell'acceleratore e portare l'interruttore a combinazione nella posizione inferiore (O).

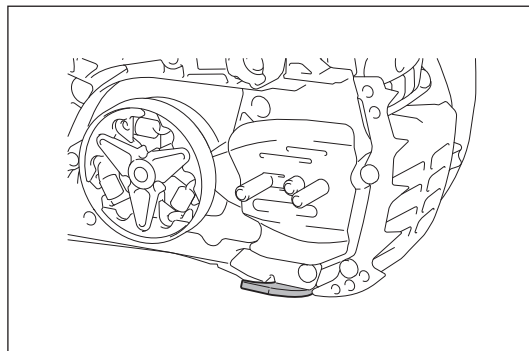


Perno fermacatena

Il perno fermacatena permette di bloccare la catena della sega qualora fuoriesca dalla barra di guida. La catena della sega non fuoriesce se presenta la tensione corretta. Controllare e regolare sempre la tensione della catena della sega in conformità al presente manuale di istruzioni.

Controllo del perno fermacatena

Verificare che il perno fermacatena non sia danneggiato e che risieda saldamente nel proprio alloggiamento.



MONTAGGIO

⚠ AVVERTENZA:

- Prima di eseguire qualunque intervento sulla barra di guida o sulla catena della sega, spegnere il motore e attendere l'arresto dell'utensile.
- Indossare sempre i guanti protettivi.

⚠ ATTENZIONE:

- Avviare la motosega solo dopo averla interamente montata e ispezionata.

Montaggio della barra di guida e della catena della sega

AVVISO:

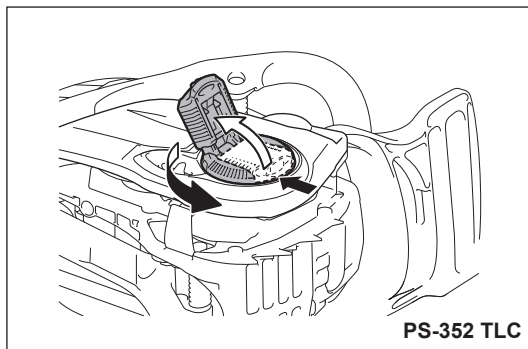
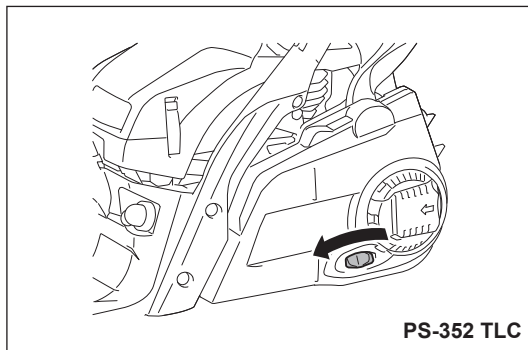
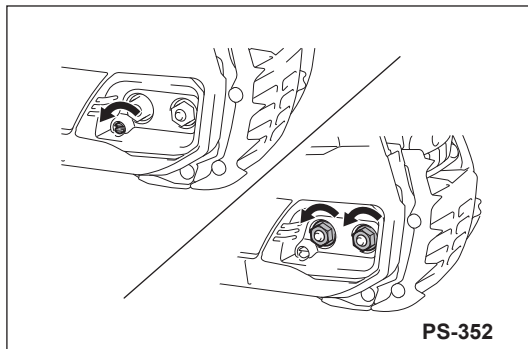
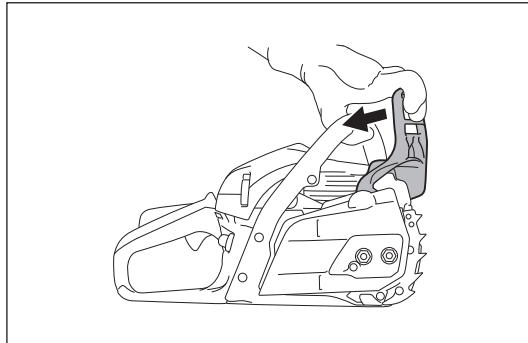
- Il montaggio o lo smontaggio della catena della sega deve essere eseguito in un ambiente pulito, privo di segatura e altri corpi estranei.

Appoggiare la motosega su una superficie stabile ed eseguire le seguenti operazioni:

1. Rilasciare il freno catena tirando il paramano anteriore.
2. Allentare del tutto la catena.
3. (Per il modello PS-352) Svitare i dadi di bloccaggio.
(Per il modello PS-352 TLC) Premere e aprire completamente la leva fino all'arresto. Ruotare la leva in senso antiorario.
4. Rimuovere il coperchio della catena.

AVVISO:

- Non è possibile rimuovere il coperchio della catena senza rilasciare il freno catena.



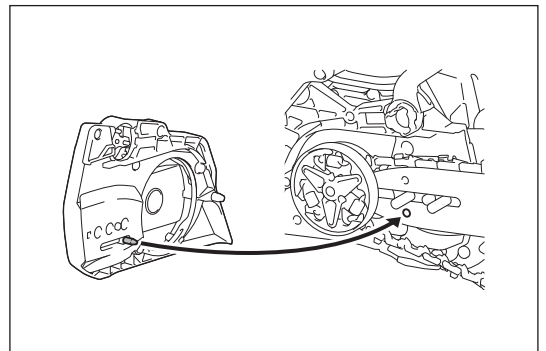
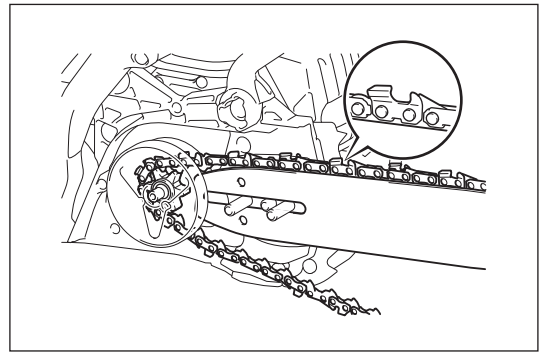
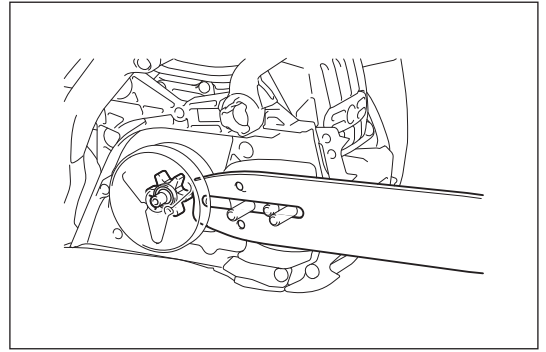
5. Posizionare la barra di guida sopra i bulloni della barra.
6. Controllare la direzione della catena della sega. Le frecce sulla catena della sega devono puntare nella stessa direzione della freccia sul corpo della sega.
7. Inserire la catena della sega nel pignone, quindi posizionarla sulla punta della barra di guida.
8. Montare il coperchio della catena in modo che il perno di regolazione fuoriesca dal foro sulla barra di guida.

AVVISO:

- Sollevare la catena della sega sopra il perno fermacatenata.
9. (Per il modello PS-352) Serrare i dadi di bloccaggio per fissare il coperchio della catena, quindi allentarli leggermente per la regolazione della tensione.
(Per il modello PS-352 TLC) Ruotare la leva in senso orario per fissare il coperchio della catena, quindi allentarla leggermente per la regolazione della tensione.
 10. Regolare la tensione della catena della sega (vedere la sezione “Regolazione della tensione della catena della sega” dal punto 3 in avanti).

NOTA:

- Per ottenere un'usura uniforme della barra di guida, capovolgerla nella fase di sostituzione della catena.



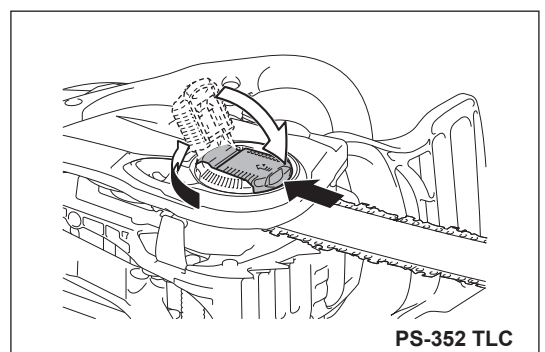
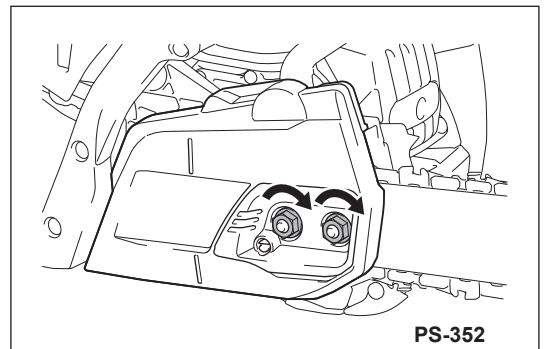
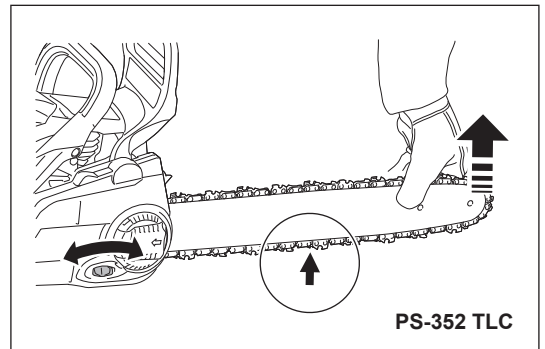
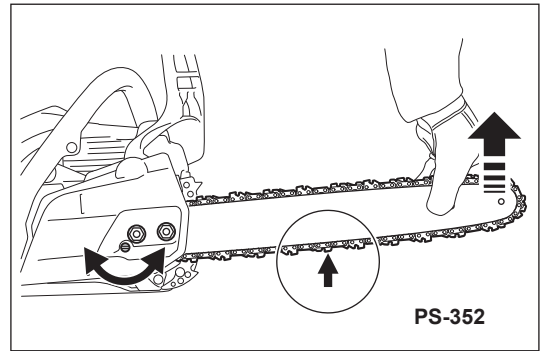
Regolazione della tensione della catena della sega

⚠ ATTENZIONE:

- Un eccessivo allentamento della catena della sega può provocare la fuoriuscita dalla barra, con conseguente pericolo di incidenti. Regolare la catena della sega se risulta troppo allentata.
- Una tensione eccessiva della catena della sega può provocare la rottura della catena, l'usura della barra di guida e la rottura della vite/ghiera di regolazione. La catena della sega può allentarsi dopo numerose ore di utilizzo. Dopo aver sostituito la catena della sega o dopo aver utilizzato l'utensile per molte ore, controllare la tensione della catena della sega prima dell'uso. Una catena della sega regolata correttamente contribuisce alle prestazioni e alla lunga durata dell'utensile. La tensione della catena è corretta se la catena rimane nel lato inferiore della barra di guida e può comunque essere ruotata facilmente a mano. Controllare spesso la tensione della catena: le catene nuove tendono ad allungarsi durante l'uso.

Per regolare la tensione della catena della sega, attenersi alla seguente procedura:

1. Rilasciare il freno catena tirando il paramano anteriore.
2. (Per il modello PS-352) Svitare leggermente i dadi di bloccaggio per allentare il coperchio della catena.
(Per il modello PS-352 TLC) Premere e aprire completamente la leva fino all'arresto. Ruotare leggermente la leva in senso antiorario per allentare il coperchio della catena.
3. Sollevare leggermente e sostenere la punta della barra di guida.
4. (Per il modello PS-352) Ruotare la vite di regolazione della catena per regolare la tensione della catena della sega.
(Per il modello PS-352 TLC) Ruotare la ghiera di regolazione della catena per regolare la tensione della catena della sega.
5. Regolare la tensione della catena finché il lato inferiore della catena della sega entra nel binario della barra di guida (vedere la sezione cerchiata nella figura). Durante la regolazione della tensione della catena è necessario continuare a tenere sollevata la punta della barra di guida.
6. Continuare a tenere leggermente sollevata la barra di guida e serrare il coperchio della catena dopo aver regolato la tensione della catena.
(Per il modello PS-352) Avvitare i dadi di bloccaggio per fissare il coperchio della catena.
(Per il modello PS-352 TLC) Ruotare completamente la leva in senso orario per fissare il coperchio della catena. Successivamente, premere e chiudere la leva.
7. Assicurarsi che la catena della sega non si allenti nel lato inferiore, ma che sia perfettamente inserita contro il lato inferiore della barra.



PRIMA DELL'USO

⚠ AVVERTENZA:

- EVITARE IL CONTATTO CON GLI OCCHI E CON LA PELLE. I prodotti a base di olio minerale sgrassano la pelle. Un contatto ripetuto e prolungato della cute con queste sostanze potrebbe causare problemi di secchezza, con conseguenti problemi della pelle. È possibile anche il verificarsi di reazioni allergiche. Il contatto con l'olio può causare irritazione agli occhi. In caso di contatto dell'olio con gli occhi, lavarli immediatamente con acqua fresca. Se l'irritazione permane, consultare immediatamente un medico.

Carburante

⚠ ATTENZIONE:

- Prestare particolare attenzione quando si maneggia la benzina.
- Non fumare. Mantenere l'utensile a distanza da fiamme libere e scintille (pericolo di esplosione).

Miscela di carburante

L'utensile è alimentato da un motore a due tempi raffreddato ad aria ad elevate prestazioni. Utilizza una miscela di benzina e olio per motori a due tempi. Il motore è progettato per l'uso di normale benzina senza piombo, con un numero di ottani minimo pari a 91 RON (89 AKI) e un contenuto di etanolo non superiore al 10%. Se questo tipo di carburante non fosse disponibile, è possibile utilizzare un carburante con un numero di ottani superiore. Questa scelta non comporterà effetti sul motore.

Per ottimizzare le prestazioni del motore e proteggere la propria salute e l'ambiente, utilizzare esclusivamente carburante senza piombo.

Per lubrificare il motore, utilizzare olio sintetico per motori a due tempi raffreddati ad aria (Olio originale Dolmar o tipo di qualità JASO FC (ISO EGC) o superiore). Miscelare l'olio motore con il carburante.

⚠ ATTENZIONE:

- Non utilizzare il carburante già miscelato disponibile presso le stazioni di rifornimento.

Rapporto di miscela corretto: 50:1 (50 parti di benzina e 1 parte di olio).

NOTA:

- Per la preparazione della miscela di olio e carburante, miscelare prima l'intera quantità d'olio con metà del carburante richiesto e solo successivamente aggiungere il carburante rimanente. Miscelare con cura prima di riempire il serbatoio della motosega.

Non aggiungere una quantità di olio motore superiore a quella specificata. Un rapporto di miscelazione errato provocherà un aumento dei residui inquinanti della combustione. Causerà inoltre ostruzioni del canale di scarico nel cilindro e nella marmitta, prestazioni scadenti e un eccessivo consumo di carburante.

Conservazione del carburante

Il carburante può essere conservato per un tempo limitato. Le miscele di carburante si deteriorano a causa dell'evaporazione, specialmente ad alte temperature. Il carburante e le miscele di carburante deteriorati possono causare problemi di avviamento e danni al motore. Acquistare solamente la quantità di carburante che sarà consumata nei prossimi mesi. Alle alte temperature, il carburante miscelato deve essere utilizzato entro 6-8 settimane.

Conservare il carburante negli appositi contenitori, in luoghi freschi, asciutti e sicuri.

Olio per catena

Per la lubrificazione della catena e della barra di guida, utilizzare un olio con additivi adesivi. L'additivo adesivo impedisce che l'olio sia consumato troppo rapidamente dalla catena.

Si consiglia utilizzare l'olio per catena originale Dolmar o un olio per catena biodegradabile al fine di proteggere l'ambiente. L'uso di oli biodegradabili può essere imposto dalle normative locali.

L'olio biodegradabile rimane stabile per un periodo limitato. Deve essere utilizzato entro 2 anni dalla data di produzione (stampata sul contenitore).

Nota importante sugli oli per catena biodegradabili

Se non si intende utilizzare la sega per un periodo prolungato, svuotare il serbatoio dell'olio e versarvi una piccola quantità di normale olio per motori (SAE 30), quindi azionare la sega per qualche istante. Questa operazione consente di rimuovere i residui di olio biodegradabile dal serbatoio dell'olio, dall'impianto di erogazione dell'olio, dalla catena e dalla barra di guida, in quanto molti oli tendono a lasciare residui adesivi che, con il tempo, possono causare danni alla pompa dell'olio o ad altri componenti.

NON UTILIZZARE OLIO ESAUSTO

L'olio esausto è molto pericoloso per l'ambiente.

L'olio esausto contiene elevate quantità di sostanze cancerogene.

I residui di olio esausto provocano un elevato grado di usura della pompa dell'olio e dell'utensile di taglio.

La garanzia non copre i danni causati dall'uso di olio esausto o di olio per catena inadatto.

Rifornimento del carburante e dell'olio per catena

⚠ AVVERTENZA:

- RISPETTARE LE PRECAUZIONI PER LA SICUREZZA. Prestare la massima attenzione quando si maneggia il carburante.
- Spegnerne il motore.

⚠ ATTENZIONE:

- Dopo l'operazione di rifornimento, pulire il tappo del serbatoio e la zona circostante.

Procedere come segue per rifornire il carburante o l'olio per catena:

1. Pulire con cura la zona intorno ai tappi per evitare la penetrazione dello sporco nel serbatoio del carburante o dell'olio.
2. Svitare il tappo e riempire ogni serbatoio rispettivamente con carburante (miscela di olio e carburante) e olio per catena.
3. Riempire fino al bordo inferiore del bocchettone. Evitare le fuoriuscite di carburante e olio per catena.
4. Serrare i tappi dei serbatoi a mano.

Lubrificazione della catena

⚠ AVVERTENZA:

- Controllare il serbatoio dell'olio per catena solo a motore spento. Durante il funzionamento dell'utensile il serbatoio dell'olio per catena deve sempre contenere olio per catena sufficiente a garantire una corretta lubrificazione della catena.

Con un'erogazione media dell'olio, la capacità del serbatoio dell'olio equivale circa al tempo di funzionamento di un serbatoio di carburante.

Prima della messa in funzione o del rifornimento, controllare il livello dell'olio per catena e, se necessario, effettuare il rifornimento.

Regolazione della lubrificazione della catena

⚠ AVVERTENZA:

- Spegnerne il motore.

È possibile regolare la velocità di erogazione della pompa dell'olio con la vite di regolazione. Sono disponibili tre livelli per la velocità di erogazione della pompa dell'olio: alto, medio e basso.

La vite di regolazione si trova nella parte inferiore della motosega. Utilizzare un cacciavite e regolare opportunamente la quantità erogata d'olio.

Pulizia della guida dell'olio

Per garantire un funzionamento sicuro della pompa dell'olio, pulire regolarmente la scanalatura di guida dell'olio sul corpo e il foro di erogazione dell'olio sulla barra di guida.

Controllo della lubrificazione della catena

⚠ ATTENZIONE:

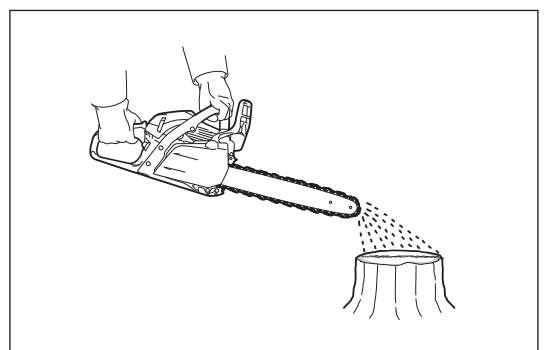
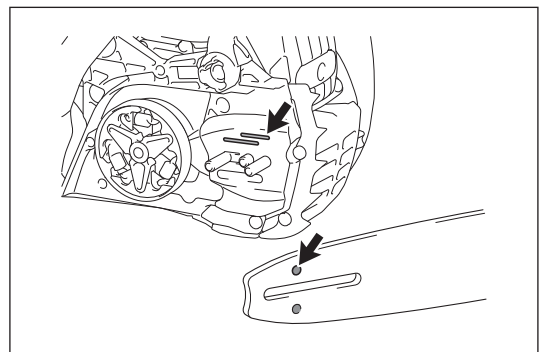
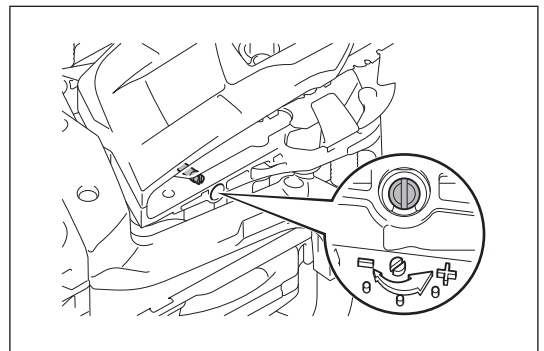
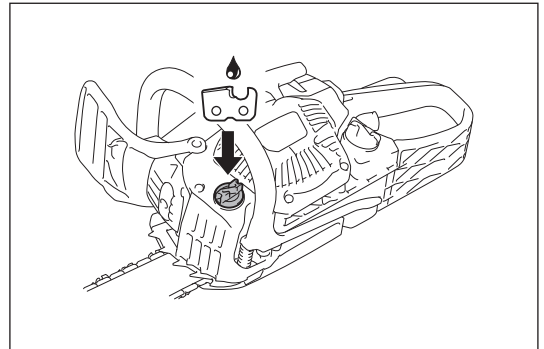
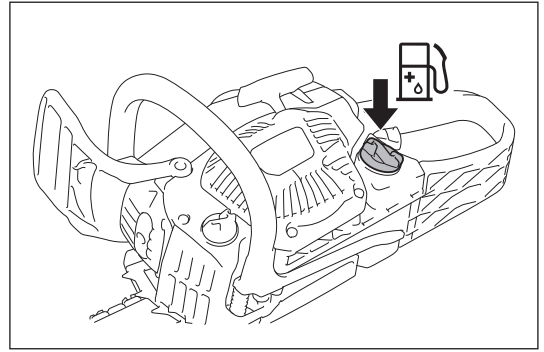
- Non utilizzare la motosega se la lubrificazione della catena è insufficiente. In caso contrario, la durata della catena della sega e della barra di guida si ridurrà notevolmente.
- Prima di iniziare il lavoro, controllare il livello dell'olio nel serbatoio e valutare l'erogazione dell'olio.
- Prestare attenzione alla direzione del vento ed evitare un'inutile esposizione all'olio nebulizzato.

Verificare la velocità di erogazione dell'olio procedendo come segue:

1. Avviare la motosega.
2. Tenere la motosega in funzione circa 15 cm (6") sopra un tronco o sopra il terreno (utilizzare una base adeguata).
3. Se la lubrificazione è sufficiente sarà possibile vedere leggere tracce dell'olio disperso dalla catena.

NOTA:

- Dopo aver spento la motosega, è normale che l'olio per catena residuo goccioli dal sistema di erogazione dell'olio, dalla barra di guida e dalla catena per qualche tempo. Non si tratta di un difetto. Appoggiare la sega su una superficie idonea.



AVVIAMENTO E ARRESTO DEL MOTORE

⚠ AVVERTENZA:

- Non avviare il motore prima di avere montato e controllato interamente la motosega.

⚠ ATTENZIONE:

- Allontanarsi di almeno 3 metri (10 ft) dal luogo in cui è stato effettuato il rifornimento di carburante della motosega.
- Assicurarsi di avere una buona aderenza al terreno e appoggiare a terra la sega.
- Assicurarsi che la barra di guida e la catena della sega non siano a contatto con alcun oggetto.
- Non dimenticare di attivare il freno catena prima di avviare il motore.

AVVISO:

- Non tirare la corda fino alla completa estensione.
- Riportare delicatamente l'interruttore di avviamento nell'alloggiamento. In caso contrario, l'interruttore di avviamento rilasciato potrebbe colpire l'operatore oppure potrebbe non riavvolgersi correttamente.
- Il motore deve essere messo al minimo subito dopo l'avviamento. In caso contrario, la frizione potrebbe subire danni; rivolgersi a un centro assistenza autorizzato.

Avviamento del motore

1. Attivare il freno catena (sicura).
2. Afferrare saldamente l'impugnatura anteriore con la mano sinistra e premere la motosega contro il terreno.
3. Tenere premuta la protezione posteriore con il piede destro.
4. Avviare il motore in base alle circostanze, attenendosi alle indicazioni di seguito.

Avviamento a freddo

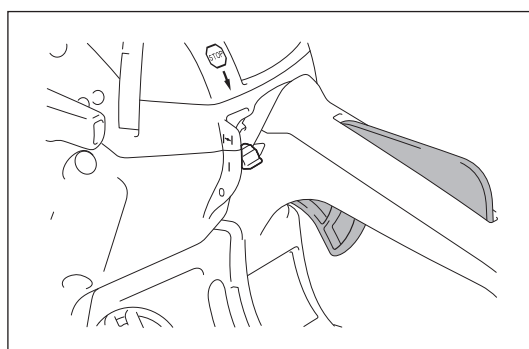
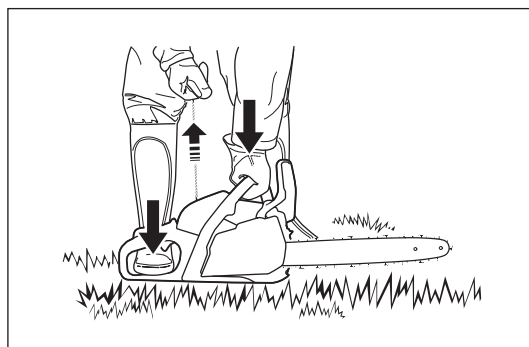
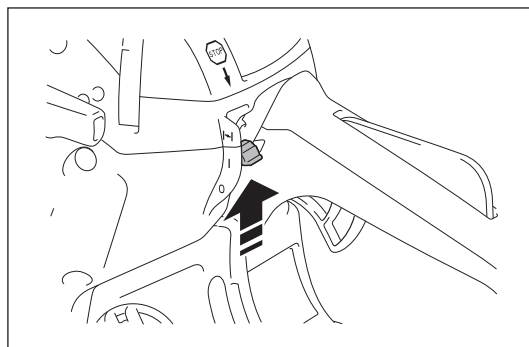
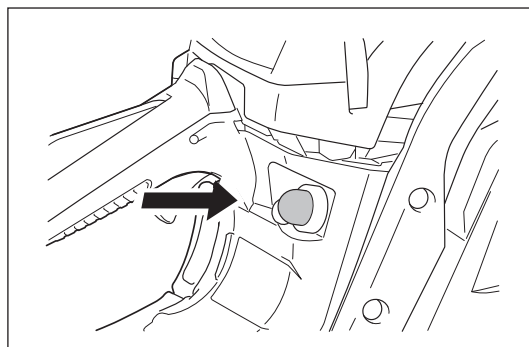
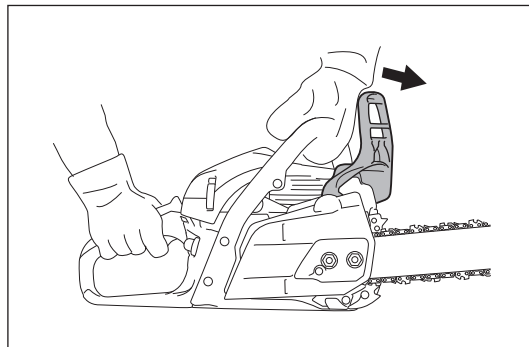
Se il motore non è stato utilizzato prima dell'avviamento, procedere come segue:

1. Premere più volte la pompa di adescamento finché il carburante non affluisce nella pompa (in generale sono necessarie da 7 a 10 pressioni).
2. Spostare verso l'alto l'interruttore a combinazione (posizione di avviamento a freddo). Con questa operazione viene attivato anche il bloccaggio a metà dell'acceleratore.
3. Tirare lentamente l'interruttore di avviamento fino a sentire una compressione. Tirarla quindi con forza. Potrebbero essere necessari da due a quattro tentativi per avviare il motore.
4. Non appena il motore si è avviato, portare l'interruttore a combinazione nella posizione intermedia (I). Tirare quindi con forza l'interruttore di avviamento finché il motore non entra a regime.
5. Afferrare l'impugnatura posteriore (rilasciando così la sicura della leva dell'acceleratore) e tirare leggermente la leva dell'acceleratore per poi rilasciarla.
6. Rilasciare il freno catena.

Avviamento a caldo

Se il motore è già stato utilizzato prima dell'avviamento ed è ancora caldo, procedere come segue:

1. Premere più volte la pompa di adescamento finché il carburante non affluisce nella pompa (in generale sono necessarie da 7 a 10 pressioni).
2. Portare l'interruttore a combinazione nella posizione superiore (avviamento a freddo) e quindi nella posizione intermedia (I).
3. Tirare lentamente l'interruttore di avviamento fino a sentire una compressione. Tirarla quindi con forza. Potrebbero essere necessari da due a quattro tentativi per avviare il motore. Se il motore non si avvia, eseguire i passaggi per l'avviamento a freddo (vedere la sezione "Avviamento a freddo"). Non appena il motore entra a regime, afferrare l'impugnatura posteriore (rilasciando così la sicura della leva dell'acceleratore) e tirare leggermente la leva dell'acceleratore per poi rilasciarla.
4. Rilasciare il freno catena.

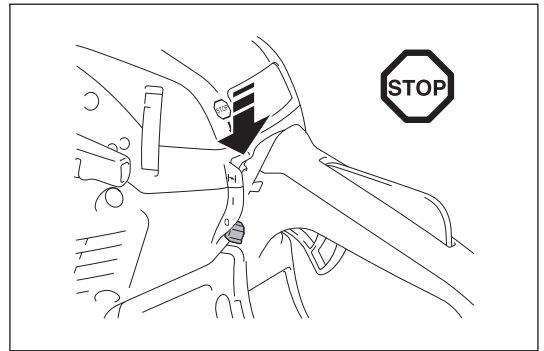


Spegnimento del motore

Rilasciare la leva dell'acceleratore e portare l'interruttore a combinazione nella posizione inferiore (O).

L'interruttore a combinazione ritorna automaticamente nella posizione (I). Il motore si spegne quando l'interruttore è nella posizione OFF, ma è pronto per essere avviato.

Per eliminare la corrente di accensione, premere a fondo l'interruttore a combinazione per portarlo nella posizione di sicurezza (O), superando il punto di resistenza.



Regolazione della velocità al minimo

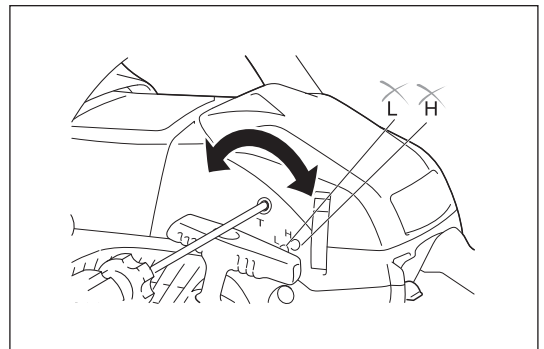
⚠ AVVERTENZA:

- Non regolare la velocità al minimo prima di avere montato e controllato interamente la motosega.
- Se la catena della sega è ancora in movimento al regime minimo, anche dopo la regolazione, interrompere immediatamente l'uso della motosega e consegnarla a un centro assistenza autorizzato Dolmar per la riparazione.

⚠ ATTENZIONE:

- Non regolare le viti indicate con (H) e (L) nella figura. Se la catena della sega è in movimento al regime minimo senza che venga tirata la leva dell'acceleratore, è necessario regolare la velocità al minimo. Per regolare la velocità al minimo, procedere come segue:

1. Avviare e scaldare il motore per due o tre minuti, senza portarlo ad alta velocità.
2. Per ridurre la velocità al minimo, ruotare la vite di regolazione in senso antiorario.
3. Per aumentare la velocità al minimo, ruotare la vite di regolazione in senso orario.
4. Assicurarsi che la catena della sega non si muova con la velocità al minimo.



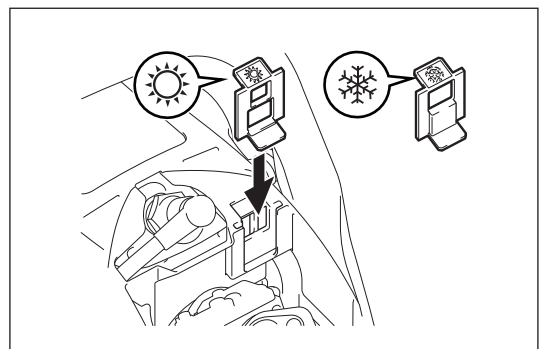
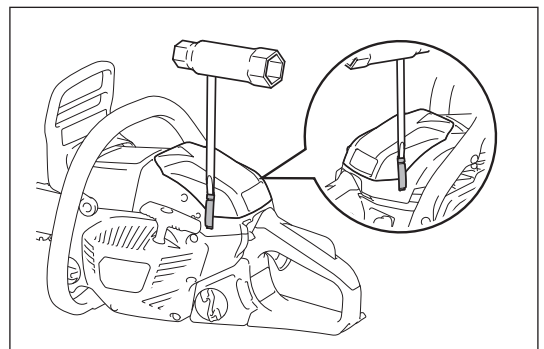
Prevenzione della formazione di ghiaccio sul carburatore

AVVISO:

- Se la temperatura ambiente è superiore a 5°C, riportare sempre lo schermo nella posizione normale (simbolo del sole). In caso contrario, il motore potrebbe subire danni da surriscaldamento.

Se la temperatura ambiente è bassa (tra 0°C e 5°C) e l'umidità è alta, il vapore acqueo potrebbe congelarsi all'interno del carburatore e il motore funzionerebbe in maniera instabile (formazione di ghiaccio sul carburatore). Cambiare l'impostazione dello schermo come indicato di seguito, se necessario.

1. Aprire il coperchio del dispositivo di pulizia.
2. Estrarre lo schermo.
3. Collocare lo schermo nella posizione antigelo (simbolo della neve).
4. Rimontare il coperchio del dispositivo di pulizia.



⚠ AVVERTENZA:

- Assicurarsi che la motosega sia spenta e staccare la candela prima di eseguire interventi di manutenzione o ispezione.
- Attendere che il motore si raffreddi prima di eseguire interventi di manutenzione.
- Indossare sempre i guanti protettivi.
- Avviare la motosega solo dopo averla interamente montata e ispezionata.
- Mantenere l'utensile a distanza dalle fiamme libere e non fumare.

⚠ ATTENZIONE:

- Per mantenere la SICUREZZA e l'AFFIDABILITÀ del prodotto, gli interventi di riparazione, manutenzione o regolazione non specificati nel presente manuale devono essere effettuati da centri assistenza autorizzati Dolmar. Utilizzare sempre ricambi Dolmar.

Affilatura della catena della sega

La catena deve essere affilata quando:

- I trucioli prodotti dal taglio sembrano segatura.
- La catena penetra nel legno solo con una forte pressione.
- Il tagliente è visibilmente danneggiato.
- La sega vira a destra o sinistra durante il taglio. Questo comportamento è causato da un'affilatura non uniforme della catena.

AVVISO:

- Ripetere spesso l'affilatura, ma senza rimuovere troppo metallo. In genere, sono sufficienti due o tre colpi di lima.
- Dopo aver affilato personalmente la catena diverse volte, richiedere l'affilatura presso un centro assistenza.

Affilatura corretta

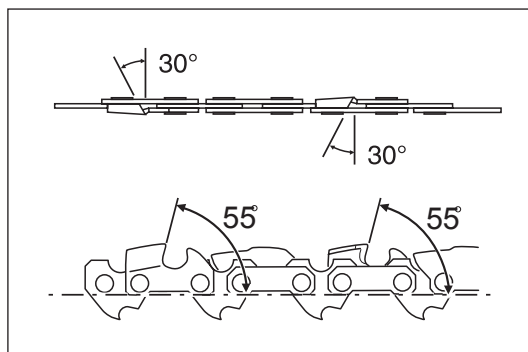
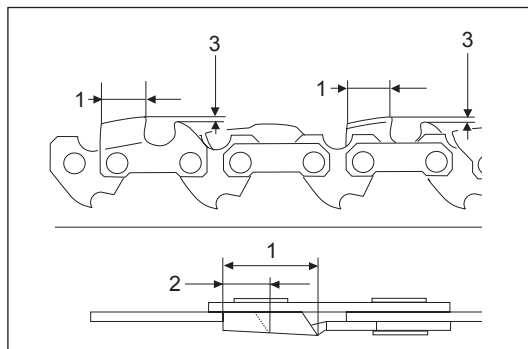
⚠ ATTENZIONE:

- Utilizzare solamente catene e barre di guida studiate per questa sega.
- Una profondità eccessiva (3) aumenta il pericolo di contraccolpi.

Criteria di affilatura (per la catena della sega 492 (91PX))

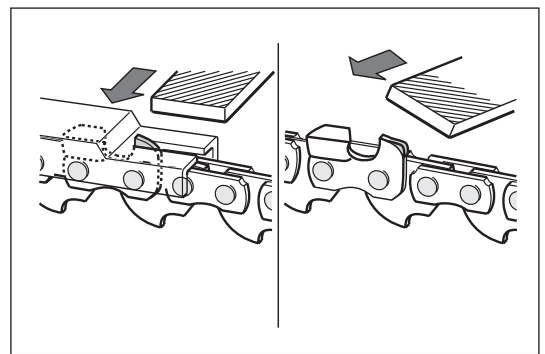
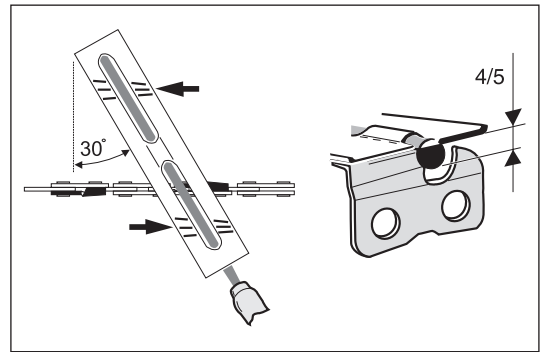
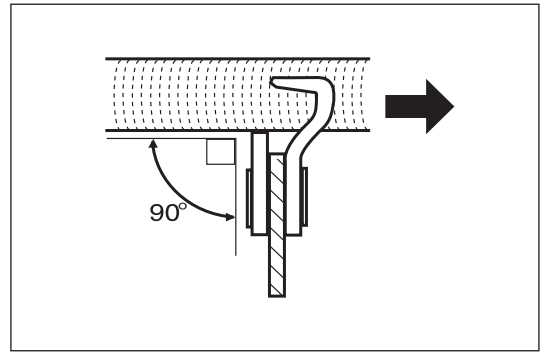
- Mantenere la stessa lunghezza per tutte le parti taglienti (1) della catena della sega. L'uso di parti taglienti con lunghezze diverse può causare uno scorrimento non uniforme, con conseguente pericolo di rottura della catena.
- Lunghezza minima del tagliente (2): 4 mm. Non affilare la catena se la lunghezza della parte tagliente diventa inferiore a 4 mm. A questo punto occorre sostituire la catena della sega.
- La profondità del taglio (3) è determinata dalla differenza in altezza tra il misuratore di profondità (dentino arrotondato) e il tagliente.
- I risultati migliori si ottengono con una profondità di 0,64 mm (0,025").

- Mantenere l'angolo di affilatura a 30° per tutte le parti taglienti.
- Utilizzare un'apposita lima arrotondata per mantenere il corretto angolo di affilatura di 55° contro i denti.
- Affilare i taglienti con l'angolazione corretta, altrimenti la catena potrebbe scorrere in maniera irregolare, subendo un'usura superiore e correndo il rischio di rottura.



Lime e guide per lime

- Utilizzare un'apposita lima arrotondata (accessorio opzionale) per l'affilatura delle catene della sega. Le normali lime arrotondate non sono idonee.
- Utilizzare una lima arrotondata con diametro 4,0 mm.
- La lima deve passare sulla parte tagliente solo durante il colpo in avanti. Sollevare la lima dalla parte di tagliente nel percorso di ritorno.
- Limare innanzitutto il tagliente più corto. La lunghezza del tagliente più corto diverrà così lo standard per tutti gli altri taglienti sulla catena della sega.
- Guidare la lima come mostrato nella figura.
- Un supporto per lime (accessorio opzionale) permette di guidare più facilmente la lima. Il supporto per lime dispone di indicatori per il corretto angolo di affilatura di 30°. Durante l'uso del supporto per lime, allineare gli indicatori parallelamente alla catena della sega e limitare la profondità di limatura a 4/5 del diametro della lima.
- Dopo aver affilato la catena, verificare la profondità del taglio utilizzando l'utensile di misurazione della catena (accessorio opzionale).
- Rimuovere gli eccessi con un'apposita lima piatta (accessorio opzionale).
- Arrotondare il bordo anteriore del misuratore di profondità.



Pulizia dell'area interna al coperchio della catena

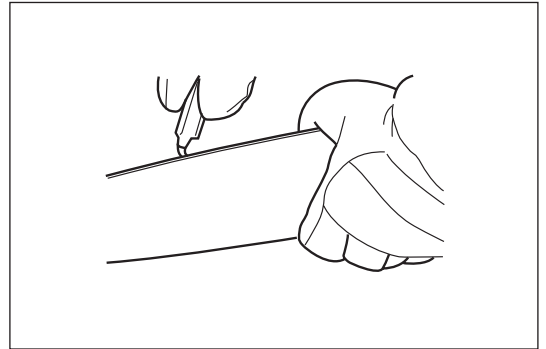
Rimuovere il coperchio della catena, la catena della sega e la barra di guida.
Pulire l'area interna al coperchio della catena con un pennello.

AVVISO:

Assicurarsi che non vi siano residui o corpi estranei nella scanalatura della guida dell'olio, sul perno di tensionamento della catena e sulla fascia del freno.

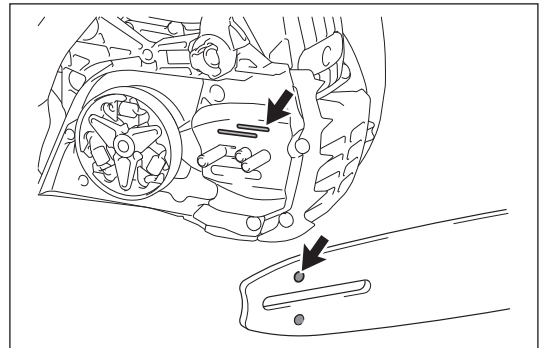
Pulizia della barra di guida

Controllare regolarmente le superfici di scorrimento della barra per verificare che non siano danneggiate. Pulirle con un attrezzo idoneo.



Pulizia della guida dell'olio

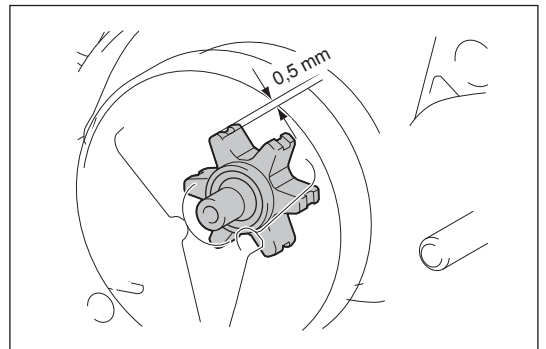
Pulire regolarmente la scanalatura della guida dell'olio e il foro di erogazione dell'olio sulla barra.



Controllo del pignone

⚠ ATTENZIONE:

Un pignone usurato provocherà danni a una nuova catena della sega. Non utilizzare una catena nuova su un pignone usurato. Controllare il pignone prima di montare una nuova catena della sega. Rivolgersi a un centro assistenza autorizzato Dolmar per la riparazione qualora si rilevino difetti o segni di usura superiori a 0,5 mm sul pignone.



Pulizia del filtro dell'aria

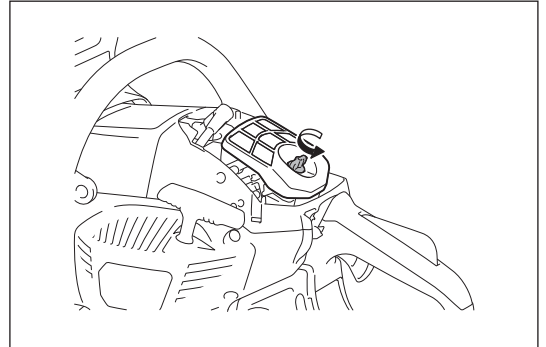
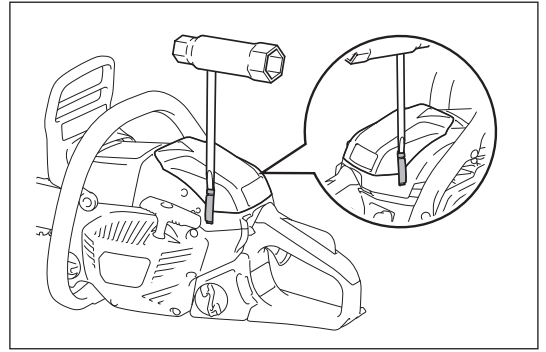
⚠ ATTENZIONE:

- Indossare sempre una protezione per gli occhi.
- Per pulire il filtro dell'aria, procedere come segue:

1. Spostare in alto l'interruttore a combinazione (posizione di avviamento a freddo) per evitare la penetrazione nel carburatore di sporcizia o corpi estranei.
2. Aprire due ganci con un cacciavite piatto e rimuovere il coperchio del dispositivo di pulizia.
3. Allentare il dado e rimuovere il filtro dell'aria.

NOTA:

- Durante la pulizia, coprire l'apertura con un panno pulito per evitare la penetrazione nel carburatore di sporcizia o corpi estranei.
 - Sostituire subito il filtro dell'aria se appare danneggiato.
4. Batterlo o pulirlo con un pennello o un compressore d'aria per rimuovere la sporcizia.
 5. Sostituire il filtro dell'aria se è molto sporco.
 6. Rimontare il filtro dell'aria e il coperchio del dispositivo di pulizia eseguendo in ordine inverso i passaggi precedenti.



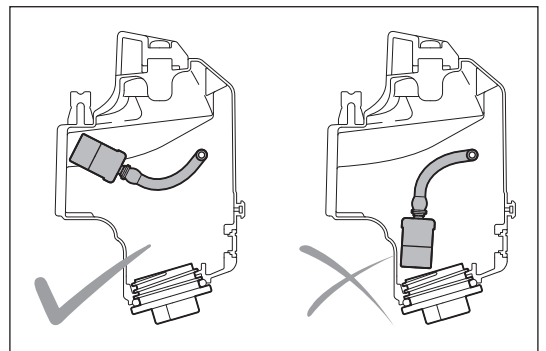
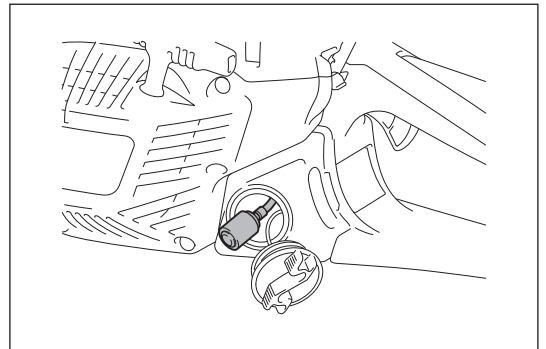
Pulizia del filtro del carburante

Il filtro del carburante della testina di aspirazione è utilizzato per filtrare il carburante richiesto dal carburatore. Eseguire periodicamente un'ispezione visiva.

1. Aprire il tappo del serbatoio e, con un gancio metallico, estrarre la testina di aspirazione attraverso l'apertura.
2. Un filtro rigido o intasato deve essere sostituito.
3. Dopo aver eseguito le operazioni di controllo, pulizia o sostituzione, fissare il filtro del carburante sul tubo del carburante con la ganascia del tubo. Spingere il filtro del carburante fino in fondo al serbatoio del carburante.

NOTA:

- Si consiglia di sostituire il filtro del carburante almeno una volta ogni tre mesi per garantire un'adeguata erogazione del carburante al carburatore. Un'erogazione insufficiente del carburante può causare problemi al motore.

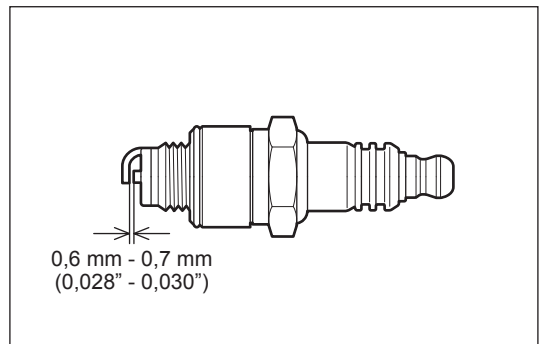


Controllo della candela

⚠ ATTENZIONE:

- Non toccare mai il connettore della candela mentre il motore è in funzione (pericolo di scossa elettrica ad alta tensione).

Lo spazio tra i due elettrodi della candela dovrebbe essere compreso tra 0,6 mm e 0,7 mm (0,028" - 0,030"). Se la distanza è superiore o inferiore a questo intervallo, è necessario regolarla. Se la candela è ostruita o contaminata occorre pulirla accuratamente o sostituirla.



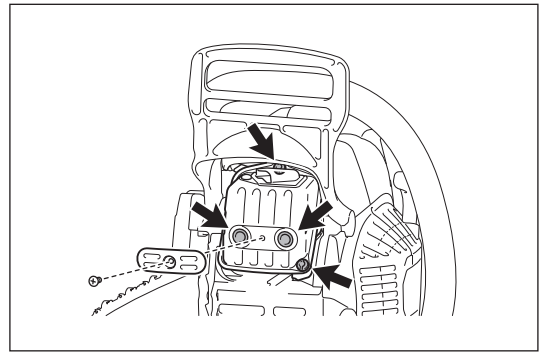
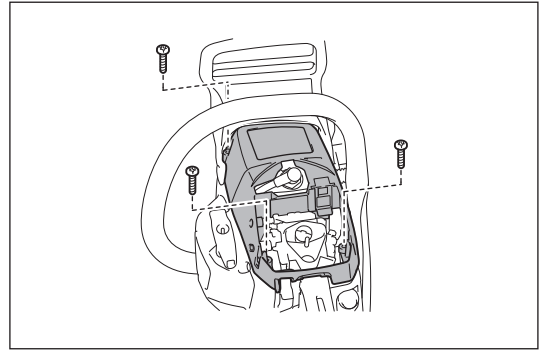
Pulizia dello spazio del cilindro

⚠ ATTENZIONE:

- Indossare sempre una protezione per gli occhi.
- Dopo un lungo periodo di funzionamento è possibile che si sia accumulata polvere nello spazio del cilindro, che potrebbe causare un surriscaldamento del motore. Effettuare di tanto in tanto la pulizia dello spazio del cilindro. Procedere come indicato di seguito per la pulizia:
1. Aprire due ganci e rimuovere il coperchio del dispositivo di pulizia.
 2. Rimuovere il filtro dell'aria.

NOTA:

- Durante la pulizia, coprire l'apertura con un panno pulito per evitare la penetrazione nel carburatore di sporcizia o corpi estranei.
3. Rimuovere tre viti e quindi il coperchio del cilindro. Il coperchio del cilindro può essere rimosso più facilmente spostando avanti il paramano anteriore.
 4. Pulire lo spazio e le alette del cilindro. Utilizzare un pennello o un compressore d'aria, se necessario.
 5. Dopo la pulizia, rimontare il coperchio del cilindro, il filtro dell'aria e il coperchio del dispositivo di pulizia.



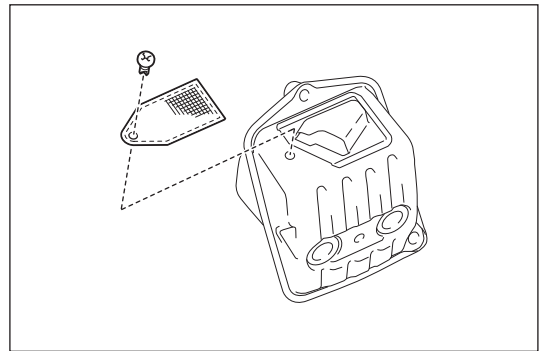
Controllo delle viti sulla marmitta

Rimuovere il coperchio del cilindro e il coperchio antipolvere, quindi verificare che le quattro viti sulla marmitta siano ben serrate. Se appaiono allentate, serrarle.

Controllo del parascintille

⚠ ATTENZIONE:

- Non avviare il motore se il parascintille è danneggiato o assente. Il parascintille impedisce la fuoriuscita dal tubo di scarico di carbonio caldo. Controllare regolarmente il parascintille procedendo come segue:
1. Rimuovere il coperchio del cilindro.
 2. Rimuovere la vite di fermo del parascintille. La vite può essere rimossa più facilmente spostando avanti il paramano anteriore. Fare quindi scorrere il parascintille.
- Pulire il parascintille, se necessario, con una spazzola metallica. Sostituire il parascintille, se appare danneggiato.



Pulizia delle parti

Tenere sempre pulito il motore strofinandolo con uno straccio.

Ispezione di bulloni, dadi e viti

- Controllare bulloni, viti e così via, serrandoli se necessario.
- Controllare che il tappo del carburante e il tappo dell'olio siano serrati. Controllare eventuali perdite di carburante.
- Sostituire le parti danneggiate per garantire la sicurezza.

Stoccaggio dell'utensile

⚠ ATTENZIONE:

- Subito dopo lo spegnimento il motore è ancora caldo. Durante il drenaggio del carburante, attendere il tempo necessario affinché il motore si raffreddi dopo lo spegnimento. In caso contrario potrebbero verificarsi ustioni e/o incendi.
- In caso di inutilizzo prolungato dell'utensile, drenare tutto il carburante dal serbatoio e dal carburatore e conservare l'utensile in un ambiente pulito e asciutto.

L'olio biodegradabile per la catena della motosega può essere conservato per un periodo limitato. A due anni dalla produzione, gli oli biodegradabili iniziano ad acquisire una certa viscosità che provoca danni alla pompa dell'olio e ai componenti del sistema di lubrificazione.

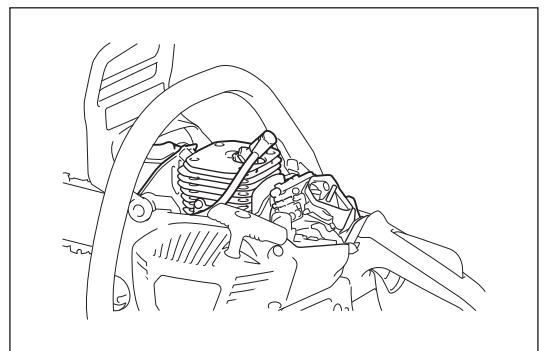
- Prima di stoccare la motosega per un lungo periodo di inutilizzo, svuotare il serbatoio dell'olio e riempirlo con una piccola quantità di olio motore (SAE 30).
- Accendere la motosega per qualche secondo per espellere i residui di olio biodegradabile dal serbatoio, dal sistema di lubrificazione e dal meccanismo della sega.

Conservare la motosega su una superficie idonea.

Prima di riutilizzare la motosega, riempire il serbatoio con olio biodegradabile per la catena della motosega nuovo.

NOTA:

- Se la motosega viene messa fuori servizio, per qualche tempo potrebbero verificarsi piccole perdite di olio per catena. Si tratta di un fenomeno normale e non è indice di un guasto.



INTERVALLO DI MANUTENZIONE

Per prolungare la durata dell'utensile e garantire il corretto funzionamento di tutte le caratteristiche per la sicurezza, svolgere regolarmente gli interventi di manutenzione.

Componente	Tempo di funzionamento	Prima dell'uso	Ogni giorno	Ogni settimana	Ogni 3 mesi	Ogni anno	Prima dello stoccaggio
Motosega	Ispezione.	○					
	Pulizia.		○				
	Richiedere un controllo presso un centro assistenza autorizzato.					○	
Catena della sega	Ispezione. / Effettuare l'affilatura, se necessario.	○					
Barra di guida	Ispezione.	○					
Freno catena	Controllo del funzionamento.	○					
	Richiederne regolarmente l'ispezione presso un centro assistenza autorizzato.				○		
Corda di avviamento	Ispezione.	○					
Lubrificazione della catena	Controllare la velocità di erogazione dell'olio.	○					
Interruttore a combinazione	Ispezione.	○					
Sicura della leva dell'acceleratore	Ispezione.	○					
Leva dell'acceleratore	Ispezione.	○					
Tappo del serbatoio del carburante	Controllare la chiusura.	○					
Tappo del serbatoio dell'olio	Controllare la chiusura.	○					
Filtro dell'aria	Pulizia.		○				
Velocità al minimo	La catena della sega non deve muoversi al regime minimo.		○				
Spazio del cilindro	Pulizia.			○			
Candela	Ispezione. / Pulizia. / Effettuare la sostituzione, se necessario.				○		
Parascintille	Ispezione. / Pulizia. / Effettuare la sostituzione, se necessario.				○		
Marmitta	Controllare che le viti siano serrate.			○			
Perno fermacatena	Ispezione.			○			
Viti e dadi	Ispezione.			○			
Filtro del carburante	Ispezione. / Effettuare la sostituzione, se necessario.				○		
Serbatoio del carburante	Svuotare.						○
Carburatore	Far funzionare a secco.						○

* Prima di svuotare l'olio, individuare la modalità più adatta per lo smaltimento dell'olio esausto. Non versarlo negli scarichi, nel terreno o nei corsi d'acqua. Le normative ambientali locali contengono istruzioni dettagliate sulle modalità di smaltimento adeguate.

RISOLUZIONE DEI PROBLEMI

Prima di richiedere una riparazione è opportuno valutare il problema autonomamente. Per le riparazioni, rivolgersi ai centri assistenza autorizzati.

Problema di funzionamento	Possibile causa	Soluzione
La catena non si muove.	È inserito il freno catena.	Rilasciare il freno catena.
Il motore non si avvia.	Problema di funzionamento della candela.	Controllare la candela.
	Il serbatoio del carburante è vuoto.	Riempire il serbatoio del carburante.
	Problema di erogazione del carburante	Verificare che il filtro del carburante non sia intasato.
	Problema di funzionamento dell'utensile.	Rivolgersi al centro assistenza autorizzato di zona per la riparazione.
Prestazioni insufficienti.	Il filtro dell'aria è sporco.	Pulire il filtro dell'aria. Effettuare la sostituzione, se necessario.
	Lo spazio del cilindro è sporco.	Pulire lo spazio del cilindro.
	La temperatura ambiente è molto bassa.	Cambiare l'impostazione dello schermo sul carburatore. Vedere la sezione "Prevenzione della formazione di ghiaccio sul carburatore".
Assenza di olio sulla catena della sega.	Il serbatoio dell'olio è vuoto.	Riempire il serbatoio dell'olio.
	La scanalatura di guida dell'olio è sporca.	Pulire la scanalatura.
	L'erogazione dell'olio non è impostata correttamente.	Regolare la quantità di olio erogato.
	Problema di funzionamento della pompa dell'olio.	Rivolgersi al centro assistenza autorizzato di zona per la riparazione.
La catena non si ferma nemmeno attivando il freno catena.	Nastro del freno usurato.	Interrompere immediatamente l'uso dell'utensile e rivolgersi al centro assistenza autorizzato di zona per la riparazione.
L'utensile vibra in modo anomalo.	Barra di guida o catena della sega allentata.	Regolare la tensione della barra di guida e della catena della sega.
	Problema di funzionamento dell'utensile.	Interrompere immediatamente l'uso dell'utensile e rivolgersi al centro assistenza autorizzato di zona per la riparazione.
La catena non si ferma nemmeno se il motore è al minimo.	La velocità al minimo è troppo alta.	Correggere la velocità al minimo.
	Difetto della frizione.	Interrompere immediatamente l'uso dell'utensile e rivolgersi al centro assistenza autorizzato di zona per la riparazione.

Inhoud

Pagina

Symbolen..... 102
 Veiligheidsvoorzorgsmaatregelen..... 103
 Technische gegevens..... 109
 Namen van onderdelen..... 110
 Veiligheidsfunctie van kettingzaag..... 111
 De onderdelen monteren..... 113
 Vóór gebruik..... 116
 De motor starten en stoppen..... 118
 Onderhoud..... 120
 Onderhoudsinterval..... 125
 Problemen oplossen..... 126

SYMBOLEN

	Lees de gebruiksaanwijzing en volg de waarschuwingen en veiligheidsvoorzorgsmaatregelen op!		Voorzichtig, terugslag!
	Bijzondere zorg en voorzichtigheid!		
	Verboden!		Kettingrem
	Draag een veiligheidshelm, gezichts- en gehoorbescherming!		Houd de kettingzaag tijdens het werk met beide handen vast! Gebruik met slechts één hand is uitermate gevaarlijk.
	Draag veiligheidshandschoenen!		Benzine-oliemengsel
	Verboden te roken!		Kettingolie bijvullen, oliepomp
	Geen open vuur!		Stelschroef voor zaagkettingolie
	Zet de motor uit!		Brandstofhandpomp
	Start de motor		Draairichting van de zaagketting
	Combinatieschakelaar (choke-aan-uit)		EHBO

VEILIGHEIDSVORZORGSMAATREGELEN

Gebruiksdoeleinden

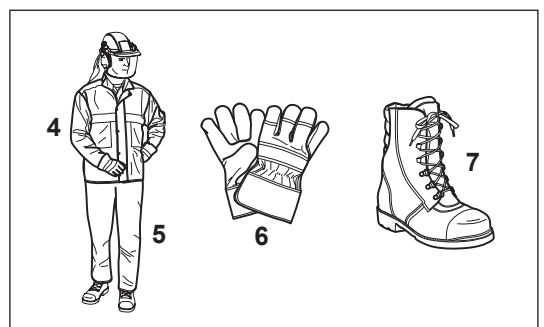
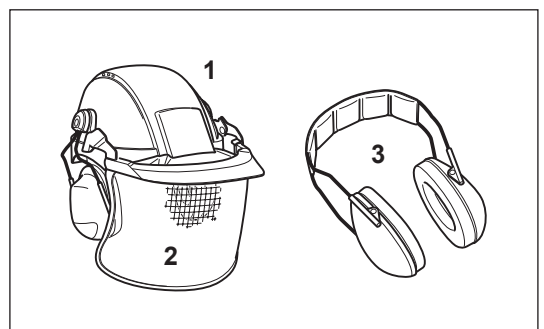
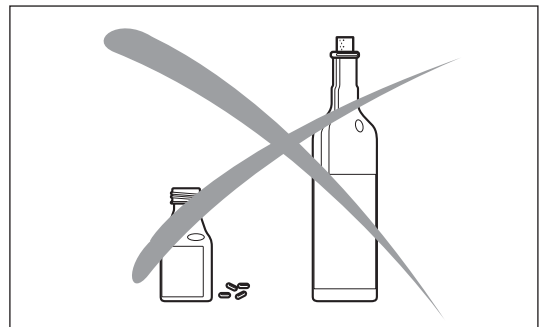
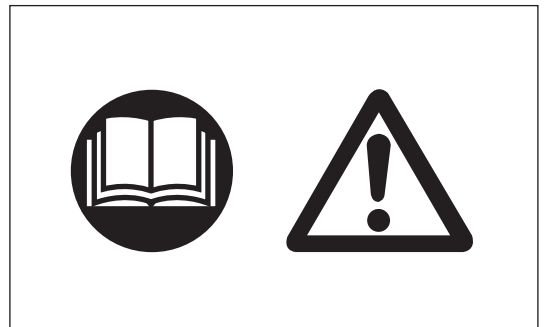
Deze kettingzaag is uitsluitend bedoeld voor het zagen van hout in de buitenlucht.

Algemene voorzorgsmaatregelen

- **Om een juiste bediening te garanderen, moet de gebruiker deze gebruiksaanwijzing lezen** om zichzelf bekend te maken met de eigenschappen van de kettingzaag. Gebruikers die onvoldoende geïnformeerd zijn, brengen zichzelf en anderen in gevaar als gevolg van onjuist omgaan met het gereedschap.
- Wij adviseren u de kettingzaag alleen uit te lenen aan personen die ervaring hebben met het werken met een kettingzaag. Geef altijd de gebruiksaanwijzing mee.
- Onervaren gebruikers dienen de dealer om basisinstructies te vragen om bekend te raken met de eigenschappen van motoraangedreven zagen, of deel te nemen aan een erkende cursus met instructie.
- Laat geen kinderen of jonge mensen die jonger zijn dan 18 jaar met de kettingzaag werken. Jongeren die ouder zijn dan 16 jaar mogen echter de kettingzaag gebruiken om te oefenen, zolang ze onder toezicht staan van een gekwalificeerde begeleider.
- Bedien de kettingzaag alleen als u in goede lichamelijke conditie bent. Als u vermoeid bent, kunt u zich minder goed concentreren. Wees met name voorzichtig aan het einde van de werkdag. Werk altijd rustig en voorzichtig. De gebruiker is aansprakelijk ten opzichte van anderen.
- Let altijd goed op, kijk naar wat u aan het doen bent, en gebruik uw gezond verstand tijdens het werken met een kettingzaag. Een ogenblik van onoplettendheid kan tijdens het gebruik leiden tot ernstig persoonlijk letsel.
- Gebruik de elektrische kettingzaag nooit nadat u alcohol, drugs of medicijnen hebt gebruikt.
- Binnenin de uitlaatdemper kunnen kankerverwekkende chemicaliën zitten. Vermijd aanraking daarvan in het geval de uitlaatdemper beschadigd is.
- Het ontstekingsstelsel van de motor produceert elektromagnetische golven tijdens gebruik. Dit kan onder bepaalde omstandigheden medische apparatuur hinderen, en kan ernstig letsel veroorzaken bij personen met een pacemaker. Wij adviseren personen met een pacemaker om hun arts en de fabrikant van de pacemaker te raadplegen alvorens de kettingzaag te gebruiken.
- Gebruik nooit een kettingzaag die lijkt te zijn gewijzigd.
- Een brandblusser en schop moeten beschikbaar zijn in de onmiddellijke omgeving tijdens het werken in snel ontvlambare vegetatie of wanneer het lang niet geregend heeft (gevaar van brand).
- Het gebruik van het gereedschap kan landelijk gereguleerd zijn. Houd u aan de nationale regelgeving met betrekking tot het gebruik van een kettingzaag.

Persoonlijke-veiligheidsuitrusting

- **Om letsels aan hoofd, ogen, handen of voeten te voorkomen en om uw gehoor te beschermen, moet de volgende veiligheidsuitrusting worden gebruikt tijdens het werken met de kettingzaag:**
- Het type kleding moet geschikt zijn, d.w.z. deze moet nauwsluitend zijn zonder u te hinderen. Draag geen juwelen of kleding die in de struiken kunnen verstrikt raken. Als u lang haar hebt, moet u een haarnetje gebruiken.
- Het is noodzakelijk een veiligheidshelm te dragen wanneer u met de kettingzaag werkt. U moet de veiligheidshelm (1) regelmatig controleren op beschadigingen en deze na uiterlijk 5 jaar vervangen. Gebruik alleen goedgekeurde veiligheidshelmen.
- Het spatscherm (2) van de veiligheidshelm (of de veiligheidsbril) beschermt u tegen zaagsel en houtsnippers. Draag tijdens het gebruik van de kettingzaag altijd een veiligheidsbril of een spatscherm om oogletsel te voorkomen.
- Draag geschikte geluidsbeschermingsmiddelen (oorbeschermers (3), oordopjes, enz.). Langdurige blootstelling aan geluid kan leiden tot permanente gehoorbeschadiging.
- Het veiligheidshesje (4) is voorzien van speciale, signaalgekleurde schouderbanden, comfortabel om te dragen en eenvoudig te onderhouden.
- De veiligheidsoverall (5) bestaat uit nylonmateriaal van 22 lagen en beschermt u tegen sneden. Wij adviseren u deze te gebruiken.
- Veiligheidshandschoenen (6) gemaakt van dik leer maken deel uit van de voorgeschreven uitrusting en moeten altijd worden gedragen tijdens het gebruik van de kettingzaag.
- Tijdens het gebruik van de kettingzaag moet u altijd lage of hoge veiligheidsschoenen (7) met antislipzolen, stalen neus en enkelbescherming dragen. Veiligheidsschoenen die zijn voorzien van een beschermende laag bieden bescherming tegen sneden en zorgen ervoor dat u stevig staat.
- Draag zo nodig een veiligheidsmasker. Langdurige blootstelling aan uitlaatgassen, kettingoliemist en zaagsel kunnen schadelijk zijn voor uw gezondheid.

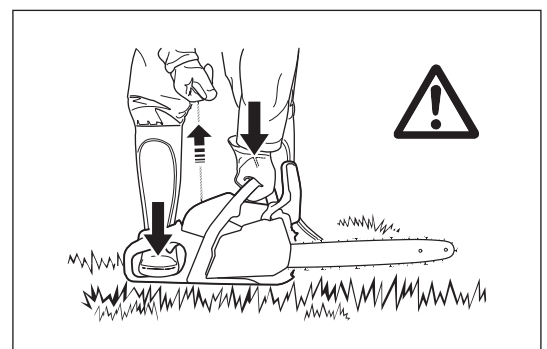
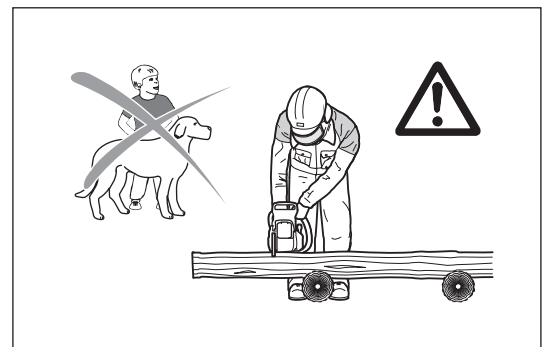
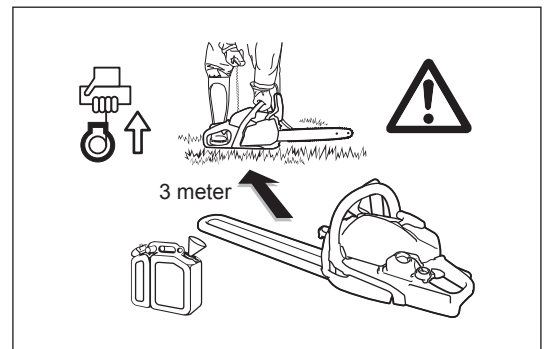


Brandstof en bijvullen

- Stop de motor voordat u brandstof bijvult in de kettingzaag.
- Niet roken of werken in de buurt van open vuur.
- Laat de motor afkoelen voordat u brandstof bijvult.
- Brandstoffen kunnen stoffen bevatten die soortgelijk zijn aan oplosmiddelen. Uw ogen en huid mogen niet in aanraking komen met minerale-olieproducten. Draag altijd veiligheidshandschoenen tijdens het bijvullen van de brandstof. Verschoon en was beschermende kleding veelvuldig. Adem geen brandstofdampen in. Het inademen van brandstofdampen kan schadelijk zijn voor uw gezondheid.
- Mors geen brandstof of kettingolie. Als u brandstof of olie hebt gemorst, maakt u onmiddellijk de buitenkant van de kettingzaag schoon. Brandstof mag niet op kleding komen. Als uw kleding in aanraking is gekomen met brandstof, trekt u direct schone kleding aan.
- Zorg ervoor dat brandstof of kettingolie niet in de grond komt (milieuverontreiniging). Werk op een geschikte ondergrond.
- Brandstof bijvullen is niet toegestaan in gesloten vertrekken. Brandstofdampen verzamelen zich vlak boven de vloer (explosiegevaar).
- Zorg ervoor dat de Schroefdoppen van de brandstoftank en olietank stevig vastgedraaid zijn.
- Verplaats de kettingzaag na het bijvullen van brandstof naar een andere plaats voordat u de motor start (minimaal 3 meter verwijderd van de plaats waar de brandstof is bijgevuld).
- Brandstof kan niet gedurende een onbeperkte tijd worden bewaard. Koop niet meer brandstof dan u in de nabije toekomst nodig zult hebben.
- Gebruik uitsluitend goedgekeurde en gemerkte flessen of jerrycans om brandstof of kettingolie in te bewaren en te vervoeren. Zorg ervoor dat kinderen niet bij de brandstof of kettingolie kunnen.

In gebruik nemen

- **Werk niet alleen. Een tweede persoon moet in de buurt zijn voor noodgevallen** (binnen roepafstand).
- Controleer dat geen kinderen of andere mensen zich binnen het werkgebied bevinden. Let ook op of er geen dieren in het werkgebied zijn.
- **Alvorens met de werkzaamheden te beginnen moet de kettingzaag worden gecontroleerd op een perfecte werking en bedrijfsveiligheid overeenkomstig de voorschriften. Gebruik nooit een defecte kettingzaag.** Controleer met name of de kettingrem goed werkt, het zaagblad correct is bevestigd, de zaagketting goed is geslepen en gespannen, het kettingdeksel stevig is bevestigd, de gashendel gemakkelijk beweegt en de gashendelvergrendeling goed werkt, de handgrepen schoon en droog zijn, en de werking van de combinatieschakelaar.
- Wanneer u de kettingzaag laat vallen, of deze op een andere manier wordt blootgesteld aan zware schokken, stopt u onmiddellijk met het gebruik van het gereedschap en inspecteert u het op tekenen van aanmerkelijke schade of defecten.
- Neem de kettingzaag alleen in gebruik als deze volledig in elkaar gezet is. Gebruik de kettingzaag nooit als deze niet volledig in elkaar gezet is.
- Controleer uw persoonlijke beschermingsmiddelen.
- Neem de kettingzaag alleen in gebruik zoals beschreven in deze gebruiksaanwijzing. Andere manieren van starten zijn niet toegestaan.
- Controleer voordat u de kettingzaag start of u stevig staat.
- Bij het starten van de kettingzaag moet deze goed ondersteund en stevig vastgehouden worden. Het zaagblad en de zaagketting mogen geen enkel voorwerp aanraken.
- Controleer of voldoende kettingolie op de zaagketting komt.



Bediening

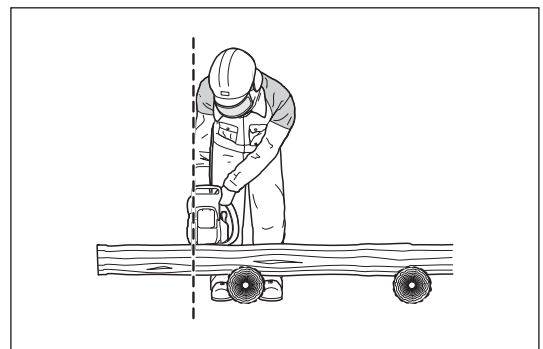
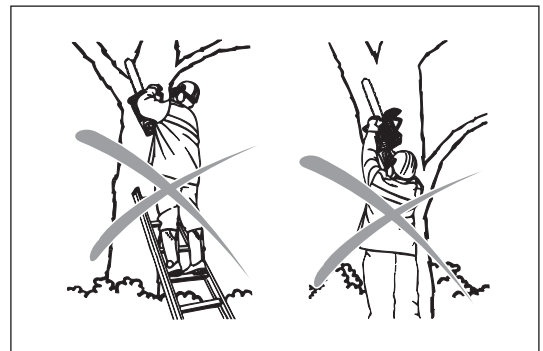
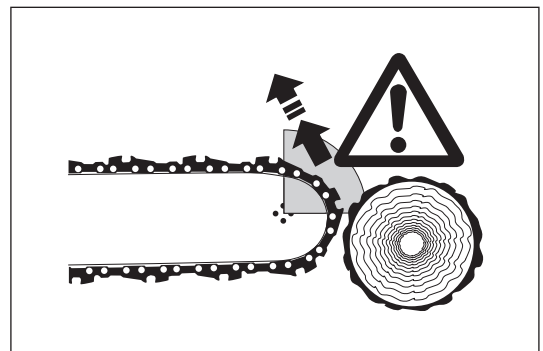
- **Houd de kettingzaag tijdens het werken altijd met twee handen vast.** Pak de achterhandgreep vast met uw rechterhand en de voorhandgreep met uw linkerhand. Houd de handgrepen stevig vast met uw duim in tegenovergestelde richting van uw vingers.
- **⚠ LET OP: Nadat u de gashendel hebt losgelaten, blijft de zaagketting nog een korte tijd doordraaien** (uitlopen).
- Zorg er voortdurend voor dat u stevig staat.
- Houd de kettingzaag zodanig vast dat u niet de uitlaatgassen inademt. Werk niet in gesloten vertrekken (gevaar van vergiftiging).
- **Stop onmiddellijk de motor wanneer u enige verandering in het gedrag van de kettingzaag opmerkt.**
- **De motor moet gestopt zijn voordat u de kettingspanning controleert, de zaagketting spant, de zaagketting vervangt of problemen verhelpt.**
- Wanneer de zaagketting in aanraking komt met stenen, spijkers of andere harde voorwerpen, stopt u onmiddellijk de motor en controleert u de zaagketting.
- Na afloop van de werkzaamheden of bij het verlaten van het werkgebied, stopt u de motor en zet u de kettingzaag op een plaats neer waar hij voor niemand gevaar oplevert.
- **⚠ LET OP: Plaats de hete kettingzaag niet in droog gras of op brandbare voorwerpen. De uitlaatdemper is zeer heet (gevaar van brand).**
- **LET OP:** Olie die van de zaagketting of het zaagblad afdruppelt nadat de motor is gestopt, verontreinigt de bodem. Werk altijd op een geschikte ondergrond.

Terugslag

- Tijdens het werken met de kettingzaag kan zich een gevaarlijke terugslag voordoen.
 - Terugslag doet zich voor wanneer de het bovenste gedeelte van het uiteinde van het zaagblad per ongeluk hout of een ander hard voorwerp raakt.
 - Hierdoor wordt de kettingzaag met grote kracht en ongecontroleerd in de richting van de gebruiker teruggeworpen. **Gevaar van letsel!**
- Om terugslag te voorkomen, houdt u zich aan deze regels:**
- Alleen speciaal opgeleide personen mogen 'invalzaagsneden' maken, d.w.z. met de punt van het zaagblad in hout zagen!
 - Gebruik nooit het uiteinde van het zaagblad om een zaagsnede te starten.
 - Kijk altijd naar het uiteinde van het zaagblad. Wees voorzichtig wanneer u verder zaagt in een eerder gemaakte zaagsnede.
 - Bij het starten van een zaagsnede moet de zaagketting reeds draaien.
 - Controleer altijd of de zaagketting goed geslepen is. Let met name goed op de hoogte van de dieptebegrenzer.
 - Zaag nooit meerdere takken tegelijkertijd. Let er bij het zagen van een tak op dat geen andere tak wordt aangeraakt.
 - Let bij het afkorten van een boomstam op boomstammen die in de buurt liggen.

Gedrag tijdens het werk/Werkwijze

- Gebruik de kettingzaag alleen wanneer u goed licht en zicht hebt. Wees bedacht op gladde of natte plaatsen en op ijs en sneeuw (kans op uitglijden). De kans op uitglijden is bijzonder hoog tijdens het werken op recent ontbast hout (schors).
- Werk nooit op onstabiele oppervlakken. Zorg ervoor dat zich in het werkgebied geen obstakels bevinden (kans op struikelen). Zorg er altijd voor dat u stevig staat.
- Zaag nooit boven schouderhoogte.
- Zaag nooit terwijl u op een ladder staat.
- Klim nooit in een boom om daar te zagen met de kettingzaag.
- Leun tijdens het werk niet te ver opzij.
- Geleid de kettingzaag zodanig dat geen enkel deel van uw lichaam in de bewegingslijn in de lengterichting van de kettingzaag valt.
- Gebruik de kettingzaag uitsluitend voor het zagen van hout.
- Voorkom dat de zaagketting de grond raakt terwijl hij nog draait.
- Gebruik de kettingzaag nooit voor het optillen of verwijderen van stukken hout of ander voorwerpen.
- Verwijder vreemde voorwerpen, zoals zand, stenen en spijkers, die zich binnen het werkgebied bevinden. Vreemde voorwerpen kunnen de zaagketting beschadigen en gevaarlijke terugslag veroorzaken.
- Gebruik bij het zagen van reeds gezaagd hout een veilige ondersteuning (zaagschraag). Klem het werkstuk niet vast met uw voet en laat het ook niet door iemand anders vasthouden of -klemmen.
- Zet ronde werkstukken vast zodat ze niet kunnen draaien.

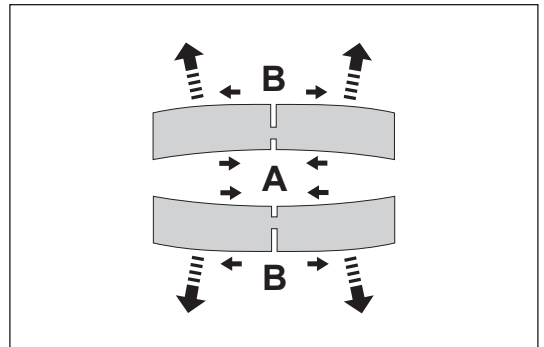
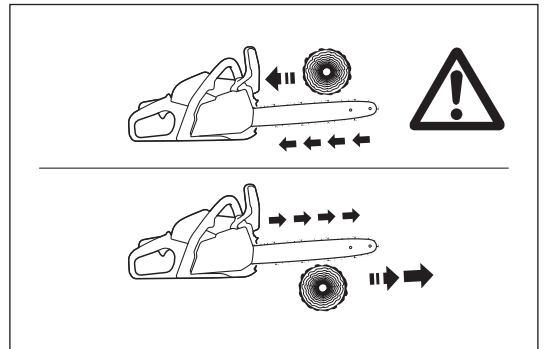
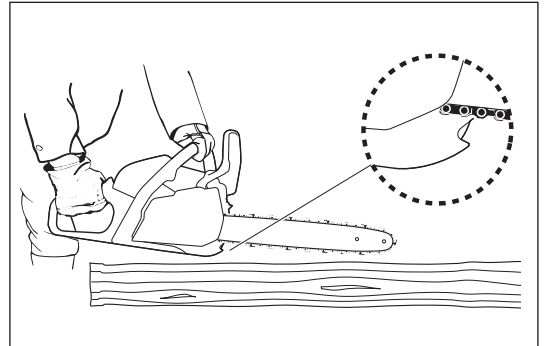
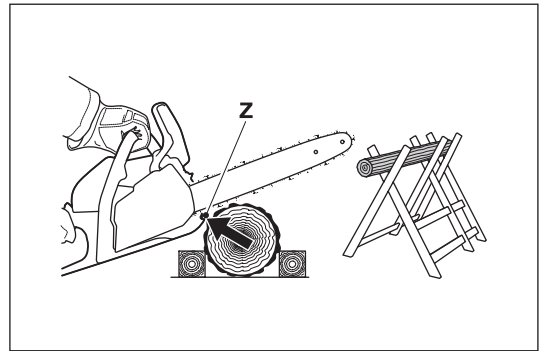


- **Bij het omzagen van bomen en het afkorten moet de getande kam (Z) tegen het hout dat u wilt zagen worden gedrukt.**
- Alvorens hout **af te korten**, moet de getande kam stevig tegen het hout worden gezet. Hierbij wordt de kettingzaag aan de achterhandgreep opgetild en gericht met de voorhandgreep. De getande kam dient als middelpunt van de cirkelbeweging. Ga verder door de voorhandgreep licht omlaag te drukken en tegelijkertijd de kettingzaag naar achteren te trekken. Zet de getande kam iets lager tegen het hout aan en til de achterhandgreep opnieuw op.
- **Als het hout moet worden doorboord voor het zagen, of als een zaagsnede in de lengterichting moet worden gemaakt, adviseren wij u met klem dit te laten uitvoeren door een speciaal opgeleide persoon** (grote kans op terugslag).
- Voer **zaagsneden in de lengterichting** uit onder een zo klein mogelijke hoek. Wees zeer voorzichtig bij het maken van dit type zaagsneden omdat de getande kam geen grip heeft.
- De zaagketting moet draaien op het moment dat u de kettingzaag uit het hout haalt.
- Als u meerdere aparte zaagsneden maakt, moet daar tussenin de gashendel worden losgelaten.
- Wees voorzichtig bij het zagen in splinterend hout. Afgezaagde stukken hout kunnen worden meegetrokken (kans op letsel).
- Bij het zagen met de bovenrand van het zaagblad, kan de kettingzaag in de richting van de gebruiker worden geduwd in het geval de zaagketting vastloopt in het hout. Om deze reden dient u zo veel mogelijk de onderrand van het zaagblad te gebruiken. De kettingzaag zal dan van u af worden geduwd.
- Als het hout onder spanning staat, zaagt u eerst de kant waarop trekkracht staat (A). Daarna kan het hout worden doorgezaagd aan de kant waarop duwkracht staat (B). Op deze manier kan het vastklemmen van het zaagblad worden voorkomen.

⚠ LET OP:

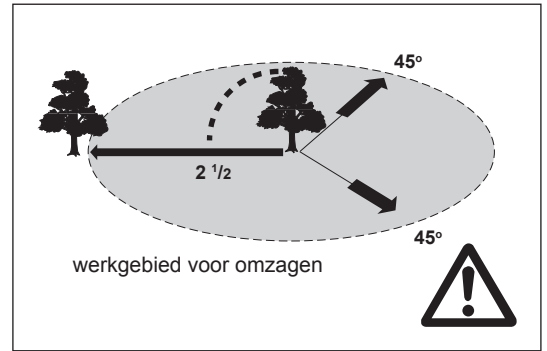
Mensen die bomen omzagen of takken afzagen dienen hiervoor speciaal opgeleid te zijn. Grote kans op letsel!

- Bij het afzagen van takken moet de kettingzaag afgesteund worden op de boomstam. Gebruik niet het uiteinde van het zaagblad om te zagen (kans op terugslag).
- Let op wanneer takken onder spanning staan. Zaag geen vrijhangende takken vanaf de onderkant.
- Voer nooit zaagsneden uit om de spanning eruit te halen terwijl u op de boomstam staat.

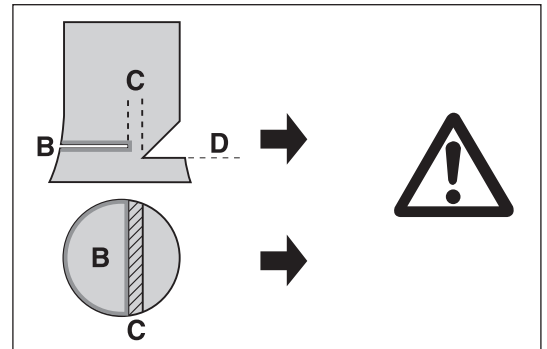
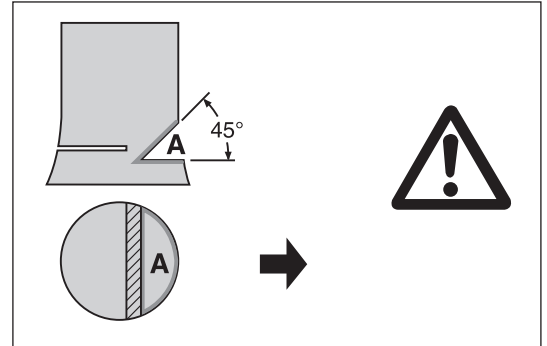


- **Alvorens een boom om te zagen zorgt u ervoor dat:**

- a) zich alleen personen binnen het werkgebied bevinden die daadwerkelijk betrokken zijn bij het omzagen van de boom.
- b) iedere werker die erbij betrokken is zich kan terugtrekken zonder te struikelen (de mensen moeten zich achterwaarts terugtrekken in diagonale richting, d.w.z. onder een hoek van 45°).
- c) aan de onderkant van de boom geen vreemde voorwerpen, ondergroei en takken zitten. Zorg ervoor dat u stevig staat (kans op struikelen).
- d) de volgende werkklocatie minstens 2 1/2 boomlengte verwijderd is. Alvorens de boom om te zagen, controleert u de valrichting en verzekert u uzelf ervan dat zich geen mensen of voorwerpen bevinden binnen een afstand van 2 1/2 boomlengte.

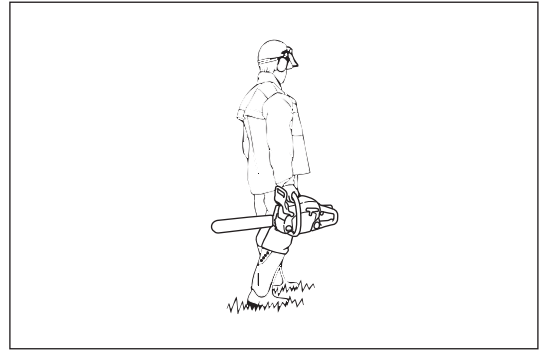


- **Beoordelen van de boom:** Richting van hangen - losse of dorre takken - hoogte van de boom - natuurlijke overhang - is de boom rot?
- Houd rekening met de windrichting en -snelheid. Als sterke windstoten zich voordoen, mag u geen bomen omzagen.
- **De wortels doorzagen:** Begin met de sterkste wortels. Maak eerst de verticale en daarna de horizontale zaagsnede.
- **Een inkeping in de boomstam maken:** De inkeping (A) bepaalt de valrichting en geleidt de boom. De inkeping moet haaks op de valrichting met een diepte van 1/3 tot 1/5 van de diameter in de boomstam worden aangebracht. Breng de inkeping vlak boven de grond aan.
- Als u de zaagsnede wilt bijstellen, moet u dat doen over de volledige breedte van de inkeping.
- **Zaag de boom om** boven de onderrand van de inkeping (D). De zaagsnede moet precies horizontaal (B) zijn. De afstand tussen de beide zaagsnedes (C) moet ongeveer 1/10 van de diameter van de boomstam zijn.
- De **breuklijst tussen de beide zaagsnedes** werkt als een scharnier. Zaag deze nooit door omdat anders de boom ongecontroleerd valt. Plaats op tijd valwippen in de zaagsnede.
- Gebruik uitsluitend wiggen van kunststof of aluminium. Gebruik geen ijzeren wiggen. Als de zaagketting een ijzeren wig raakt, kan de zaagketting ernstig worden beschadigd of breken.
- Sta bij het omzagen van een boom altijd zijwaarts van de vallende boom.
- Let bij het achteruit lopen na het omzagen van de boom op vallende takken.
- Bij het werken op hellende ondergrond, moet de gebruiker van de kettingzaag boven of zijwaarts staan van de boom die wordt omgezaagd of de boom die reeds is omgezaagd.
- Let op boomstammen die naar u toe kunnen rollen.



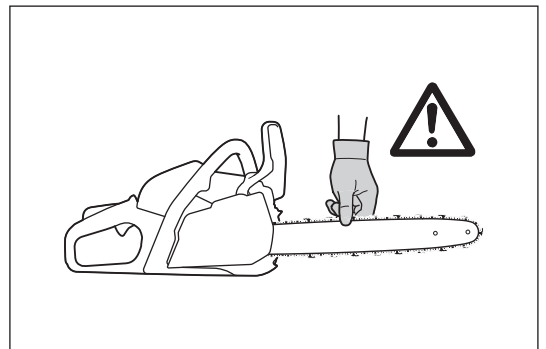
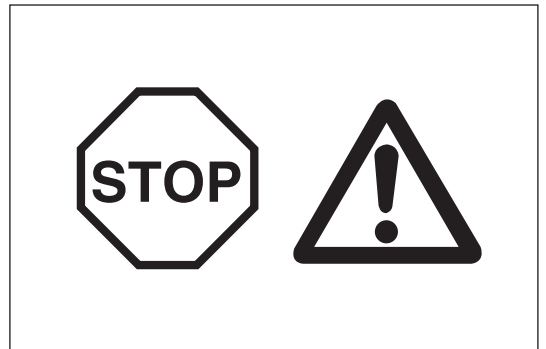
Vervoer en opslag

- Als u tijdens het zagen van locatie verandert, stopt u de motor en stelt u de kettingrem in werking om te voorkomen dat de kettingzaag per ongeluk start.
- Draag of verplaats de kettingzaag nooit met draaiende zaagketting. Als de kettingzaag heet is, mag u deze niet afdekken (met een dekzeil, deken, krant of iets dergelijks). Laat de kettingzaag afkoelen voordat u hem in een transportkoffer of voertuig plaatst. Een kettingzaag met een katalysator heeft langer nodig om af te koelen!
- Plaats het kettingdeksel om het zaagblad tijdens vervoer en opslag.
- Draag de kettingzaag aan de voorhandgreep. Het zaagblad is naar achteren gericht. Voorkom aanraking van de uitlaatdemper (gevaar van brandwonden).
- Zorg voor een veilige positionering van de kettingzaag tijdens vervoer in een auto om brandstoflekage, beschadiging en letsel te voorkomen.
- Bewaar de kettingzaag op een droge plaats. Hij mag niet buiten worden bewaard. Houd de kettingzaag uit de buurt van kinderen.
- Alvorens de kettingzaag gedurende een lange tijd te bewaren of te vervoeren, moeten de brandstoftank en olietank geheel leeg worden gemaakt.
- Voer schoonmaak- en onderhoudswerkzaamheden uit alvorens op te slaan.



Onderhoud

- Alvorens onderhoudswerkzaamheden uit te voeren, schakelt u de kettingzaag uit en trekt u de bougiekap eraf.
- Alvorens de werkzaamheden te starten, moet u de bedrijfsveiligheid van de kettingzaag controleren, met name de werking van de kettingrem. Zorg ervoor dat de zaagketting altijd geslepen en letsel te voorkomen is.
- Bedien de kettingzaag alleen bij lage geluids- en emissieniveaus. Hiertoe moet de carburator goed zijn afgesteld.
- Maak de kettingzaag regelmatig schoon.
- Controleer regelmatig of de tankdop stevig vast zit.
- Volg de instructies voor het voorkomen van ongevallen die door de relevante beroepsverenigingen en verzekeringsmaatschappijen zijn uitgegeven.
- Breng geen wijzigingen aan in de kettingzaag. U zet uw veiligheid op het spel.
- Voer uitsluitend de onderhouds- en reparatiewerkzaamheden uit die worden beschreven in de gebruiksaanwijzing. Alle andere werkzaamheden moeten worden uitgevoerd door Dolmar Service.
- Gebruik uitsluitend originele vervangingsonderdelen en accessoires van Dolmar.
- Het gebruik van andere vervangingsonderdelen en accessoires dan originele Dolmar-onderdelen en -accessoires, en het gebruik van combinaties of lengten van zaagblad en ketting die niet zijn goedgekeurd, leiden tot een grote kans op ongevallen. Wij kunnen geen aansprakelijkheid aanvaarden voor ongevallen en schade die voortvloeien uit het gebruik van een zaagketting, zaagblad of accessoires die niet zijn goedgekeurd.



Trillingen

Personen met een slechte bloedsomloop die worden blootgesteld aan sterke trillingen, kunnen verwondingen aan bloedvaten of het zenuwstelsel oplopen. Trillingen kunnen de volgende symptomen veroorzaken in de vingers, handen of polsen: "slapen" (ongevoeligheid), tintelingen, pijn, stekend gevoel, veranderen van huidskleur of van de huid.

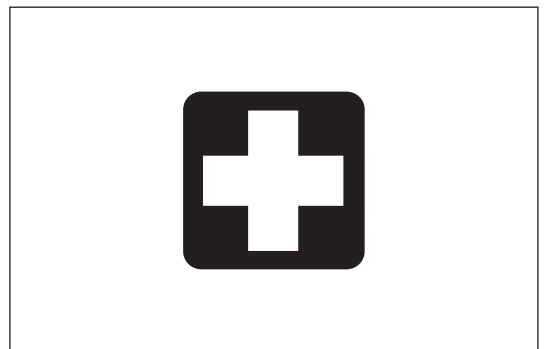
Als een van deze symptomen zich voordoet, raadpleegt u uw huisarts! Om de kans op witte vingers als gevolg van trillingen te verkleinen, houdt u uw handen warm, draagt u handschoenen, en zorgt u ervoor dat de zaagketting scherp is.

EHBO

Zorg dat er altijd een EHBO-does beschikbaar is in de buurt waar gezaagd wordt om eerste hulp te kunnen bieden bij eventuele ongevallen. Vervang onmiddellijk elk item dat uit de EHBO-does is genomen.

Geef de volgende informatie wanneer u hulp inroept:

- Plaats van het ongeval
- Beschrijving van het ongeval
- Aantal gewonden
- Soort letsels
- Uw naam



Alleen voor Europese landen

EU-verklaring van conformiteit

De EU-verklaring van conformiteit is opgenomen als Bijlage A in deze instructiehandleiding.

TECHNISCHE GEGEVENS

Model		PS-352	PS-352 TLC
Totale lengte (zonder zaagblad)	mm	388	
Nettogewicht	kg	4,2	
Slagvolume	cm ³	35,2	
Boring	mm	38	
Slag	mm	31	
Max. vermogen bij toerental	kW/min ⁻¹	1,7/10.000	
Max. koppel bij toerental	Nm/min ⁻¹	2,0/7.000	
Stationair toerental per max. motortoerental met zaagblad en zaagketting	min ⁻¹	2.900/13.500	
Toerental op aangrijppunt van koppeling	min ⁻¹	4.100	
Carburateur	Type	Membraan	
Bougie	Type	NGK BPMR 8Y	
Elektrodenafstand	mm	0,7	
Inhoud brandstoftank	cm ³	310	
Inhoud kettingolietank	cm ³	260	
Mengverhouding (benzine : tweetaktmotorolie) Originele olie van Dolmar of kwaliteitsklasse JASO FC (ISO EGC) of hoger		50:1	
Kettingrem		Handmatig in werking stellen of automatisch bij terugslag.	
Kettingsnelheid	m/s	25,3	
Steek van kettingwiel	mm (inch)	0,95 (3/8)	
Aantal tanden	Z	6	
Geluidsdrukniveau op de werkplek L _{PA, eq} volgens ISO 22868 ¹⁾	dB (A)	99	
	K _{PA}	2,5	
Geluidsvermogeniveau L _{WA, FI + Ra} volgens ISO 22868 ²⁾	dB (A)	111	
	K _{WA}	2,5	
Trillingsversnelling a _{hv, eq} volgens ISO 22867 ¹⁾	voorhandgreep	m/s ²	3,3
		K	2,0
	achterhandgreep	m/s ²	3,4
		K	2,0

1) De waarden zijn in gelijke mate afgeleid van het stationair toerental, vollastoerental en maximaal toerental bij volledig geopende gasklep.

2) De waarden zijn in gelijke mate afgeleid van het vollastoerental en maximaal toerental bij volledig geopende gasklep.

• Als gevolg van ons doorlopende onderzoeks- en ontwikkelingsprogramma, zijn de technische gegevens van dit gereedschap onderhevig aan veranderingen zonder voorafgaande kennisgeving.

• De technische gegevens kunnen van land tot land verschillen.

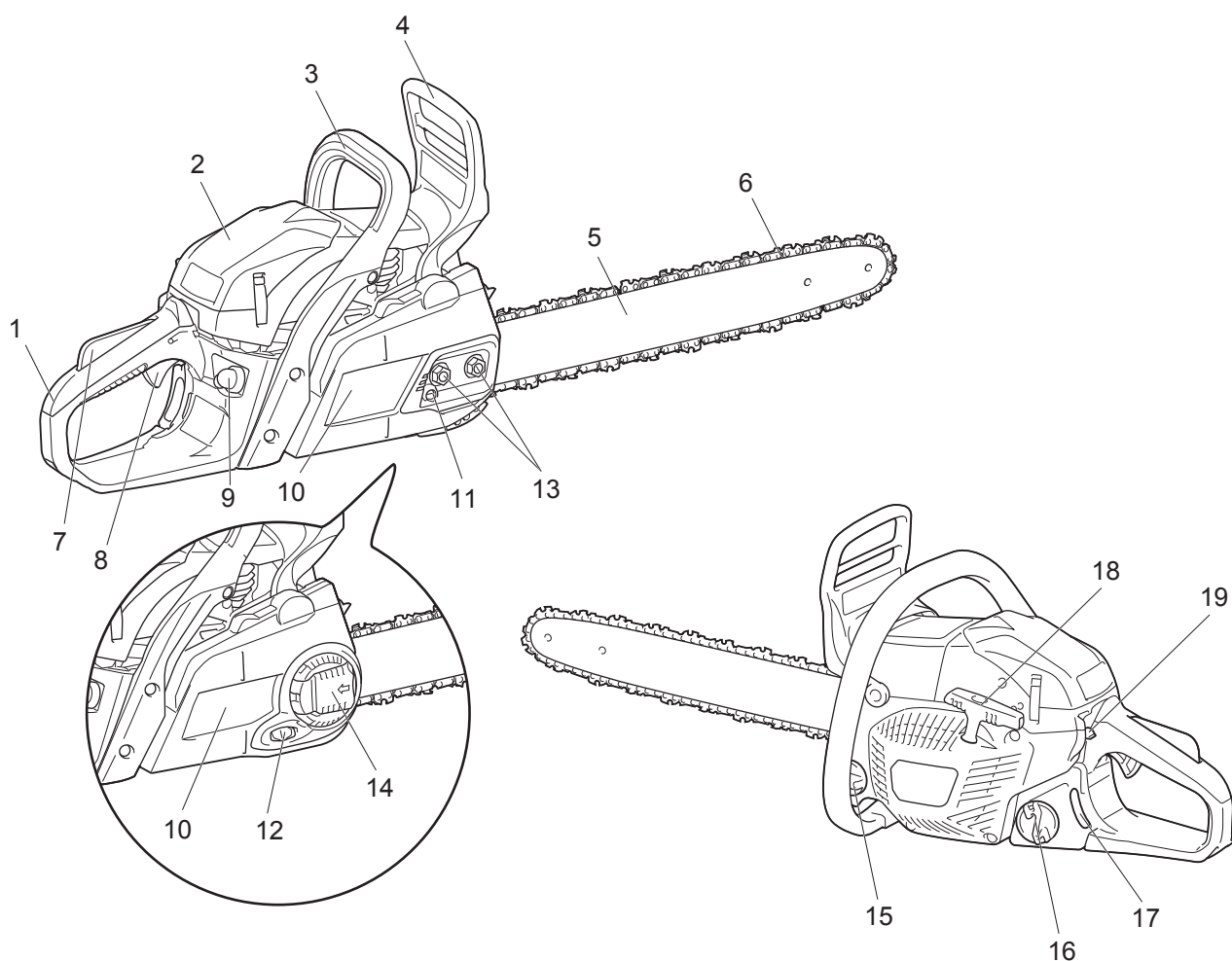
Zaagblad en kettingzaag

Type zaagblad	Kettingwielzaagblad	
Lengte	350 mm	400 mm
Zaaglengte	325 mm	360 mm
Zaagketting	Type	492 (91PX)
Steek	3/8"	
Maat	1,3 mm (0,05")	
Aantal schakels	52	56

⚠ WAARSCHUWING:

Gebruik een geschikte combinatie van zaagblad en zaagketting. Als u dat niet doet, kan ernstig letsel ontstaan.

NAMEN VAN ONDERDELEN



Namen van onderdelen	
1	Achterhandgreep
2	Luchtfilterkap
3	Voorhandgreep
4	Beschermkap van voorhandgreep
5	Zaagblad
6	Zaagketting
7	Gashendelvergrendeling
8	Gashendel
9	Brandstofhandpomp
10	Kettingdeksel
11	Stelschroef voor zaagketting
12	Stelknop voor zaagketting
13	Bevestigingsmoeren
14	Hendel
15	Olietankdop
16	Brandstoftankdop
17	Brandstofniveaumeter
18	Trekstarthandgreep
19	Combinatieschakelaar

VEILIGHEIDSFUNCTIE VAN KETTINGZAAG

⚠ WAARSCHUWING:

- Het gebruik van de veiligheidsfuncties garandeert NIET altijd bescherming tegen letsel. **Alleen een juist gebruik en de juiste technieken kunnen de kans op terugslag en andere gevaarlijke ongelukken verkleinen.**
- Controleer altijd de veiligheidsfuncties vóór gebruik.
- Als de kettingzaag een controle niet doorstaat, zet u onmiddellijk de motor uit en gebruikt u de kettingzaag NIET. Neem contact op met een erkend Dolmar-servicecentrum.

Kettingrem

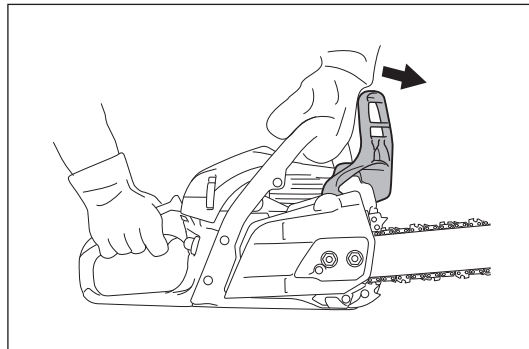
De kettingrem is ontworpen om de zaagketting binnen een fractie van een seconde tot stilstand te brengen. Hij wordt geactiveerd wanneer de terugslag voldoende sterk is.

Om de kettingrem handmatig te bedienen, duwt u met uw linkerhand de beschermkap van de voorhandgreep naar voren (in de richting van de punt van het zaagblad).

Om de kettingrem los te zetten, trekt u de beschermkap van de voorhandgreep naar achteren (naar u toe).

KENNISGEVING:

- Verhoog het motortoerental niet terwijl de kettingrem in werking is gesteld (behalve om te testen).
- Zet de kettingrem altijd los alvorens met de werkzaamheden te beginnen.



De kettingrem controleren

1. Laat de motor met stationair toerental draaien.
2. Houd de kettingzaag met beide handen vast. Houd de achterhandgreep met uw rechterhand vast en de voorhandgreep met uw linkerhand. Zorg ervoor dat het zaagblad en de zaagketting geen enkel voorwerp raken.
3. Duw met de rug van uw hand tegen de beschermkap van de voorhandgreep totdat de kettingrem in werking treedt.
4. Verhoog het toerental van de motor totdat de gashendel helemaal ingeknepen is en houd dit gedurende 3 seconden aan. Controleer dat de zaagketting in het geheel niet draait.
5. Laat de motor weer stationair draaien en zet daarna de kettingrem los.

De remband controleren

De remband bevindt zich aan de achterkant van de afdekking van het kettingwiel. De kettingrem verslijt na verloop van tijd. Laat hem iedere 3 maanden controleren en onderhouden door een erkend Dolmar-servicecentrum.

Gashendelvergrendeling

De remband bevindt zich aan de achterkant van het kettingdeksel. U kunt de gashendel alleen inknippen nadat de gashendelvergrendeling is ingedrukt (d.w.z. wanneer u de achterhandgreep hebt vastgepakt).

De gashendelvergrendeling controleren

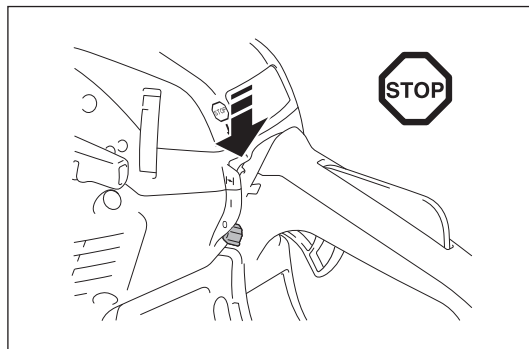
Controleer of de gashendelvergrendeling terugkeert naar zijn oorspronkelijke stand nadat u de achterhandgreep hebt losgelaten.

Motorstop

Controleer of de motor stopt wanneer u dat wilt.

De motorstop controleren

Start de motor. Laat daarna de gashendel los en duw de combinatieschakelaar naar de onderste stand (O).

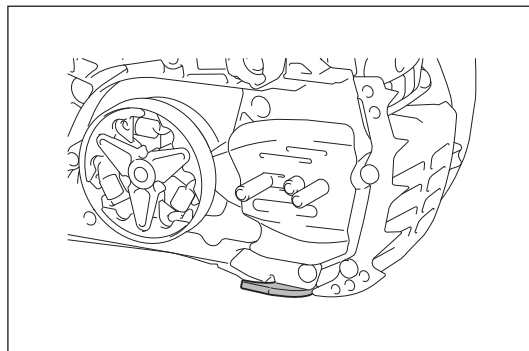


Kettingvanger

De kettingvanger is bedoeld om de zaagketting op te vangen in het geval de zaagketting van het zaagblad af springt. De zaagketting zou niet moeten springen als deze goed gespannen is. Controleer altijd de spanning van de zaagketting en stel deze zo nodig af volgens de instructies in deze gebruiksaanwijzing.

De kettingvanger controleren

Controleer of de kettingvanger niet beschadigd is en stevig in het huis zit.



DE ONDERDELEN MONTEREN

⚠ WAARSCHUWING:

- Alvorens enige werkzaamheden aan het zaagblad of de zaagketting uit te voeren, schakelt u altijd de motor uit en controleert u of het snijgarnituur stil staat.
- Draag altijd veiligheidshandschoenen.

⚠ LET OP:

- Start de kettingzaag alleen nadat deze volledig is gemonteerd en is geïnspecteerd.

Zaagblad en zaagketting aanbrengen

KENNISGEVING:

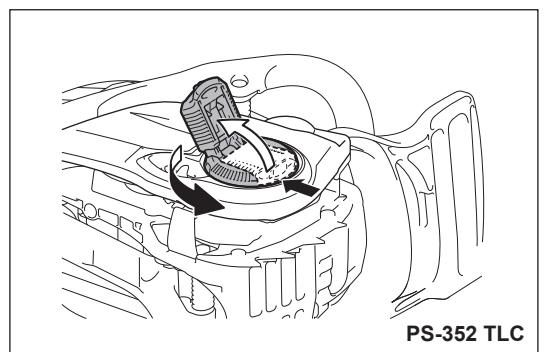
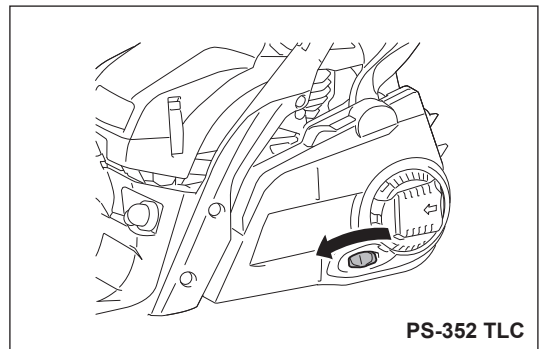
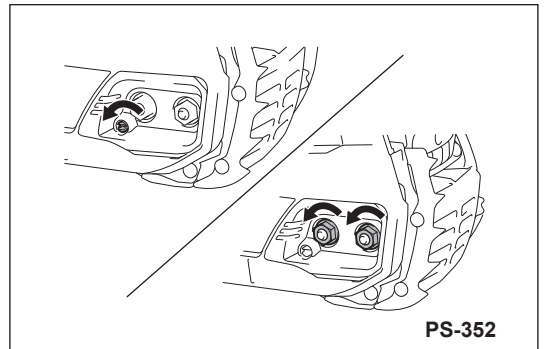
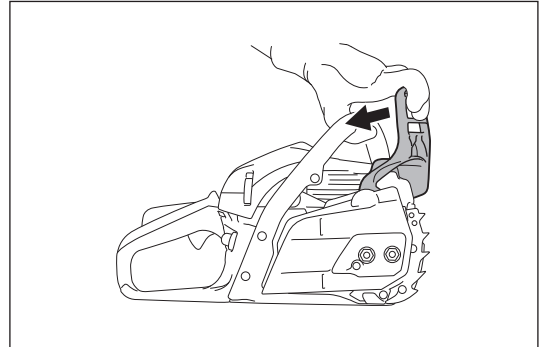
- Het aanbrengen en verwijderen van de zaagketting dient te gebeuren op een schone plaats zonder zaagsel en andere vreemde stoffen.

Plaats de kettingzaag op een stabiele ondergrond en voer de volgende stappen uit:

1. Zet de kettingrem los door aan de beschermkap van de voorhandgreep te trekken.
2. Hef de kettingspanning volledig op.
3. (Voor model PS-352) Draai de bevestigingsmoeren los.
(Voor model PS-352 TLC) Duw de hendel omhoog tot hij volledig is geopend en stopt. Draai de hendel linksom.
4. Verwijder het kettingdeksel.

KENNISGEVING:

- U kunt het kettingdeksel niet verwijderen zonder de kettingrem vrij te zetten.



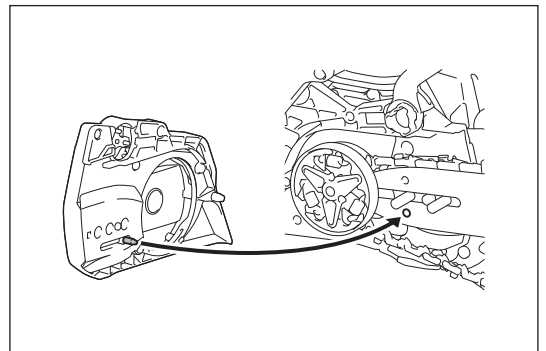
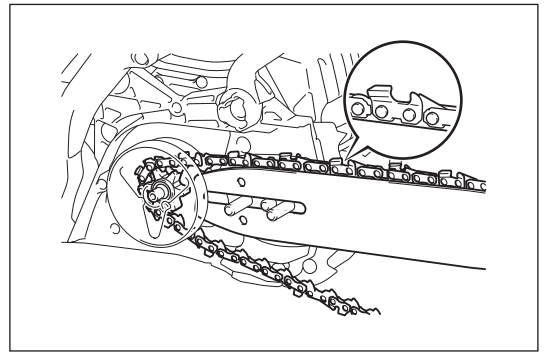
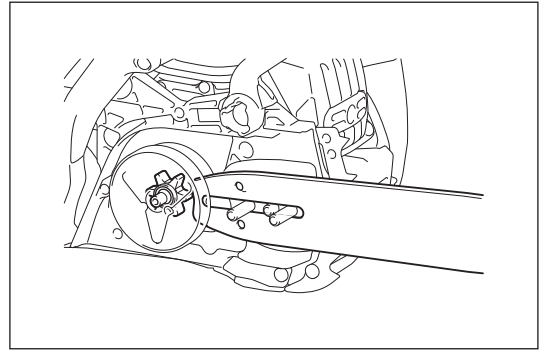
5. Leg het zaagblad over de zaagbladbouten.
6. Controleer de richting van de zaagketting. De pijlen op de zaagketting moeten in dezelfde richting wijzen als de pijl op de behuizing.
7. Leg de zaagketting eerst rond het kettingwiel, en leg hem daarna om de punt van het zaagblad.
8. Plaats het kettingdeksel zodanig dat de paspen in het gat in het zaagblad valt.

KENNISGEVING:

- Til de zaagketting op over de kettingvanger.
9. (Voor model PS-352) Draai de bevestigingsmoeren vast om het kettingdeksel vast te zetten, en draai ze daarna iets los om de spanning te kunnen afstellen.
(Voor model PS-352 TLC) Draai de hendel rechtsom om het kettingdeksel vast te zetten, en draai hem daarna iets los om de spanning te kunnen afstellen.
 10. Stel de zaagkettingspanning af. (Zie het tekstdeel getiteld "De zaagkettingspanning afstellen" bij stap 3 en verder.)

OPMERKING:

- Om een uniforme slijtage van het zaagblad te verkrijgen, draait u hem om wanneer u de zaagketting vervangt.



De zaagkettingspanning afstellen

⚠ LET OP:

- Een zeer losse zaagketting kan van het zaagblad afspringen en vergroot daarom de kans op een ongeluk. Als de zaagketting te los zit, stelt u de zaagkettingspanning af.
- Door een buitensporig hoge kettingspanning kan de zaagketting breken, het zaagblad slijten en de stelschroef/-knop afbreken.

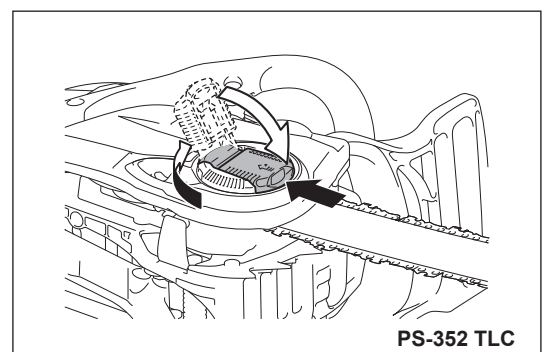
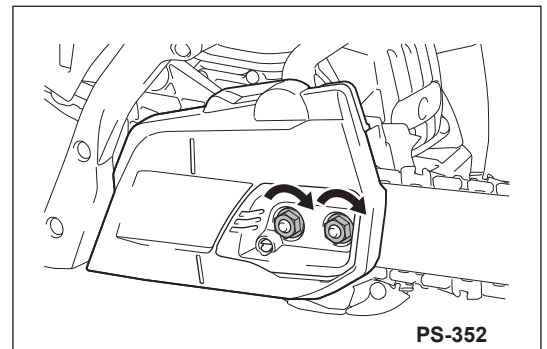
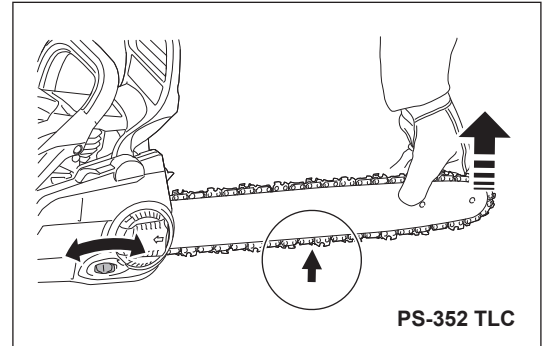
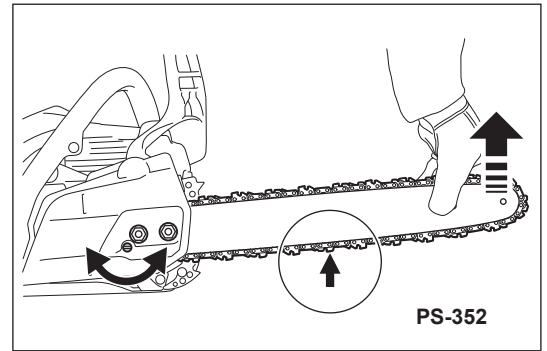
De zaagketting kan na vele gebruiksuren los gaan zitten. Wanneer u de zaagketting vervangt of na hem enkele uren te hebben gebruikt, controleert u de zaagkettingspanning alvorens de kettingzaag te gebruiken. Een goed afgestelde zaagketting draagt bij aan de goede prestaties en een lange levensduur van het gereedschap.

De spanning van de zaagketting is goed wanneer de zaagketting strak langs de onderrand van het zaagblad loopt, maar nog wel gemakkelijk met de hand gedraaid kan worden.

Controleer de zaagkettingspanning regelmatig: nieuwe zaagkettingen rekken op door gebruik.

Om de spanning van de zaagketting af te stellen, voert u de volgende procedure uit:

1. Zet de kettingrem los door aan de beschermkap van de voorhandgreep te trekken.
2. (Voor model PS-352) Draai de bevestigingsmoeren iets los om het kettingdeksel los te zetten.
(Voor model PS-352 TLC) Duw de hendel omhoog tot hij volledig is geopend en stopt. Draai de hendel iets linksom om het kettingdeksel los te zetten.
3. Til de punt van het zaagblad iets op en houd hem zo vast.
4. (Voor model PS-352) Draai de stelschroef voor de zaagketting om de spanning van de zaagketting af te stellen.
(Voor model PS-352 TLC) Draai de stelknop voor de zaagketting om de spanning van de zaagketting af te stellen.
5. Stel de spanning van de zaagketting af totdat de onderrand van de zaagketting in de groef in het zaagblad valt (zie cirkel in de afbeelding).
Tijdens het afstellen van de zaagkettingspanning, houdt u de punt van het zaagblad iets opgetild.
6. Blijf het zaagblad licht vasthouden, stel de kettingspanning in en zet het kettingdeksel vast.
(Voor model PS-352) Draai de bevestigingsmoeren vast om het kettingdeksel vast te zetten.
(Voor model PS-352 TLC) Draai de hendel helemaal rechtsom om het kettingdeksel vast te zetten. Duw daarna de hendel omlaag om hem te sluiten.
7. Controleer of de zaagketting niet los hangt, maar strak langs de onderrand van het zaagblad loopt.



⚠ WAARSCHUWING:

- VERMIJD DAT BRANDSTOF OP UW HUD OF IN UW OGEN KOMT.
Aardolieproducten ontvetten uw huid. Als uw huid bij herhaling en gedurende een langere tijdsduur in aanraking komt met deze stoffen, kan uw huid uitdrogen. Dit kan leiden tot diverse huidaanandoeningen. Daarnaast zijn ook allergische reacties bekend. Uw ogen kunnen geïrriteerd raken door contact met olie. Als er olie in uw ogen terecht komt, moet u ze onmiddellijk spoelen met helder water. Als uw ogen dan nog steeds geïrriteerd zijn, moet u onmiddellijk een dokter raadplegen.

Brandstof

⚠ LET OP:

- Wees met name voorzichtig tijdens het omgaan met benzine.
- Niet roken! Houd het gereedschap goed uit de buurt van vlammen, vonken en open vuur (explosiegevaar).

Brandstofmengsel

Dit gereedschap wordt aangedreven door een luchtgekoelde tweetaktmotor met hoge prestaties. Deze werkt op een mengsel van benzine en tweetaktmotorolie. De motor is ontwikkeld voor gebruik met loodvrije benzine met een minimaal octaangehalte van 91 ROZ (89 AKI), en een ethanolgehalte van niet meer dan 10%. In het geval dergelijke benzine niet beschikbaar is, mag u benzine met een hoger octaangehalte gebruiken. Dit heeft geen invloed op de motor.

Om een optimaal uitgangsvermogen van de motor te verkrijgen en om uw gezondheid en het milieu te beschermen, mag u alleen loodvrije benzine gebruiken.

Om de motor te smeren, gebruikt u een synthetische olie voor luchtgekoelde tweetaktmotoren (originele olie van Dolmar of kwaliteitsklasse JASO FC (ISO EGC) of hoger). Meng de motorolie met de brandstof.

⚠ LET OP:

- Gebruik niet de voorgemengde brandstoffen van benzinestations.
- De juiste mengverhouding is 50 op 1, d.w.z. 50 delen benzine met 1 deel olie.

OPMERKING:

- Om het benzine-oliemengsel te maken, mengt u eerst de volledige hoeveelheid olie met de helft van de vereiste benzine en voegt u daarna de resterende benzine toe. Schud het mengsel stevig voordat u het bijvult in de brandstoftank van de kettingzaag.

U mag niet meer motorolie toevoegen dan is gespecificeerd. Een onjuiste mengverhouding met olie leidt tot de vorming van meer verontreinigende verbrandingsresten. Het veroorzaakt tevens een verstopt uitlaatgaskanaal in de cilinder en geluidsdemper, en leidt tot slechte prestaties en een buitensporig brandstofverbruik.

Opslag van brandstof

Brandstoffen hebben een beperkte bewaartermijn. Brandstofmengsels verouderen door verdamping, met name bij hoge temperaturen. Verouderde brandstof en brandstofmengsels kunnen startproblemen en motorschade veroorzaken. Koop alleen de hoeveelheid brandstof die gedurende de eerstvolgende paar maanden gebruikt gaat worden. Bij hoge temperaturen moet de brandstof die al gemengd is, binnen 6 tot 8 weken worden verbruikt.

Bewaar brandstof uitsluitend in jerrycans op een droge, koele en veilige plaats!

Kettingolie

Gebruik olie met een hechttoevoeging voor het smeren van de zaagketting en het zaagblad. De hechttoevoeging voorkomt dat de olie te snel van de ketting wordt afgeworpen.

Wij adviseren originele Dolmar-kettingolie of biologisch afbreekbare kettingolie te gebruiken om het milieu te beschermen. Het gebruik van biologisch afbreekbare kettingolie kan zelfs verplicht zijn gesteld in plaatselijke regelgeving.

Biologisch afbreekbare olie is slechts gedurende een beperkte tijdsduur stabiel. Gebruik de olie binnen 2 jaar na de productiedatum (afgedrukt op de fles of jerrycan).

Belangrijke opmerking over biologisch afbreekbare kettingolie

Als u van plan bent de kettingzaag gedurende een lange tijd niet te gebruiken, maakt u de olietank leeg en doet u er een kleine hoeveelheid normale motorolie (SAE 30) in, en laat u vervolgens de kettingzaag gedurende enige tijd lopen. Dit is noodzakelijk om alle resterende biologisch afbreekbare olie uit de olietank, het olietoevoersysteem, de zaagketting en het zaagblad te spoelen, aangezien veel van dergelijke oliën na verloop van tijd een kleverig residu achterlaten, waardoor schade kan ontstaan aan de oliepomp en andere onderdelen.

GEBRUIK NOOIT AFGEWERKTE OLIE

Afgewerkte olie is zeer schadelijk voor het milieu.

Afgewerkte olie bevat grote hoeveelheden kankerverwekkende stoffen.

Residuen in de afgewerkte olie leiden tot extreme slijtage en invreten van de oliepomp, de zaagketting en het zaagblad.

In het geval van schade veroorzaakt door afgewerkte olie of ongeschikte kettingolie, vervalt de productgarantie.

Brandstof en kettingolie bijvullen

⚠ WAARSCHUWING:

- VOLG DE VOORZORGSMAATREGELEN OP. Wees voorzichtig tijdens het omgaan met brandstoffen.
- Zet de motor uit.

⚠ LET OP:

- Maak de tankdop en het gebied rondom de tank schoon na het bijvullen.
- Vul brandstof en kettingolie als volgt bij:
1. Maak het gebied rondom de vuldoppen grondig schoon om te voorkomen dat vuil in de brandstoftank of olietank komt.
 2. Draai de dop los en vul brandstof (benzine-oliemengsel) en kettingolie in de betreffende tanks.
 3. Vul tot aan de onderrand van de vulnek. Wees voorzichtig geen brandstof of kettingolie te morsen!
 4. Draai de doppen met de hand weer zo ver mogelijk vast op de tanks.

De ketting smeren

⚠ WAARSCHUWING:

- Controleer de kettingolietank alleen wanneer de motor uit staat.
- Controleer dat er voldoende kettingolie in de kettingolietank zit voor een goede smering van de zaagketting tijdens gebruik. Bij een gemiddelde olietoevoersnelheid is de inhoud van de olietank ongeveer gelijk aan de gebruikstijd van één volle brandstoftank. Controleer vóór gebruik of brandstof bij te vullen, het kettingoliepeil en vul zo nodig bij.

De kettingsmering instellen

⚠ WAARSCHUWING:

- Zet de motor uit.
- U kunt de olietoevoersnelheid van de oliepomp instellen met behulp van de stelschroef. De olietoevoersnelheid van de oliepomp kan worden ingesteld in drie standen: hoog, gemiddeld en laag. De stelschroef bevindt zich op de onderkant van de kettingzaag. Gebruik een schroevendraaier en stel de juiste hoeveelheid toegevoerde olie in.

De olietoevoergroef schoonmaken

Om een correcte werking van de oliepomp te garanderen, maakt u regelmatig de olietoevoergroef in de behuizing en het olietoevoergat in het zaagblad schoon.

De kettingsmeering controleren

⚠ LET OP:

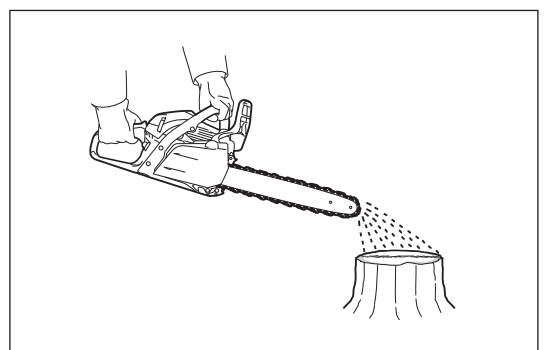
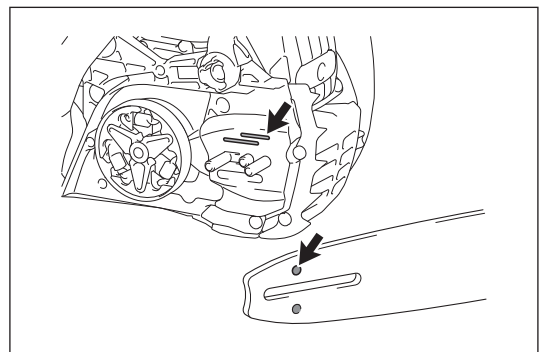
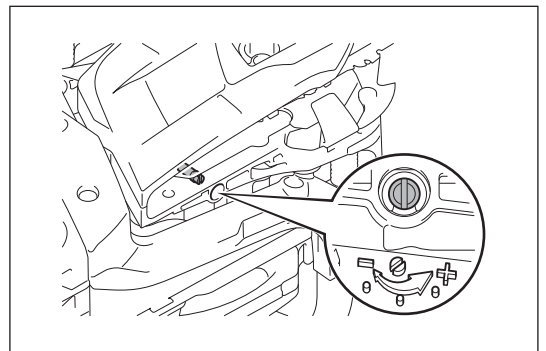
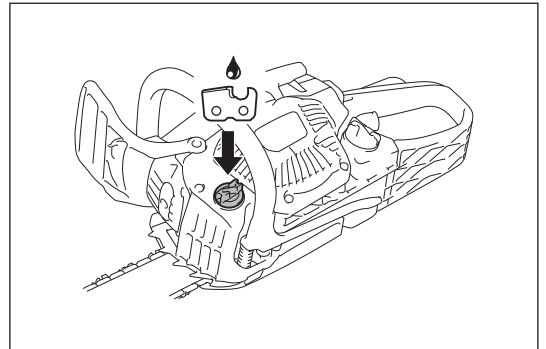
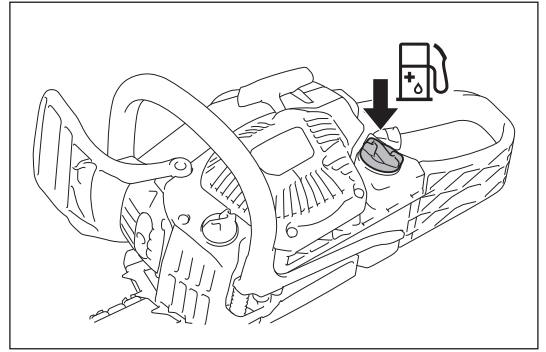
- Gebruik de kettingzaag nooit zonder voldoende kettingsmering. Als u dat toch doet, wordt de levensduur van de zaagketting en het zaagblad verkort.
- Alvorens met het werk te beginnen, controleert u het oliepeil in de olietank en de olietoevoer.
- Let op de windrichting en voorkom onnodige blootstelling aan oliespetters.

Controleer de olietoevoersnelheid als volgt:

1. Start de kettingzaag.
2. Houd de draaiende zaagketting ongeveer 15 cm boven een boomstronk of de grond (gebruik een geschikte ondergrond).
3. Als de smering voldoende is, is een licht oliespoor waarneembaar omdat de olie van de zaagketting wordt afgeworpen.

OPMERKING:

- Nadat de kettingzaag is uitgezet, is het normaal dat resterende kettingolie gedurende enige tijd uit het olietoevoersysteem, uit het zaagblad en vanaf de zaagketting druppelt. Dit duidt niet op een defect. Leg het gereedschap op een geschikte ondergrond.



DE MOTOR STARTEN EN STOPPEN

⚠ WAARSCHUWING:

- Start de motor niet voordat de kettingzaag volledig in elkaar gezet en gecontroleerd is.

⚠ LET OP:

- Start de motor van het kettingzaag minimaal 3 meter verwijderd van de plaats waar brandstof is bijgevuld.
- Zorg ervoor dat u stevig staat en zet de kettingzaag op de grond.
- Zorg ervoor dat het zaagblad en de zaagketting niets aanraken.
- Vergeet niet de kettingrem in werking te stellen voordat u de motor start.

KENNISGEVING:

- Trek nooit door tot aan het einde van het trekstartkoord.
- Laat de trekstarthandgreep gecontroleerd teruglopen in de behuizing. Als u de trekstarthandgreep loslaat kan deze uw lichaam raken of kan het trekstartkoord verkeerd worden opgerold.
- Onmiddellijk na het starten moet de motor op stationair worden gezet. Als dat niet gebeurt, kan de koppeling worden beschadigd. Raadpleeg een erkend servicecentrum.

De motor starten

1. Stel de kettingrem in werking (vergrendelen).
2. Houd de voorhandgreep stevig met uw linkerhand vast en druk de kettingzaag tegen de grond.
3. Houd de beschermkap van de achterhandgreep omlaag gedrukt met uw rechtervoet.
4. Start de motor overeenkomstig de toestand van de motor als volgt.

Koude start

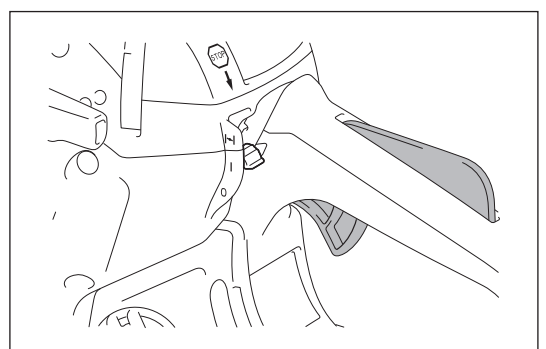
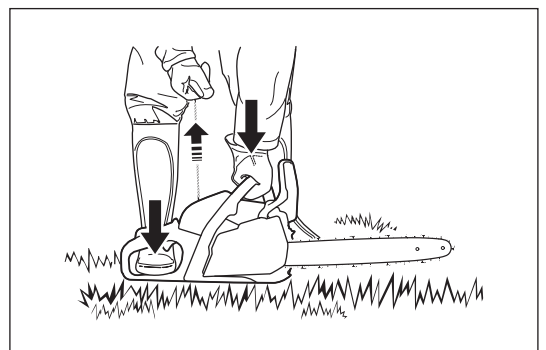
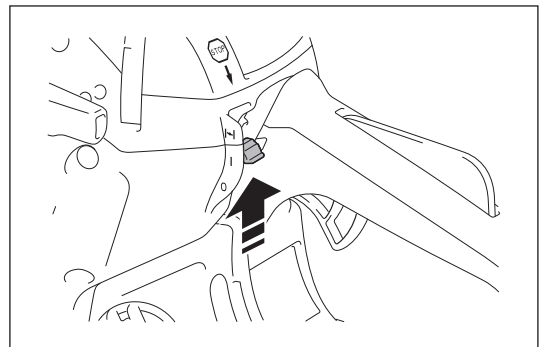
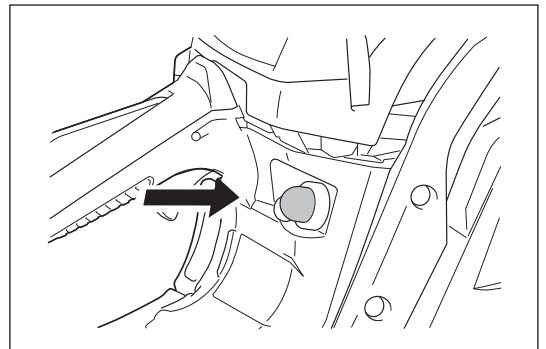
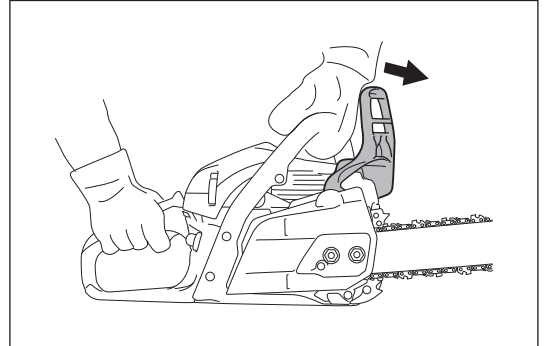
Als de motor niet werd gebruikt vlak voordat u hem wilt starten, voert u de volgende stappen uit:

1. Druk meerdere keren op de brandstofhandpomp tot de brandstof in de brandstofhandpomp stroomt. (Over het algemeen, 7 tot 10 keer drukken.)
2. Duw de combinatieschakelaar omhoog (choke-stand). Dit stelt tevens de halfgasvergrendeling in werking.
3. Trek langzaam aan de trekstarthandgreep tot u de compressieweerstand voelt. Trek er daarna hard aan. Het kan twee tot vier pogingen vergen tot de motor vonkt.
4. Zodra de motor vonkt, zet u de combinatieschakelaar in de middelste stand (I).
5. Pak de achterhandgreep vast (de gashendelvergrendeling wordt opgeheven door het vastpakken) en knijp de gashendel een stukje in en laat hem weer los.
6. Zet de kettingrem los.

Warme start

Als de motor werd gebruikt vlak voordat u hem wilt starten en nog warm is, voert u de volgende stappen uit:

1. Druk meerdere keren op de brandstofhandpomp tot de brandstof in de brandstofhandpomp stroomt. (Over het algemeen, 7 tot 10 keer drukken.)
2. Duw de combinatieschakelaar omhoog (choke-stand) en weer terug naar de middelste stand (I).
3. Trek langzaam aan de trekstarthandgreep tot u de compressieweerstand voelt. Trek er daarna hard aan. Het kan twee tot vier pogingen vergen tot de motor start. Als de motor niet start, voert u de stappen voor een koude start uit (zie het tekstdeel getiteld "Koude start").
Zodra de motor is gestart, pakt u de achterhandgreep vast (de gashendelvergrendeling wordt opgeheven door het vastpakken) en knijp de gashendel een stukje in en laat hem weer los.
4. Zet de kettingrem los.

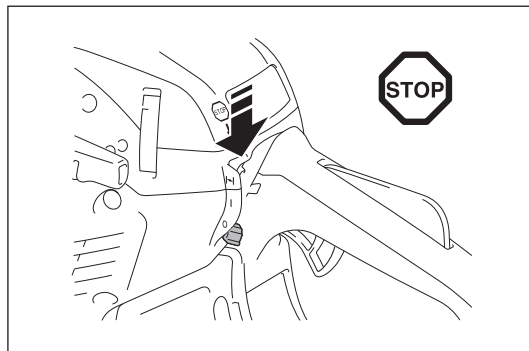


De motor uitzetten

Laat de gashendel los en duw daarna de combinatieschakelaar naar de onderste stand (O).

De combinatieschakelaar keert automatisch terug naar de middelste stand (I). De motor stopt wanneer deze schakelaar wordt uitgezet, maar is klaar om te worden gestart.

Om de elektrische voeding van de ontsteking te onderbreken, duwt u de combinatieschakelaar helemaal omlaag tot voorbij het weerstandspunt om hem te vergrendelen in de stand (O).



Het stationair toerental afstellen

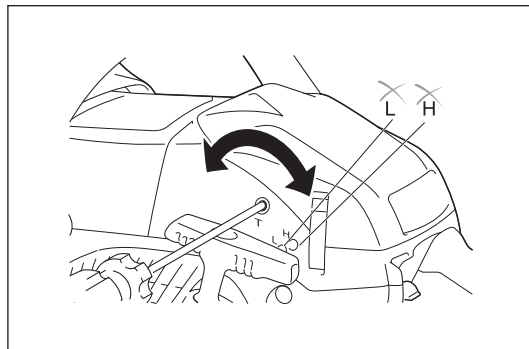
⚠ WAARSCHUWING:

- Stel het stationair toerental niet af voordat de kettingzaag volledig in elkaar gezet en gecontroleerd is.
- Als na het afstellen van het stationair toerental de zaagketting nog steeds draait, stopt u onmiddellijk met het gebruik van de kettingzaag en brengt u hem voor reparatie naar een erkend Dolmar-servicecentrum.

⚠ LET OP:

- Verander de instelling van de schroeven (H) en (L) in de afbeelding niet. Als bij stationair toerental de zaagketting draait zonder dat de gashendel wordt aangeraakt, is het noodzakelijk om het stationair toerental af te stellen. Stel het stationair toerental als volgt af:

1. Start de motor en warm hem gedurende twee of drie minuten op, maar laat de motor niet op een hoog toerental draaien.
2. Om het stationair toerental te verlagen, draait u de stelschroef linksom.
3. Om het stationair toerental te verhogen, draait u de stelschroef rechtsom.
4. Controleer dat de zaagketting niet draait bij stationair toerental.



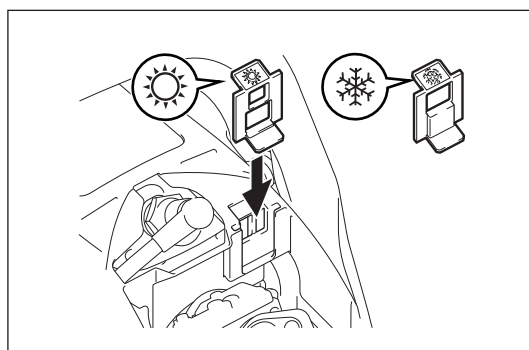
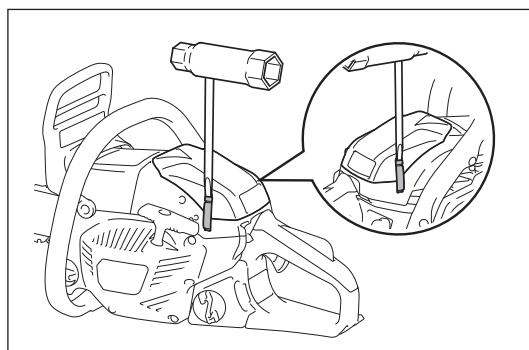
Ijsvorming in de carburateur voorkomen

KENNISGEVING:

- Als de omgevingstemperatuur hoger is dan 5°C, zet u de sluiters altijd terug op de normale instelling (zon-symbool). Anders kan de motor beschadigd worden door oververhitting.

Wanneer de omgevingstemperatuur laag is (0°C - 5°C) en de vochtigheid hoog is, kan waterdamp in de carburateur bevriezen en de motor onregelmatig lopen (ijsvorming in de carburateur). Verander zo nodig de instelling van de sluiters als volgt.

1. Haal de luchtfilterkap eraf.
2. Trek de sluiters eruit.
3. Zet de sluiters in de anti-ijsvormingstand (sneeuw-symbool).
4. Bevestig de luchtfilterkap weer.



ONDERHOUD

⚠ WAARSCHUWING:

- Zorg ervoor dat de motor van de kettingzaag uit staat en de bougiekap van de bougie is afgetrokken alvorens onderhoudswerkzaamheden of inspecties uit te voeren.
- Wacht totdat de motor is afgekoeld alvorens enige onderhoudswerkzaamheden uit te voeren.
- Draag altijd veiligheidshandschoenen.
- Start de kettingzaag alleen nadat deze volledig is gemonteerd en is geïnspecteerd.
- Blijf uit de buurt van open vuur en rook niet.

⚠ LET OP:

- Voor het behoud van de VEILIGHEID en BETROUWBAARHEID van het product, dienen reparaties, onderhoud en instellingen die niet worden beschreven in deze gebruiksaanwijzing te worden uitgevoerd door een erkend Dolmar-servicecentrum. Gebruik altijd originele Dolmar-ervangingsonderdelen.

De zaagketting slijpen

De zaagketting moet worden geslepen wanneer:

- De houtsnippers die door het zagen worden geproduceerd eruit zien als zaagsel.
- De zaagketting alleen onder grote druk in het hout dringt.
- De zaagmesjes zichtbaar beschadigd zijn.
- De kettingzaag tijdens het zagen naar links of rechts wordt getrokken. Dit wordt veroorzaakt door ongelijkmatig slijpen van de zaagketting.

KENNISGEVING:

- Slijp regelmatig zonder te veel te verwijderen! Over het algemeen zijn twee of drie slijpbewegingen met de vijl voldoende.
- Laat de zaagketting slijpen door een servicecentrum nadat u deze al enkele keren zelf hebt geslepen.

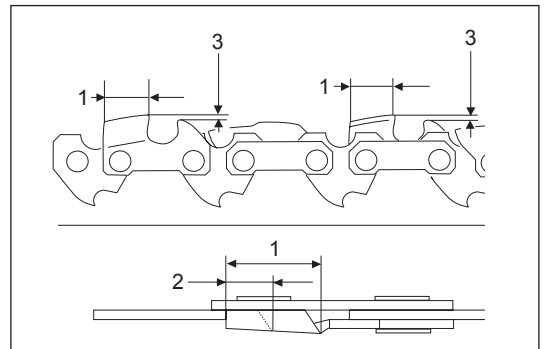
De juiste manier van slijpen

⚠ LET OP:

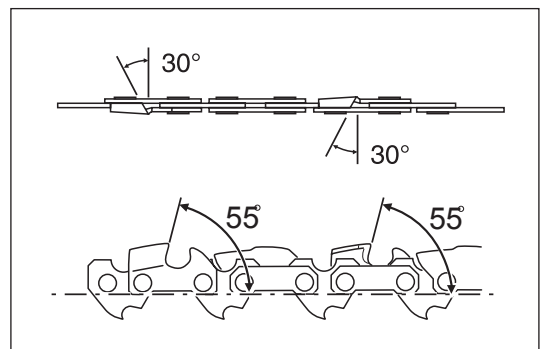
- Gebruik uitsluitend zaagkettingen en zaagbladen die bedoeld zijn voor deze kettingzaag.
- Een te grote zaagdiepte (3) vergroot de kans op terugslag.

Regels met betrekking tot het slijpen (voor zaagketting 492 (91PX))

- Houd alle messen (1) van de zaagketting op dezelfde lengte. Als de messen verschillende lengten hebben, zal de zaagketting onregelmatig lopen en kunnen barsten in de zaagketting ontstaan.
- De minimumlengte van de messen (2) is 4 mm. Slijp de zaagketting niet wanneer de lengte van de messen korter wordt dan 4 mm. In dat geval moet de zaagketting worden vervangen.
- De zaagdiepte (3) wordt bepaald door het verschil in hoogte tussen de dieptevoeler (ronde neus) en de punt van de messen.
- De beste resultaten worden behaald met een zaagdiepte van 0,64 mm (0,025").

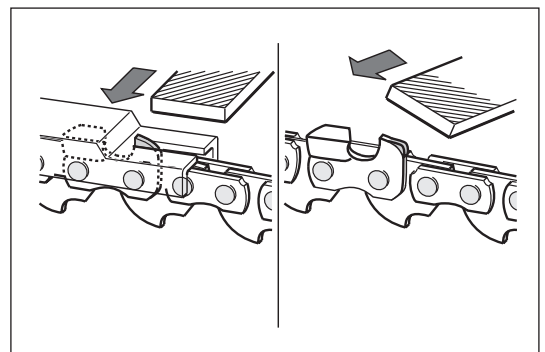
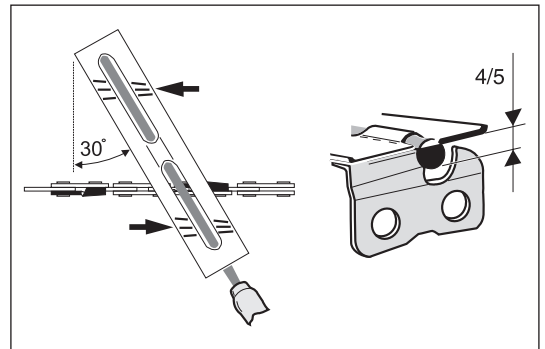
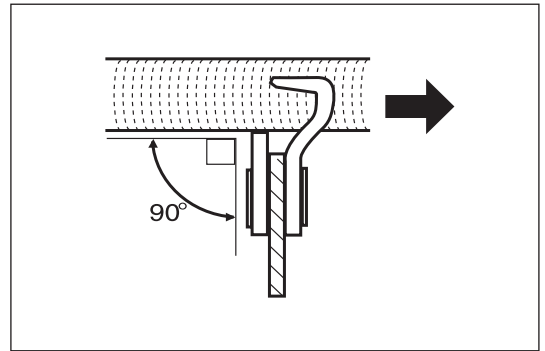


- Behoud dezelfde slijphoek van 30° voor alle messen.
- Gebruik een geschikte ronde vijl tegen de tanden zodat een correcte slijphoek van 55° behouden blijft.
- Slijp de messen met een correcte hoek omdat anders de zaagketting ruw en onregelmatig kan lopen, waardoor een verhoogde slijtage optreedt en de zaagketting kan breken.



Vijlen en vijlbeweging

- Gebruik een speciale ronde vijl (los verkrijgbaar) voor het slijpen van een zaagketting. Normale ronde vijlen zijn niet geschikt.
- Gebruik een ronde vijl met een diameter van 4,0 mm.
- De vijl mag alleen tijdens de voorwaartse beweging met het mes in aanraking komen. Til de vijl van het mes af tijdens de achterwaartse beweging.
- Slijp eerst het kortste mes. Daarna is de lengte van het kortste mes de standaard voor alle overige messen van de zaagketting.
- Beweeg de vijl zoals aangegeven in de afbeelding.
- Een vijlhouder (los verkrijgbaar) helpt de vijl in de juiste richting te houden. Op de vijlhouder staan merktekens voor de juiste slijphoek van 30°. Bij gebruik van de vijlhouder, lijnt u de markeringen uit parallel aan de zaagketting, en beperkt u de vijldiepte tot 4/5 van de vijldiameter.
- Nadat de zaagketting is geslepen, controleert u de zaagdiepte met behulp van het kettingmeetgereedschap (los verkrijgbaar).
- Verwijder kleine hoogteverschillen met een speciale platte vijl (los verkrijgbaar).
- Maak de voorkant van de dieptevoeler rond.



De binnenkant van het kettingdeksel schoonmaken

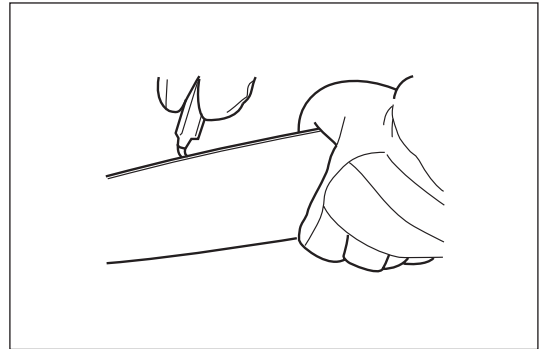
Verwijder het kettingdeksel, de zaagketting en het zaagblad.
Maak de binnenkant van het kettingdeksel schoon met een borstel.

KENNISGEVING:

Controleer of er geen resten van vreemde stoffen zijn achtergebleven in de olietoevoergroef, kettingspanpen en remband.

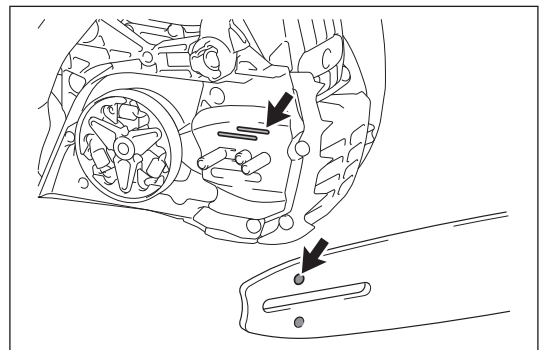
Het zaagblad schoonmaken

Controleer de loopvlakken van het zaagblad regelmatig op beschadigingen. Maak het schoon met een geschikt gereedschap.



De olietoevoergroef schoonmaken

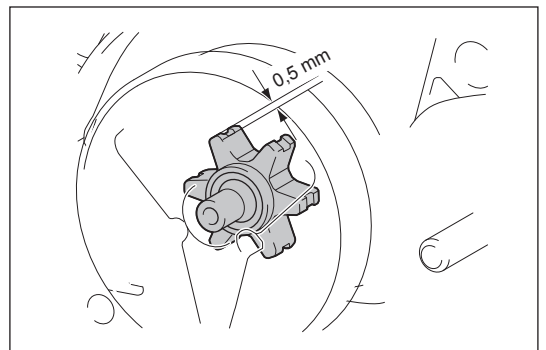
Maak de olietoevoergroef en het olietoevoergat in het zaagblad regelmatig schoon.



Het kettingwiel controleren

⚠ LET OP:

Een versleten kettingwiel kan een nieuw zaagketting beschadigen. Gebruik niet een nieuwe zaagketting op een versleten kettingwiel. Controleer het kettingwiel voordat u een nieuwe zaagketting aanbrengt. Vraag een erkend Dolmar-servicecentrum het gereedschap te repareren in geval van een defect of wanneer het kettingwiel meer dan 0,5 mm versleten is.



Het luchtfilter schoonmaken

⚠ LET OP:

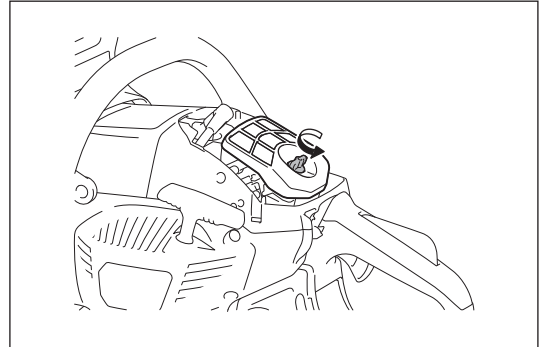
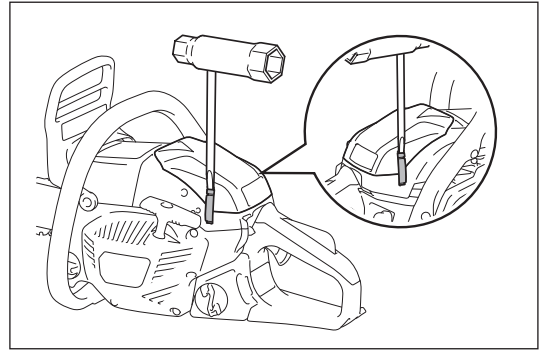
- Draag altijd oogbescherming.

Om het luchtfilter schoon te maken, voert u de volgende stappen uit:

1. Duw de combinatieschakelaar omhoog (choke-stand) om te voorkomen dat vuil of vreemde materialen in de carburateur vallen.
2. Open twee haken met een platkopschroevendraaier en verwijder luchtfilterkap.
3. Draai de moer los en verwijder daarna het luchtfilter.

OPMERKING:

- Houd tijdens het schoonmaken de opening afgedekt met een schone doek om te voorkomen dat vuil of vreemde stoffen in de carburateur vallen.
 - Als het luchtfilter beschadigd is, vervangt u het onmiddellijk.
4. Tik ertegen of maakt het schoon met een borstel of luchtcompressor om het vuil te verwijderen.
 5. Als het luchtfilter zeer vuil is, vervangt u het door een nieuwe.
 6. Breng het luchtfilter en de luchtfilterkap weer aan door de bovenstaande stappen in omgekeerde volgorde uit te voeren.



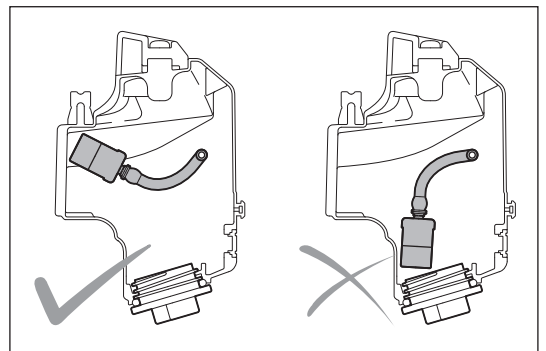
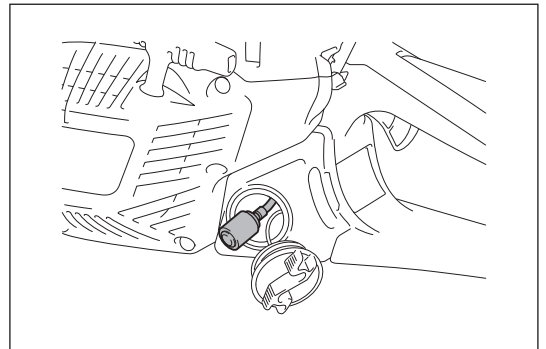
Het brandstoffilter schoonmaken

Het brandstoffilter op de zuigkop wordt gebruikt om de brandstof die door de carburateur wordt aangezogen, te filteren. Voer regelmatig een visuele inspectie uit.

1. Draai de tankdop eraf en gebruik een draadhaak om de zuigkop uit de brandstofvulopening te trekken.
2. Als het filter hard of verstopt is, vervangt u het.
3. Na het controleren, schoonmaken of vervangen van het brandstoffilter, bevestigt u het met een slangklem op de brandstofleiding. Duw het brandstoffilter helemaal naar de bodem van de brandstoftank.

OPMERKING:

- Wij adviseren u het brandstoffilter minstens elke drie maanden te vervangen om voldoende brandstoftoevoer naar de carburateur te garanderen. Anders kan door onvoldoende brandstoftoevoer een motorstoring ontstaan.

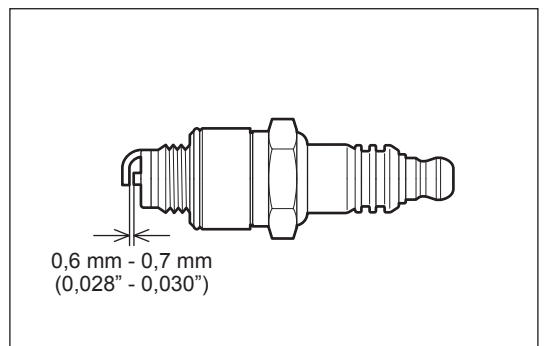


De bougie controleren

⚠ LET OP:

- Raak de bougiekap nooit aan terwijl de motor draait (gevaar van elektrische schok door hoogspanning).

De afstand tussen de twee elektroden van de bougie moet 0,6 tot 0,7 mm bedragen. Als de afstand te groot of te klein is, moet u deze aanpassen. Als de elektroden van de bougie verstopt of vervuild zijn, moet u deze grondig schoonmaken of de bougie vervangen.



Rondom de cilinder schoonmaken

⚠ LET OP:

- Draag altijd oogbescherming.

Na langdurig gebruik, kan zich vuil ophopen rondom de cilinder. Dit kan oververhitting van de motor veroorzaken. Maak regelmatig schoon rondom de cilinder.

Maak als volgt schoon:

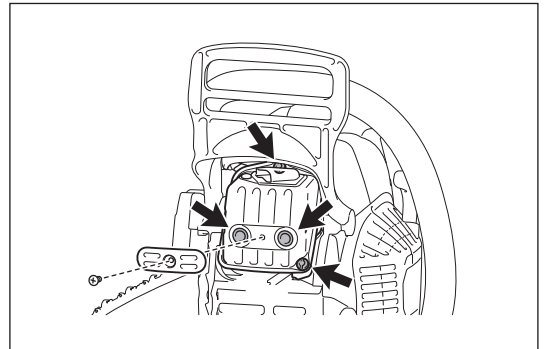
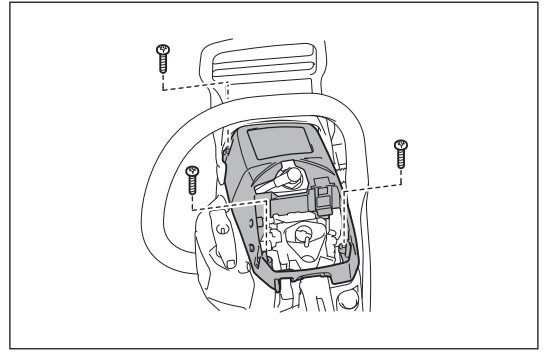
1. Open twee haken en verwijder de luchtfilterkap.
2. Verwijder het luchtfilter.

OPMERKING:

- Houd tijdens het schoonmaken de opening afgedekt met een schone doek om te voorkomen dat vuil of vreemde stoffen in de carburateur vallen.
3. Verwijder drie schroeven en verwijder het cilinderdeksel. Het is gemakkelijker om het cilinderdeksel te verwijderen wanneer de beschermkap van de voorhandgreep naar voren is geduwd.
 4. Maak rondom de cilinder en de koelribben van de cilinder schoon. Gebruik zo nodig een borstel of luchtcompressor.
 5. Breng het cilinderdeksel, het luchtfilter en de luchtfilterkap weer aan.

De schroeven van de uitlaatdemper controleren

Verwijder het cilinderdeksel en stofschermbeschermer, en controleer of de vier schroeven van de uitlaatdemper goed vast zitten. Draai ze vast als ze los zitten.



De vonkenvanger controleren

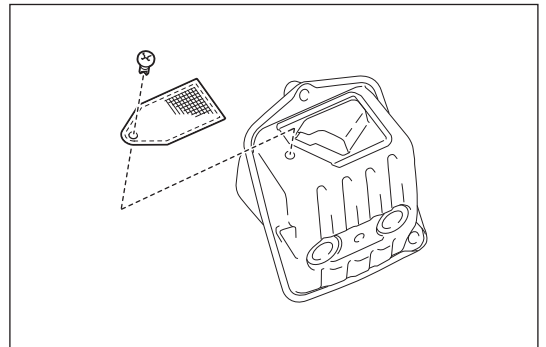
⚠ LET OP:

• Start de motor niet als de vonkenvanger beschadigd is of ontbreekt. De vonkenvanger voorkomt dat hete koolstofdeeltjes uit de uitlaatpijp vliegen. Controleer de vonkenvanger regelmatig aan de hand van de volgende stappen:

1. Verwijder het cilinderdeksel.
2. Verwijder de schroef waarmee de vonkenvanger is bevestigd. Het is gemakkelijker om de schroef te verwijderen wanneer de beschermkap van de voorhandgreep naar voren is geduwd. Verschuif daarna de vonkenvanger.

Maak de vonkenvanger zo nodig schoon met een staalborstel.

Als de vonkenvanger beschadigd is, vervangt u hem.



Onderdelen schoonmaken

Houd de motor altijd schoon door deze af te vegen met een poetsdoek.

Bouten, moeren en schroeven inspecteren

- Controleer bouten, moeren, enz. Draai ze zo nodig vast.
- Controleer of de brandstofvuldop en olievuldop goed vastgedraaid zijn. Controleer op brandstoflekkage.
- Vervang beschadigde onderdelen door nieuwe voor een veilig gebruik.

Het gereedschap bewaren

⚠ LET OP:

- De motor is nog heet vlak nadat de motor is uitgeschakeld. Als u de brandstof gaat aftappen, wacht u voldoende lang om de motor te laten afkoelen nadat deze is uitgeschakeld. Anders kunt u uw huid verbranden of kan brand ontstaan.
- Als het gereedschap gedurende een lange tijd niet gebruikt gaat worden, tapt u alle brandstof uit de brandstoftank en carburateur, en slaat u het op een droge, schone plaats op.

Biologisch afbreekbare zaagkettingolie kan slechts een beperkte tijdsduur bewaard worden. Twee jaar na de productiedatum begint biologisch afbreekbare olie hechteigenschappen te ontwikkelen, waardoor schade aan de oliepomp en de onderdelen van het smeersysteem kan worden veroorzaakt.

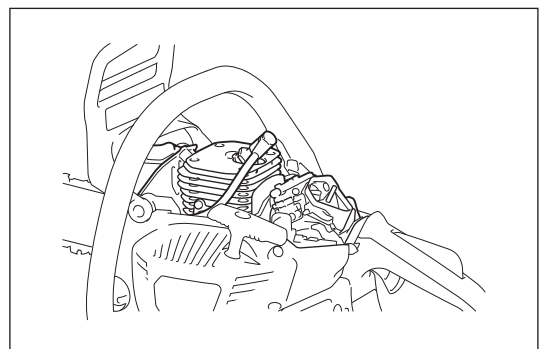
- Alvorens de kettingzaag gedurende langere tijd buiten gebruik te stellen, leegt u de olietank en giet u er een kleine hoeveelheid motorolie (SAE 30) in.
- Laat de kettingzaag een korte tijd draaien om alle resten van de biologisch afbreekbare olie uit de olietank, het smeersysteem en het zaagmechanisme te spoelen.

Bewaar de kettingzaag op een geschikte ondergrond.

Voordat u de kettingzaag weer in gebruik neemt, vult u de olietank met nieuwe biologisch afbreekbare zaagkettingolie.

OPMERKING:

- Nadat de kettingzaag buiten gebruik is gesteld, zal gedurende enige tijd een kleine hoeveelheid kettingolie eruit lekken. Dit is normaal en duidt niet op een defect.



ONDERHOUDSINTERVAL

Voor een lange levensduur van het gereedschap, en om de volledige functionaliteit van de veiligheidsvoorzieningen te garanderen, dient u regelmatig onderhoudswerkzaamheden uit te voeren.

Item \ Gebruikstijd		Vóór gebruik	Dagelijks	Wekelijks	Iedere 3 maanden	Jaarlijks	Vóór opslag
Kettingzaag	Inspecteren.	<input type="radio"/>					
	Schoonmaken.		<input type="radio"/>				
	Laten controleren door een erkende servicecentrum.					<input type="radio"/>	
Zaagketting	Inspecteren./Slijpen, zo nodig.	<input type="radio"/>					
Zaagblad	Inspecteren.	<input type="radio"/>					
Kettingrem	Controleren van de werking.	<input type="radio"/>					
	Laat deze regelmatig inspecteren door een erkend servicecentrum.				<input type="radio"/>		
Trekstarthandgreep	Inspecteren.	<input type="radio"/>					
Kettingsmering	Controleren van de olietoevoersnelheid.	<input type="radio"/>					
Combinatieschakelaar	Inspecteren.	<input type="radio"/>					
Gashendelvergrendeling	Inspecteren.	<input type="radio"/>					
Gashendel	Inspecteren.	<input type="radio"/>					
Brandstoftankdop	Controleren op stevig vastgedraaid.	<input type="radio"/>					
Olietankdop	Controleren op stevig vastgedraaid.	<input type="radio"/>					
Luchtfilter	Schoonmaken.		<input type="radio"/>				
Stationair toerental	De zaagketting draait niet rond bij stationair toerental.		<input type="radio"/>				
Rondom de cilinder	Schoonmaken.			<input type="radio"/>			
Bougie	Inspecteren./Schoonmaken./ Vervangen, zo nodig.				<input type="radio"/>		
Vonkenvanger	Inspecteren./Schoonmaken./ Vervangen, zo nodig.				<input type="radio"/>		
Uitlaatdemper	Controleren of schroeven zijn vastgedraaid.			<input type="radio"/>			
Kettingvanger	Inspecteren.			<input type="radio"/>			
Bouten en moeren	Inspecteren.			<input type="radio"/>			
Brandstoffilter	Inspecteren./Vervangen, zo nodig.				<input type="radio"/>		
Brandstoftank	Legen.						<input type="radio"/>
Carburateur	Met draaiende motor leegmaken.						<input type="radio"/>

* Alvorens de olietank leeg te maken, onderzoekt u de beste manier om afgewerkte olie weg te gooien. Giet de olie niet in het riool, op tuingrond of in open water. Uw plaatselijke overheid of milieudienst kan meer informatie geven over de juiste wijze van verwerken.

PROBLEMEN OPLOSSEN

Alvorens een verzoek voor reparatie in te dienen, controleer u de storing zelf aan de hand van de onderstaande tabel. Voor reparatie neemt u contact op met een erkend servicecentrum.

Toestand tijdens defect	Mogelijke oorzaak	Oplossing
Zaagketting draait niet.	Kettingrem is in werking getreden.	Zet de kettingrem los.
Motor start niet.	Storing van bougie.	Controleer de bougie.
	Brandstoftank is leeg.	Vul de brandstoftank.
	Probleem met brandstoftoevoer.	Controleer of het brandstoffilter verstopt zit.
	Storing van gereedschap.	Vraag uw plaatselijke, erkende servicecentrum het gereedschap te repareren.
Onvoldoende prestaties.	Luchtfilter is vuil.	Maak het luchtfilter schoon. Vervang hem zo nodig.
	Rondom de cilinder is het vuil.	Maak rondom de cilinder schoon.
	Omgevingstemperatuur is erg laag.	Verander de instelling van de sluiters op de carburateur. Zie het tekstdeel getiteld "Ijsvorming in de carburateur voorkomen".
Geen kettingolie op de zaagketting.	Olietank is leeg.	Vul de olietank.
	Olietoevoergroef is verstopt.	Reinig de groef.
	Olietoevoer is niet goed ingesteld.	Stel de hoeveelheid toegevoerde olie in.
	Storing in oliepomp.	Vraag uw plaatselijke, erkende servicecentrum het gereedschap te repareren.
De zaagketting stopt niet, ook niet wanneer de kettingrem in werking treedt.	Remband is versleten.	Stop onmiddellijk met het gebruik van het gereedschap en vraag uw plaatselijke, erkende servicecentrum het gereedschap te repareren.
Het gereedschap trilt abnormaal sterk.	Zaagblad of zaagketting zit los.	Stel het zaagblad en de kettingspanning in.
	Storing van gereedschap.	Stop onmiddellijk met het gebruik van het gereedschap en vraag uw plaatselijke, erkende servicecentrum het gereedschap te repareren.
De zaagketting staat niet stil wanneer de motor stationair draait.	Het stationair toerental is te hoog.	Stel het stationair toerental goed in.
	Koppeling defect.	Stop onmiddellijk met het gebruik van het gereedschap en vraag uw plaatselijke, erkende servicecentrum het gereedschap te repareren.

Tabla de contenido

Página

Símbolos..... 127
 Precauciones de seguridad..... 128
 Datos técnicos..... 134
 Denominación de las piezas..... 135
 Función de seguridad de la motosierra..... 136
 Montaje..... 138
 Antes del uso..... 141
 Puesta en marcha y detención del motor..... 143
 Mantenimiento..... 145
 Intervalo de mantenimiento..... 150
 Solución de problemas..... 151

SÍMBOLOS

	Lea el manual de instrucciones y respete las advertencias y las precauciones de seguridad.		¡Precaución, contragolpe!
	¡Cuidado y atención específicos!		
	¡Prohibido!		Freno de la cadena
	Utilice un casco de seguridad y protección para los ojos y oídos.		¡Sujete la sierra con ambas manos mientras trabaja! ¡El uso con una sola mano es extremadamente peligroso!
	¡Utilice guantes de protección!		Mezcla de combustible y aceite
	¡No fume!		Llenado de aceite de la cadena/bomba de aceite
	¡Se prohíben las llamas abiertas!		Tornillo de ajuste del aceite de la cadena de la sierra
	¡Detenga el motor!		Bomba de cebado
	Puesta en marcha del motor		Dirección de la cadena
	Interruptor combinado, activación (ON) del estrangulador/PARADA		Primeros auxilios

PRECAUCIONES DE SEGURIDAD

Uso previsto

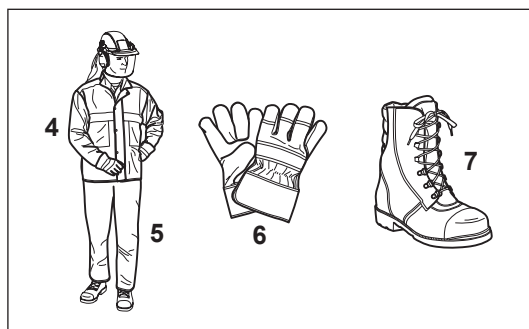
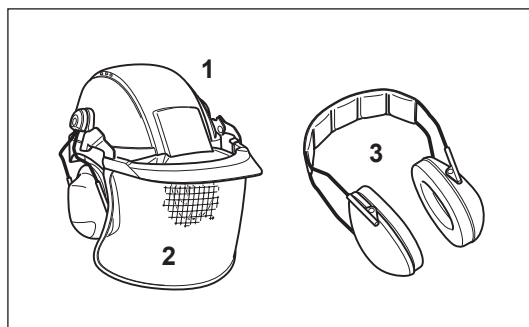
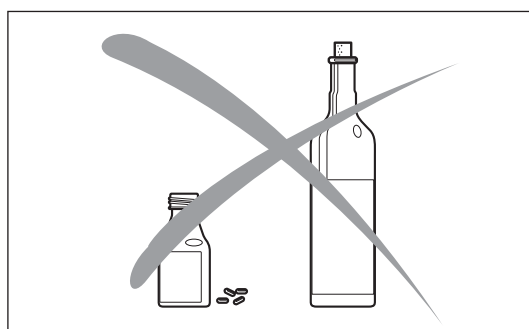
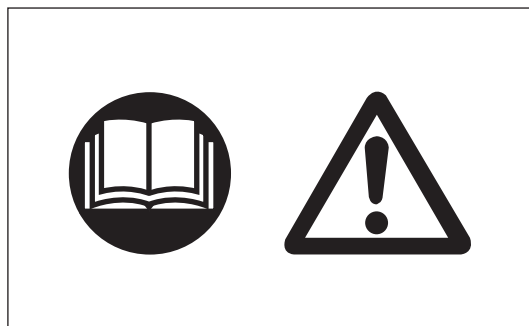
Esta motosierra solo se ha diseñado para cortar madera al aire libre.

Precauciones generales

- **Para garantizar un uso correcto, el usuario debe leer este manual de instrucciones** para familiarizarse con las características de la motosierra. Los usuarios con una información insuficiente se pondrán en riesgo a ellos mismos y pondrán en riesgo a otros a causa de un manejo incorrecto.
- Se recomienda prestar la motosierra solamente a personas que tengan experiencia en el trabajo con motosierras. Entregue siempre el manual de instrucciones.
- Los usuarios que utilizan la herramienta por primera vez deben solicitar al distribuidor instrucciones para familiarizarse con las características del aserrado con motosierra o incluso deben asistir a un curso de instrucción homologado.
- No se debe permitir que los niños o las personas de menos de 18 años utilicen la motosierra. No obstante, las personas de más de 16 años pueden usar la motosierra con finalidades de aprendizaje si están bajo la supervisión de un instructor cualificado.
- Utilice la motosierra solamente si se encuentra en buen estado físico. Si está cansado, su atención se verá reducida. Tenga especial cuidado al final de un día de trabajo. Realice todo el trabajo con calma y con cuidado. El usuario tiene que aceptar la responsabilidad por otros.
- Esté atento, preste atención a lo que está haciendo y utilice su sentido común al manejar una motosierra. Un momento de distracción durante el uso puede dar como resultado daños corporales graves.
- Nunca utilice la motosierra tras consumir alcohol, drogas o medicamentos.
- El silenciador puede contener sustancias cancerígenas en su interior. Evite el contacto con ellas si se daña el silenciador.
- El sistema de encendido del motor emite ondas electromagnéticas durante su uso. Puede interferir con los equipos médicos bajo ciertas circunstancias y puede provocar lesiones graves a personas con marcapasos. Se recomienda que las personas con marcapasos consulten con su médico y el fabricante del marcapasos antes de utilizar la motosierra.
- No utilice una motosierra que parezca modificada.
- Debe haber disponible un extintor y una pala en las inmediaciones cuando se trabaje en vegetación fácilmente inflamable o cuando no haya llovido en mucho tiempo (peligro de incendio).
- Las normativas nacionales pueden restringir el uso de la máquina. Respete las normativas de su país para el uso de la motosierra.

Equipo de protección personal

- **Para evitar lesiones en la cabeza, los ojos, las manos o los pies y para proteger los oídos, debe llevarse el siguiente equipo de protección mientras se utiliza la motosierra:**
- El tipo de ropa debe ser apropiado, es decir, debe estar ajustado al cuerpo pero no debe ser una molestia. No lleve joyas ni prendas que puedan engancharse en arbustos o maleza. Si tiene cabellos largos, lleve siempre una red para pelo.
- Es necesario llevar un casco de protección cuando se trabaje con la motosierra. Debe comprobarse periódicamente si el casco protector (1) tiene algún daño y se debe sustituir como máximo después de 5 años. Utilice solamente cascos protectores homologados.
- La pantalla facial (2) del casco protector (o las gafas) protege del aserrín y las virutas de madera. Durante el uso de la motosierra lleve siempre gafas o una pantalla facial para evitar daños en los ojos.
- Utilice un equipo de protección acústica adecuado (protectores de oído (3), tapones para los oídos, etc.). La exposición prolongada al ruido puede provocar trastornos auditivos permanentes.
- La chaqueta de seguridad (4) se proporciona con correas de hombro con colores de señales especiales, de gran comodidad y de fácil cuidado.
- El pantalón de seguridad con peto (5) está hecho de una fibra de nylon con 22 capas y protege contra cortes. Recomendamos encarecidamente su utilización.
- Los guantes de protección (6) hechos de cuero grueso son parte del equipo reglamentario y deberán ser usados durante la utilización de la motosierra.
- Durante la utilización de la motosierra se deberán utilizar siempre zapatos de seguridad o botas de seguridad (7) dotados de suela antideslizante, puntera de acero y protección de la pierna. Los zapatos de seguridad equipados con una capa protectora proporcionan protección contra cortes y garantizan un equilibrio seguro.
- Utilice una máscara protectora cuando sea necesario. La exposición prolongada a los gases de escape, al aceite de la cadena en suspensión y al aserrín puede perjudicar su salud.



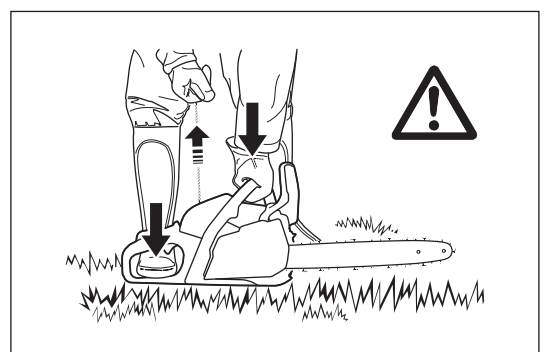
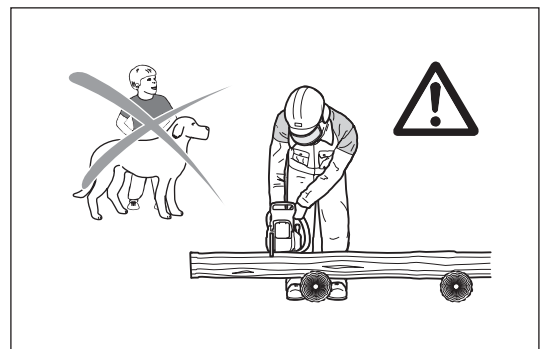
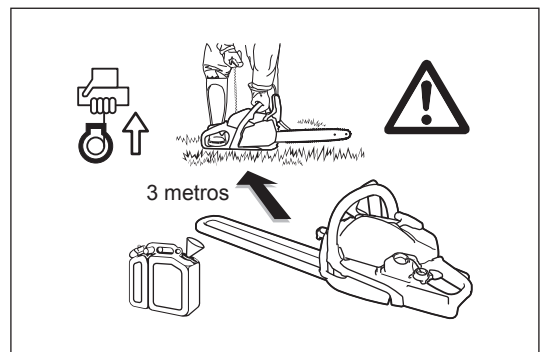
Combustible/Repostaje

- Detenga el motor antes de repostar la motosierra.
- No fume ni trabaje cerca de llamas abiertas.
- Deje que el motor se enfríe antes de repostar.
- El combustible puede contener sustancias similares a los disolventes. Los ojos y la piel no deben entrar en contacto con productos de aceite mineral. Utilice siempre guantes de protección durante el repostaje. Limpie y cambie frecuentemente la ropa de protección. No inhale el vapor de combustible. La inhalación de vapores de combustible puede ser peligrosa para su salud.
- No vierta combustible o aceite de la cadena. Si vierte combustible o aceite, limpie inmediatamente la motosierra. El combustible no debe entrar en contacto con la ropa. Si la ropa entra en contacto con combustible, cámbiela inmediatamente.
- Asegúrese de que el combustible o el aceite de la cadena no rezumen en el suelo (protección medioambiental). Utilice una base adecuada.
- No se permite repostar en recintos cerrados. Los vapores de combustible se acumularán cerca del suelo (peligro de explosión).
- Asegúrese de apretar firmemente la tapa de rosca de los depósitos de combustible y de aceite.
- Cambie de ubicación antes de poner en marcha el motor (como mínimo 3 m desde el lugar de repostaje).
- El combustible no se puede guardar durante un período de tiempo ilimitado. Compre solamente la cantidad que utilizará en un futuro próximo.
- Utilice solamente los contenedores homologados y marcados para el transporte y el almacenamiento de combustible y aceite de la cadena. Asegúrese de que los niños no tengan acceso al combustible o al aceite de la cadena.



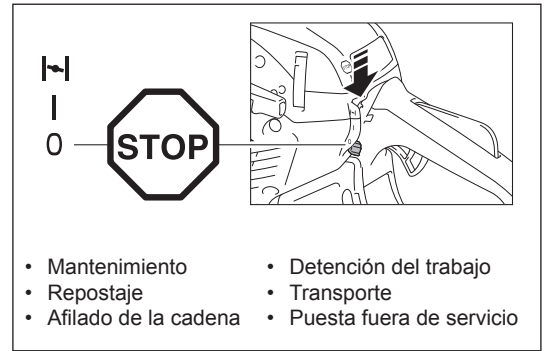
Inicio de las operaciones

- **No trabaje usted solo. Debe haber una persona cerca para un caso de emergencia** (a una distancia en la que oigan su voz).
- Asegúrese de que no haya niños u otras personas en el área de trabajo. Preste atención también a los animales que pueda haber en el área de trabajo.
- **Antes de iniciar el trabajo debe comprobarse el correcto funcionamiento y la seguridad de funcionamiento de la motosierra de acuerdo con las instrucciones. Nunca utilice una motosierra defectuosa.** Compruebe especialmente el funcionamiento del freno de la cadena, el correcto montaje de la barra de guía, el correcto afilado y el correcto apriete de la cadena, el montaje firme de la cubierta de la cadena, el fácil movimiento del disparador de la mariposa de gases y el funcionamiento del bloqueo del disparador de la mariposa de gases, la limpieza y la sequedad de las empuñaduras y el funcionamiento del interruptor combinado.
- Si deja caer la motosierra o recibe otros impactos, deje de usar la herramienta inmediatamente y realice la inspección para identificar daños o defectos importantes.
- Ponga en funcionamiento la motosierra solamente si está completamente montada. No utilice nunca la motosierra si no se ha ensamblado completamente.
- Compruebe su equipo de protección personal.
- Ponga en marcha la motosierra únicamente como se describe en este manual de instrucciones. No se permite ningún otro método de puesta en marcha.
- Antes de poner en marcha la motosierra, asegúrese de que el suelo que pisa es firme.
- Cuando se ponga en marcha la motosierra, debe estar bien apoyada y firmemente sujeta. La barra de guía y la cadena no deben estar en contacto con ningún objeto.
- Compruebe que llegue suficiente aceite de la cadena a la cadena.



Funcionamiento

- **Cuando trabaje con la motosierra, sujétela siempre con ambas manos.**
Tome la empuñadura trasera con la mano derecha y la empuñadura frontal con la mano izquierda. Sujete las empuñaduras firmemente con los pulgares orientados hacia los dedos.
- **⚠ PRECAUCIÓN: Cuando suelte el disparador de la mariposa de gases la cadena seguirá girando durante un breve período de tiempo** (efecto de giro por inercia).
- Asegúrese continuamente de que tiene un equilibrio seguro.
- Sujete la motosierra de forma que no inhale los gases de escape. No trabaje en habitaciones cerradas (peligro de intoxicación).
- **Apague la motosierra inmediatamente si observa algún cambio en su comportamiento de funcionamiento.**
- **El motor se debe apagar antes de comprobar la tensión de la cadena o el apriete de la cadena, sustituirla o solucionar averías.**
- Si el dispositivo de aserrar es golpeado por piedras u otros objetos duros, apague el motor inmediatamente y compruebe el dispositivo de aserrar.
- Cuando deje de trabajar o vaya a abandonar el lugar de trabajo, apague la motosierra y déjela de forma que no ponga en peligro a nadie.
- **⚠ PRECAUCIÓN: No coloque la motosierra sobrecalentada en césped seco o sobre objetos inflamables. El silenciador está muy caliente (peligro de incendio).**
- **PRECAUCIÓN:** El goteo de aceite de cadena o barra guía después de haber parado la cadena de la sierra contaminará la tierra. Utilice siempre una base adecuada.

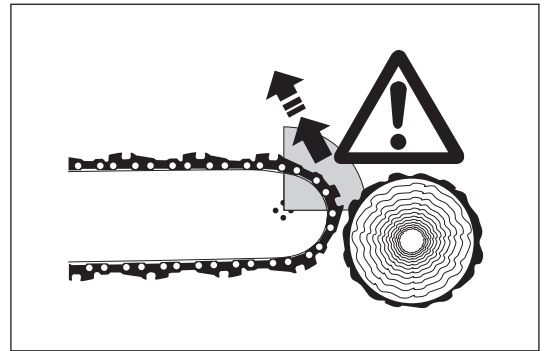


Contragolpe

- Durante el trabajo con la motosierra se pueden producir peligrosos contragolpes.
- El contragolpe se produce cuando la parte superior de la barra de guía toca accidentalmente madera u otros objetos duros.
- Esto hace que la motosierra salga despedida hacia el usuario con gran fuerza y fuera de control. **¡Riesgo de lesiones!**

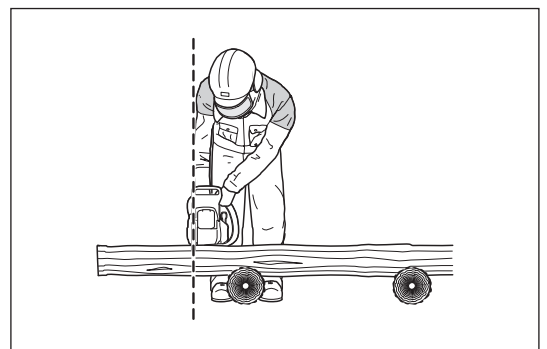
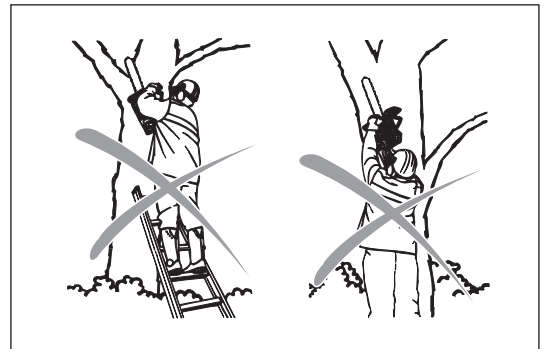
Para evitar el contragolpe, respete estas reglas:

- ¡Los cortes de penetración radial, es decir, perforación de troncos o madera con la punta de la sierra, solamente deberán ser realizados por personas especialmente capacitadas!
- Nunca aplique el extremo de la barra cuando empiece a realizar un corte.
- Observe siempre el extremo de la barra guía. Tenga cuidado cuando continúe un corte ya comenzado.
- Cuando comience a cortar, la cadena deberá estar girando.
- Asegúrese de que la cadena esté siempre correctamente afilada. Preste especial atención a la altura del limitador de profundidad.
- No corte nunca varias ramas a la vez. Cuando vaya a cortar una rama, asegúrese de que no tocará ninguna otra rama.
- Cuando corte un tronco a través, sea consciente de otros troncos junto a él.



Comportamiento de trabajo/Método de trabajo

- Utilice la motosierra únicamente en períodos de buena iluminación y visibilidad. Tenga cuidado con las zonas húmedas o resbaladizas y de hielo o nieve (riesgo de resbalar). El riesgo de resbalar es muy alto cuando se trabaja en madera pelada recientemente (corteza).
- No trabaje nunca en superficies inestables. Asegúrese de que no haya obstáculos en el área de trabajo, ya que corre el riesgo de tropezar. Asegúrese siempre de que tiene un equilibrio seguro.
- No corte nunca por encima de la altura de los hombros.
- No corte nunca mientras esté subido a una escalera.
- No se suba a árboles mientras realice la operación de corte con la motosierra.
- No trabaje inclinándose demasiado.
- Guíe la motosierra de forma que ninguna parte de su cuerpo esté en el intervalo de oscilación ampliado de la sierra.
- Utilice la motosierra para cortar madera solamente.
- Evite tocar el suelo con la motosierra mientras todavía esté en marcha.
- No utilice nunca la motosierra para levantar o retirar trozos de madera u otros objetos.
- Retire objetos extraños como tierra, piedras y clavos en el área de trabajo. Los objetos extraños pueden dañar el dispositivo de aserrar y pueden ocasionar peligrosos contragolpes.
- Cuando sierre madera precortada, utilice un soporte seguro (caballete de aserrar). No sostenga la pieza de trabajo con su pie, ni permita que nadie la sujete ni la sostenga.
- Sujete las piezas redondas para que no giren.

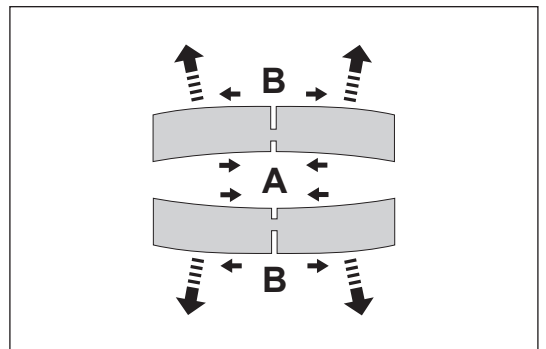
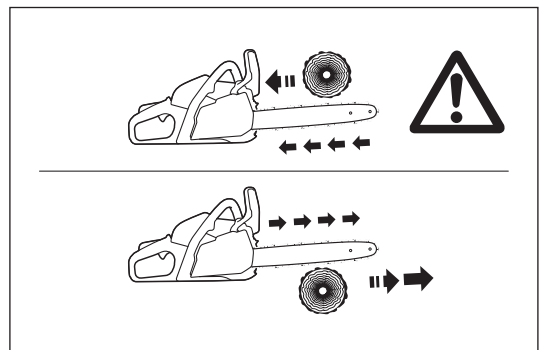
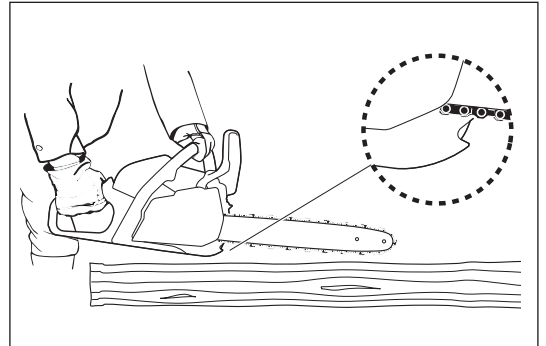
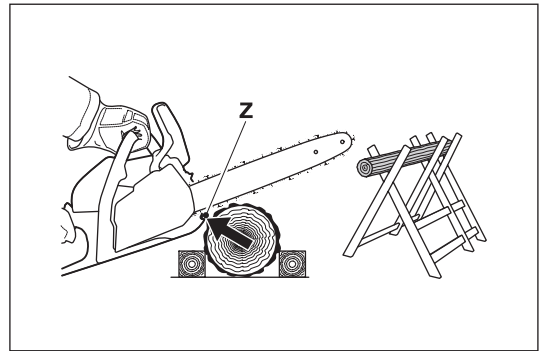


- Para cortar árboles o realizar cortes transversales, debe aplicarse el paragolpes con púas (Z) a la madera que se desea cortar.
- Antes de realizar un corte transversal aplique firmemente el paragolpes con púas a la madera; solo entonces se podrá cortar la madera con la cadena en funcionamiento. Para ello, la motosierra se levanta por la empuñadura trasera y se guía con la empuñadura frontal. El paragolpes con púas sirve como centro de rotación. Siga presionando ligeramente la empuñadura frontal y simultáneamente tire hacia atrás de la motosierra. Aplique el paragolpes con púas un poco más profundo y vuelva a levantar la empuñadura trasera.
- Si la madera se debe perforar con la punta de la sierra para su corte o para cortes longitudinales se recomienda encarecidamente que esa tarea solo la realicen personas con formación especial (alto riesgo de contragolpe).
- Realice cortes - longitudinales - a lo largos con el menor ángulo posible. Tenga mucho cuidado cuando realice este tipo de corte, ya que el paragolpes con púas no puede adherirse.
- La motosierra debe estar funcionando cuando la retire de la madera.
- Cuando realice varios cortes debe soltar el disparador de la mariposa de gases entre ellos.
- Tenga cuidado cuando corte madera astillada. Pueden salir despedidas piezas de madera (riesgo de lesiones).
- Cuando corte con el borde superior de la barra de guía, la motosierra debe empujarse en la dirección del usuario si la cadena queda atrapada. Por este motivo, utilice el borde inferior de la barra siempre que sea posible. De esta forma la motosierra será empujada en dirección contraria a usted.
- Si la madera está sometida a tensión, primero corte el lado de presión (A). Después el corte transversal podrá ser realizado en el lado de tensión (B). De esta manera, se podrá evitar que se atasque la barra de guía.

⚠ PRECAUCIÓN:

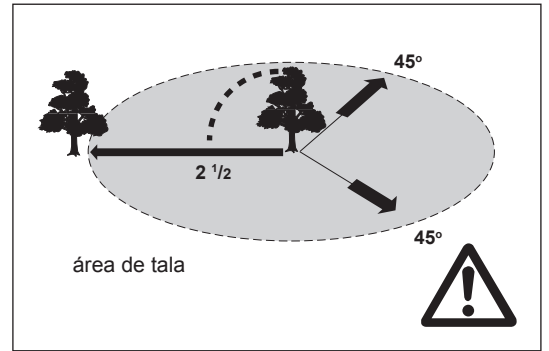
Las personas que talen árboles o corten ramas deben estar especialmente capacitadas. ¡Alto riesgo de lesiones!

- Cuando corte ramas, la motosierra se debe apoyar en el tronco. No utilice el extremo de la barra de guía para cortar (riesgo de contragolpe).
- Tenga cuidado con las ramas sometidas a tensión. No corte ramas sueltas desde abajo.
- No realice nunca cortes de destensionamiento estando de pie en el tronco.

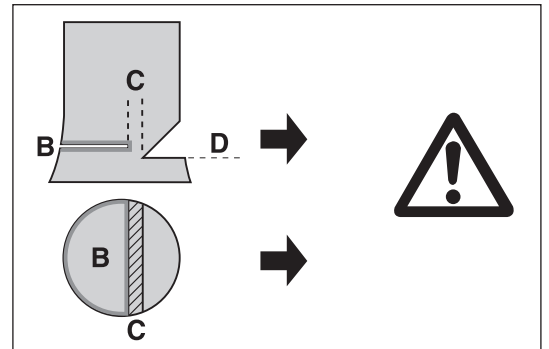
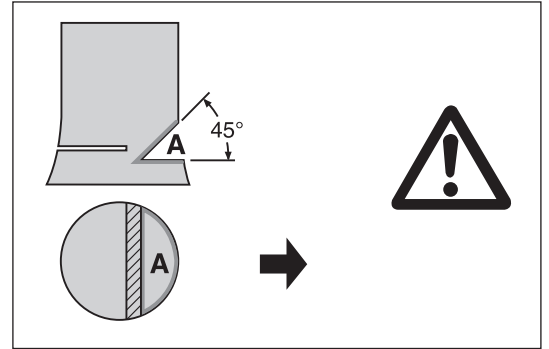


• **Antes de talar un árbol, asegúrese de que**

- a) solamente se encuentren en el área de trabajo las personas que realmente participen en la tala del árbol.
- b) todos los trabajadores que participen en la tarea puedan retirarse sin tropezar (las personas deben retirarse hacia atrás en línea diagonal, es decir, con un ángulo de 45°).
- c) la parte inferior del tronco esté libre de objetos extraños, maleza y ramas. Asegúrese de que el suelo que pisa sea seguro (riesgo de tropezar).
- d) el siguiente lugar de trabajo esté a una distancia de al menos 2 veces y media la longitud del árbol. Antes de talar el árbol, compruebe la dirección hacia la que caerá y asegúrese de que no haya gente ni objetos dentro de una distancia de 2 veces y media la longitud del árbol.

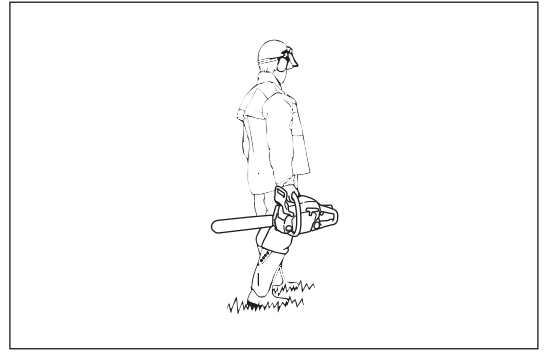


- **Evaluación del árbol:** Dirección de inclinación - ramas sueltas o secas - altura del árbol - parte saliente natural - ¿está podrido el árbol?
- Tenga en cuenta la dirección y la velocidad del viento. Si hay ráfagas fuertes, no haga ninguna tala.
- **Corte de las raíces:** Comience con la raíz más fuerte. Primero haga el corte vertical y después el horizontal.
- **Entallamiento del tronco:** La entalladura (A) determinará la dirección de la caída y guiará al árbol. El tronco se debe entallar perpendicular a la dirección de caída y la entalladura debe penetrar entre un tercio y una quinta parte del diámetro del tronco. Realice el corte cerca del suelo.
- Cuando quiera corregir el corte, hágalo siempre en todo lo ancho de la entalladura.
- **Tale** el árbol por encima del borde inferior de la entalladura (D). El corte debe ser exactamente horizontal (B). La distancia entre ambos cortes (C) deberá ser aproximadamente una décima parte del diámetro del tronco.
- El **material entre ambos cortes** actúa como una articulación. No corte nunca a través, de lo contrario, el árbol caerá sin control. Inserte cuñas para tala cada cierto tiempo.
- Afiance el corte solamente con cuñas de plástico o aluminio. No utilice cuñas de hierro. Si la sierra se topa con una cuña de hierro, la cadena podrá dañarse seriamente o romperse.
- Cuando tale un árbol, póngase siempre en el costado del lado que va a caer el árbol.
- Al retirarse después de haber realizado el corte, esté atento a las ramas que caigan.
- Cuando se trabaje en terreno inclinado, el operario de la motosierra deberá estar por encima o en el costado del tronco a cortar o del árbol ya cortado.
- Esté atento a los troncos que puedan rodar hacia usted.



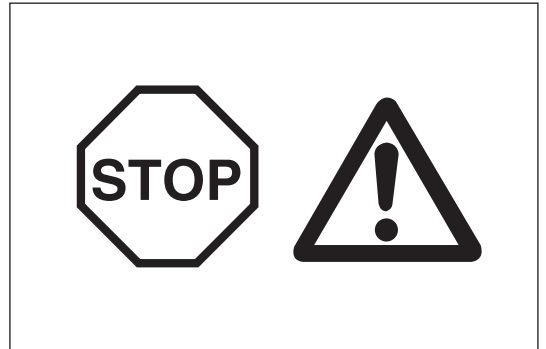
Transporte y almacenamiento

- Cuando cambie de lugar durante el trabajo, apague la motosierra y accione el freno de la cadena para evitar un inicio accidental de la cadena.
- Nunca transporte la motosierra con la cadena de sierra en funcionamiento. Cuando la sierra esté caliente, no la cubra (con una lona, una manta, un periódico o un elemento similar). Deje que la sierra se enfríe antes de colocarla en una caja de almacenamiento o un vehículo. ¡Las sierras con catalizador tardan más en enfriarse!
- Utilice la cubierta de protección de la cadena durante el transporte y el almacenamiento.
- Transporte la motosierra sujetándola por la empuñadura frontal. La barra de guía apunta hacia atrás. Evite el contacto con el silenciador (peligro de quemaduras).
- Asegúrese de que la motosierra esté en una posición segura durante el transporte en un vehículo para evitar fugas de combustible, daños o lesiones.
- Almacene la motosierra de forma segura en un lugar seco. No se debe almacenar a la intemperie. Mantenga la motosierra alejada de los niños.
- Antes de almacenar la motosierra durante un largo periodo de tiempo o enviarla a algún lugar, deberá vaciar completamente los depósitos de combustible y de aceite.
- Realice la limpieza y el mantenimiento antes del almacenamiento.



Mantenimiento

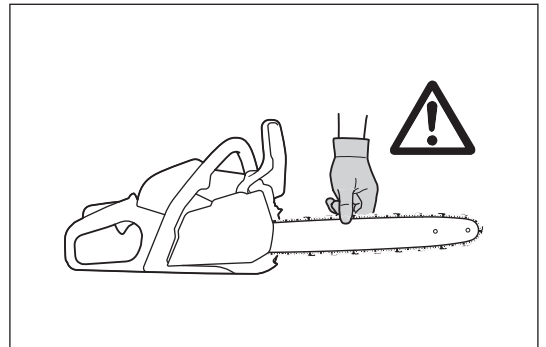
- Antes de realizar trabajos de mantenimiento, apague la motosierra y desenchufe el capuchón de la bujía.
- Antes de iniciar el trabajo compruebe siempre la seguridad de la motosierra, en concreto el funcionamiento del freno de la cadena. Asegúrese de que la cadena de sierra esté debidamente afilada y tensada.
- Utilice la motosierra solamente con bajos niveles de ruido y emisión. Para ello, asegúrese de que el carburador esté ajustado correctamente.
- Limpie regularmente la motosierra.
- Compruebe regularmente el apriete de la tapa del depósito.
- Respete las instrucciones de prevención de accidentes emitidas por las compañías de seguros y las asociaciones comerciales.
- No realice ninguna modificación en la motosierra. Pondrá su seguridad en peligro.
- Realice solamente los trabajos de reparación y mantenimiento descritos en el manual de instrucciones. Cualquier otro trabajo debe ser realizado por el servicio técnico de Dolmar.
- Utilice solamente accesorios y recambios originales de Dolmar.
- La utilización de piezas de repuesto o accesorios que no sean originales de Dolmar y combinaciones o longitudes de la barra de guía/cadena que no estén aprobados acarrearán un alto riesgo de sufrir accidentes. No aceptamos ninguna responsabilidad por accidentes y daños causados por el uso de dispositivos de aserrar o accesorios que no hayan sido aprobados.



Vibración

Las personas con problemas circulatorios que están expuestas a vibraciones excesivas pueden sufrir lesiones en los vasos sanguíneos o en el sistema nervioso. La vibración puede provocar los siguientes síntomas en los dedos, manos o muñecas: "adormecimiento", hormigueo, dolor, sensación punzante, alteración del color de la piel o de la piel.

Si sufre alguno de estos síntomas, acuda a un médico. Para reducir el riesgo de dedos blancos a causa de las vibraciones, mantenga sus manos tibias, utilice guantes y asegúrese de que la cadena de la sierra esté afilada.



Primeros auxilios

En caso de accidente, asegúrese de que cerca del lugar en el que se realicen las operaciones de corte esté disponible un botiquín de primeros auxilios. Reponga inmediatamente cualquier artículo que tome del botiquín de primeros auxilios.

Cuando solicite ayuda, proporcione la siguiente información:

- Lugar del accidente
- Qué ha ocurrido
- Número de personas heridas
- Tipo de lesiones
- Su nombre



Sólo para países europeos

Declaración de conformidad de la CE

La Declaración de conformidad de la CE se incluye como Anexo A en este manual de instrucciones.

DATOS TÉCNICOS

Modelo		PS-352	PS-352 TLC
Longitud total (sin barra de guía)	mm	388	
Peso neto	kg	4,2	
Cilindrada	cm ³	35,2	
Diámetro del cilindro	mm	38	
Carrera	mm	31	
Máx. potencia con revoluciones	kW/min ⁻¹	1,7/10.000	
Máx. par con revoluciones	Nm/min ⁻¹	2,0/7.000	
Velocidad a ralentí/velocidad máxima del motor con barra de guía y cadena	min ⁻¹	2.900/13.500	
Velocidad de acoplamiento de embrague	min ⁻¹	4.100	
Carburador	Tipo	Diafragma	
Bujía	Tipo	NGK BPMR 8Y	
Separación entre electrodos	mm	0,7	
Capacidad del depósito de combustible	cm ³	310	
Capacidad del depósito de aceite de la cadena	cm ³	260	
Relación de mezcla (combustible-aceite de 2 tiempos) Aceite original de Dolmar o de grado JASO FC (ISO EGC) o superior		50:1	
Freno de la cadena		Se activa manualmente o en caso de contragolpe.	
Velocidad de la cadena	m/s	25,3	
Paso de la rueda dentada	mm (pulgadas)	0,95 (3/8)	
Número de dientes	Z	6	
Nivel de presión sonora en el lugar de trabajo L _{PA, eq} de acuerdo con ISO 22868 ¹⁾	dB (A)	99	
	K _{PA}	2,5	
Nivel de potencia sonora L _{WA, FI + Ra} de acuerdo con ISO 22868 ²⁾	dB (A)	111	
	K _{WA}	2,5	
Aceleración de vibración a _{hv, eq} de acuerdo con ISO 22867 ¹⁾	empuñadura frontal	m/s ²	3,3
		K	2,0
	empuñadura trasera	m/s ²	3,4
		K	2,0

1) Cifras derivadas en partes iguales de operación a ralentí, carga completa y velocidad máxima.

2) Cifras derivadas en partes iguales de carga completa y velocidad de carrera.

- Debido a nuestro programa continuo de investigación y desarrollo, las especificaciones aquí descritas están sujetas a cambios sin previo aviso.
- Las especificaciones pueden ser diferentes de un país a otro.

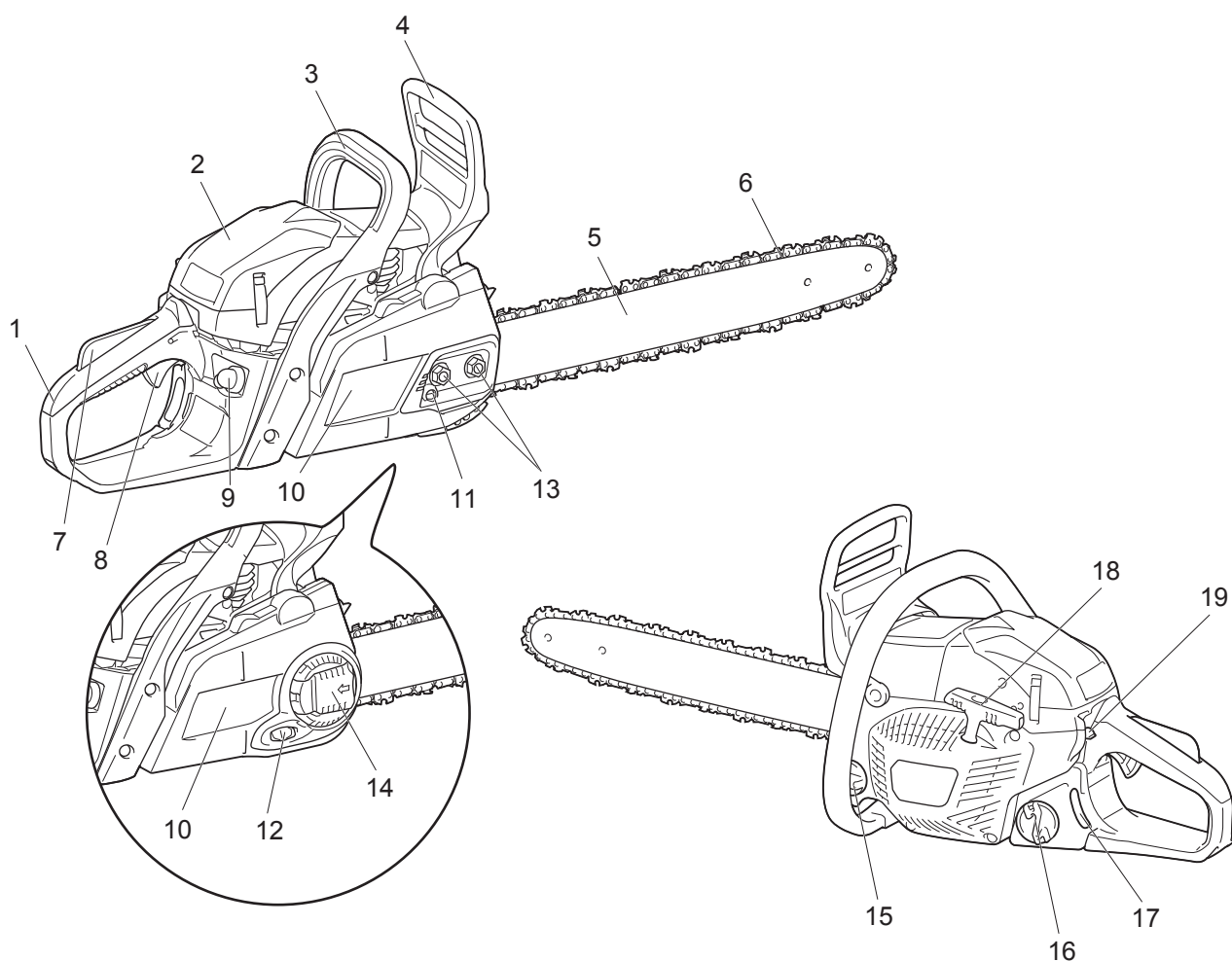
Barra de guía y cadena de la sierra

Tipo de barra de guía		Barra con rueda dentada en la punta	
Longitud		350 mm	400 mm
Longitud de corte		325 mm	360 mm
Cadena de la sierra	Tipo	492 (91PX)	
Paso de los dientes		3/8"	
Calibre		1,3 mm (0,05")	
Nº de eslabones		52	56

⚠ ADVERTENCIA:

Utilice la combinación adecuada de barra de guía y cadena de la sierra. De lo contrario, puede sufrir lesiones personales.

DENOMINACIÓN DE LAS PIEZAS



Denominación de las piezas	
1	Empuñadura trasera
2	Cubierta del filtro de aire
3	Empuñadura frontal
4	Protector de mano delantero
5	Barra de guía
6	Cadena de la sierra
7	Bloqueo del disparador de la mariposa de gases
8	Disparador de la mariposa de gases
9	Bomba de combustible (cebador)
10	Cubierta de la cadena
11	Tornillo de ajuste de la cadena
12	Dial de ajuste de la cadena
13	Tuercas de retención
14	Palanca
15	Tapa del depósito de aceite
16	Tapa del depósito de combustible
17	Indicador del nivel de combustible
18	Empuñadura de arranque
19	Interruptor combinado

FUNCIÓN DE SEGURIDAD DE LA MOTOSIERRA

⚠ ADVERTENCIA:

- Las siguientes funciones de seguridad NO garantizan una protección ante lesiones en todo momento. **Solo un uso y una técnica correctos pueden reducir el riesgo de contrgolpe y otros accidentes peligrosos.**
- Compruebe siempre las funciones de seguridad antes del uso.
- Si la motosierra no supera las comprobaciones, apague el motor inmediatamente y NO la utilice. Póngase en contacto con un centro de servicio autorizado de Dolmar.

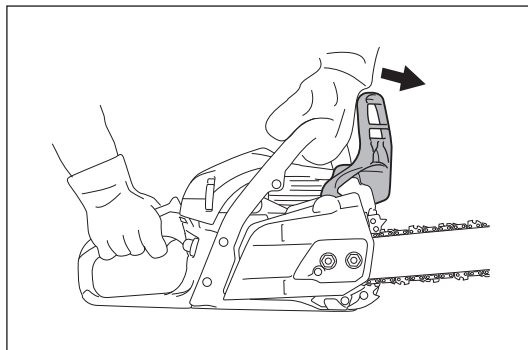
Freno de la cadena

El freno de la cadena se ha diseñado para detener la cadena por completo en una fracción de segundo. Se activa cuando el contragolpe es suficientemente fuerte. Para activar el freno de la cadena manualmente, empuje hacia delante el protector de mano delantero (hacia la punta de la sierra) con la mano izquierda.

Para liberar el freno de la cadena, tire del protector de mano delantero hacia atrás (hacia usted).

AVISO:

- No acelere el motor con el freno de la cadena accionado (excepto para realizar pruebas).
- Libere siempre el freno de la cadena antes de iniciar la operación.



Comprobación del freno de la cadena

1. Haga que el motor funcione al ralentí.
2. Sujete la motosierra con ambas manos. Sujete la empuñadura trasera con la mano derecha y la frontal con la izquierda. Asegúrese de que la barra de guía y la cadena no entren en contacto con ningún objeto.
3. Empuje el protector de mano delantero con el dorso de la mano hasta que se active el freno de la cadena.
4. Acelere hasta que el motor alcance las máximas revoluciones durante menos de 3 segundos. Asegúrese de que la cadena de la sierra no se mueva en absoluto.
5. Vuelva a poner el motor al ralentí y suelte el freno de la cadena.

Comprobación de la banda de freno

La banda de freno se encuentra en la parte posterior de la cubierta de la cubierta de la cadena. El freno de la cadena se desgasta con el paso del tiempo. Haga que se compruebe y se repare en un centro de servicio autorizado de Dolmar como mínimo cada 3 meses.

Bloqueo del disparador de la mariposa de gases

El bloqueo del disparador de la mariposa de gases se ha diseñado para evitar una puesta en marcha accidental. Puede accionar el disparador de la mariposa de gases solamente cuando se pulsa el bloqueo del disparador de la mariposa de gases (es decir, cuando sujeta la empuñadura).

Comprobación del bloqueo del disparador de la mariposa de gases

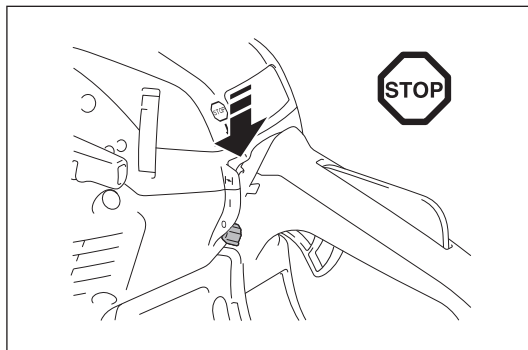
Compruebe que el bloqueo del disparador de la mariposa de gases vuelva a su posición original tras soltar su mano de la empuñadura trasera.

Detención del motor

Asegúrese de que el motor se detenga cuando usted desee.

Comprobación de la detención del motor

Ponga en marcha el motor. A continuación, suelte el disparador de la mariposa de gases y pulse el interruptor combinado hasta la posición inferior (O).

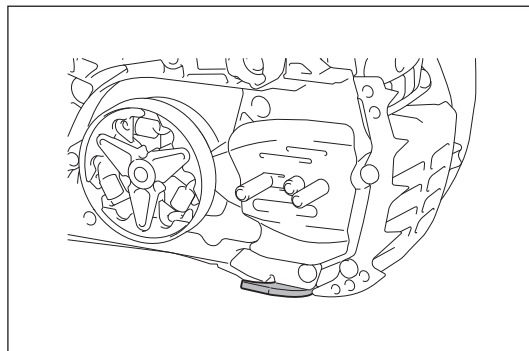


Receptor de cadena

El receptor de cadena se ha diseñado para recoger la cadena si la cadena de la sierra salta de la barra de guía. La cadena de la sierra no debe saltar si se ha tensado correctamente. Siempre debe comprobar y ajustar la tensión de la cadena de la sierra de acuerdo con este manual de instrucciones.

Comprobación del receptor de cadena

Compruebe que el receptor de cadena no esté dañado y que se asiente de forma segura en su alojamiento.



MONTAJE

⚠ ADVERTENCIA:

- Antes de realizar cualquier trabajo en la barra de guía o la cadena de la sierra, apague siempre el motor y asegúrese de que la herramienta de corte se haya detenido.
- Utilice siempre guantes de protección.

⚠ PRECAUCIÓN:

- Ponga en marcha la motosierra únicamente después de montarla completamente e inspeccionarla.

Instalación de la barra de guía y la cadena de la sierra

AVISO:

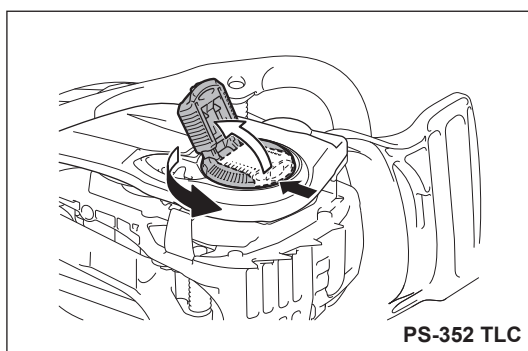
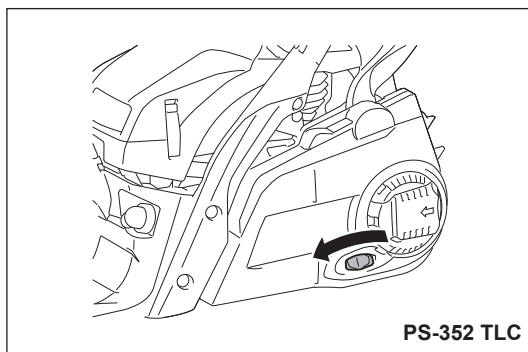
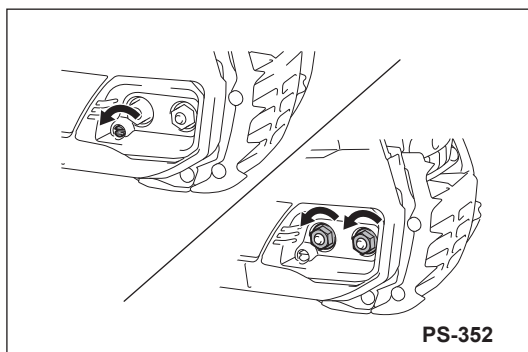
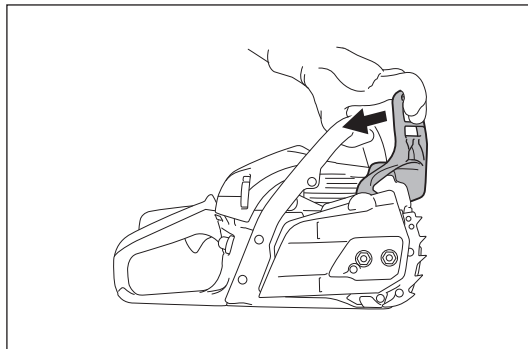
- La instalación o extracción de la cadena de sierra debe realizarse en un lugar libre de serrín u otros materiales extraños.

Coloque la motosierra sobre una superficie estable y siga estos pasos:

1. Libere el freno de la cadena tirando del protector de mano delantero.
2. Afloje la tensión de la cadena completamente.
3. (Para el modelo PS-352) Desatornille las tuercas de retención.
(Para el modelo PS-352 TLC) Pulse y abra completamente la palanca hasta que se detenga. Gire la palanca en el sentido contrario a las agujas del reloj.
4. Retire la cubierta de la cadena.

AVISO:

- No puede retirar la cubierta de la cadena sin liberar el freno de la cadena.



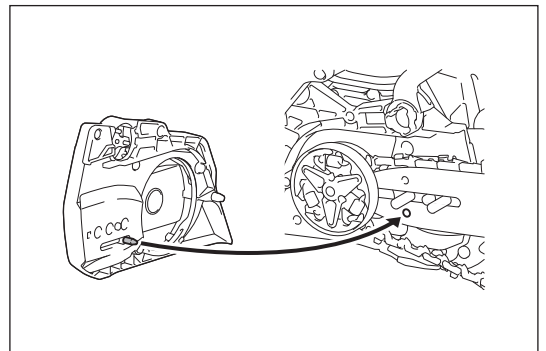
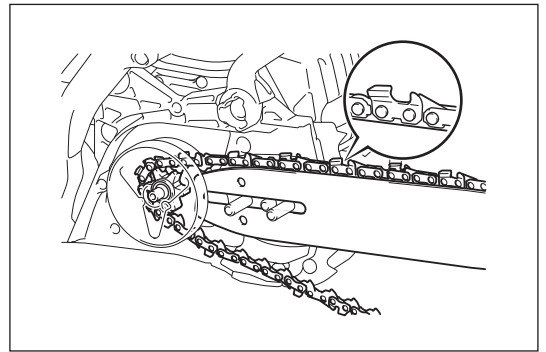
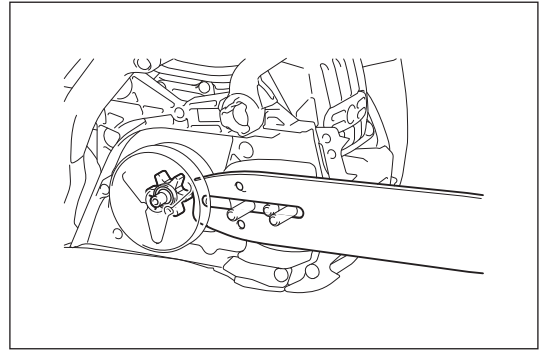
5. Coloque la barra de guía sobre los pernos de la barra.
6. Compruebe la dirección de la cadena de la sierra. Las flechas de la cadena de la sierra deben apuntar en la misma dirección que la carcasa de la motosierra.
7. Encaje la cadena de la sierra en la rueda dentada primero y después encaje la cadena de la sierra en la punta de la barra de guía.
8. Coloque la cubierta de la cadena haciendo que el pasador de ajuste encaje en el orificio de la barra de guía.

AVISO:

- Levante la cadena de la sierra por encima del receptor de cadena.
9. (Para el modelo PS-352) Apriete las tuercas de retención para fijar la cubierta de la cadena y, a continuación, aflójelas un poco para el ajuste de la tensión. (Para el modelo PS-352 TLC) Gire la palanca en el sentido de las agujas del reloj para fijar la cubierta de la cadena y, a continuación, aflójelas un poco para el ajuste de la tensión.
 10. Ajuste la tensión de la cadena de la sierra. (Consulte el paso 3 y posteriores de la sección "Ajuste de la tensión de la cadena de la sierra".)

NOTA:

- Para obtener un desgaste uniforme de la barra de guía, debe darle la vuelta cuando sustituya la cadena.



Ajuste de la tensión de la cadena de la sierra

⚠ PRECAUCIÓN:

- Una cadena de la sierra excesivamente floja puede saltar de la barra y, por lo tanto, presenta un riesgo de accidente. Si la cadena está demasiado floja, ajústela.
- Si la cadena de sierra está demasiado tensada, puede romperse, desgastar la barra de guía y romper el tornillo/dial de ajuste.

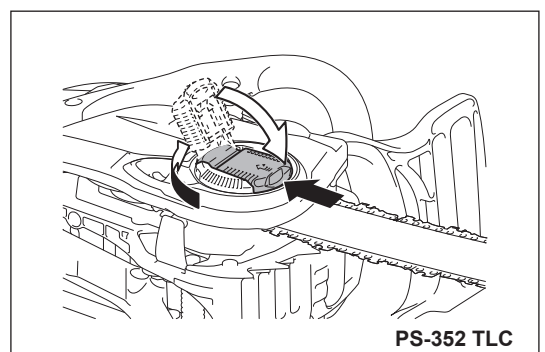
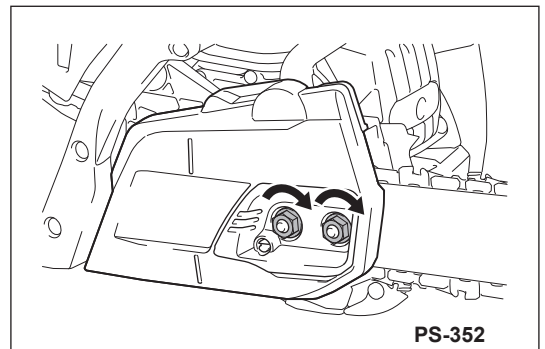
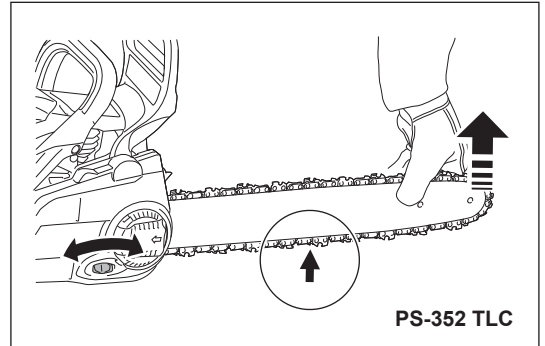
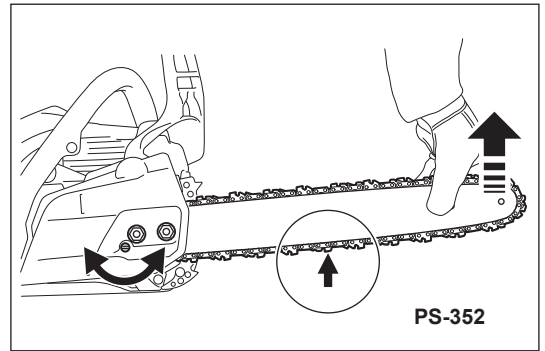
La cadena de la sierra puede aflojarse después de muchas horas de uso. Cuando cambie la cadena de la sierra o después de varias horas de uso, compruebe la tensión de la cadena de la sierra antes del uso. Una cadena de la sierra ajustada correctamente contribuye a un buen rendimiento y a una larga vida útil de la herramienta.

La tensión de la cadena es correcta si la cadena descansa contra la parte inferior de la barra de guía y aún se puede mover fácilmente a mano.

Compruebe la tensión de la cadena frecuentemente, una cadena nueva tiende a alargarse durante el uso.

Para ajustar la tensión de la cadena de la sierra, siga este procedimiento:

1. Libere el freno de la cadena tirando del protector de mano delantero.
2. (Para el modelo PS-352) Desatornille las tuercas de retención un poco para aflojar la cubierta de la cadena.
(Para el modelo PS-352 TLC) Pulse y abra completamente la palanca hasta que se detenga. Gire la palanca en el sentido contrario a las agujas del reloj un poco para aflojar la cubierta de la cadena.
3. Levante y sujete ligeramente la punta de la barra de guía.
4. (Para el modelo PS-352) Gire el tornillo de ajuste de la cadena para ajustar la tensión de la cadena de la sierra.
(Para el modelo PS-352 TLC) Gire el dial de ajuste de la cadena para ajustar la tensión de la cadena de la sierra.
5. Ajuste la tensión de la cadena hasta que el lado inferior de la cadena de la sierra encaje en el riel de la barra de guía (consulte el círculo en la figura). Durante el ajuste de la tensión de la cadena, mantenga levantada la punta de la barra de guía.
6. Siga sujetando la barra de guía ligeramente y apriete la cubierta de la cadena tras ajustar la tensión de la cadena.
(Para el modelo PS-352) Apriete las tuercas de retención para fijar la cubierta de la cadena.
(Para el modelo PS-352 TLC) Gire la palanca completamente en el sentido de las agujas del reloj para fijar la cubierta de la cadena. A continuación, apriete y cierre la palanca.
7. Asegúrese de que la cadena de la sierra no se afloje en el lado inferior y que se ajuste perfectamente contra el lado inferior de la barra.



ANTES DEL USO

⚠ ADVERTENCIA:

- EVITE EL CONTACTO CON LA PIEL Y LOS OJOS. Los productos de aceite mineral eliminan la grasa de su piel. Si la piel entra repetidamente en contacto con estas sustancias y durante un período de tiempo prolongado, se puede secar. Pueden provocarse varias enfermedades de la piel. También pueden producirse reacciones alérgicas. Los ojos pueden irritarse al entrar en contacto con el aceite. Si sus ojos entran en contacto con el aceite, lávelos inmediatamente con agua potable. Si sus ojos continúan irritados, acuda inmediatamente a un médico.

Combustible

⚠ PRECAUCIÓN:

- Tenga especial cuidado cuando manipule gasolina.
- No fume. Mantenga la herramienta alejada de llamas abiertas, chispas o fuego (peligro de explosión).

Mezcla de combustible

Esta herramienta cuenta con un motor -de dos tiempos refrigerado por aire de alto rendimiento. Funciona con una mezcla de gasolina y aceite para motores de dos tiempos.

El motor se ha diseñado para gasolina normal sin plomo con un octanaje mín. de 91 RON (89 AKI) y contenido de etanol no superior al 10%. En caso de no disponer de ese combustible, puede utilizar combustible con un octanaje mayor. Esto no afectará al motor.

Para obtener un rendimiento óptimo del motor y para proteger su salud y el medio ambiente, utilice sólo combustible sin plomo.

Para lubricar el motor, utilice aceite sintético para motores refrigerados por aire de dos tiempos (aceite original de Dolmar o de grado JASO FC (ISO EGC) o superior). Mezcle aceite de motor con combustible.

⚠ PRECAUCIÓN:

- No utilice una mezcla de combustible de venta en gasolineras.
- Relación de mezcla correcta: 50:1 es decir, mezcla de 50 partes de gasolina con 1 parte de aceite.

NOTA:

- Para preparar la mezcla de combustible y aceite, primero mezcle todo el aceite con la mitad del combustible necesario y, a continuación, añada el combustible restante. Agite bien la mezcla antes de verterla en el depósito de la motosierra. No añada más aceite de motor del especificado. Una relación de mezcla de aceite incorrecta hace que se produzcan más residuos de combustión contaminantes. También se obstruirá el canal de escape del cilindro y el silenciador, se reducirá el rendimiento y se producirá un exceso de consumo de combustible.

Almacenamiento del combustible

Los combustibles tienen un tiempo de almacenamiento limitado. Las mezclas de combustible envejecen por efecto de la evaporación, especialmente a altas temperaturas. El combustible y las mezclas de combustible envejecidas pueden provocar problemas de puesta en marcha y daños en el motor. Adquiera solo la cantidad de combustible que vaya a consumir en unos pocos meses. A altas temperaturas, cuando el combustible se haya mezclado, se debería usar en 6-8 semanas.

Almacene el combustible solo en contenedores adecuados, en ubicaciones secas, frías y seguras.

Aceite de la cadena

Utilice un aceite con aditivo adhesivo para lubricar la cadena y la barra de guía. El aditivo adhesivo evita que el aceite se caiga de la cadena demasiado rápidamente. Recomendamos la utilización de un aceite de la cadena original de Dolmar o un aceite de la cadena que sea biodegradable, para proteger el medio ambiente. Es posible que las normativas locales requieran el uso de aceite biodegradable. El aceite biodegradable solo es estable durante un período limitado de tiempo. Deberá ser utilizado en un periodo de 2 años a partir de la fecha de fabricación (impresa en el recipiente).

Nota importante sobre los aceites de la cadena biodegradables

Si no tiene pensado volver a utilizar la motosierra durante un periodo de tiempo prolongado, vacíe el depósito de aceite y ponga una pequeña cantidad de aceite de motor normal (SAE 30), y después ponga en marcha la motosierra durante un rato. Esto es necesario para hacer salir todo el aceite biodegradable restante del depósito de aceite, sistema de alimentación de aceite, cadena y barra de guía, ya que muchos de estos aceites tienden a dejar residuos pegajosos con el paso del tiempo, que pueden dañar la bomba de aceite u otras partes.

NO UTILICE NUNCA ACEITE USADO

El aceite usado es muy peligroso para el medioambiente.

El aceite usado contiene altas cantidades de sustancias cancerígenas.

Los residuos del aceite usado resultarán en un alto grado de deterioro de la bomba de aceite y el dispositivo de aserrar.

En caso de daños causados por utilizar aceite usado o aceite de cadena no apropiado, la garantía del producto será invalidada y anulada.

Repostaje y rellenado del aceite de la cadena

⚠ ADVERTENCIA:

- SIGA LAS PRECAUCIONES DE SEGURIDAD. Tenga cuidado y precaución cuando maneje combustibles.
- Apague el motor.

⚠ PRECAUCIÓN:

- Limpie la tapa del depósito y la superficie alrededor del depósito tras el repostaje. Reposte o rellene el aceite de la cadena de la siguiente manera:
1. Limpie minuciosamente alrededor de las tapas para que no entre suciedad en el depósito de combustible o de aceite.
 2. Desenrosque la tapa y rellene cada uno de los depósitos con combustible (mezcla de combustible/aceite) y aceite de la cadena respectivamente.
 3. Rellene hasta el borde inferior del cuello de llenado. ¡Tenga cuidado de no derramar combustible o aceite de la cadena!
 4. Apriete las tapas de los depósitos a mano lo máximo posible.

Lubricación de la cadena

⚠ ADVERTENCIA:

- Compruebe el depósito del aceite de la cadena solo cuando se haya apagado el motor.

Asegúrese de que haya suficiente aceite de la cadena en el depósito de aceite de la cadena para proporcionar una buena lubricación de la cadena durante las operaciones.

Con una tasa de alimentación media, la capacidad del depósito de aceite es aproximadamente igual al tiempo de funcionamiento con un depósito de combustible.

Antes de su utilización o del repostaje, compruebe el nivel de aceite de la cadena y rellene si es necesario.

Ajuste de la lubricación de la cadena

⚠ ADVERTENCIA:

- Apague el motor.

Puede ajustar la tasa de alimentación de la bomba de aceite con el tornillo de ajuste. Hay tres grados de tasa de alimentación de la bomba de aceite: alta, media o baja.

El tornillo de ajuste se encuentra en la parte inferior de la motosierra. Utilice un destornillador y ajuste correctamente la cantidad de entrega de aceite.

Limpieza de la guía de aceite

Para garantizar un funcionamiento seguro de la bomba de aceite, limpie periódicamente la ranura de la guía de aceite del alojamiento y el orificio de alimentación de aceite de la barra de guía.

Comprobación de la lubricación de la cadena

⚠ PRECAUCIÓN:

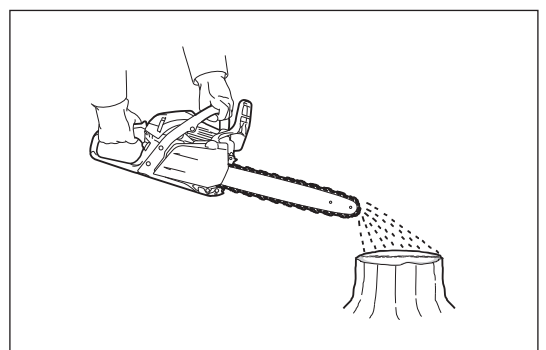
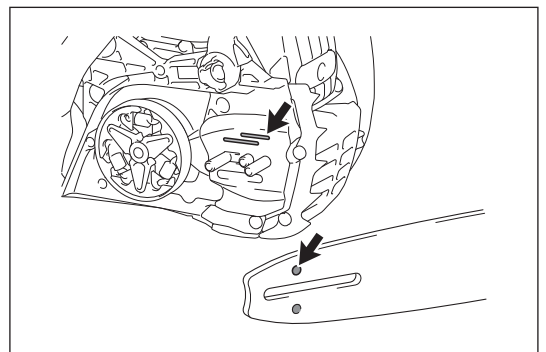
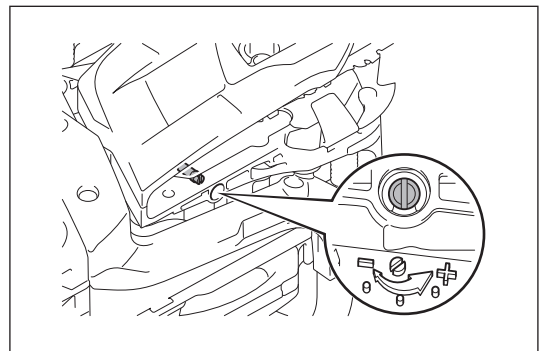
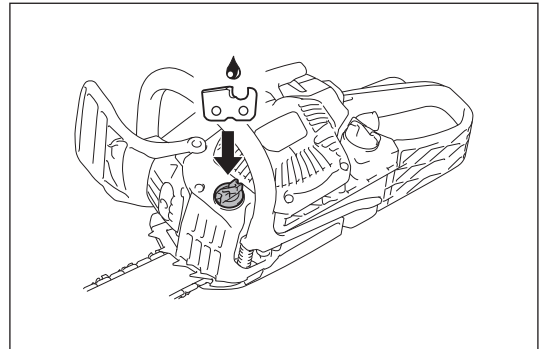
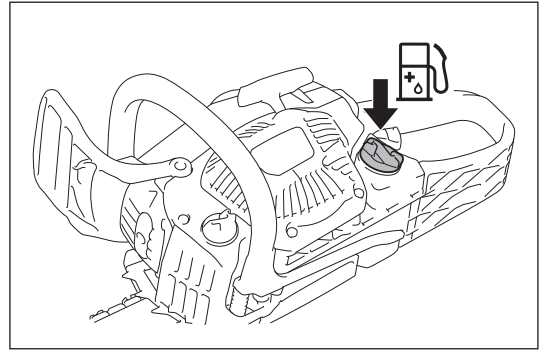
- Nunca trabaje con la motosierra sin suficiente lubricación de la cadena. De lo contrario, la vida útil de la cadena de la sierra y la barra de guía se verá reducida.
- Antes de empezar a trabajar, compruebe el nivel de aceite del depósito y la alimentación de aceite.
- Preste atención a la dirección del viento y evite la exposición innecesaria a la aspersión del aceite.

Compruebe la alimentación de aceite de la siguiente manera:

1. Ponga en marcha la motosierra.
2. Sujete la motosierra en marcha a unos 15 cm (6") por encima de un tronco o el suelo (utilice una base apropiada).
3. Si la lubricación es suficiente, verá un ligero rastro de aceite porque el aceite saldrá despedido de la cadena.

NOTA:

- Tras apagar la motosierra, es normal que gotee aceite residual del sistema de alimentación de aceite, la barra de guía y la cadena durante un rato. Esto no indica un problema. Coloque la sierra sobre una superficie plana.



PUESTA EN MARCHA Y DETENCIÓN DEL MOTOR

⚠ ADVERTENCIA:

- No ponga en marcha la motosierra hasta que haya sido ensamblada completamente e inspeccionada.

⚠ PRECAUCIÓN:

- Apártese 3 m (10 pies) por lo menos del lugar donde haya repostado la motosierra.
- Asegúrese de que el suelo donde pisa sea firme, y ponga la motosierra en el suelo.
- Asegúrese de que la barra de guía y la cadena de la sierra no estén tocando nada.
- No se olvide de activar el freno de la cadena antes de poner en marcha la cadena.

AVISO:

- Nunca tire por completo de la cuerda de arranque.
- Devuelva la empuñadura de arranque suavemente al alojamiento. De lo contrario la empuñadura de arranque que ha soltado puede golpear su cuerpo o bien es posible que no se rebobine correctamente.
- El motor se debe poner al ralentí inmediatamente tras la puesta en marcha. En caso contrario, el embrague se puede dañar, pregunte a un centro de servicio autorizado.

Puesta en marcha del motor

1. Active el freno de la cadena (bloqueo).
2. Sujete la empuñadura frontal con la mano izquierda y presione la motosierra contra el suelo.
3. Sujete el protector de mano trasero con el pie derecho.
4. Ponga en marcha el motor de acuerdo con las circunstancias del motor de la siguiente manera.

Arranque en frío

Cuando no se haya utilizado el motor junto antes de la puesta en marcha, siga estos pasos:

1. Presione la bomba de cebado varias veces hasta que el combustible entre en la bomba de cebado. (En general, púlsela de 7 a 10 veces.)
2. Suba el interruptor combinado (posición del estrangulador). Esto también acciona el bloqueo de la mariposa de gases a media posición.
3. Tire de la empuñadura de arranque lentamente hasta que note la compresión. A continuación, tire de ella enérgicamente. Puede necesitar de dos a cuatro intentos para que el motor se ponga en marcha.
4. En cuanto el motor se ponga en marcha, mueva el interruptor combinado a la posición media (I). A continuación, tire enérgicamente de la empuñadura de arranque de nuevo hasta que el motor se ponga en marcha.
5. Sujete la empuñadura trasera (el bloqueo del disparador de la mariposa de gases se libera al sujetarla), tire del disparador de la mariposa de gases durante un rato y suéltelo.
6. Libere el freno de la cadena.

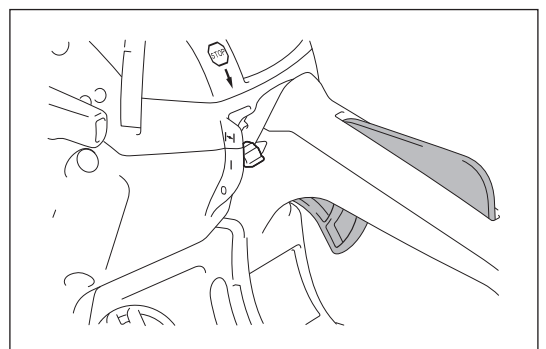
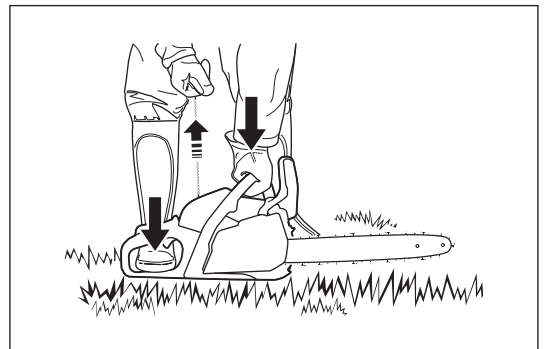
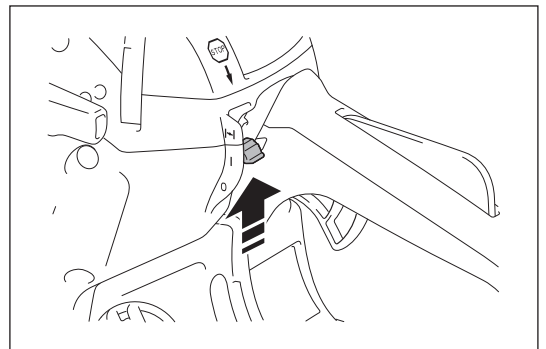
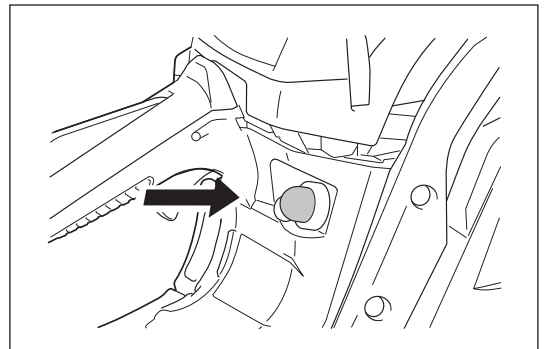
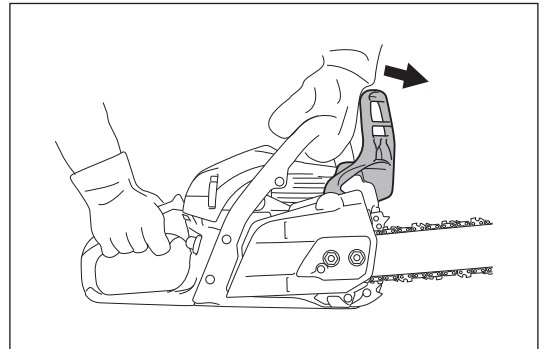
Arranque en caliente

Cuando se haya utilizado el motor junto antes de la puesta en marcha y aún esté caliente, siga estos pasos:

1. Presione la bomba de cebado varias veces hasta que el combustible entre en la bomba de cebado. (En general, púlsela de 7 a 10 veces.)
2. Mueva el interruptor combinado hacia arriba (posición del estrangulador) y después devuélvalo a la posición media (I).
3. Tire de la empuñadura de arranque lentamente hasta que note la compresión. A continuación, tire de ella enérgicamente. Puede necesitar de dos a cuatro intentos para que el motor se ponga en marcha. Si el motor no se pone en marcha, siga los pasos del arranque en frío (consulte la sección "Arranque en frío").

En cuanto el motor empiece a funcionar, sujete la empuñadura trasera (se libera el bloqueo del interruptor de la mariposa de gases al sujetarla), tire del disparador de la mariposa de gases durante un rato y suéltelo.

4. Libere el freno de la cadena.

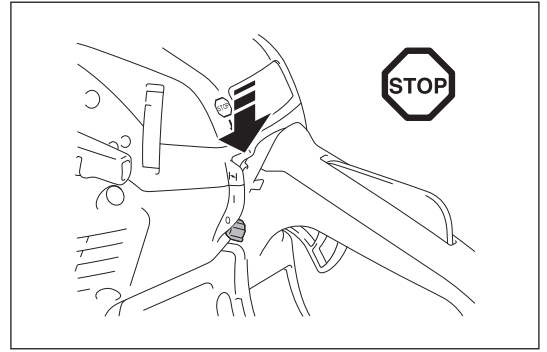


Parada del motor

Suelte el disparador de la mariposa de gases y, a continuación, pulse el interruptor combinado hasta la posición inferior (O).

El interruptor combinado volverá a la posición (I) automáticamente. El motor se detendrá con este interruptor desactivado, pero está listo para ponerse en marcha.

Para cortar la corriente de encendido, pulse el interruptor combinado completamente pasado el punto de resistencia para bloquearlo en la posición (O).



Ajuste de la velocidad de ralentí

⚠ ADVERTENCIA:

- No ajuste la velocidad de ralentí de la motosierra hasta que haya sido ensamblada completamente e inspeccionada.
- Si la cadena de la sierra se sigue moviendo a velocidad de ralentí incluso después del ajuste, deje de utilizar la motosierra inmediatamente y llévela a un centro de servicio autorizado de Dolmar para su reparación.

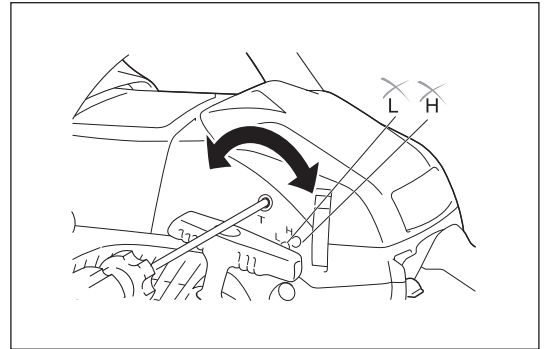
⚠ PRECAUCIÓN:

- No ajuste los tornillos (H) y (L) de la ilustración.

Si la motosierra se mueve al ralentí sin tirar del disparador de la mariposa de gases, resulta necesario ajustar la velocidad de ralentí.

Ajuste la velocidad de ralentí de la siguiente manera:

1. Ponga en marcha el motor y deje que se caliente durante dos o tres minutos, pero no ponga el motor a máxima velocidad.
2. Para reducir la velocidad de ralentí, gire el tornillo de ajuste en el sentido contrario a las agujas del reloj.
3. Para aumentar la velocidad de ralentí, gire el tornillo de ajuste en el sentido de las agujas del reloj.
4. Asegúrese de que la cadena de la sierra a no se mueva a velocidad de ralentí.



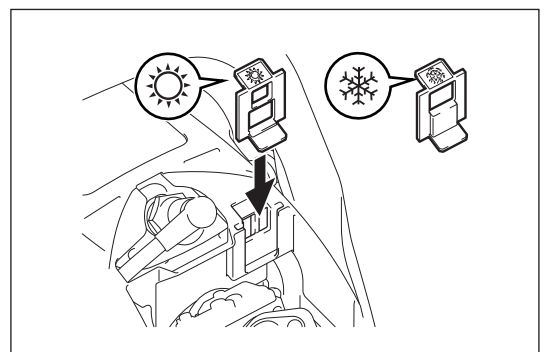
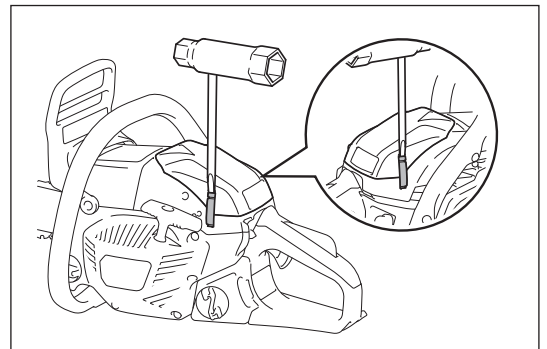
Prevención de la formación de hielo en el carburador

AVISO:

- Cuando la temperatura ambiental sea superior a 5°C, devuelva siempre el deflector al ajuste normal (símbolo de sol). De lo contrario el motor se puede dañar por un sobrecalentamiento.

Cuando la temperatura ambiental sea baja (0°C – 5°C) y la humedad sea alta, el vapor de agua se puede congelar dentro del carburador y el motor puede funcionar de forma inestable (formación de hielo en el carburador). Cambie el ajuste del deflector de la siguiente manera si es necesario.

1. Abra la cubierta del filtro de aire.
2. Extraiga el deflector.
3. Ajuste el deflector en la posición que evita la formación de hielo (símbolo de nieve).
4. Vuelva a colocar la cubierta del filtro de aire.



MANTENIMIENTO

⚠ ADVERTENCIA:

- Asegúrese de que la motosierra esté apagada y retire el capuchón de la bujía antes de realizar una operación de mantenimiento o inspección.
- Espere hasta que el motor se enfríe antes de realizar cualquier trabajo de mantenimiento.
- Utilice siempre guantes de protección.
- Ponga en marcha la motosierra únicamente después de montarla completamente e inspeccionarla.
- Manténgase alejado de llamas abiertas y no fume.

⚠ PRECAUCIÓN:

- Para mantener la SEGURIDAD y la FIABILIDAD, cualquier trabajo de reparación, mantenimiento o ajuste que no esté incluido en este manual lo deben realizar centros de servicio técnico autorizados por Dolmar. Utilice siempre recambios de Dolmar.

Afilado de la cadena de sierra

La cadena se debe afilar cuando:

- Los fragmentos de maderas resultantes del corte parezcan serrín.
- La cadena penetre en la madera solo ejerciendo gran presión.
- El borde de corte esté visiblemente dañado.
- La motosierra se desvíe a la izquierda o la derecha durante los cortes. Esto se debe a un afilado desigual de la cadena.

AVISO:

- Afile frecuentemente pero sin quitar demasiado metal. Normalmente, dos o tres pasadas de la lima son suficientes.
- Haga que la cadena se vuelva a afilar en un centro de servicio cuando ya la haya afilado usted varias veces.

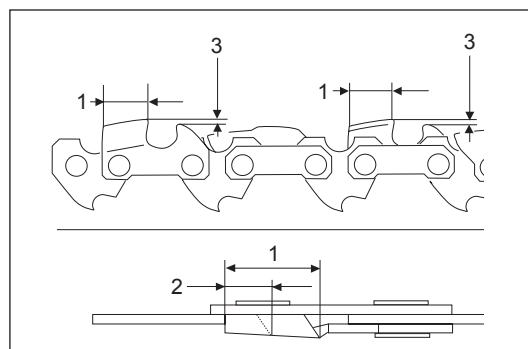
Afilado correcto

⚠ PRECAUCIÓN:

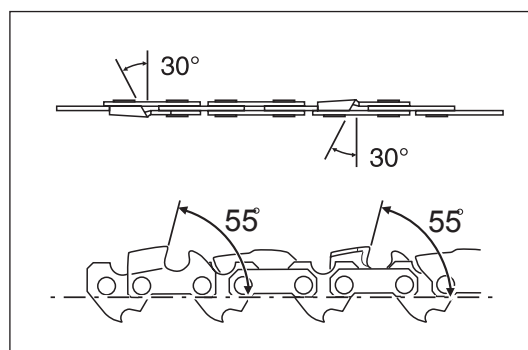
- Utilice solo cadenas y barras de guía diseñadas para esta motosierra.
- Una profundidad excesiva (3) aumentará el riesgo de contragolpes.

Criterios de afilado (para la cadena de la sierra 492 (91PX))

- Mantenga todas las partes de corte (1) de la cadena de la sierra de la misma longitud. Las partes de corte con diferentes longitudes tienen como resultado un mal funcionamiento de la cadena y pueden provocar grietas en la misma.
- La longitud de corte mínima (2): 4 mm. No afile la cadena cuando la longitud de la parte de corte sea inferior a 4 mm. En ese caso, sustituya la cadena de la sierra.
- La profundidad del corte (3) está determinada por la diferencia de altura entre el calibre de profundidad (punta redonda) y el borde de corte.
- Los mejores resultados se obtienen con 0,64 mm (0,025") de profundidad.

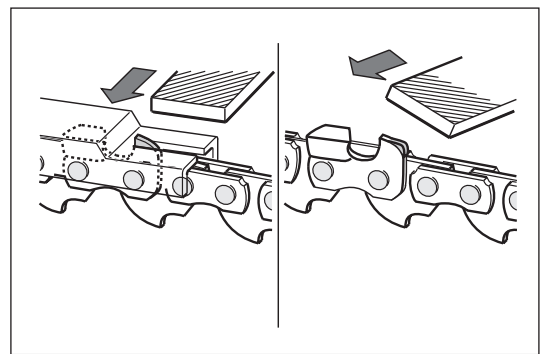
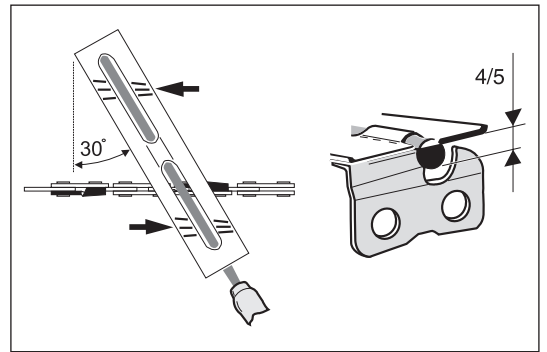
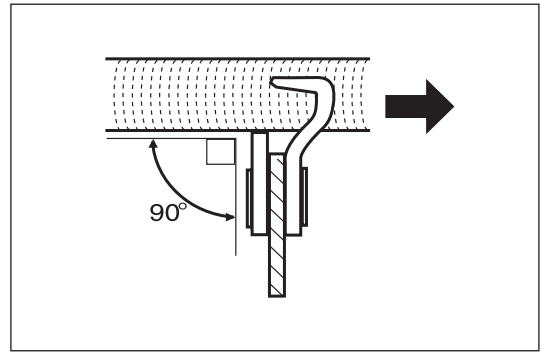


- Mantenga siempre el mismo ángulo de afilado de 30° para todas las partes de corte.
- Utilice una lima redonda adecuada para que se mantenga el ángulo de afilado correcto de 55° contra los dientes.
- Afile los elementos de corte con el ángulo adecuado, de lo contrario se puede provocar un funcionamiento irregular y anómalo de la cadena, lo que puede tener como resultado un aumento del desgaste y una rotura de la cadena de la sierra.



Limas y trabajo con limas

- Utilice una lima redonda especial para cadenas (accesorio opcional) para el afilado. Las limas redondas normales no son adecuadas.
- Utilice una lima redonda de 4,0 mm de diámetro.
- La lima sólo debe aplicarse a la parte de corte en el golpe de avance. Retire la lima de la parte de corte en el golpe de retroceso.
- Afile primero el elemento de corte de menor longitud. La longitud del elemento de corte más corto será el estándar para todos los otros elementos de corte de la cadena de la sierra.
- Guíe la lima como se muestra en la figura.
- Un soporte para la lima (accesorio opcional) facilita el guiado de la lima. El soporte de la guía tiene marcas para el ángulo de afilado correcto de 30° . Cuando utilice el soporte para la lima, alinee las marcas de forma paralela a la cadena de la sierra y limite la profundidad de afilado a $4/5$ del diámetro de la lima.
- Tras afilar la cadena, compruebe la profundidad de corte mediante la herramienta de calibre de la cadena (accesorio opcional).
- Retire el exceso pequeño con una lima plana especial (accesorio opcional).
- Remate la parte delantera del calibre de profundidad.



Limpeza del interior de la cubierta de la cadena

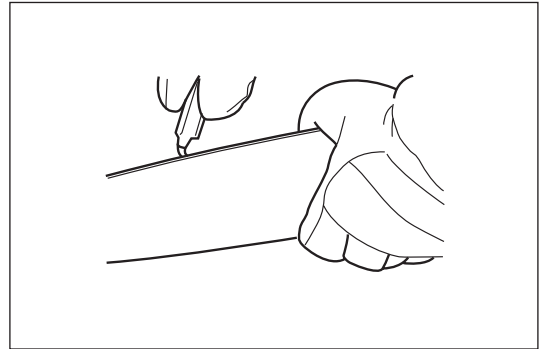
Extraiga la cubierta de la cadena, la cadena de la sierra y la barra de guía.
Limpe el interior de la cubierta de la cadena con un cepillo.

AVISO:

Asegúrese de que no haya residuos u objetos extraños en la ranura de la guía de aceite, el pasador de tensión de la cadena y la banda de freno.

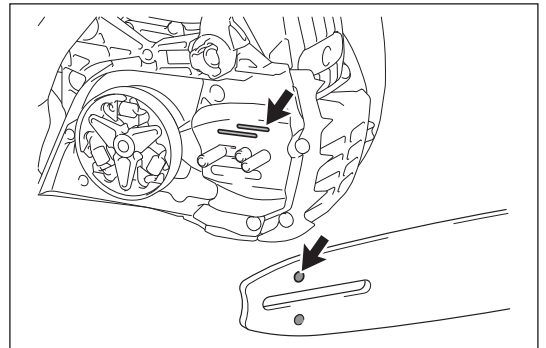
Limpeza de la barra de guía

Inspeccione regularmente las superficies de funcionamiento de la barra para ver si están dañadas. Límpiela utilizando una herramienta adecuada.



Limpeza de la guía de aceite

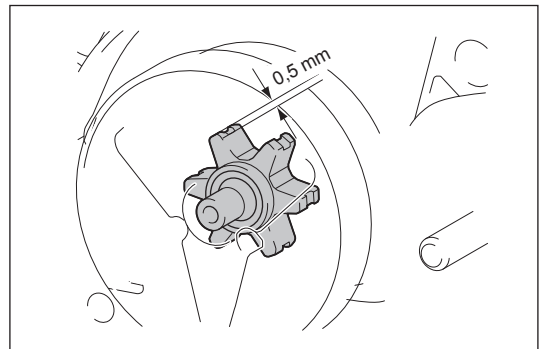
Limpe regularmente la ranura de la guía de aceite y el orificio de alimentación de aceite en la barra.



Comprobación de la rueda dentada

⚠ PRECAUCIÓN:

Si la rueda dentada está desgastada, podría dañar la nueva cadena de sierra. No utilice una cadena nueva en una rueda dentada de la cadena gastada. Compruebe la rueda dentada antes de instalar una nueva cadena de la sierra. Solicite a un centro de servicio autorizado de Dolmar que realice la reparación si hay cualquier defecto o si la rueda dentada está gastada más de 0,5 mm.



Limpeza del filtro de aire

⚠ PRECAUCIÓN:

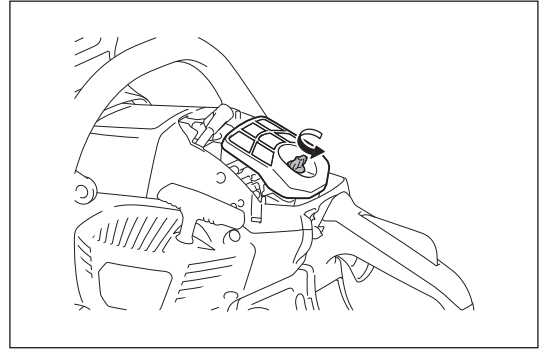
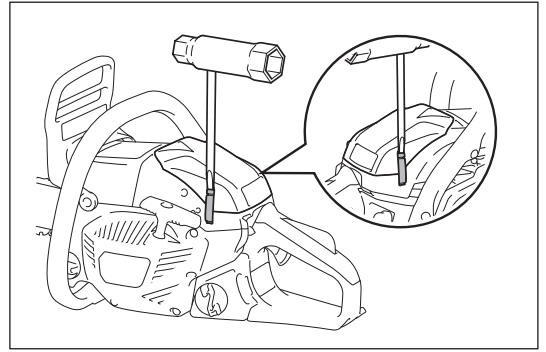
- Utilice siempre protección ocular.

Para limpiar el filtro de aire, siga estos pasos:

1. Suba el interruptor combinado (posición del estrangulador) para evitar que caiga suciedad o materiales extraños en el carburador.
2. Abra los dos ganchos con un destornillador plano y retire la cubierta del filtro de aire.
3. Afloje la tuerca y, a continuación, extraiga el filtro de aire.

NOTA:

- Durante la limpieza, cubra la abertura con un trapo limpio para evitar que caiga en el carburador suciedad o materiales extraños.
 - Sustituya el filtro de aire inmediatamente si está dañado.
4. Golpéelo suavemente o límpielo con un cepillo o un compresor de aire para eliminar la suciedad.
 5. Si el filtro de aire está muy sucio, sustitúyalo con uno nuevo.
 6. Vuelva a colocar el filtro de aire y la cubierta del filtro siguiendo los pasos en orden inverso.



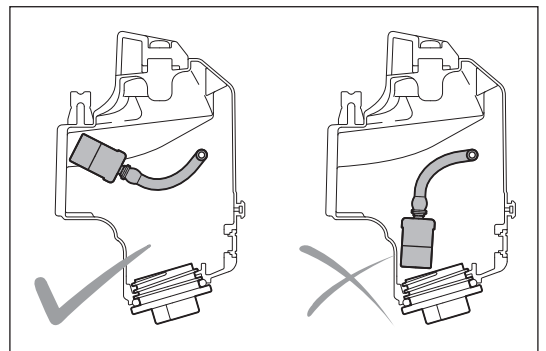
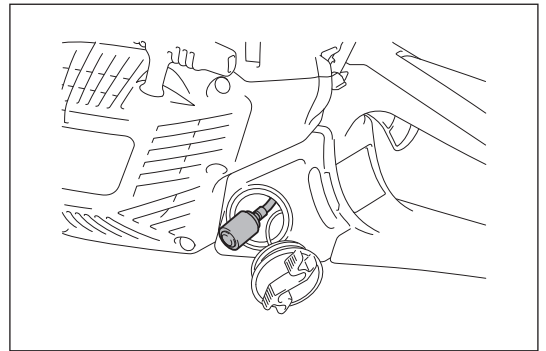
Limpeza del filtro de combustible

El filtro de combustible del cabezal de succión se utiliza para filtrar el combustible necesario para el carburador. Realice una inspección visual periódicamente.

1. Abra la tapa del depósito y utilice un gancho de alambre para extraer el cabezal de succión a través de la abertura del depósito.
2. Si el filtro está endurecido u obstruido, sustitúyalo.
3. Tras la comprobación, la limpieza o el reemplazo, fije el filtro de combustible al conducto de combustible con la abrazadera del manguito. Empuje el filtro de combustible completamente hasta la parte inferior del depósito de combustible.

NOTA:

- Se recomienda sustituir el filtro de combustible como mínimo una vez cada tres meses para garantizar un suministro de combustible al carburador suficiente. De lo contrario, un suministro de combustible insuficiente puede provocar defectos en el motor.

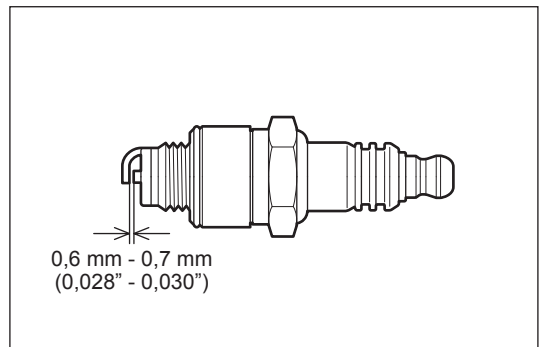


Comprobación de la bujía

⚠ PRECAUCIÓN:

- Nunca toque el conector de la bujía mientras el motor está funcionando (peligro de recibir una descarga eléctrica de alta tensión).

La holgura entre los dos electrodos de la bujía debe ser de 0,6 mm - 0,7 mm (0,028" - 0,030"). Si la holgura es demasiado grande o pequeña, ajústela. Si la bujía está obstruida o contaminada, límpiela minuciosamente o reemplácela.



Limpieza del alojamiento del cilindro

⚠ PRECAUCIÓN:

- Utilice siempre protección ocular.

Tras un período de uso prolongado se puede acumular polvo en el alojamiento del cilindro. Puede causar el sobrecalentamiento del motor. Limpie el alojamiento del cilindro periódicamente.

Realice la limpieza de la siguiente manera:

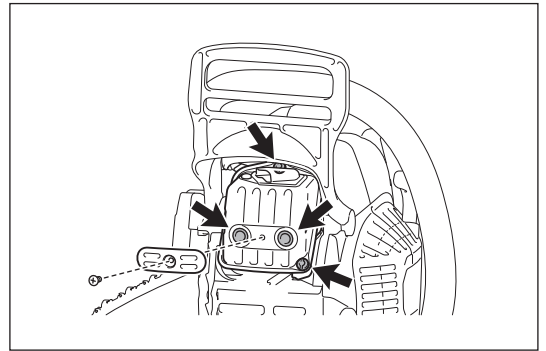
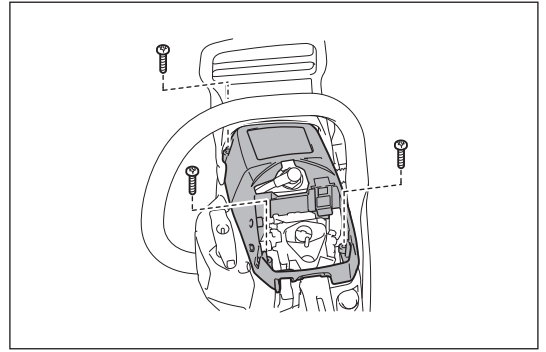
1. Abra los dos ganchos y retire la cubierta del filtro de aire.
2. Retire el filtro de aire.

NOTA:

- Durante la limpieza, cubra la abertura con un trapo limpio para evitar que caiga en el carburador suciedad o materiales extraños.
3. Retire los tres tornillos y retire la cubierta del cilindro. Resulta más sencillo retirar la cubierta del cilindro cuando el protector de mano delantero está en la posición hacia delante.
 4. Limpie el alojamiento del cilindro y las aletas del cilindro. Utilice un cepillo o un compresor de aire si es necesario.
 5. Vuelva a colocar la cubierta del cilindro, el filtro de aire y la cubierta del filtro tras la limpieza.

Comprobación de los tornillos del silenciador

Retire la cubierta del cilindro y la cubierta antipolvo y compruebe el apriete de los cuatro tornillos del silenciador. Apriételos si están flojos.



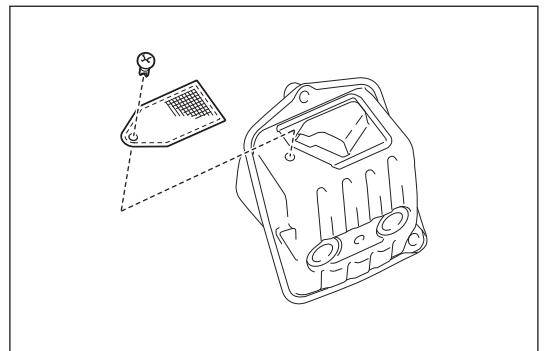
Comprobación del amortiguador de chispas

⚠ PRECAUCIÓN:

• No ponga en marcha el motor si el amortiguador de chispas está dañado o falta. El amortiguador de chispas evita que la carbonilla caliente salga despedida del tubo de escape. Compruebe el amortiguador de chispas periódicamente de la siguiente manera:

1. Extraiga la cubierta del cilindro.
2. Extraiga los tornillos que fijan el amortiguador de chispas. Resulta más sencillo retirar el tornillo empujando el protector de mano delantero hacia delante. A continuación, deslice el amortiguador de chispas.

Limpie el amortiguador de chispas, si es necesario, con un cepillo de alambre. Si el amortiguador de chispas está dañado, sustitúyalo.



Limpieza de las partes

Mantenga siempre limpio el motor con un paño de trapo.

Inspección de pernos, tuercas y tornillos

- Compruebe los pernos, las tuercas, etc. Apriételos si es necesario.
- Compruebe si la tapa de combustible y la tapa de aceite se han apretado firmemente. Compruebe si hay fugas de combustible.
- Reemplace las piezas dañadas con piezas nuevas para garantizar un uso seguro.

Almacenamiento de la herramienta

⚠ PRECAUCIÓN:

- El motor está caliente justo después de pararlo. Cuando drene el combustible, deje suficiente tiempo para que el motor se enfríe tras detenerlo. De lo contrario puede sufrir quemaduras en la piel o se puede producir un incendio.
- Cuando la herramienta no se vaya a usar durante mucho tiempo, drene todo el combustible del depósito de combustible y el carburador y manténgalo en un lugar seco y limpio.

El aceite para cadenas de sierra biodegradable solo puede almacenarse durante un período limitado. Dos años después de su fabricación, los aceites biológicos comienzan a adquirir una calidad adhesiva y provocan daños en la bomba de aceite y en los componentes del sistema de lubricación.

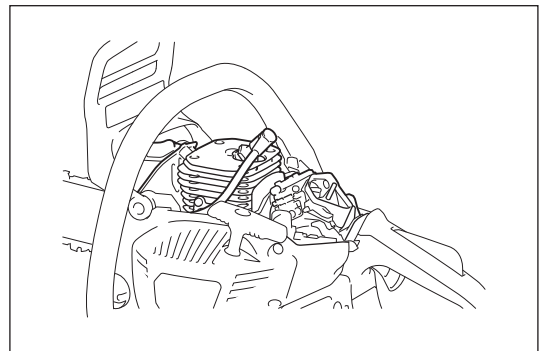
- Cuando no vaya a utilizar la motosierra durante un período superior a este plazo, vacíe el depósito de aceite y llénelo con una pequeña cantidad de aceite para motor (SAE 30).
- Ponga en marcha la motosierra brevemente para extraer los residuos del aceite biológico del depósito, el sistema de lubricación y el mecanismo de la sierra.

Almacene la motosierra sobre una superficie adecuada.

Antes de volver a utilizar la motosierra, llene el depósito con aceite para cadenas de sierra biodegradable nuevo.

NOTA:

- Tras dejar de utilizar la motosierra, se producirán pequeñas fugas de aceite de cadena durante algún tiempo. Esto es normal y no indica ningún fallo.



INTERVALO DE MANTENIMIENTO

Para una vida útil prolongada de la herramienta y para garantizar el funcionamiento completo de las características de seguridad, realice el trabajo de mantenimiento periódicamente.

Elemento	Tiempo de funcionamiento	Antes del uso	Cada día	Cada semana	Cada tres meses	Anualmente	Antes del almacenamiento
Motosierra	Inspección.	<input type="radio"/>					
	Limpieza.		<input type="radio"/>				
	Consulte con un centro de servicio autorizado.					<input type="radio"/>	
Cadena de la sierra	Inspección. / Afilado si es necesario.	<input type="radio"/>					
Barra de guía	Inspección.	<input type="radio"/>					
Freno de la cadena	Compruebe el funcionamiento.	<input type="radio"/>					
	Haga que se inspeccione periódicamente en un centro de servicio autorizado.				<input type="radio"/>		
Cuerda de arranque	Inspección.	<input type="radio"/>					
Lubricación de la cadena	Compruebe la tasa de alimentación de aceite.	<input type="radio"/>					
Interruptor combinado	Inspección.	<input type="radio"/>					
Bloqueo del disparador de la mariposa de gases	Inspección.	<input type="radio"/>					
Disparador de la mariposa de gases	Inspección.	<input type="radio"/>					
Tapa del depósito de combustible	Compruebe el apriete.	<input type="radio"/>					
Tapa del depósito de aceite	Compruebe el apriete.	<input type="radio"/>					
Filtro de aire	Limpieza.		<input type="radio"/>				
Velocidad de ralentí	La cadena de la sierra no se mueve a velocidad de ralentí.		<input type="radio"/>				
Alojamiento del cilindro	Limpieza.			<input type="radio"/>			
Bujía	Inspección. / Limpieza. / Sustituya si es necesario.				<input type="radio"/>		
Amortiguador de chispas	Inspección. / Limpieza. / Sustituya si es necesario.				<input type="radio"/>		
Silenciador	Compruebe el apriete de los tornillos.			<input type="radio"/>			
Receptor de cadena	Inspección.			<input type="radio"/>			
Tornillos y tuercas	Inspección.			<input type="radio"/>			
Filtro de combustible	Inspección. / Sustituya si es necesario.				<input type="radio"/>		
Depósito de combustible	Vacío.						<input type="radio"/>
Carburador	Dejar que se vacíe.						<input type="radio"/>

* Antes de vaciar el aceite, busque una forma adecuada de desechar el aceite usado. No lo vierta en desagües, en el suelo de jardines o en cursos de agua abiertos. Las normativas medioambientales o locales le proporcionarán instrucciones más detalladas para un desecho correcto.

SOLUCIÓN DE PROBLEMAS

Antes de realizar una solicitud de reparación, compruebe usted mismo el problema. Para reparaciones, póngase en contacto con centros de servicio autorizados.

Estado de la avería	Posible causa	Solución
La cadena no funciona.	El freno de la cadena está activado.	Libere el freno de la cadena.
El motor no se enciende.	Avería de la bujía.	Compruebe la bujía.
	El depósito de combustible está vacío.	Llene el depósito de combustible.
	Problema con el suministro de combustible.	Compruebe si el filtro de combustible está obstruido.
	Avería de la herramienta.	Solicite a su centro de servicio autorizado local una reparación.
Rendimiento insuficiente.	El filtro de aire está sucio.	Limpie el filtro de aire. Sustitúyalo si es necesario.
	El alojamiento del cilindro está sucio.	Limpie el alojamiento del cilindro.
	La temperatura ambiental es muy baja.	Cambie el ajuste del deflector del carburador. Consulte la sección "Prevención de la formación de hielo en el carburador".
No hay aceite en la cadena de la sierra.	El depósito de aceite está vacío.	Llene el depósito de aceite.
	La ranura de la guía de aceite está sucia.	Limpie la ranura.
	La distribución de aceite no se ha ajustado correctamente.	Ajusta la cantidad de distribución.
	Avería de la bomba de aceite.	Solicite a su centro de servicio autorizado local una reparación.
La cadena no se detiene aunque se active el freno de la cadena.	La banda de freno está gastada.	Deje de usar la herramienta inmediatamente y solicite a su centro de servicio autorizado local una reparación.
La herramienta vibra de forma anómala.	Afloje la barra de guía o la cadena de la sierra.	Ajuste la tensión de la barra de guía y la cadena de la sierra.
	Avería de la herramienta.	Deje de usar la herramienta inmediatamente y solicite a su centro de servicio autorizado local una reparación.
La cadena no se detiene cuando el motor gira al ralentí.	La velocidad de ralentí es demasiado alta.	Corrija la velocidad de ralentí.
	Defecto del embrague.	Deje de usar la herramienta inmediatamente y solicite a su centro de servicio autorizado local una reparación.

Índice

Página

Símbolos..... 152
 Precauções de segurança..... 153
 Dados técnicos..... 159
 Designação de peças..... 160
 Função de segurança da motosserra..... 161
 Montagem..... 163
 Antes da utilização..... 166
 Ligar e desligar o motor..... 168
 Manutenção..... 170
 Intervalo de manutenção..... 175
 Resolução de problemas..... 176

SÍMBOLOS

	Leia o manual de instruções e siga os avisos e as precauções de segurança!		Cuidado, recuo!
	Tenha um cuidado e atenção especiais!		
	Proibido!		Travão da corrente
	Use um capacete e protecção para os olhos e ouvidos!		Segure a serra com ambas as mãos enquanto trabalha! A utilização com uma só mão é extremamente perigosa!
	Use luvas de protecção!		Mistura de combustível e óleo
	Proibido fumar!		Enchimento de óleo de corrente/bomba de óleo
	Proibido chamas livres!		Parafuso de regulação de óleo da corrente da serra
	Desligar motor!		Bomba de ferragem
	Ligar motor		Sentido da corrente
	Interruptor de combinação, LIGAR/ PARAR afogador		Primeiros-socorros

PRECAUÇÕES DE SEGURANÇA

Utilização prevista

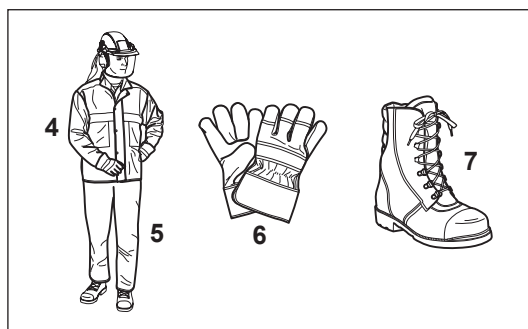
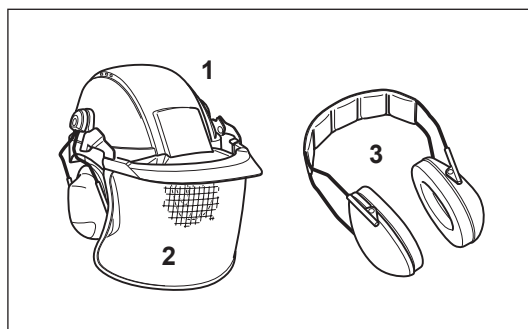
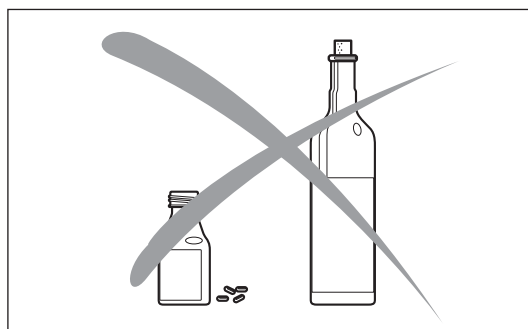
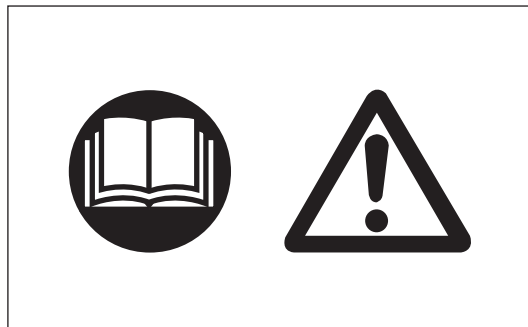
Esta motosserra destina-se apenas para serrar madeira no exterior.

Precauções gerais

- Para garantir um funcionamento correcto, o operador deve ler este manual de instruções para familiarizar-se com as características da motosserra. Utilizar este equipamento sem entender como operá-lo correctamente pode resultar em ferimentos graves em si ou em outros.
- Só é aconselhável emprestar a motosserra a pessoas experientes na utilização de motosserras. Empréstimo sempre este manual de instruções ao mesmo tempo.
- Se é a primeira vez que utiliza uma motosserra com motor, consulte o seu revendedor para instruções básicas para se familiarizar ou participe num curso reconhecido de instrução.
- Crianças e pessoas novas com menos de 18 anos não devem operar a motosserra. As pessoas com mais de 16 anos podem, no entanto, utilizar a motosserra apenas durante a formação e sob a supervisão de um formador qualificado.
- Opere a motosserra apenas se estiver em boa condição física. Se estiver cansado, a sua atenção será reduzida. Tenha especial atenção no fim de um dia de trabalho. Efectue todos os trabalhos com calma e cuidado. O utilizador deve aceitar a responsabilidade pelos que estão em sua volta.
- Mantenha-se alerta, esteja atento ao que está a fazer e utilize o senso comum ao utilizar uma motosserra. Um momento de desatenção enquanto utilizar ferramentas eléctricas poderá resultar em ferimentos pessoais graves.
- Nunca utilize a motosserra após ter consumido álcool, drogas ou medicamentos.
- O silenciador pode conter químicos carcinogénicos no interior. Evite o contacto com os mesmos caso o silenciador seja danificado.
- O sistema de ignição do motor emite ondas electromagnéticas durante o funcionamento. Pode interferir com equipamentos médicos em certas circunstâncias e pode causar ferimentos graves a pessoas com pacemaker. É aconselhável que as pessoas com pacemaker consultem os seus médicos e o fabricante do pacemaker antes de utilizar a motosserra.
- Não utilize uma motosserra que pareça estar modificada.
- Devem estar disponíveis um extintor e uma pá nas proximidades ao trabalhar em vegetação facilmente inflamável ou quando já não chove há bastante tempo (perigo de incêndio).
- Os regulamentos nacionais podem proibir a utilização da máquina. Cumpra os regulamentos do seu país relativamente à utilização da motosserra.

Equipamento de protecção pessoal

- Para evitar ferimentos na cabeça, nos olhos, nas mãos e nos pés, assim como danos de audição, o equipamento de protecção seguinte deve ser usado durante a utilização da motosserra:
- A roupa deve ser adequada, isto é, deve ser justa, mas não de maneira a impedir os movimentos. Não usar jóias ou vestuário que possam interferir no trabalho. Se tiver o cabelo longo, use sempre uma rede de cabelo.
- É necessário usar um capacete de protecção sempre que utilizar a motosserra. O capacete de protecção (1) deve ser regularmente verificado quanto a avarias e deve ser substituído, o mais tardar, após 5 anos. Utilize apenas capacetes de protecção aprovados.
- O protector do rosto (2) do capacete de protecção (ou os óculos de protecção) protege contra a serradura e as aparas. Durante o funcionamento da motosserra, use sempre óculos de protecção ou um protector de rosto para evitar ferimentos nos olhos.
- Use equipamento de protecção contra ruído adequado (protector auditivo (3), tampões para os ouvidos, etc.). A exposição longa a ruído pode causar problemas auditivos permanentes.
- O casaco de segurança (4) é fornecido com alças de ombro coloridas e especiais e é confortável e fácil de tratar.
- A calça de protecção ou fato de macaco (5) possui 22 camadas de tecido de nylon e protege contra os cortes. Recomendamos a sua utilização.
- Luvas de protecção (6) de couro forte são parte do equipamento prescrito por norma e devem ser utilizadas durante todos os trabalhos com a motosserra.
- Durante o funcionamento da motosserra, devem ser sempre usados sapatos ou botas de segurança (7) com sola aderente, cobertura de aço e uma protecção da perna. Os calçados de segurança com revestimento de protecção contra cortes evitam ferimentos deste tipo e garantem firmeza dos pés.
- Use uma máscara de protecção quando necessário. A longa exposição a fumos de escape, névoa de óleo de corrente e serradura pode prejudicar a sua saúde.

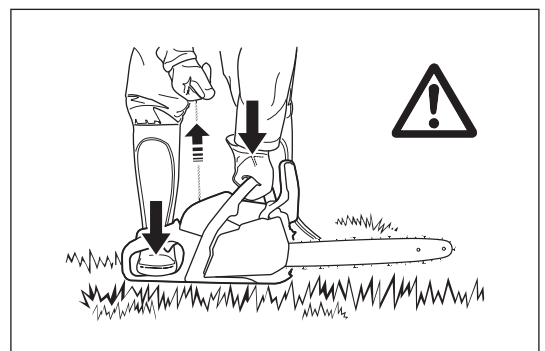
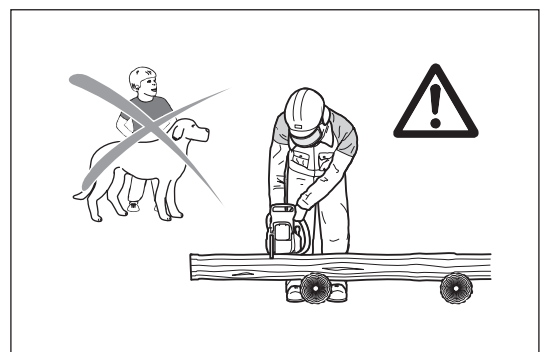
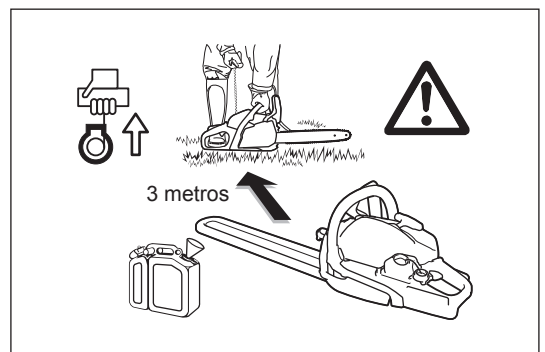


Combustíveis/Reabastecimento de combustível

- Desligue o motor antes de abastecer a motosserra.
- Não fume nem trabalhe perto de chamas livres.
- Deixe o motor arrefecer antes de reabastecer.
- O combustível pode conter substâncias semelhantes a solventes. Os olhos e a pele não devem entrar em contacto com produtos de óleo mineral. Use sempre luvas protectoras ao reabastecer. Limpe e troque de roupa de protecção regularmente. Não inale os vapores do combustível. A inalação de vapores de combustível pode ser nociva para a saúde.
- Não derrame combustível ou óleo de corrente. Quando tiver derramado combustível ou óleo, limpe imediatamente a motosserra. O combustível não deve entrar em contacto com as roupas. Se as roupas entrarem em contacto com combustível, mude-as imediatamente.
- Certifique-se de que o combustível ou óleo de corrente não se infiltra no solo (protecção ambiental). Use uma base adequada.
- Não pode efectuar o reabastecimento em divisões fechadas. Os vapores de combustível irão acumular perto do chão (risco de explosões).
- Certifique-se de que aperta bem os tampões dos depósitos de combustível e óleo.
- Mude de local antes de ligar o motor (no mínimo, 3 m do local de reabastecimento).
- O combustível não pode ser guardado durante um período ilimitado de tempo. Compre apenas o que irá ser consumido num futuro próximo.
- Utilize apenas recipientes aprovados e assinalados para o transporte e armazenamento de combustível e óleo de corrente. Certifique-se de que as crianças não têm acesso ao combustível ou óleo de corrente.

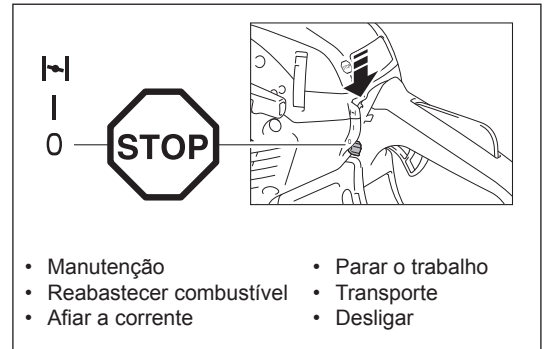
Colocar em funcionamento

- **Não trabalhe sozinho. Em caso de emergência tem que estar outra pessoa por perto** (à distância de chamamento).
- Certifique-se de que não há crianças ou outras pessoas na área de trabalho. Preste igualmente atenção a quaisquer animais na área de trabalho.
- **Antes de iniciar o trabalho, verificar se a motosserra funciona perfeitamente e se encontra no estado de segurança operacional prescrito. Nunca utilize uma motosserra com defeitos.** Verifique especialmente o funcionamento do travão de corrente, a instalação correcta da barra de guia, a afiação e aperto correctos da corrente, a montagem firme da protecção da corrente, o movimento fácil do gatilho do acelerador e o funcionamento do bloqueio do gatilho do acelerador, a limpeza e a secura das pegas e o funcionamento do interruptor de combinação.
- Quando deixa cair a motosserra ou esta sofre outros impactos, pare imediatamente de utilizar a ferramenta e efectue a inspecção para identificar danos ou defeitos significativos.
- Coloque apenas a motosserra em funcionamento se estiver completamente montada. Nunca utilize a motosserra quando não está completamente montada.
- Verifique o equipamento de protecção pessoal.
- Ligue a motosserra apenas conforme descrito neste manual de instruções. Não são permitidos outros métodos de arranque.
- Antes de ligar a motosserra, certifique-se de que está numa posição firme.
- Ao ligar a motosserra, esta tem de estar bem apoiada e segurada com firmeza. A barra de guia e a corrente não devem estar em contacto com qualquer objecto.
- Certifique-se de que o óleo de corrente chega com suficiência à corrente.



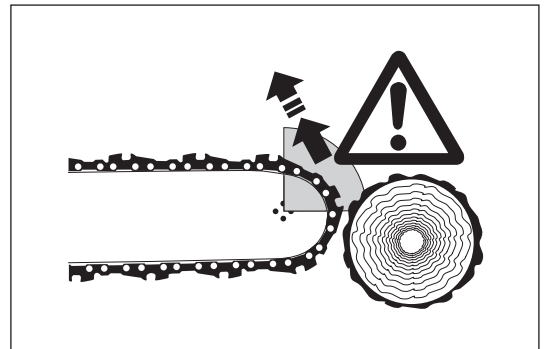
Funcionamento

- **Ao trabalhar com a motosserra, segure-a sempre com ambas as mãos.** Segure na pega traseira com a mão direita e na pega dianteira com a mão esquerda. Segure bem nas pegas com os polegares virados para os seus dados.
- **⚠ PRECAUÇÃO: Ao libertar o gatilho do acelerador, a corrente continuará a funcionar durante um curto período de tempo** (efeito de rotação por inércia).
- Certifique-se continuamente de que tem uma firmeza dos pés segura.
- Segure a motosserra de forma a não respirar os gases de escape. Não trabalhe em divisões fechadas (perigo de envenenamento).
- **Desligue a motosserra imediatamente se observar alterações no comportamento de funcionamento.**
- **O motor tem de ser desligado antes de verificar a tensão da corrente, apertar a corrente, substituí-la ou eliminar avarias.**
- Quando o dispositivo de corte for atingido por pedras, pregos ou outros objectos duros, desligue imediatamente o motor e verifique o dispositivo de corte.
- Ao interromper o trabalho ou ao abandonar o local de trabalho, desligue a motosserra e pouse-a de modo a que ninguém fique em perigo.
- **⚠ PRECAUÇÃO: Não coloque a motosserra sobreaquecida em relva seca ou sobre objectos inflamáveis. O silenciador fica muito quente (perigo de incêndio).**
- **PRECAUÇÃO:** As gotas de óleo da corrente ou barra de guia após ter parado a corrente da serra irão poluir o solo. Use sempre uma base adequada.



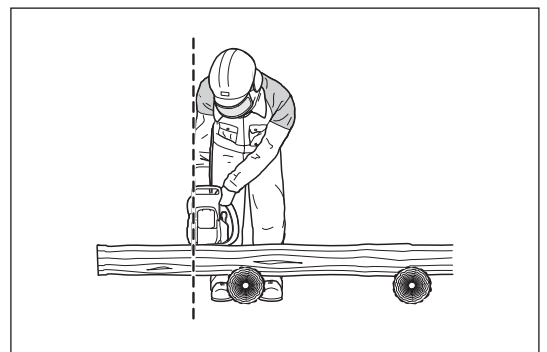
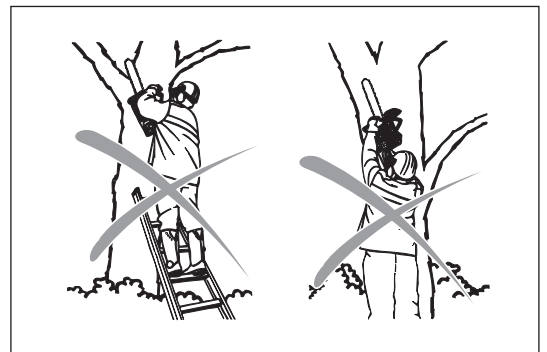
Recuo

- Ao utilizar a motosserra podem ocorrer recuos perigosos.
 - O recuo ocorre quando a parte superior da extremidade da barra de guia toca acidentalmente em madeira ou objectos duros.
 - Isto faz com que a serra seja projectada para trás na direcção do utilizador, com força e descontrolada. **Risco de ferimentos!**
- De modo a evitar recuo, siga estas regras:**
- Apenas as pessoas-especialmente formadas devem efectuar fresagens, isto é, furar madeira com a ponta da serra!
 - Nunca aplique a extremidade da barra ao começar a fazer um corte.
 - Preste sempre atenção à extremidade da barra de guia. Tenha cuidado ao continuar um corte já iniciado.
 - Ao iniciar o corte, a corrente tem de estar a funcionar.
 - Certifique-se de que a corrente está sempre afiada correctamente. Preste especial atenção à altura do limitador de profundidade.
 - Nunca corte vários ramos ao mesmo tempo. Ao cortar um ramo, certifique-se de que não toca noutro ramo.
 - Ao efectuar cortes ao comprimento num tronco, tenha em atenção os troncos junto a ele.



Comportamento/método de funcionamento

- Utilize apenas a motosserra durante períodos de boa visão e luminosidade. Atenção especial no caso de áreas escorregadias ou húmidas e neve e gelo (perigo de derrapagem). O risco de derrapagem é extremamente elevado ao trabalhar em madeira recentemente descascada (casca).
- Nunca trabalhe em superfícies instáveis. Certifique-se de que não existem obstáculos na área de trabalho, risco de tropeçar. Certifique-se de que tem sempre uma firmeza dos pés segura.
- Nunca serre acima da altura dos ombros.
- Nunca serre quando se encontrar numa escada.
- Nunca trepe árvores para executar cortes com a motosserra.
- Não trabalhe inclinando-se demasiado para a frente.
- Conduza a motosserra de forma a que nenhuma parte do seu corpo se encontre no campo longitudinal do movimento rotativo da serra.
- Utilize a motosserra para serrar apenas madeira.
- Evite tocar no chão com a motosserra enquanto ainda está a funcionar.
- Nunca utilize a motosserra para levantar ou remover pedaços de madeira ou outros objectos.
- Retire os objectos estranhos como areia, pedras e pregos encontrados na área de trabalho. Os objectos estranhos podem danificar o dispositivo de corte e podem causar recuos perigosos.
- Ao serrar madeira pré-cortada, utilize um suporte seguro (cavelete). Não fixe a peça de trabalho com o pé e não permita que ninguém a segure ou fixe.
- Fixe as peças redondas contra a rotação.

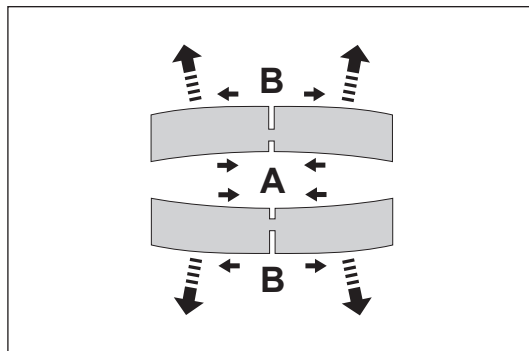
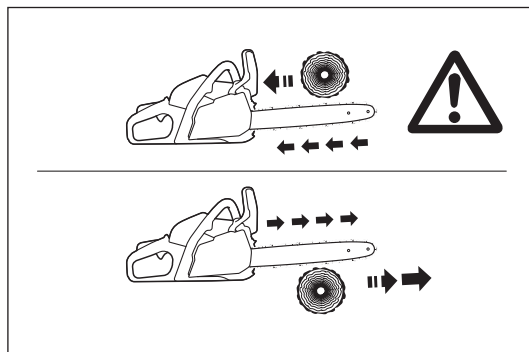
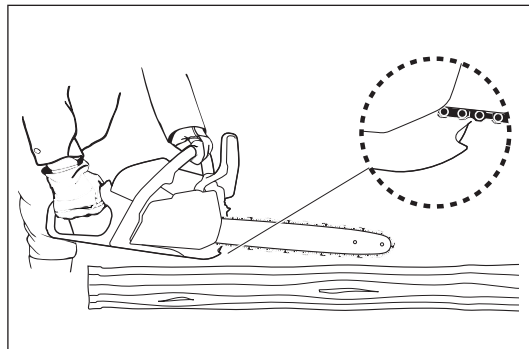
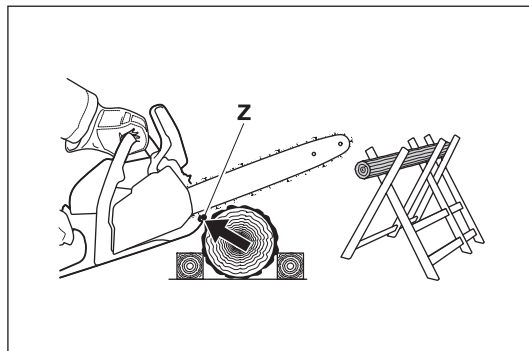


- Para abater árvores ou efectuar cortes ao comprimento, o acessório de corte (Z) tem de ser aplicado na madeira a cortar.
- Antes de realizar um corte ao comprimento, aplique o acessório de corte com firmeza, só depois a madeira pode ser cortada com a corrente em funcionamento. Para isto a motosserra é erguida na pega traseira e conduzida com a pega dianteira. O acessório de corte serve como um centro de rotação. Continue pressionando ligeiramente a pega dianteira e puxando simultaneamente para trás a motosserra. Aplique o acessório de corte um pouco mais fundo e levante novamente a pega traseira.
- Quando a madeira tiver de ser furada para corte ou cortes longitudinais é altamente recomendado que isto seja efectuado apenas por pessoas qualificadas (alto risco de recuos).
- Efectue cortes - longitudinais - ao comprimento com o ângulo mais baixo possível. Tenha muito cuidado ao efectuar este tipo de corte, uma vez que o acessório de corte pode não estar fixo.
- A serra tem que estar em funcionamento sempre que remover a motosserra da madeira.
- Ao efectuar vários cortes, o gatilho do acelerador tem de ser solto entre cortes.
- Tenha muito cuidado ao cortar madeira em lascas. Os pedaços de madeira serrados podem ser arrastados (perigo de ferimentos).
- Ao cortar com a extremidade superior da barra de guia, a motosserra pode ser empurrada na direcção do utilizador se a corrente ficar presa. Por isso, utilize a extremidade inferior da barra sempre que possível. A motosserra será depois empurrada na direcção contrária ao utilizador.
- Se a madeira estiver sob tensão, corte primeiro o lado da pressão (A). De seguida, o corte ao comprimento pode ser efectuado no lado de tensão (B). Assim, o aperto da barra de guia pode ser evitado.

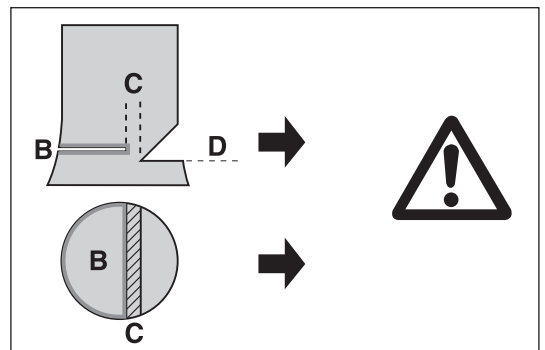
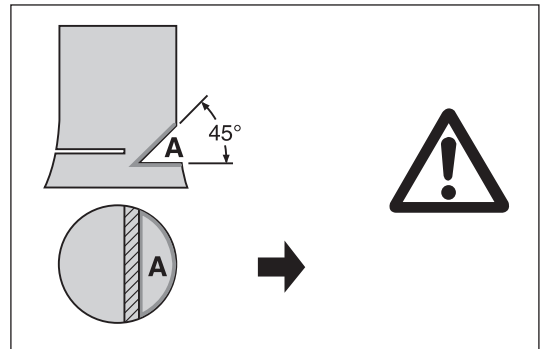
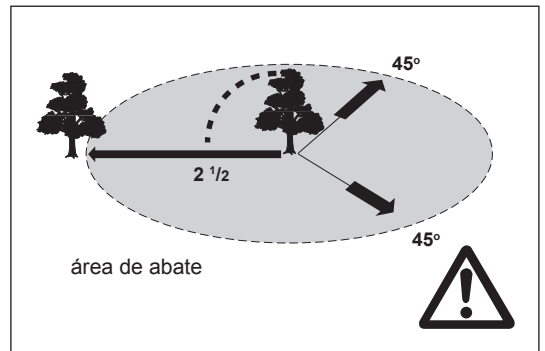
⚠ PRECAUÇÃO:

As pessoas que abatem árvores ou cortam ramos têm de receber formação especial. Elevado risco de ferimentos!

- Ao cortar ramos, a motosserra deve estar apoiada no tronco. Não utilize a extremidade da barra para cortar (risco de recuo).
- Tenha cuidado com os ramos sob tensão. Não corte ramos livres a partir de baixo.
- Nunca execute cortes de libertação da tensão posicionado sobre o tronco.

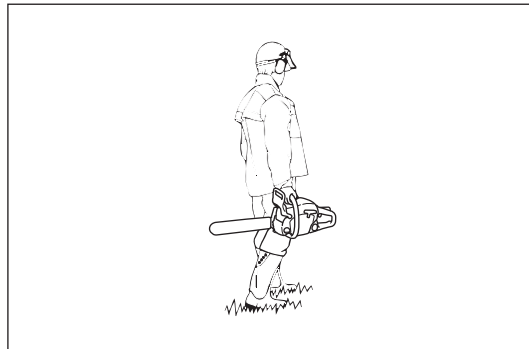


- **Antes de abater uma árvore, certifique-se de que**
 - a) na área de trabalho só se encontram pessoas envolvidas no abate da árvore.
 - b) cada trabalhador envolvido pode afastar-se sem tropeçar (as pessoas devem recuar numa linha diagonal, isto é, num ângulo de 45°).
 - c) a parte inferior do tronco não tem objectos estranhos, matagal e ramos. Certifique-se de que tem uma posição firme (risco de tropeçar).
 - d) o local de trabalho seguinte está no mínimo a 2,5 comprimentos de árvores de distância. Antes de abater a árvore, verifique a direcção de queda e certifique-se de que não existem pessoas nem objectos a uma distância de 2,5 comprimentos de árvore.
- **Avaliação da árvore:** Direcção da suspensão - ramos soltos ou secos - altura da árvore - projecção natural - a árvore está podre?
- Tenha em conta a direcção e a velocidade do vento. Se estiver muito vento, não efectue o abate.
- **Cortar as raízes:** Comece pela raiz mais forte. Execute primeiro o corte vertical e depois o corte horizontal.
- **Fazer um entalhe no tronco:** O entalhe (A) determina a direcção da queda e conduz a árvore. O tronco é entalhado perpendicularmente à direcção da queda e perfura 1/3 - 1/5 do diâmetro do tronco. Execute o corte perto do solo.
- Ao corrigir o corte, faça-o sobre a largura total do entalhe.
- **Abata** a árvore acima da extremidade inferior do entalhe (D). O corte deve ser exactamente na horizontal (B). A distância entre ambos os cortes (C) tem de ser aproximadamente 1/10 do diâmetro do tronco.
- O **material entre ambos os cortes** serve como charneira. Nunca deve ser cortado, caso contrário, a árvore irá cair sem qualquer controlo. Introduza os calços de abate a tempo.
- Fixe o corte apenas com calços feitos de plástico ou alumínio. Não utilize calços de ferro. Se a serra atingir um calço de ferro, a corrente pode ficar gravemente danificada.
- Ao abater uma árvore, coloque-se sempre ao lado da árvore que cai.
- Ao afastar-se depois de ter efectuado o corte, cuidado com ramos que caem.
- Ao trabalhar em encostas, o operador da motosserra deve permanecer acima ou ao lado do tronco a cortar ou da árvore abatida.
- Tenha cuidado com troncos que podem rolar na sua direcção.



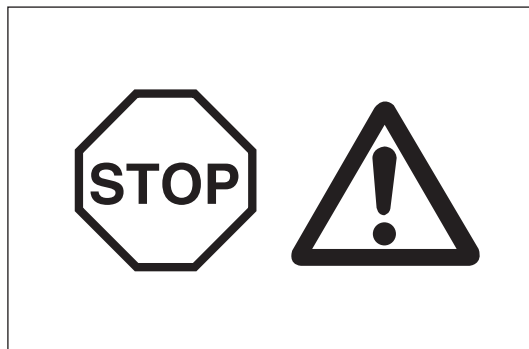
Transporte e armazenamento

- Ao mudar de localização durante o trabalho, desligue a motosserra e actue o travão da corrente de modo a evitar um arranque accidental da corrente.
- Nunca transporte a motosserra com a corrente em funcionamento. Quando a serra está quente, não a cubra (com uma lona, lençol, jornal ou algo semelhante). Deixe a serra arrefecer antes de a colocar numa caixa de armazenamento ou veículo. As serras com conversor catalítico demoram mais tempo a arrefecer!
- Utilize a tampa de protecção da corrente durante o transporte e armazenamento.
- Transporte a motosserra pela pega dianteira. A barra de guia está virada para trás. Evite entrar em contacto com o silenciador (perigo de queimaduras).
- Certifique-se do posicionamento seguro da motosserra durante o transporte automóvel para evitar fugas de combustível, danos ou ferimentos.
- Guarde a motosserra com segurança num local seco. Não pode ser guardada no exterior. Mantenha a motosserra afastada das crianças.
- Antes de armazenar a motosserra por um longo período de tempo ou transportá-la, os depósitos de combustível e óleo têm de estar completamente vazios.
- Efectue a limpeza e a manutenção antes do armazenamento.



Manutenção

- Antes de efectuar trabalhos de manutenção, desligue a motosserra e retire o tampão da vela.
- Antes de iniciar o trabalho, verifique sempre o estado de segurança operacional da motosserra, em particular o funcionamento do travão da corrente. Certifique-se de que a corrente está sempre afiada e apertada correctamente.
- Utilize a motosserra apenas a um ruído e um nível de emissões reduzidos. Para isto, certifique-se de que o carburador está bem regulado.
- Limpe regularmente a motosserra.
- Verifique regularmente a estanquicidade do tampão do depósito.
- Cumpra as instruções de prevenção de acidentes emitidas pelas associações comerciais relevantes e companhias de seguros.
- Não efectue quaisquer modificações na motosserra. Irá colocar a sua segurança em risco.
- Efectue apenas os trabalhos de manutenção e reparação descritos no manual de instruções. Qualquer outro trabalho deve ser efectuado pelo serviço Dolmar.
- Utilize apenas peças sobresselentes e acessórios originais da Dolmar.
- Utilizar peças sobresselentes que não sejam ou acessórios originais da Dolmar e combinações ou comprimentos de barra de guia/corrente que não são aprovados proporcionam um elevado risco de acidentes. Não nos responsabilizamos por acidentes e danos resultantes da utilização de dispositivos de corte ou acessórios que não foram aprovados.

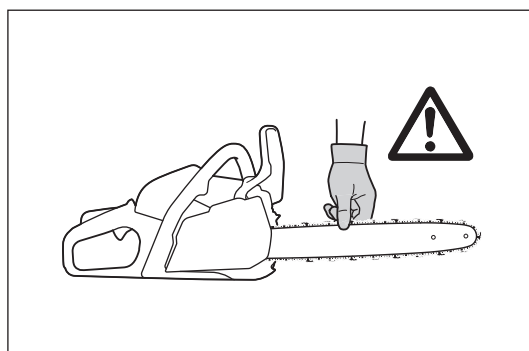


Vibração

As pessoas com má circulação que sejam expostas a vibrações excessivas podem sofrer ferimentos nos vasos sanguíneos ou no sistema nervoso.

As vibrações podem causar os seguintes sintomas nos dedos, mãos ou pulsos: "Adormecimento" (falta de sensação), formigueiro, dor, sensação de picadas, alteração da cor da pele ou da própria pele.

Se ocorrer qualquer um destes sintomas, consulte um médico! Para reduzir o risco de dedo branco causado pela vibração, mantenha as mãos quentes, use luvas e certifique-se de que a corrente da serra está afiada.



Primeiros-socorros

Em caso de acidente, certifique-se de que uma caixa de primeiros socorros está disponível nas proximidades das operações de corte. Substitua imediatamente qualquer item retirado da caixa de primeiros socorros.

Ao pedir ajuda, forneça a seguinte informação:

- Local do acidente
- O que aconteceu?
- Número de pessoas feridas
- Tipo de ferimentos
- O seu nome



Apenas para países europeus

Declaração de conformidade CE

A declaração de conformidade CE está incluída como Anexo A neste manual de instruções.

DADOS TÉCNICOS

Modelo		PS-352	PS-352 TLC
Comprimento total (sem barra de guia)	mm	388	
Peso líquido	kg	4,2	
Volume de curso	cm ³	35,2	
Diâmetro	mm	38	
Curso	mm	31	
Potência máx. à velocidade	kW/min ⁻¹	1,7/10.000	
Binário máx. à velocidade	Nm/min ⁻¹	2,0/7.000	
Velocidade de ralenti/Velocidade máx. do motor com barra e corrente	min ⁻¹	2.900/13.500	
Velocidade da embraiagem	min ⁻¹	4.100	
Carburador	Tipo	Diafragma	
Vela de ignição	Tipo	NGK BPMR 8Y	
Separação de eléctrodos	mm	0,7	
Capacidade do depósito de combustível	cm ³	310	
Capacidade do depósito de óleo de corrente	cm ³	260	
Relação de mistura (combustível/óleo para motores a dois tempos) Óleo genuíno da Dolmar ou classe de qualidade JASO FC (ISO EGC) ou superior		50:1	
Travão da corrente		Acciona manualmente ou em caso de recuo.	
Velocidade da corrente	m/s	25,3	
Passo da roda dentada	mm (polegadas)	0,95 (3/8)	
Número de dentes	Z	6	
Nível de pressão sonora no local de trabalho $L_{PA, eq}$ de acordo com a norma ISO 22868 ¹⁾	dB (A)	99	
	K_{PA}	2,5	
Nível de potência sonora $L_{WA, FI + Ra}$ de acordo com a norma ISO 22868 ²⁾	dB (A)	111	
	K_{WA}	2,5	
Aceleração de vibração $a_{hw, eq}$ de acordo com a norma ISO 22867 ¹⁾	pega dianteira	m/s ²	3,3
		K	2,0
	pega traseira	m/s ²	3,4
		K	2,0

1) Valores derivados em parte igual da velocidade de ralenti, velocidade em carga total e velocidade máxima.

2) Valores derivados em parte igual da velocidade em carga total e velocidade máxima.

• Devido à pesquisa e desenvolvimento constantes, estas especificações estão sujeitas a alteração sem aviso prévio.

• Estas especificações podem diferir de país para país.

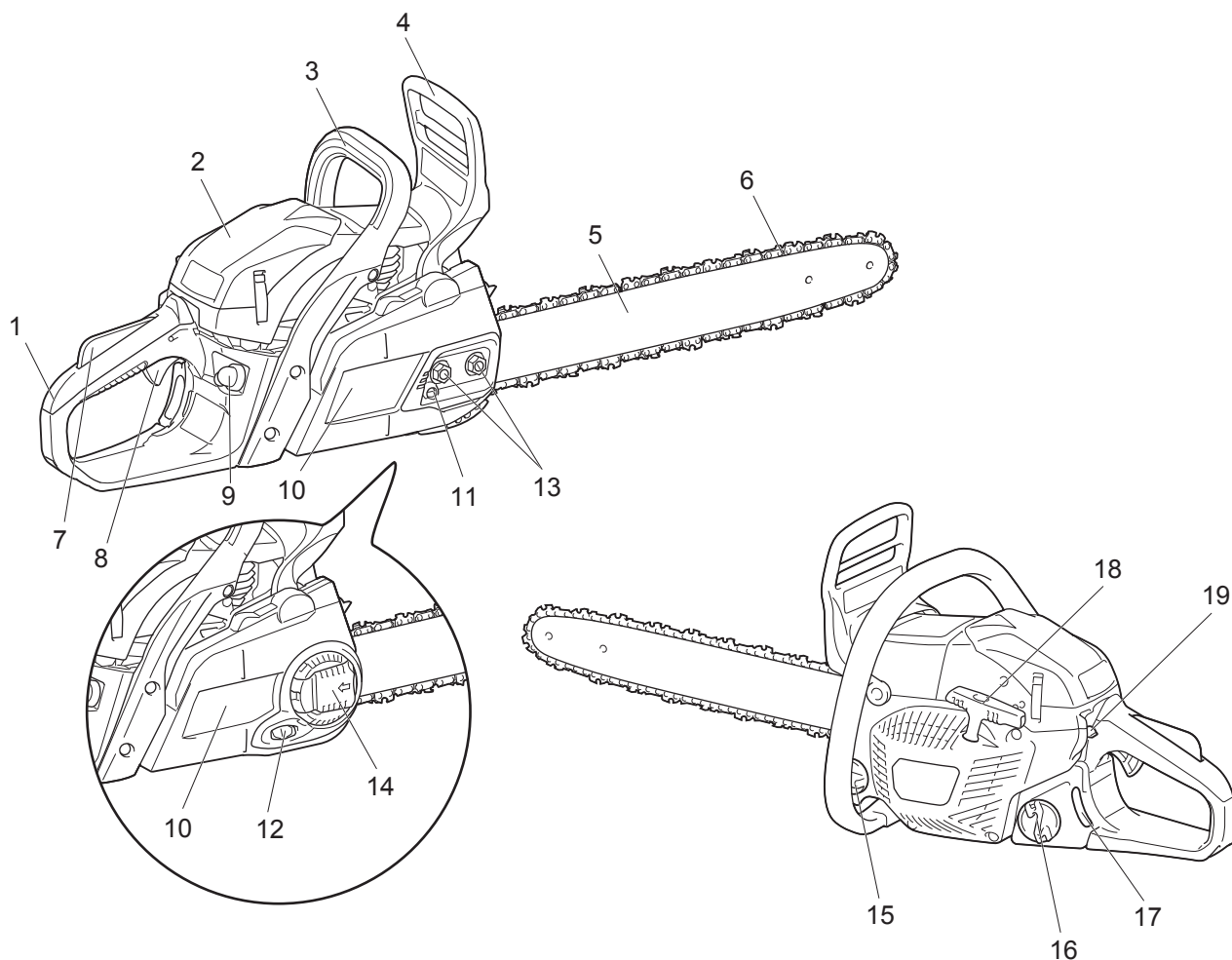
Barra de guia e corrente da serra

Tipo de barra de guia		Barra na ponta da roda dentada	
Comprimento		350 mm	400 mm
Comprimento de corte		325 mm	360 mm
Corrente da serra	Tipo	492 (91PX)	
Passo		3/8"	
Medidor		1,3 mm (0,05")	
N.º de elos de ligação		52	56

⚠ AVISO:

Utilize a combinação adequada da barra de guia e da corrente de serra. Caso contrário, podem resultar ferimentos pessoais.

DESIGNAÇÃO DE PEÇAS



	Designação de peças
1	Pega traseira
2	Tampa do filtro
3	Pega dianteira
4	Resguardo dianteiro da mão
5	Barra de guia
6	Corrente da serra
7	Bloqueio do gatilho do acelerador
8	Gatilho do acelerador
9	Bomba de combustível (Ferragem)
10	Protecção da corrente
11	Parafuso de regulação da corrente
12	Manípulo de regulação da corrente
13	Porcas de retenção
14	Alavanca
15	Tampão do depósito de óleo
16	Tampão do depósito de combustível
17	Manómetro do nível de combustível
18	Pega do dispositivo de arranque
19	Interruptor de combinação

FUNÇÃO DE SEGURANÇA DA MOTOSSERRA

⚠ AVISO:

- Cumprir as funções de segurança NÃO garante protecção total contra ferimentos. **Apenas a utilização e técnica adequadas podem reduzir o risco de recuo e outros acidentes perigosos.**
- Verifique sempre as funções de segurança antes da utilização.
- Se a motosserra não estiver em perfeitas condições, desligue imediatamente o motor e NÃO utilize a motosserra. Contacte o centro de assistência autorizado Dolmar.

Travão da corrente

O travão da corrente destina-se a parar a corrente no espaço de um segundo. É activado quando o recuo é suficientemente forte.

Para accionar manualmente o travão da corrente, empurre o resguardo dianteiro da mão (avança a ponta da serra) com a mão esquerda.

Para soltar o travão da corrente, puxe o resguardo dianteiro da mão (na sua direcção).

ATENÇÃO:

- Não acelere o motor com o travão da corrente actuado (excepto para os testes).
- Solte sempre o travão da corrente antes de iniciar a utilização.

Verificar o travão da corrente

1. Ligue o motor ao ralenti.
2. Segure a motosserra com ambas as mãos. Segure na pega traseira com a mão direita e a pega dianteira com a esquerda. Certifique-se de que a barra de guia e a corrente não entram em contacto com qualquer objecto.
3. Empurre o resguardo dianteiro da mão utilizando as costas da mão, até accionar o travão da corrente.
4. Acelere até o motor atingir a velocidade máxima durante menos de 3 segundos. Certifique-se de que a corrente da serra não se move.
5. Coloque novamente o motor ao ralenti e solte o travão da corrente.

Verificar a banda do travão

A banda do travão encontra-se na parte traseira da protecção da corrente. O travão da corrente desgasta-se ao longo do tempo. Solicite uma verificação e manutenção por parte do centro de assistência autorizado Dolmar, no mínimo, a cada 3 meses.

Bloqueio do gatilho do acelerador

O bloqueio do gatilho do acelerador destina-se a evitar arranques acidentais. Pode premir o gatilho do acelerador apenas quando o bloqueio do gatilho do acelerador é premido (isto é, quando agarra a pega).

Verificar o bloqueio do gatilho do acelerador

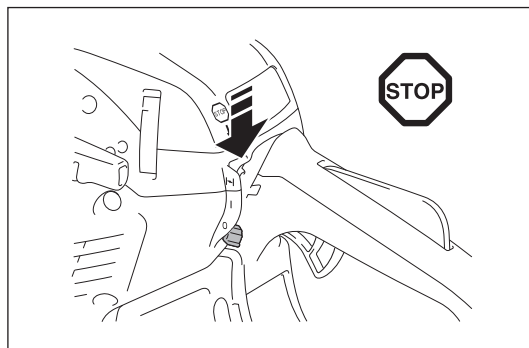
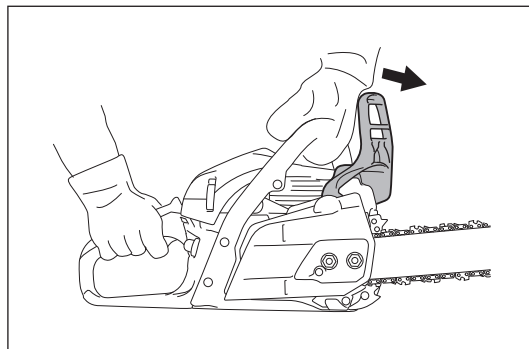
Certifique-se de que o bloqueio do gatilho do acelerador regressa à posição original após soltar a mão da pega traseira.

Paragem do motor

Certifique-se de que o motor pára quando pretende.

Verificar a paragem do motor

Ligue o motor. De seguida, solte o gatilho do acelerador e prima o interruptor de combinação para a posição inferior (O).

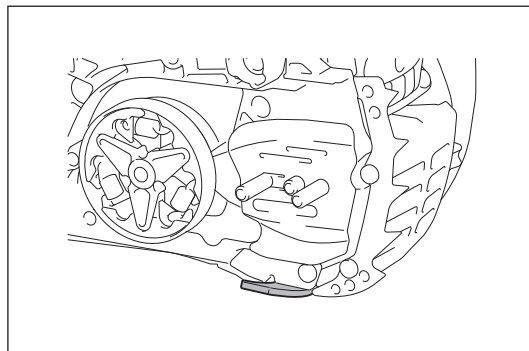


Retentor da corrente

O retentor da corrente destina-se a reter a corrente caso a corrente da serra salte da barra de guia. A corrente da serra não deve saltar se estiver bem esticada. Verifique sempre e regule a tensão da corrente da serra de acordo com o manual de instruções.

Verificar o retentor da corrente

Certifique-se de que o retentor da corrente não está danificado e de que encaixa bem no alojamento.



MONTAGEM

⚠ AVISO:

- Antes de efectuar qualquer trabalho na barra de guia ou na corrente da serra, desligue sempre o motor e certifique-se de que a ferramenta de corte está parada.
- Use sempre luvas de protecção.

⚠ PRECAUÇÃO:

- Ligue a motosserra apenas após tê-la montado e inspeccionado por completo.

Instalar a barra de guia e a corrente da serra

ATENÇÃO:

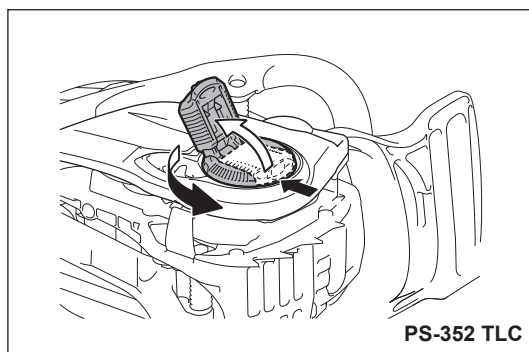
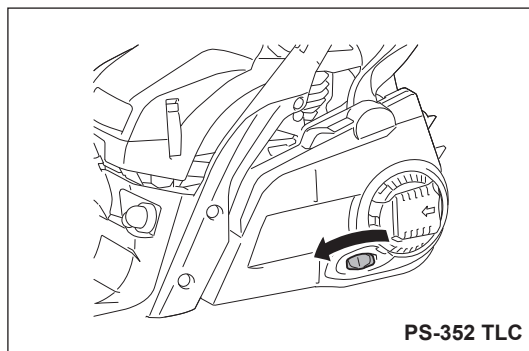
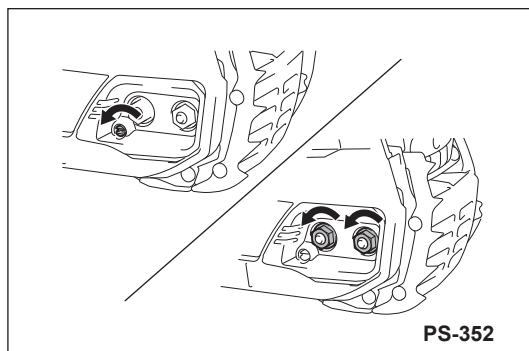
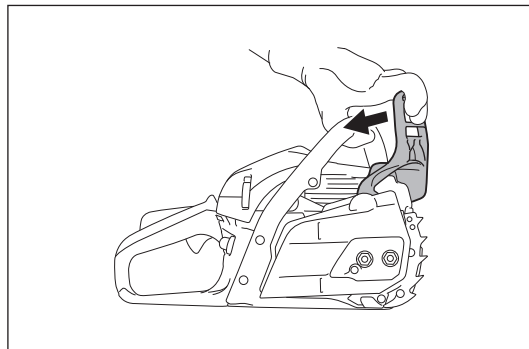
- A instalação ou remoção da corrente da serra deve ser efectuada num local limpo, livre de serradura e outro material estranho.

Coloque a motosserra numa superfície estável e efectue os passos seguintes:

1. Solte o travão da corrente puxando o resguardo dianteiro da mão.
2. Desaperte por completo a tensão da corrente.
3. (Para o modelo PS-352) Desaperte as porcas de retenção.
(Para o modelo PS-352 TLC) Prima e abra por completo a alavanca até parar.
Rode a alavanca no sentido contrário aos ponteiros do relógio.
4. Retire a protecção da corrente.

ATENÇÃO:

- Não pode remover a protecção da corrente sem soltar o travão da corrente.



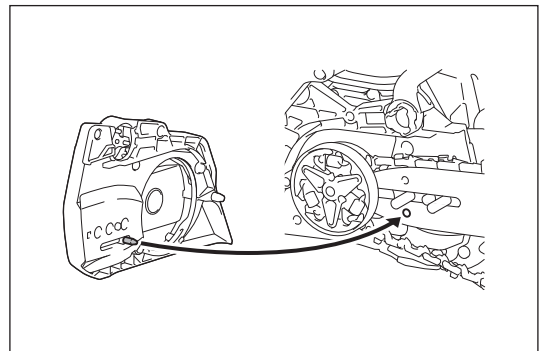
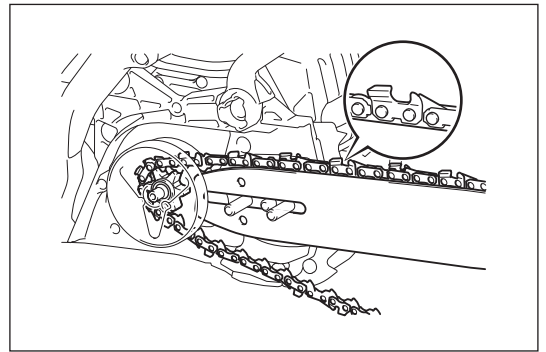
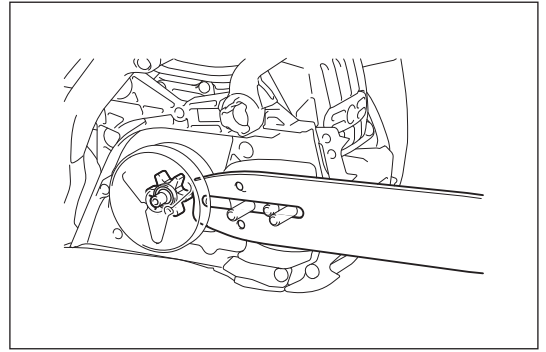
5. Coloque a barra de guia sobre os parafusos da barra.
6. Verifique a direcção da corrente da serra. As setas na corrente da serra têm de apontar na mesma direcção que a seta no alojamento da serra.
7. Encaixe a corrente da serra primeiro na roda dentada, de seguida, encaixe a corrente da serra na ponta da barra de guia.
8. Coloque a protecção da corrente à medida que o pino de regulação entra no orifício na barra de guia.

ATENÇÃO:

- Levante a corrente da serra acima do retentor da corrente.
9. (Para o modelo PS-352) Aperte as porcas de retenção para fixar a protecção da corrente, de seguida, desaperte-as um pouco para regulação da tensão.
(Para o modelo PS-352 TLC) Rode a alavanca no sentido dos ponteiros do relógio para fixar a protecção da corrente, de seguida, desaperte-as um pouco para regulação da tensão.
 10. Regule a tensão da corrente da serra. (Consulte a secção “Regular a tensão da corrente da serra” passo 3 e seguintes.)

NOTA:

- De modo a obter um desgaste uniforme da barra de guia, vire-a ao substituir a corrente.



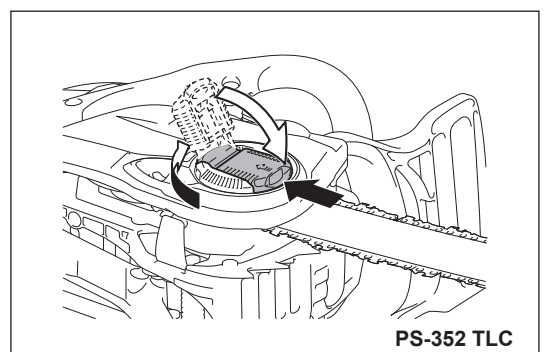
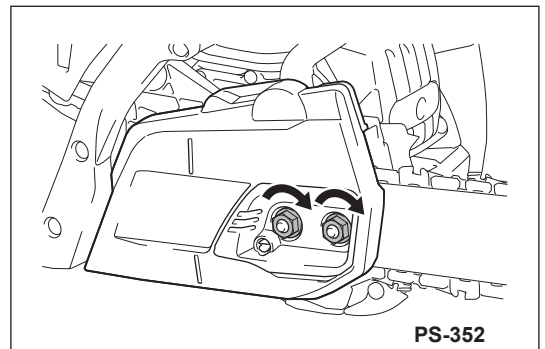
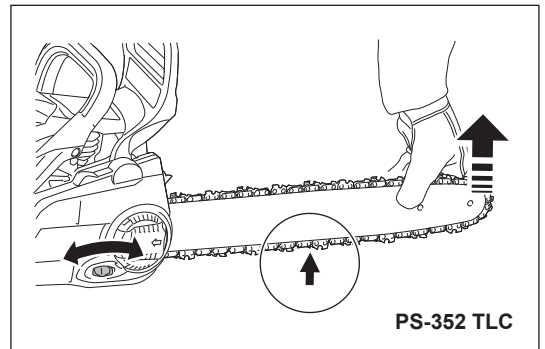
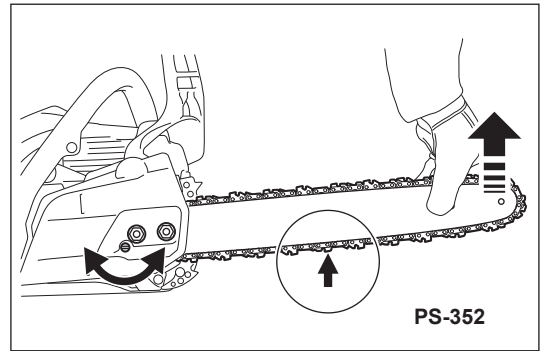
Regular a tensão da corrente da serra

⚠ PRECAUÇÃO:

- Uma corrente de serra excessivamente solta pode sair da barra e, assim, apresentar um risco accidental. Se a corrente da serra estiver demasiado solta, regule-a.
- Uma tensão demasiado excessiva da corrente da serra pode provocar a sua quebra, desgaste da barra guia e quebra do parafuso/manípulo de regulação. A corrente da serra pode ficar solta após muitas horas de utilização. Quando muda a corrente da serra ou após algumas horas de funcionamento, verifique a tensão da corrente da serra antes da utilização. Uma corrente de serra bem regulada contribui para o bom desempenho e longa vida útil da ferramenta. A tensão da corrente está correcta se a corrente assentar no lado inferior da barra de guia e ainda pode ser facilmente virada à mão. Verifique frequentemente a tensão da corrente, as correntes novas tendem a ficar maiores durante a utilização.

Para regular a tensão da corrente da serra, efectue o procedimento seguinte:

1. Solte o travão da corrente puxando o resguardo dianteiro da mão.
2. (Para o modelo PS-352) Desaperte um pouco as porcas de retenção para desapertar a protecção da corrente.
(Para o modelo PS-352 TLC) Prima e abra por completo a alavanca até parar. Rode um pouco a alavanca no sentido contrário aos ponteiros do relógio para desapertar a protecção da corrente.
3. Levante ligeiramente e segure a ponta da barra de guia.
4. (Para o modelo PS-352) Rode o parafuso de regulação da corrente para regular a tensão da corrente da serra.
(Para o modelo PS-352 TLC) Rode o manípulo de regulação da corrente para regular a tensão da corrente da serra.
5. Regule a tensão da corrente até o lado inferior da corrente da serra encaixar na calha da barra de guia (ver círculo na figura). Durante a regulação da tensão da corrente, levante a ponta da barra de guia.
6. Continue a segurar a barra de guia, aperte a protecção da corrente após ajustar a tensão da corrente.
(Para o modelo PS-352) Aperte as porcas de retenção para fixar a protecção de corrente.
(Para o modelo PS-352 TLC) Rode a alavanca por completo no sentido dos ponteiros do relógio para fixar a protecção da corrente. De seguida, prima e feche a alavanca.
7. Certifique-se de que a corrente da serra não está solta no lado inferior e de que encaixa bem contra o lado inferior da barra.



ANTES DA UTILIZAÇÃO

⚠ AVISO:

- EVITE O CONTACTO COM A PELE E OS OLHOS. Produtos de óleo mineral desengorduram a sua pele. Se a sua pele entrar repetidamente em contacto com estas substâncias e durante um longo período de tempo, podem secar a pele. Podem resultar várias doenças de pele. Além disso, podem ocorrer reacções alérgicas. Os olhos podem ser irritados através do contacto com óleo. Se entrar óleo nos seus olhos, lave-os imediatamente com água limpa. Se os seus olhos ainda estiverem irritados, consulte imediatamente um médico.

Combustível

⚠ PRECAUÇÃO:

- Tenha muito cuidado ao lidar com gasolina.
- Não fume. Mantenha a ferramenta afastada das chamas livres, faíscas ou incêndios (perigo de explosão).

Mistura de combustível

Esta ferramenta é alimentada por um motor a dois tempos refrigerado a ar de alto-desempenho. Funciona à base de uma mistura de gasolina e óleo para motor a dois tempos.

O motor destina-se a gasolina sem-chumbo com um valor mín. de octanas de 91 RON (89 AKI) e conteúdo de etanol inferior a 10%. Caso esse combustível esteja indisponível, pode utilizar combustível com um valor de octanas superior. Isto não irá afectar o motor.

De modo a obter uma potência ideal do motor e a proteger a sua saúde e o ambiente, utilize apenas combustível sem chumbo.

Para lubrificar o motor, utilize óleo sintético para motores a dois tempos refrigerados a ar (Óleo genuíno da Dolmar ou classe de qualidade JASO FC (ISO EGC) ou superior). Misture óleo de combustível com gasolina.

⚠ PRECAUÇÃO:

- Não utilize combustível já misturado das estações de serviço.

A relação de mistura correcta: 50:1, isto é, misture 50 partes de gasolina com 1 parte de óleo.

NOTA:

- Para preparar a mistura combustível-óleo, misture primeiro toda a quantidade de óleo com metade do combustível necessário, depois adicione o combustível restante. Abane cuidadosamente a mistura antes de a abastecer no depósito da motosserra.

Não adicione mais óleo do motor do que o especificado. Uma relação de mistura incorrecta resulta na criação de mais resíduos de combustão poluentes. Também causa a obstrução do canal de escape no cilindro e silenciador e causa fraco desempenho e consumo excessivo de combustível.

O armazenamento de combustível

Os combustíveis têm uma vida de armazenamento limitada. As misturas de combustível envelhecem através da evaporação, especialmente a altas temperaturas. O combustível e as misturas de combustível envelhecidos podem causar problemas de arranque e danificar o motor. Compre apenas aquela quantidade de combustível que será consumida ao longo dos próximos meses. A altas temperaturas, uma vez misturado o combustível, deverá ser gasto em 6-8 semanas.

Preserve o combustível apenas em recipientes adequados, em locais secos, frescos e seguros.

Óleo de corrente

Utilize óleo com aditivo adesivo para lubrificar a corrente e a barra de guia. O aditivo adesivo impede o óleo de ser projectado da corrente demasiado rápido. É aconselhável a utilização de óleo de corrente genuíno da Dolmar ou óleo de corrente biodegradável de modo a proteger o ambiente. A utilização de óleo biodegradável pode até ser necessária pelos regulamentos locais.

O óleo biodegradável é estável apenas por um período de tempo limitado. Utilize-o no espaço de 2 anos a partir da data de fabrico (impressa no recipiente).

Nota importante sobre óleos de corrente biodegradáveis

Se estiver a pensar usar novamente a serra por um longo período de tempo, esvazie o depósito de óleo e coloque uma pequena quantidade de óleo de motor normal (SAE 30) e, de seguida, ligue a serra durante algum tempo. Isto é necessário para retirar o restante óleo biodegradável do depósito de óleo, sistema alimentado a óleo, corrente e barra de guia, visto que muitos óleos tendem a deixar resíduos aderentes ao longo do tempo, que podem causar danos na bomba de óleo ou outras peças.

NUNCA UTILIZE ÓLEO USADO

O óleo usado é muito perigoso para o ambiente.

O óleo usado contém elevadas quantidades de substâncias cancerígenas.

Os resíduos no óleo usado resultam no desgaste extremo e em danos na bomba de óleo e no dispositivo de corte.

Em caso de danos causados pela utilização de óleo usado ou óleo de corrente inadequado, a garantia do produto será anulada.

Reabastecer combustível e óleo da corrente

⚠ AVISO:

- CUMPRAS AS PRECAUÇÕES DE SEGURANÇA. Tenha cuidado ao lidar com combustíveis.
- Desligue o motor.

⚠ PRECAUÇÃO:

- Limpe o tampão do depósito e a área em torno do depósito após reabastecer.
- Reabasteça o óleo de corrente da seguinte forma:
1. Limpe minuciosamente a área em torno dos tampões para evitar a entrada de sujeira no depósito de combustível ou de óleo.
 2. Desaperte o tampão e abasteça cada depósito com combustível (mistura combustível/óleo) e óleo de corrente respectivamente.
 3. Abasteça a extremidade inferior do tubo de enchimento. Tenha cuidado para não derramar o combustível ou óleo de corrente!
 4. Aperte ao máximo os tampões dos depósitos à mão.

Lubrificar a corrente

⚠ AVISO:

- Verifique o depósito do óleo de corrente apenas quando o motor estiver desligado.

Certifique-se de que existe óleo de corrente suficiente no depósito do óleo de corrente para proporcionar uma boa lubrificação da corrente durante a utilização. À velocidade média de fornecimento de óleo, a capacidade do depósito de óleo é aproximadamente igual ao tempo de funcionamento de um depósito de combustível.

Antes da utilização ou reabastecimento, verifique o nível do óleo de corrente e, se necessário, reabasteça.

Regular a lubrificação da corrente

⚠ AVISO:

- Desligue o motor.

Pode regular a velocidade de fornecimento da bomba de óleo com o parafuso de regulação. Existem três graus de velocidade de fornecimento da bomba de óleo, isto é, alta, média ou baixa.

O parafuso de regulação situa-se na parte inferior da motosserra. Utilize uma chave de fendas e regule adequadamente a quantidade de fornecimento de óleo.

Limpar a guia de óleo

Para garantir um funcionamento seguro da bomba de óleo, limpe regularmente a ranhura da guia de óleo no alojamento e o orifício de fornecimento de óleo na barra de guia.

Verificar a lubrificação da corrente

⚠ PRECAUÇÃO:

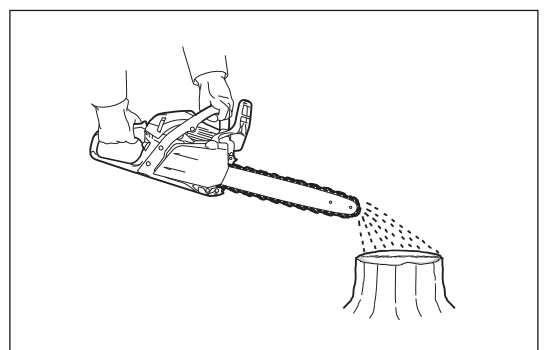
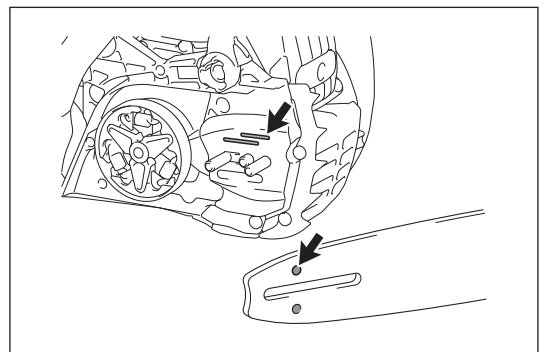
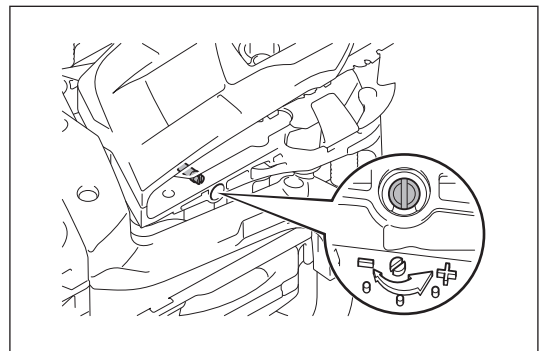
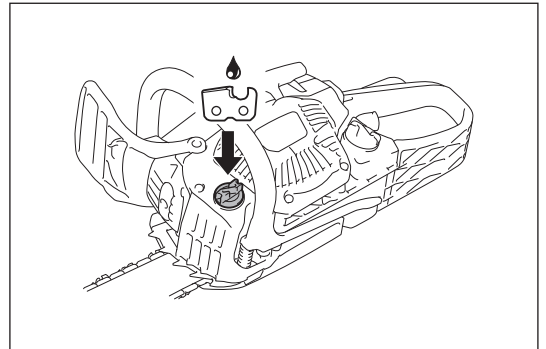
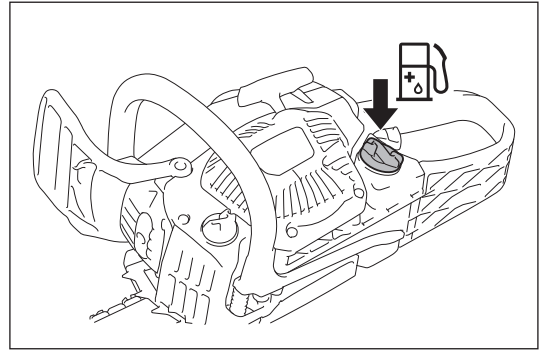
- Nunca trabalhe com a motosserra sem lubrificação suficiente da corrente. Caso contrário, a vida útil da corrente da serra e da barra de guia será reduzida.
- Antes de começar a trabalhar, verifique o nível de óleo no depósito e o fornecimento de óleo.
- Preste atenção à direcção do vento e evite exposição desnecessária à pulverização do óleo.

Verifique a velocidade de fornecimento de óleo da seguinte forma:

1. Ligue a motosserra.
2. Segure a motosserra em funcionamento aproximadamente 15 cm acima de um tronco ou solo (utilize uma base adequada).
3. Se a lubrificação for suficiente, pode ver um ligeiro rasto de óleo porque o óleo dispersa-se para fora da corrente.

NOTA:

- Após desligar a motosserra, é normal que o óleo de corrente residual goteje do sistema de fornecimento de óleo, da barra de guia e da corrente durante algum tempo. Isto não representa um defeito. Coloque a serra numa superfície adequada.



LIGAR E DESLIGAR O MOTOR

⚠ AVISO:

- Não ligue o motor antes de a motosserra estar completamente montada e verificada.

⚠ PRECAUÇÃO:

- Afaste-se, no mínimo, 3 metros do local onde a motosserra é abastecida.
- Certifique-se de que se encontra numa posição segura e coloque a serra no chão.
- Certifique-se de que a barra de guia e a corrente da serra não tocam em nada.
- Não se esqueça de activar o travão da corrente antes de ligar o motor.

ATENÇÃO:

- Nunca puxe a corda ao máximo.
- Coloque a pega do dispositivo de arranque suavemente no alojamento. Caso contrário, uma pega do dispositivo de arranque solta pode atingir o seu corpo ou pode não rebobinar adequadamente.
- O motor tem de ser colocado ao ralenti imediatamente após o arranque. Caso contrário, a embraiagem pode ser danificada, consulte o centro de assistência autorizado.

Ligar o motor

1. Active o travão da corrente (bloqueio).
2. Segure bem a pega dianteira com a mão esquerda e pressione a motosserra contra o chão.
3. Pressione o resguardo traseiro da mão com o pé direito.
4. Ligue o motor de acordo com as circunstâncias do motor da seguinte forma.

Arranque a frio

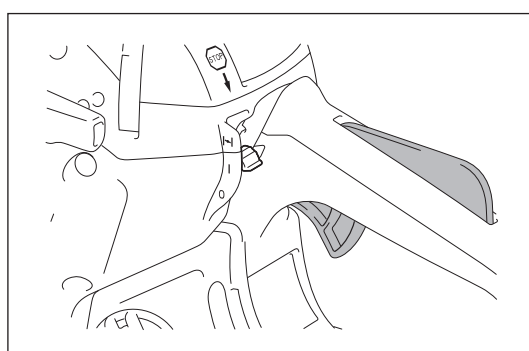
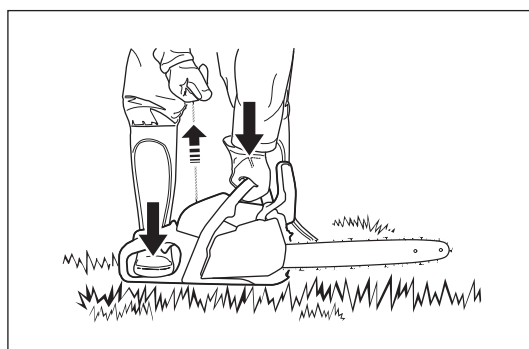
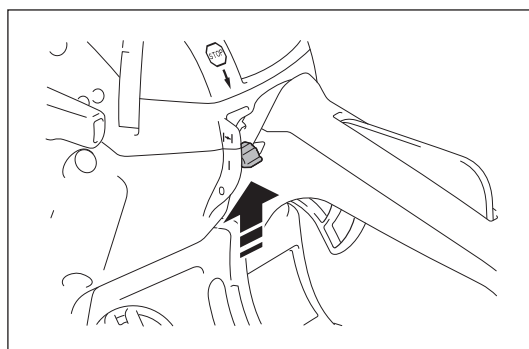
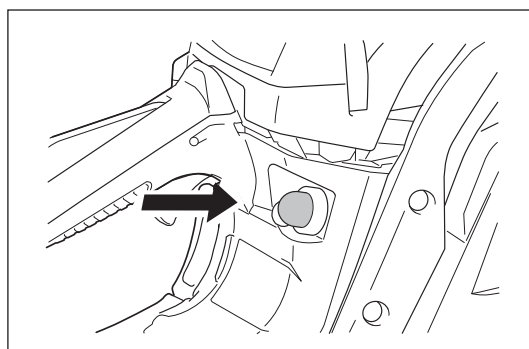
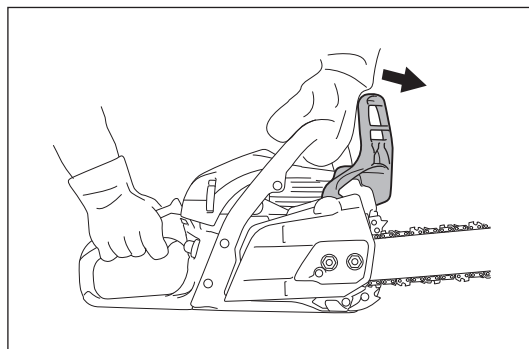
Quando o motor não tiver sido utilizado imediatamente antes do arranque, efectue os passos seguintes:

1. Accione a bomba de ferragem várias vezes até o combustível entrar na bomba de ferragem. (No geral 7 a 10 vezes.)
2. Mova o interruptor de combinação para cima (posição do afogador). Isto também acciona o bloqueio de acelerador a meio.
3. Puxe lentamente a pega do dispositivo de arranque até sentir compressão. De seguida, puxe com força. Podem ser necessárias duas a quatro tentativas até o motor arrancar.
4. Assim que o motor arrancar, mova o interruptor de combinação para a posição central (I). De seguida, puxe novamente a pega do dispositivo de arranque com força até o motor arrancar.
5. Agarre a pega traseira (o bloqueio do gatilho do acelerador é solto ao agarrar) e puxe o gatilho do acelerador durante algum tempo e solte-o.
6. Solte o travão da corrente.

Arranque a quente

Quando o motor tiver sido utilizado imediatamente antes do arranque e ainda estiver quente, efectue os passos seguintes:

1. Accione a bomba de ferragem várias vezes até o combustível entrar na bomba de ferragem. (No geral 7 a 10 vezes.)
2. Mova o interruptor de combinação para cima (posição do afogador) e, de seguida, novamente para a posição central (I).
3. Puxe lentamente a pega do dispositivo de arranque até sentir compressão. De seguida, puxe com força. Podem ser necessárias duas a quatro tentativas até o motor arrancar. Se o motor não arrancar, efectue os passos do arranque a frio (consulte a secção "Arranque a frio"). Assim que o motor começa a funcionar, agarre a pega traseira (o bloqueio do gatilho do acelerador é solto ao agarrar) e puxe o gatilho do acelerador durante algum tempo e solte-o.
4. Solte o travão da corrente.

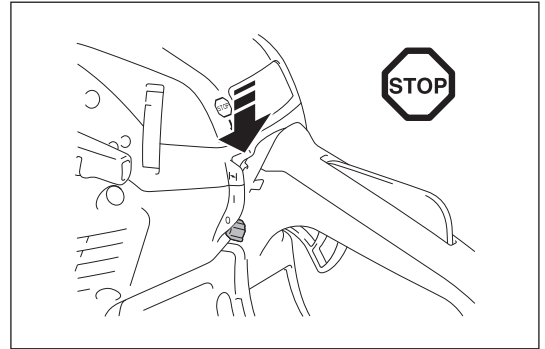


Desligar o motor

Solte o gatilho do acelerador e, de seguida, prima o interruptor de combinação para a posição inferior (O).

O interruptor de combinação reverte automaticamente para a posição (I). O motor desliga-se com este interruptor desligado, mas está pronto a arrancar.

Para cortar a corrente de ignição, prima completamente o interruptor de combinação além do ponto de resistência para bloquear na posição (O).



Regular o ralenti

⚠ AVISO:

- Não regule o ralenti antes de a motosserra estar completamente montada e verificada.
- Se a corrente da serra ainda se mover ao ralenti mesmo após a regulação, pare imediatamente de utilizar a motosserra e dirija-se a um centro de assistência autorizado da Dolmar para reparação.

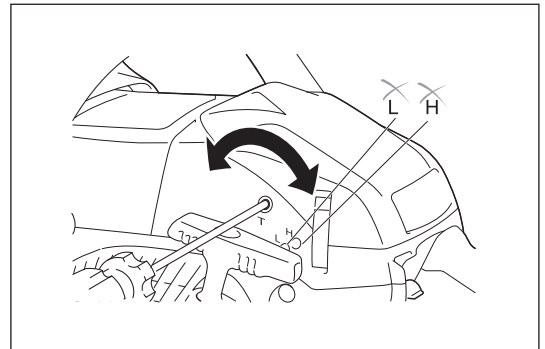
⚠ PRECAUÇÃO:

- Não regule os parafusos (H) e (L) na ilustração.

Se a corrente da serra se mover ao ralenti sem premir o gatilho do acelerador, é necessário regular o ralenti.

Regule o ralenti da seguinte forma:

1. Ligue e aqueça o motor durante dois ou três minutos, mas não coloque o motor a alta velocidade.
2. Para reduzir o ralenti, rode o parafuso de regulação no sentido contrário aos ponteiros do relógio.
3. Para aumentar o ralenti, rode o parafuso de regulação no sentido dos ponteiros do relógio.
4. Certifique-se de que a corrente da serra não se move ao ralenti.



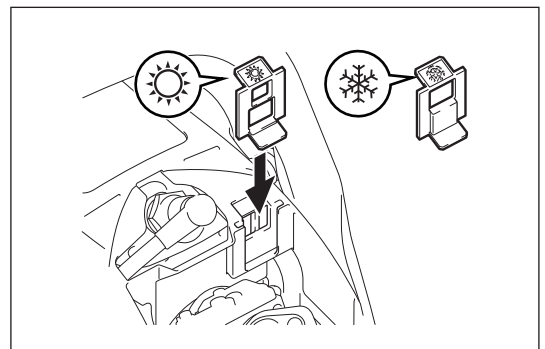
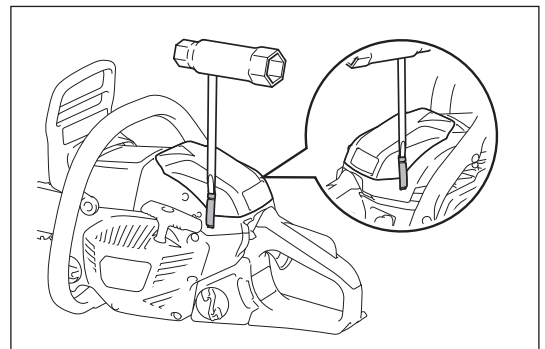
Prevenção contra a formação de gelo no carburador

ATENÇÃO:

- Quando a temperatura ambiente é superior a 5°C, coloque sempre o obturador na definição normal (marca de sol). Caso contrário, o motor pode ficar danificado devido a sobreaquecimento.

Quando a temperatura ambiente é baixa (0°C - 5°C) e a humidade é alta, o vapor de água pode congelar no interior do carburador e o motor funciona de forma instável (formação de gelo no carburador). Se necessário, altere a definição do obturador da seguinte forma.

1. Abra a tampa do filtro.
2. Retire o obturador.
3. Coloque o obturador na posição anti-formação de gelo (marca de neve).
4. Retire a tampa do filtro.



MANUTENÇÃO

⚠ AVISO:

- Certifique-se de que o motor da motosserra está desligado e retire o tampão da vela da vela de ignição antes de efectuar a manutenção ou a inspecção.
- Aguarde até o motor arrefecer antes de efectuar qualquer trabalho de manutenção.
- Use sempre luvas protectoras.
- Ligue a motosserra apenas após tê-la montado e inspecionado por completo.
- Mantenha-se afastado das chamas livres e não fume.

⚠ PRECAUÇÃO:

- Para manter a SEGURANÇA e a FIABILIDADE do produto, qualquer reparação, manutenção ou regulação não incluída neste manual deve ser efectuada pelos Centros de assistência autorizados da Dolmar. Utilize sempre peças sobresselentes Dolmar.

Afiar a corrente da serra

A corrente necessita de ser afiada quando:

- As aparas produzidas pelo corte parecem serradura.
- A corrente perfura a madeira apenas sob grande pressão.
- A extremidade de corte está visivelmente danificada.
- A serra é puxada para a esquerda ou direita ao serrar. Isto é causado pela afiação irregular da corrente.

ATENÇÃO:

- Afie com frequência, mas sem retirar demasiado! Normalmente, bastam duas ou três passagens da lima.
- Leve a corrente a um centro de assistência para ser afiada após tê-la já afiado sozinho várias vezes.

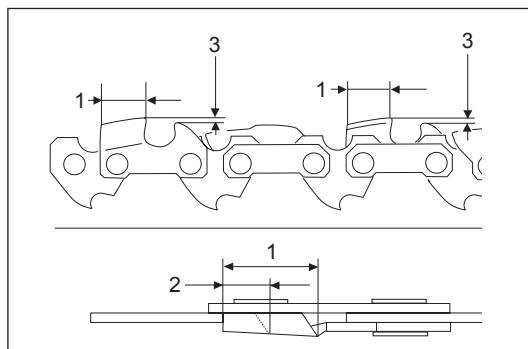
Afiação correcta

⚠ PRECAUÇÃO:

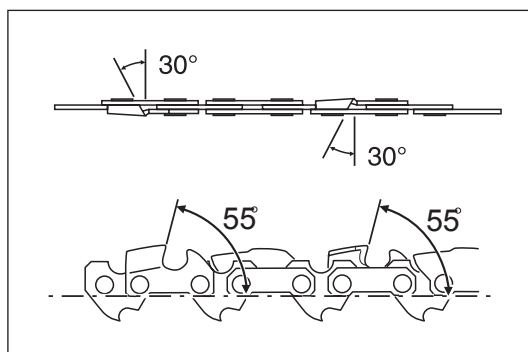
- Utilize apenas correntes e barras de guia destinadas a esta serra.
- A profundidade excessiva (3) aumenta o risco de recuos.

Critérios de afiação (para corrente de serra 492 (91PX))

- Mantenha todas as partes do cortador (1) na corrente da serra ao mesmo comprimento. As partes do cortador com comprimentos diferentes resultam numa má condução da corrente e podem causar rupturas na corrente.
- O comprimento mínimo do cortador (2): 4 mm. Não afie a corrente quando o comprimento da parte do cortador passa a ser inferior a 4 mm. A este ponto, substitua a corrente da serra.
- A profundidade do corte (3) é determinada pela diferença em altura entre o medidor de profundidade (ponta redonda) e a extremidade de corte.
- Os melhores resultados são obtidos com 0,64 mm de profundidade.

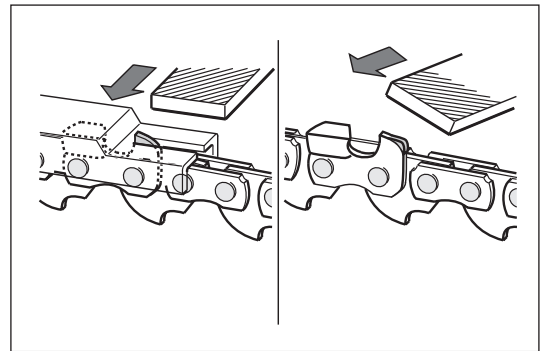
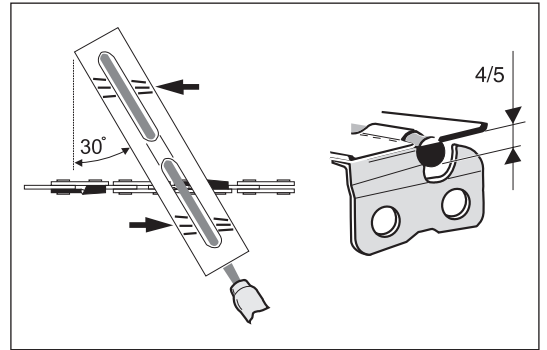
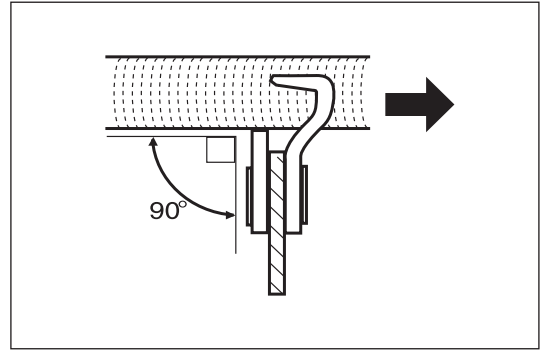


- Mantenha o mesmo ângulo de afiação de 30° para todas as partes do cortador.
- Utilize uma lima redonda adequada para que o ângulo de afiação adequado de 55° seja mantido contra os dentes.
- Afie os cortadores a um ângulo adequado, caso contrário, pode causar um funcionamento irregular e resultar no desgaste e avaria da corrente da serra.



Limas e orientação das limas

- Utilize uma lima redonda especial (acessório opcional) para a afiação de correntes de serra. As limas redondas normais não são adequadas.
- Utilize a lima redonda com 4,0 mm de diâmetro.
- A lima apenas deve entrar em contacto com a parte do cortador na passagem para a frente. Levante a lima da parte do cortador na passagem de regresso.
- Afile primeiro o cortador mais curto. De seguida, o comprimento deste cortador mais curto torna-se a norma para todos os cortadores na corrente da serra.
- Guie a lima tal como indicado na ilustração.
- Um suporte de lima (acessório opcional) torna a orientação da lima mais fácil. O suporte da lima possui marcações para o ângulo correcto de afiação de 30°.
- Ao utilizar o suporte da lima, alinhe as marcações paralelo à corrente da serra e limite a profundidade de limagem a 4/5 do diâmetro da lima.
- Após afiar a corrente, verifique a profundidade do corte utilizando a ferramenta de medição da corrente (acessório opcional).
- Remova o pequeno excesso com uma lima chata especial (acessório opcional).
- Arredonde a parte dianteira do medidor de profundidade.



Limpar o interior da protecção da corrente

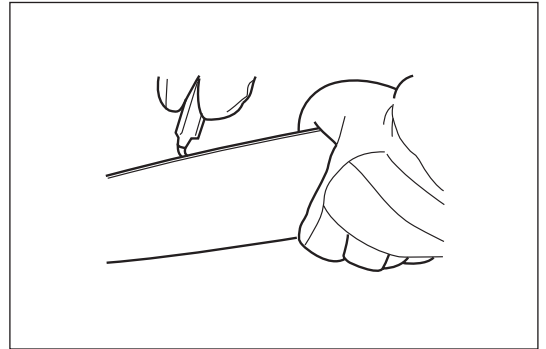
Retire a protecção da corrente, a corrente da serra e a barra de guia.
Limpe o interior da protecção da corrente com uma escova.

ATENÇÃO:

Certifique-se de que não restam resíduos ou materiais estranhos na ranhura da guia de óleo, pino de tensão da corrente e banda de travão.

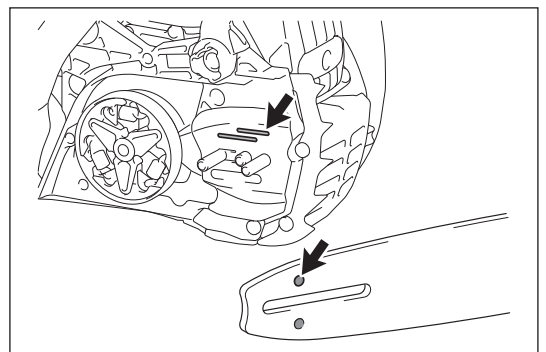
Limpar a barra de guia

Verifique regularmente a existência de danos nas superfícies corrediças da barra.
Limpe-a utilizando uma ferramenta adequada.



Limpar a guia de óleo

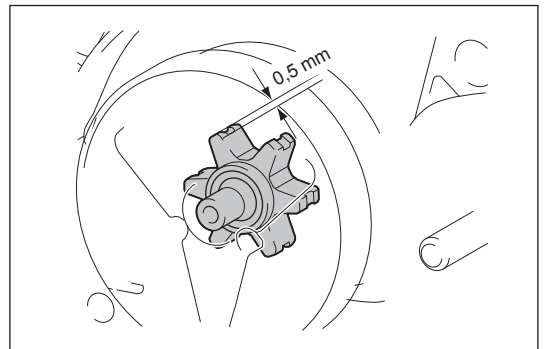
Limpe regularmente a ranhura da guia de óleo e o orifício de fornecimento do óleo na barra.



Verificar a roda dentada

⚠ PRECAUÇÃO:

Uma roda dentada desgastada pode danificar uma corrente da serra nova. Não utilize uma corrente nova na roda dentada de uma corrente gasta. Verifique a roda dentada antes de instalar uma corrente de serra nova. Solicite um centro de assistência autorizado da Dolmar para reparação se houver algum defeito ou se a roda dentada estiver gasta mais de 0,5 mm.



Limpar o filtro de ar

⚠ PRECAUÇÃO:

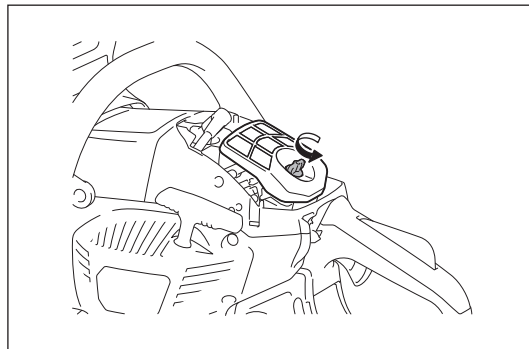
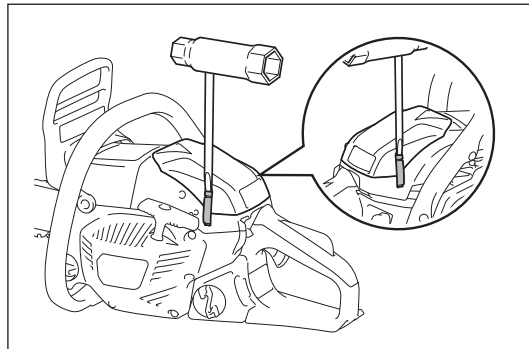
- Utilize sempre protecção para os olhos.

Para limpar o filtro de ar, efectue os passos seguintes:

1. Mova para cima o interruptor de combinação (posição do afogador) para evitar a queda de sujidade ou materiais estranhos no carburador.
2. Abra dois ganchos com uma chave de fenda chata e remova a tampa do filtro.
3. Desaperte a porca e, de seguida, retire o filtro de ar.

NOTA:

- Durante a limpeza, cubra a abertura com um pano limpo para evitar a queda de sujidade ou materiais estranhos no carburador.
 - Substitua imediatamente o filtro de ar se estiver danificado.
4. Bata no filtro ou limpe-o com uma escova ou compressor de ar para remover a sujidade.
 5. Se o filtro de ar estiver muito sujo, substitua-o por um filtro novo.
 6. Volte a colocar o filtro de ar e a tampa do filtro efectuando os passos acima de forma inversa.



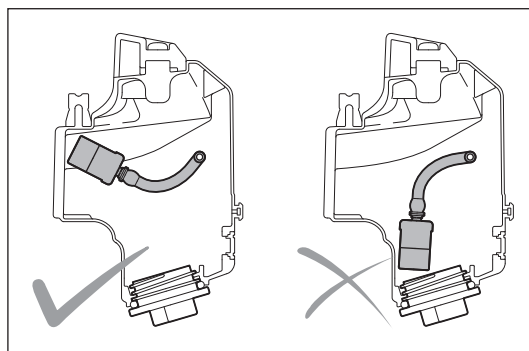
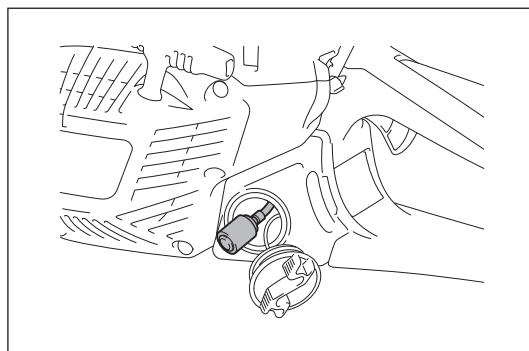
Limpar o filtro de combustível

O filtro de combustível da cabeça de sucção é utilizado para filtrar o combustível requerido pelo carburador. Efectue periodicamente a inspecção visual.

1. Abra o tampão do depósito, utilize um gancho metálico e retire a cabeça de sucção pela abertura do depósito.
2. Se o filtro estiver rígido ou entupido, substitua-o.
3. Após a verificação, limpeza ou substituição, fixe o filtro de combustível no tubo de combustível com o grampo de tubo flexível. Empurre o filtro de combustível ao máximo para a parte inferior do depósito de combustível.

NOTA:

- É aconselhável substituir o filtro de combustível, no mínimo, a cada três meses para garantir um fornecimento suficiente de combustível no carburador. Caso contrário, um fornecimento insuficiente de combustível pode causar problemas no motor.

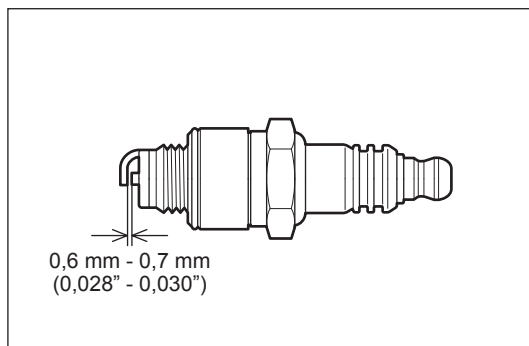


Verificar a vela de ignição

⚠ PRECAUÇÃO:

- Nunca toque no conector da vela de ignição enquanto o motor estiver a trabalhar (perigo de choque eléctrico de alta tensão).

O espaço entre os dois eléctrodos da vela de ignição deverá estar a 0,6 - 0,7 mm. Se o espaço for demasiado largo ou estreito, regule-o. Se a vela de ignição estiver entupida ou contaminada, limpe-a rigorosamente ou substitua-a.



Limpar o espaço do cilindro

⚠ PRECAUÇÃO:

- Utilize sempre protecção para os olhos.

Após um longo período de funcionamento, pó pode acumular no espaço do cilindro. Pode causar o sobreaquecimento do motor. Limpe ocasionalmente o espaço do cilindro.

Efectue a limpeza da seguinte forma:

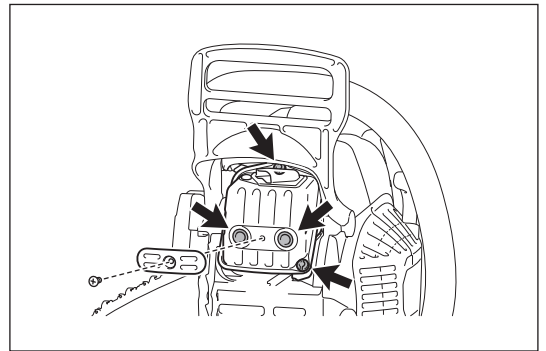
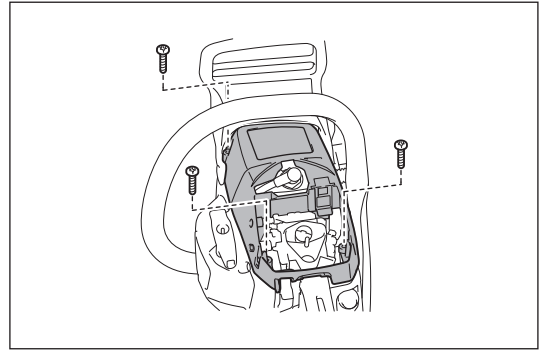
1. Abra dois ganchos e retire a tampa do filtro.
2. Retire o filtro de ar.

NOTA:

- Durante a limpeza, cubra a abertura com um pano limpo para evitar a queda de sujidade ou materiais estranhos no carburador.
3. Retire três parafusos e retire a tampa do cilindro. É mais fácil remover a tampa do cilindro quando o resguardo dianteiro da mão está na posição de avanço.
 4. Limpe o espaço do cilindro e as alhetas do cilindro. Se necessário, utilize uma escova ou compressor de ar.
 5. Coloque novamente a tampa do cilindro, filtro de ar e tampa do filtro após limpar.

Verificar os parafusos no silenciador

Retire a tampa do cilindro e a protecção contra o pó e verifique a estanquicidade dos quatros parafusos no silenciador. Aperte-os se estiverem soltos.



Verificar o supressor de ignição

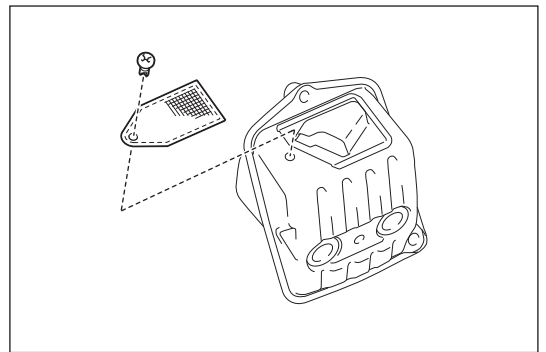
⚠ PRECAUÇÃO:

• Não ligue o motor se o supressor de ignição estiver danificado ou em falta. O supressor de ignição impede o carbono quente de ser projectado pelo tubo de escape. Verifique regularmente o supressor de ignição executando os passos seguintes:

1. Retire a tampa do cilindro.
2. Retire o parafuso que fixa o supressor de ignição. É mais fácil remover o parafuso empurrando o resguardo dianteiro da mão para a frente. De seguida, deslize o supressor de ignição.

Se necessário, limpe o supressor de ignição com uma escova de arame.

Se o supressor de ignição estiver danificado, substitua-o.



Limpeza das peças

Mantenha sempre o motor limpo ao limpar com um pano.

Inspeção dos parafusos e porcas

- Verifique os parafusos e as porcas. Se necessário, aperte-os.
- Verifique se os tampões do combustível e do óleo estão bem apertadas. Inspeccione por fugas de combustível.
- Substitua as peças danificadas por peças novas para um funcionamento seguro.

Guardar a ferramenta

⚠ PRECAUÇÃO:

- O motor ainda está quente após desligar o motor. Ao purgar o combustível, permita tempo suficiente para o motor arrefecer após desligá-lo. Caso contrário, pode resultar em queimaduras e/ou incêndios.
- Quando a máquina não é utilizada durante um longo período, purgue todo o combustível do depósito de combustível e carburador e guarde-a num local seco e limpo.

O óleo biodegradável da corrente da serra apenas pode ser guardado durante um período limitado. Após dois anos da data de fabrico, os óleos biodegradáveis começam a adquirir uma qualidade adesiva e danificam a bomba de óleo e os componentes no sistema de lubrificação.

- Antes retirar a motosserra fora de serviço durante um período mais prolongado, esvazie o depósito de óleo e encha-o com uma pequena quantidade de óleo do motor (SAE 30).

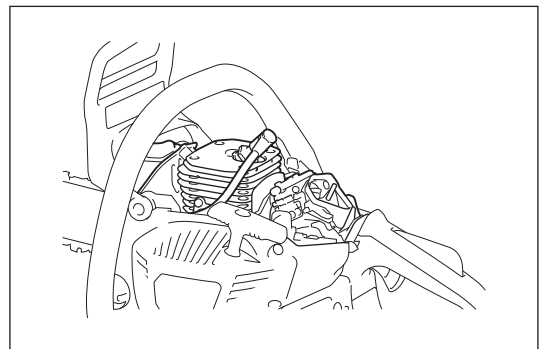
- Coloque a motosserra a funcionar brevemente para esvaziar todos os resíduos de óleo biológico do depósito, sistema de lubrificação e mecanismo de serra.

Guarde a motosserra numa superfície adequada.

Antes voltar a colocar a motosserra em serviço, abasteça com óleo para correntes de serra biodegradável novo.

NOTA:

- Quando a motosserra é retirada de serviço, ocorrem pequenas fugas de óleo da corrente durante algum tempo. Isto é normal e não constitui uma avaria.



INTERVALO DE MANUTENÇÃO

Para uma vida útil longa da ferramenta e para garantir o funcionamento das funcionalidades de segurança, efectue regularmente o trabalho de manutenção.

Item	Tempo de funcionamento	Antes da utilização	Todos os dias	Todas as semanas	A cada 3 meses	Todos os anos	Antes de armazenar
Motosserra	Inspeção.	<input type="radio"/>					
	Limpeza.		<input type="radio"/>				
	Verifique no centro de assistência autorizado.					<input type="radio"/>	
Corrente da serra	Inspeção. / Se necessário, afiação.	<input type="radio"/>					
Barra de guia	Inspeção.	<input type="radio"/>					
Travão da corrente	Verifique a função.	<input type="radio"/>					
	Solicite uma inspeção regularmente num centro de assistência autorizado.				<input type="radio"/>		
Corda do dispositivo de arranque	Inspeção.	<input type="radio"/>					
Lubrificação da corrente	Verifique a velocidade de fornecimento de óleo.	<input type="radio"/>					
Interruptor de combinação	Inspeção.	<input type="radio"/>					
Bloqueio do gatilho do acelerador	Inspeção.	<input type="radio"/>					
Gatilho do acelerador	Inspeção.	<input type="radio"/>					
Tampão do depósito de combustível	Verifique a estanquicidade.	<input type="radio"/>					
Tampão do depósito de óleo	Verifique a estanquicidade.	<input type="radio"/>					
Filtro de ar	Limpeza.		<input type="radio"/>				
Ralenti	A corrente da serra não se move ao ralenti.		<input type="radio"/>				
Espaço do cilindro	Limpeza.			<input type="radio"/>			
Vela de ignição	Inspeção. / Limpeza. / Se necessário, substitua.				<input type="radio"/>		
Supressor de ignição	Inspeção. / Limpeza. / Se necessário, substitua.				<input type="radio"/>		
Silenciador	Verifique a estanquicidade dos parafusos.			<input type="radio"/>			
Retentor da corrente	Inspeção.			<input type="radio"/>			
Parafusos e porcas	Inspeção.			<input type="radio"/>			
Filtro de combustível	Inspeção. / Se necessário, substitua.				<input type="radio"/>		
Depósito de combustível	Vazio.						<input type="radio"/>
Carburador	Usar até esvaziar.						<input type="radio"/>

* Antes de esvaziar o óleo, verifique uma forma adequada de eliminar o óleo usado. Não o deite em sarjetas, no solo de jardins ou em cursos de água. Os regulamentos locais de delimitação de zonas e ambientais irão proporcionar instruções mais detalhadas aquando da eliminação adequada.

RESOLUÇÃO DE PROBLEMAS

Antes de efectuar um pedido para reparações, verifique você mesmo o problema. Para reparações, contacte os centros de assistência autorizados.

Estado da avaria	Causa possível	Solução
A corrente não arranca.	O travão da corrente está accionado.	Solte o travão da corrente.
O motor não arranca.	Avaria da vela de ignição.	Verifique a vela de ignição.
	O depósito de combustível está vazio.	Abasteça o depósito de combustível.
	Problema no fornecimento de combustível.	Verifique se o filtro de combustível não está obstruído.
	Avaria da ferramenta.	Consulte o seu centro de assistência autorizado local para reparação.
Desempenho insuficiente.	O filtro de ar está sujo.	Limpe o filtro de ar. Se necessário, substitua-o.
	O espaço do cilindro está sujo.	Limpe o espaço do cilindro.
	A temperatura ambiente está muito baixa.	Altere a definição do obturador do carburador. Consulte a secção "Prevenção contra a formação de gelo no carburador".
Sem óleo na corrente da serra.	O depósito de óleo está vazio.	Abasteça o depósito de óleo.
	A ranhura da guia de óleo está suja.	Limpe a ranhura.
	O fornecimento de óleo não está bem regulado.	Regule a quantidade de fornecimento de óleo.
	Avaria da bomba de óleo.	Consulte o seu centro de assistência autorizado local para reparação.
A corrente não pára mesmo que o travão da corrente esteja accionado.	Banda do travão gasta.	Pare imediatamente de utilizar a ferramenta e consulte o centro de assistência autorizado local para reparação.
A ferramenta vibra de forma anómala.	Barra de guia ou corrente da serra solta.	Regule a barra de guia e a tensão da corrente da serra.
	Avaria da ferramenta.	Pare imediatamente de utilizar a ferramenta e consulte o centro de assistência autorizado local para reparação.
A corrente não pára quando o motor está ao ralenti.	O ralenti é muito alto.	Corrija o ralenti.
	Embraiagem com defeito.	Pare imediatamente de utilizar a ferramenta e consulte o centro de assistência autorizado local para reparação.

Indhold

Side

Symboler 177
 Sikkerhedsforholdsregler..... 178
 Tekniske data..... 184
 Delenes betegnelser..... 185
 Kædesavens sikkerhedsfunktion..... 186
 Montering..... 188
 Inden brug 191
 Start og stop af motor 193
 Vedligeholdelse 195
 Vedligeholdelsesinterval 200
 Fejlfinding 201

SYMBOLER

	Læs brugsanvisningen og overhold advarsels- og sikkerhedsforholdsreglerne!		Forsigtig, tilbageslag!
	Vær særlig forsigtig og opmærksom!		
	Forbudt!		Kædebremse
	Bær hjelm, øjen- og høreværn!		Hold saven med begge hænder under arbejdet! Det er meget farligt, kun at holde med én hånd!
	Bær arbejdshandsker!		Blanding af benzin og olie
	Rygning forbudt!		Påfyldning af kædeolie/oliepumpe
	Åben ild forbudt!		Skrue til savkædeoliejustering
	Stop motor!		Tipper
	Start motor		Kæderetning
	Kombikontakt, choker TIL/STOP		Førstehjælp

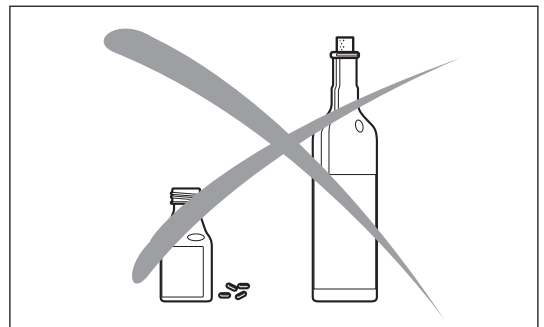
SIKKERHEDSFORHOLDSREGLER

Tilsluttet anvendelse

Denne motoriserede kædesav er kun beregnet til savning af træ udendørs.

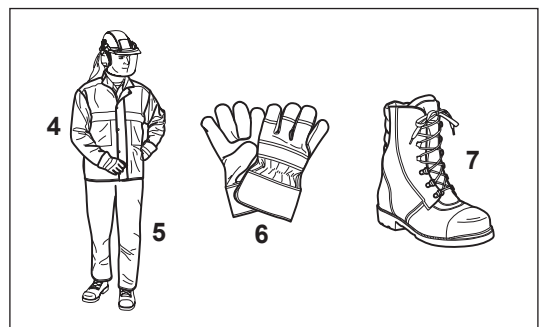
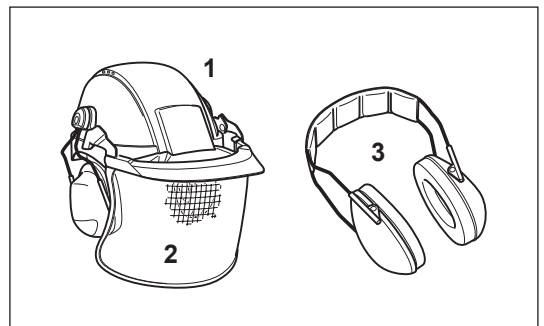
Generelle forholdsregler

- Af sikkerhedshensyn er det absolut nødvendigt at brugeren læser denne brugsanvisning nøje, sådan at han/hun bliver fortrolig med funktionen af kædesaven. Brugere, som ikke kender tilstrækkeligt til anvendelsen, er til fare for dem selv og andre pga. forkert håndtering af saven.
- Det anbefales, at kædesave kun lånes ud til personer, som har erfaring i arbejde med kædesave. Overdrag altid brugsanvisningen.
- Førstegangsbrugere bør bede forhandleren om grundlæggende instrukser for at få kendskab til fremgangsmåden for savning med en kædesav eller endda deltage i et officielt instruktionskursus.
- Børn og personer under 18 år må ikke anvende kædesaven. Personer over 16 må anvende kædesaven til træningsformål så længe de er under opsyn af en kvalificeret underviser.
- Anvend kun kædesaven, hvis du er i god fysisk form. Hvis du er trætt, reduceres din koncentrationsevne. Pas især på sidst på arbejdsdagen. Udfør alt arbejde roligt og forsigtigt. Brugeren har ansvaret for andre.
- Vær opmærksom, fokusér på det du arbejder med, og brug din sunde fornøft ved betjening af en kædesav. Under brug kan et enkelt øjeblik uopmærksomhed medføre alvorlig personskade.
- Arbejd aldrig med kædesaven under påvirkning af alkohol, stoffer eller medicin.
- Lyddæmperen indeholder muligvis kræftfremkaldende kemikalier indeni. Undgå kontakt med disse i tilfælde af at lyddæmperen beskadiges.
- Motorens tændingssystem afgiver elektromagnetiske bølger under anvendelse. Det kan interferere med medicinsk udstyr under visse omstændigheder, samt eventuelt forårsage alvorlig skade på personer med pacemaker. Det anbefales, at personer med pacemaker konsulterer deres læge og pacemakerproducent inden brug af kædesaven.
- Brug ikke en kædesav der muligvis er blevet modificeret.
- Under arbejde i let antændeligt løv eller når det ikke har regnet i lang tid, skal der være en ildslukker og en skovl til rådighed i nærheden (fare for skovbrand).
- Nationale bestemmelser kan begrænse brugen af maskinen. Følg dit lands bestemmelser for brug af kædesave.



Personligt sikkerhedsudstyr

- For at forhindre skader på hoved, øjne, hænder eller fødder såvel som for beskyttelse af hørelsen, skal det følgende anførte sikkerhedsudstyr benyttes under arbejdet med kædesaven:
- Beklædningen skal være hensigtsmæssig, dvs. tætsiddende, men ikke hindrende. Bær ikke smykker eller tøj, der kan sidde fast i buske eller krat. Hvis du har langt hår, skal du altid anvende et hårnet.
- Det er altid nødvendigt at anvende en beskyttelseshjelm under arbejde med kædesaven. Beskyttelseshjelmen (1) skal med jævne mellemrum efterses for skader, og den skal udskiftes mindst hvert 5 år. Brug kun godkendte beskyttelseshjelme.
- Visiret (2) på hjelmen (eller beskyttelsesbrillerne) beskytter mod savflis og afskårne træstykker. For at forhindre øjenskader skal der altid benyttes beskyttelsesbriller eller et visir under arbejdet med kædesaven.
- Anvend passende støjdæmpende anordninger (høreværn (3) ørepropper m.v.). Længere tids udsættelse for støj kan medføre permanent høreskade.
- Sikkerhedsjakken (4) er udstyret med særlige signalfarvede skulderstropper, er behagelig at have på og let at rengøre.
- De beskyttende arbejdsoverall (5) er lavet i af et nylonstof med 22 lag og beskytter mod snitskader. Vi anbefaler på det kraftigste, at de anvendes.
- Arbejdshandsker (6), der er lavet af tykt læder, er en del af det foreskrevne udstyr og skal altid anvendes under arbejdet med kædesaven.
- Der skal altid anvendes sikkerhedssko eller -støvler (7) med skridsikre såler, stålkap og benbeskyttelse under arbejdet med kædesaven. Sikkerhedssko udstyret med et beskyttelseslag yder beskyttelse mod snitskader samt sikrer godt fodfæste.
- Bær beskyttelsesmaske når det er nødvendigt. Længere tids udsættelse for udstødningsgasser, kædeoliedampe og savsmuld kan være til skade for dit helbred.

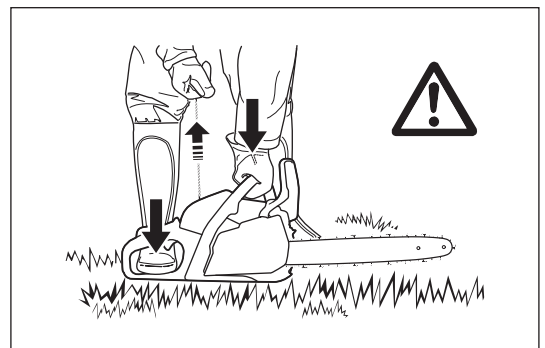
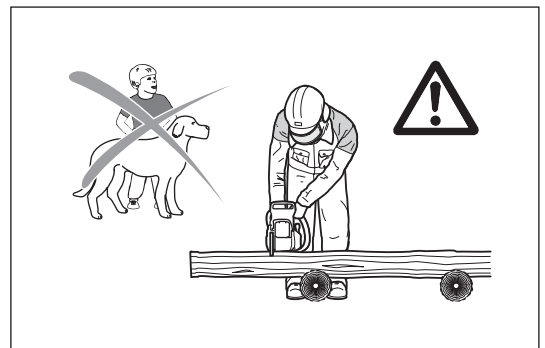
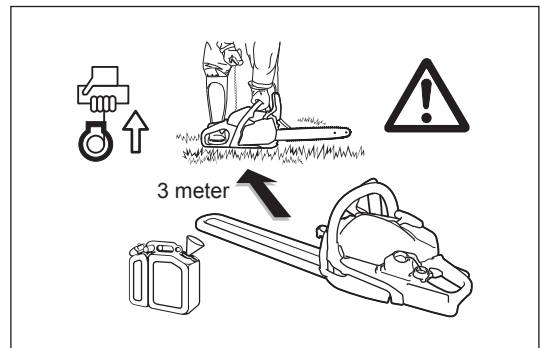


Brændstof/Påfyldning af brændstof

- Stands motoren inden du fylder brændstof på kædesaven.
- Undgå rygning eller arbejde i nærheden af åben ild.
- Lad motoren køle af inden påfyldning af brændstof.
- Brændstoffer kan indeholde substanser, der minder om opløsningsmidler. Øjne og hud bør ikke komme i kontakt med mineralske olieprodukter. Bær altid beskyttelseshandsker under påfyldning af brændstof. Rengør og udskift beskyttelsestøj jævnligt. Indånd ikke brændstofdampe. Indånding af brændstofdampe kan være farligt for dit helbred.
- Spild ikke brændstof eller kædeolie. Hvis du spilder brændstof eller olie, skal du straks rengøre kædesaven. Sørg for, at der ikke kommer brændstof på tøjet. Hvis der kommer brændstof på tøjet, skal du straks skifte tøj.
- Sørg for, at der ikke siver brændstof eller kædeolie ned i jorden (miljøvern). Benyt et passende underlag.
- Påfyldning af brændstof er ikke tilladt i lukkede rum. Der ophobes brændstofdampe nær gulvet (eksplosionsfare).
- Sørg for at stramme skruedækslerne på brændstof- og olietankene.
- Skift placeringssted inden motoren startes (mindst 3 meter væk fra påfyldningsstedet).
- Brændstof kan ikke opbevares i en ubegrænset tidsperiode. Køb kun så meget, som skal bruges inden for et overskueligt tidsrum.
- Anvend kun godkendte og afmærkede beholdere til transport og opbevaring af brændstof og kædeolie. Sørg for, at børn ikke har adgang til brændstof eller kædeolie.

Anvendelse

- **Arbejd ikke alene. Der skal være en anden person i nærheden i nødstilfælde** (inden for hørevidde).
- Sørg for, at der ikke er nogen børn eller andre personer inden for arbejdsområdet. Vær desuden opmærksom på dyr i arbejdsområdet.
- **Før arbejdet med kædesaven begynder, skal man kontrollere, at den fungerer ordentligt og er i forskriftmæssig og driftssikker tilstand. Brug aldrig en kædesav som er defekt.** Kontroller især kædebremstens funktion, korrekt montering af sværdet, korrekt slibning og tilstramning af kæden, fast montering af kædedækslet, nem bevægelse af gaskontakten og funktionen af aflåsningen til gaskontakten, rene og tørre håndtag samt funktionen af kombikontakten.
- Når du taber kædesaven, eller den udsættes for andre stød, skal du straks stoppe anvendelsen og udføre eftersyn for at identificere alvorlige skader eller defekter.
- Anvend kun kædesaven, når den er fuldt samlet. Anvend aldrig kædesaven, hvis den ikke er fuldstændig samlet.
- Kontroller dit personlige sikkerhedsudstyr.
- Kædesaven må kun startes, som det er beskrevet i denne brugsanvisning. Det er ikke tilladt at starte den på andre måder.
- Sikr dig et godt fodfæste, inden du starter kædesaven.
- Når kædesaven startes, skal den være godt understøttet og holdt godt fast. Sværdet og kæden må ikke berøre nogen genstande.
- Kontroller, at der kommer tilstrækkeligt kædeolie til kæden.



Betjening

- **Hold altid på kædesaven med begge hænder under arbejdet.** Hold om det bagerste håndtag med højre hånd og om det forreste håndtag med venstre hånd. Hold godt fast om håndtagene med tommelfingrene pegene mod fingrene.
- **⚠ FORSIGTIG: Når gaskontakten slippes, løber kæden videre et kort stykke tid** (frigangseffekt).
- Sørg for altid at have et solidt fodfæste.
- Hold kædesaven sådan, at du ikke indånder udstødningsgassen. Arbejd ikke i lukkede rum (fare for forgiftning).
- **Sluk straks for kædesaven, hvis du bemærker ændringer i driften.**
- **Motoren skal slukkes inden kontrol af kædestramning, stramning af kæden, udskiftning af kæden eller afhjælpning af funktionsfejl.**
- Når saven rammer sten, søm eller andre hårde genstande, skal du straks slukke for motoren og kontrollere saven.
- Når du stopper arbejdet eller forlader arbejdspladsen, skal kædesaven slukkes og placeres således, at den ikke er til fare for andre.
- **⚠ FORSIGTIG: Læg ikke den meget varme kædesav på tørt græs eller på andre brændbare genstande. Lyddæmperen er meget varm (brandfare).**
- **FORSIGTIG:** Jorden forurenes, hvis der drypper olie fra kæden eller sværdet, efter savkæden er standset. Benyt altid et passende underlag.

Tilbageslag

- Under arbejde med kædesaven kan der forekomme farlige tilbageslag.
- Der opstår tilbageslag, når den øverste del af sværdet uforvarende kommer i kontakt med træ eller andre hårde genstande.
- Dette bevirker, at saven ukontrolleret kastes tilbage mod brugeren med stor kraft.

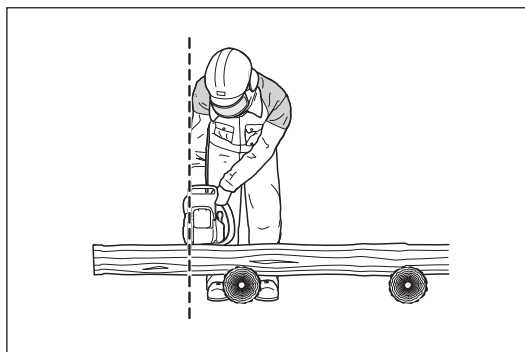
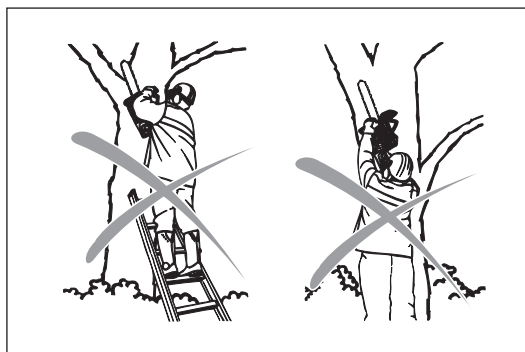
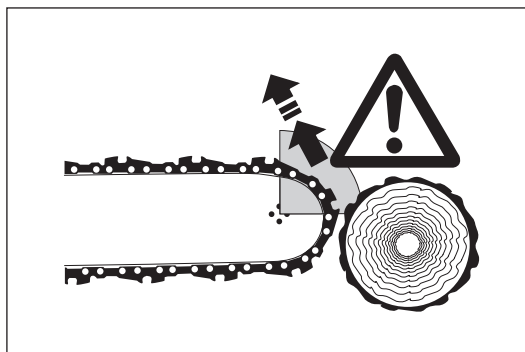
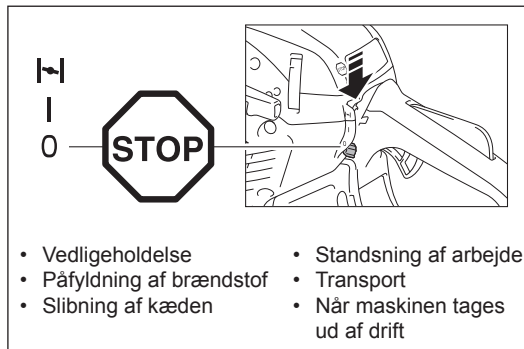
Risiko for personskade!

Overhold følgende regler for at undgå tilbageslag:

- Det er kun særligt-uddannede personer, som må udføre indstiksarbejder, dvs. hvor savspidsen stikkes ind i tømmer eller træ!
- Anvend aldrig enden af sværdet, når du starter et snit.
- Hold altid øje med sværdets ende. Vær forsigtig ved genoptagelse af et allerede påbegyndt snit.
- Kæden skal køre, når du starter på et snit.
- Sørg for, at kæden altid er korrekt slebet. Vær særlig opmærksom på højden af dybdebegrænsningen.
- Sav aldrig igennem flere grene på samme tid. Ved savning af en gren skal du sikre dig, at der ikke røres andre grene.
- Ved oversavning af en træstamme skal man være opmærksom på stammerne ved siden af.

Arbejdsmetoder og -teknik

- Anvend kun kædesaven under gode lys- og sigtforhold. Vær opmærksom på glatte eller våde områder, samt på om der er is eller sne (risiko for at glide). Der er enormt høj risiko for at glide ved arbejde på nybarket træ (bark).
- Arbejd aldrig på ustabile overflader. Vær opmærksom på hindringer i arbejdsområdet og snublefare. Sørg altid for at have et solidt fodfæste.
- Sav aldrig over skulderhøjde.
- Sav aldrig fra en stige.
- Klatr aldrig op i træer med kædesaven for at udføre savearbejde.
- Arbejd ikke mens du læner dig for langt fremover.
- Kædesaven skal føres sådan, at ingen kropsdele befinder sig i forlængelse af savens arbejdsplan.
- Kædesaven må kun anvendes til savning i træ.
- Sørg for at kædesaven ikke kommer i kontakt med jorden, mens den stadig kører.
- Brug ikke kædesaven til at løfte eller fjerne træstykker eller andre genstande med.
- Fjern fremmedlegemer som f.eks. sand, sten og søm, som findes inden for arbejdsområdet. Fremmedlegemer kan beskadige saven og forårsage farlige tilbageslag.
- Benyt et sikkert underlag ved savning af opskåret træ (savbuk). Hold ikke arbejdsmenet roligt med foden og tillad ikke andre at holde eller støtte det.
- Fastgør rund emner så de ikke drejer rundt.

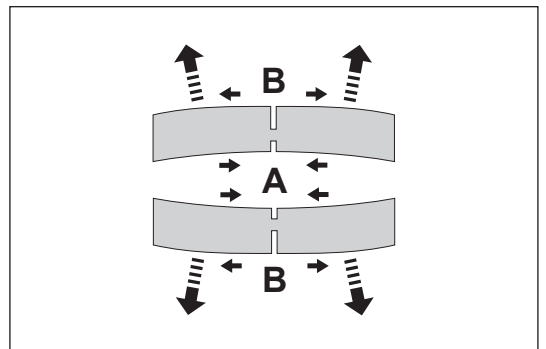
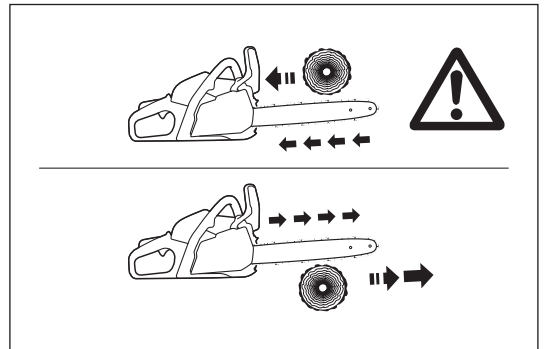
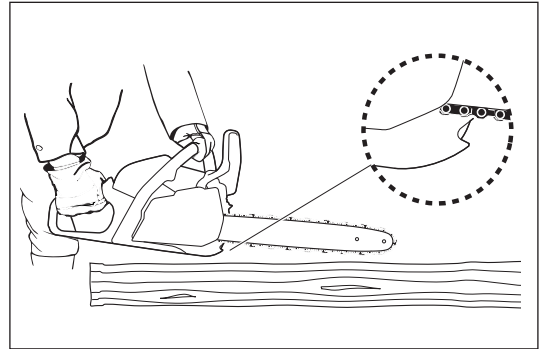
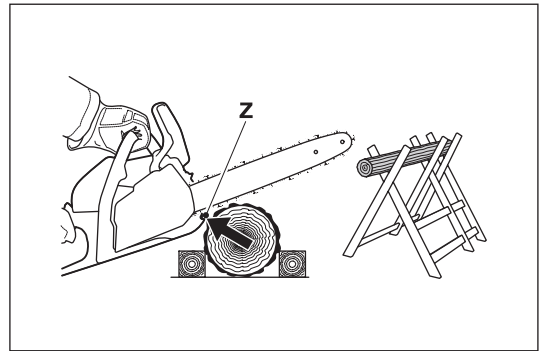


- Ved fældning af træer eller gennemsavninger skal barkstøtten (Z) placeres på det træ, som skal saves.
- Før gennemsavning skal barkstøtten trykkes godt ind mod træet, og først derefter kan træet saves med kørende savkæde. For at gøre dette skal kædesaven holdes op i det bagerste håndtag og styres med det forreste håndtag. Barkstøtten fungerer som et omdrejningspunkt. Fortsæt med et let tryk ned på det forreste håndtag samtidig med, at kædesaven trækkes tilbage. Barkstøtten sættes lidt dybere ned, og det bagerste håndtag løftes op igen.
- Ved foretagelse af stik- eller langsnit anbefales det på det kraftigste, at det kun udføres af faglærte personer (høj risiko for tilbageslag).
- Foretag langsnit - i - længderetningen med den mindst mulige vinkel. Vær meget forsigtig ved udførsel af denne type snit da barkstøtten ikke kan gribe fast.
- Saven skal køre, når du trækker kædesaven ud fra træet.
- Ved udførsel af flere snit skal gaskontakten slippes mellem snittene.
- Vær forsigtig ved savning i træ, der splintrer. Afsavede træstykker kan blive trukket med (risiko for skader).
- Kædesaven kan stødes i brugerens retning, hvis man saver med øverste kant af sværdet, og kæden sætter sig fast. Derfor skal den nederste kant af sværdet altid bruges, når det er muligt. Kædesaven vil i så fald blive skubbet væk fra dig.
- Hvis træet står i spænd, skal der altid først saves fra tryksiden (A). Foretag derefter gennemsavningen på spændsiden (B). På den måde kan klemning af sværdet undgås.

⚠ FORSIGTIG:

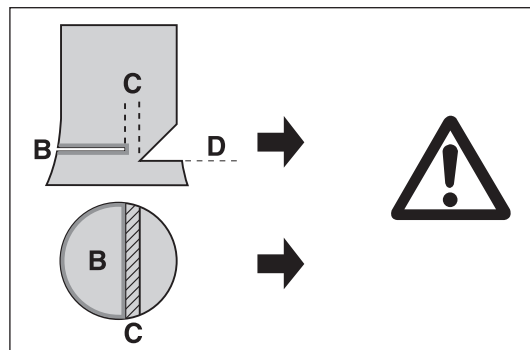
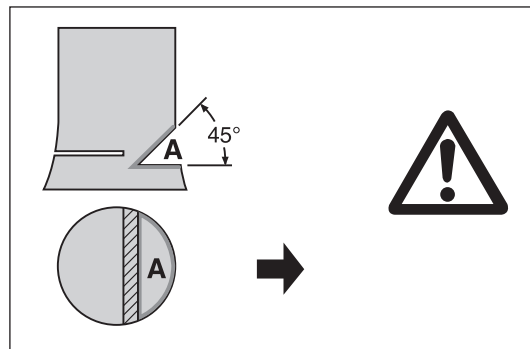
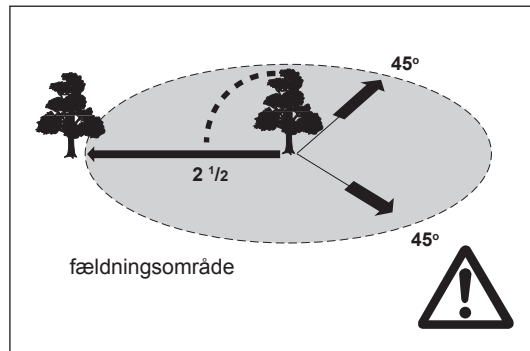
Personer, som fældrer træer eller saver grene af, skal være faglært. Høj risiko for skader!

- Ved afsavning af grene bør kædesaven understøttes på stammen. Anvend ikke enden af sværdet til savning (risiko for tilbageslag).
- Vær opmærksom på grene der står i spænd. Sav ikke frie grene af fra undersiden.
- Stå aldrig på stammen under snit til frigørelse af spænding.



- **Inden man fælder et træ skal man sikre sig at**

- det kun er de personer, som deltager i fældningsarbejdet, der opholder sig i arbejdsområdet.
 - enhver medvirkende arbejder kan forlade området uden at falde over noget (personerne bør forlade området i en bagudgående diagonal retning, dvs. i en vinkel på 45°).
 - den nederste del af stammen er fri for fremmedlegemer, underskov og grene. Sørg for godt fodfæste (snublefare).
 - nærmeste arbejdsområde er mindst 2 1/2 træ længde væk. Før fældningen skal faldretningen kontrolleres, og det skal sikres, at der hverken findes personer eller genstande i en afstand af 2 1/2 træ længde.
- **Vurdering af træet:** Hældningsretning - løse eller tørre grene - højden på træet - naturligt overhæng - er træet råddent?
 - Vær opmærksom på vindretningen og -hastigheden. Hvis der er kraftige vindstød, skal der ikke foretages fældning.
 - **Beskæring af rødder:** Start med den stærkeste rod. Første snit lægges lodret og derefter det vandrette snit.
 - **Indhak i stammen:** Indhakkets (A) bestemmer faldretningen og styrer træet. Indhakkets i stammen lægges således, at det er vinkelret på faldretningen og går 1/3 - 1/5 ind i stammen. Foretag snittet tæt på jorden.
 - Ret indhakkets i hele dets bredde, hvis snittet skal korrigeres.
 - **Fæld træet** ved at save ind over den nederste kant af indhakkets (D). Snittet skal være helt vandret (B). Afstanden mellem snittene (C) skal være cirka 1/10 af stammediameteren.
 - **Materialet mellem de to snit** fungerer som et hængsel. Sav aldrig helt igennem eftersom træets fald så ikke kan styres. Indsæt fældeklær i god tid.
 - Der må kun benyttes fældeklær af plastik eller aluminium. Anvend ikke jernklær. Hvis saven rammer en jernkile, kan kæden blive alvorligt beskadiget eller flænset.
 - Man skal altid opholde sig på siden af det faldende træ, når man fælder træer.
 - Pas på faldende grene, når du trækker sig tilbage efter udførelse af snittet.
 - Ved arbejde på skråninger skal brugeren af kædesaven stå oven over eller langs siden af stammen, som skal saves, eller det tidligere fældede træ.
 - Pas på stammer der eventuelt kommer rullende mod dig.



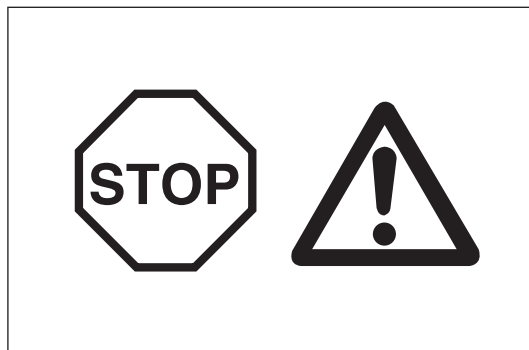
Transport og opbevaring

- Ved skift af ståsted under arbejdet skal kædesaven standses, og kædebremsen aktiveres, for at undgå at kæden pludselig skal starte igen.
- Bær eller transporter aldrig kædesaven, mens kæden kører. Når saven er varm, må den ikke dækkes til (med en presenning, et tæppe, en avis eller lignende). Lad saven køle af, inden den placeres i en opbevaringskasse eller et køretøj. Saven med katalysator behøver længere tid til at køle af!
- Brug kædebeskyttelsesdækslet under transport og opbevaring.
- Kædesaven skal bæres i det forreste håndtag. Sværdet skal vende bagud. Undgå kontakt med lyd-dæmperen (fare for forbrændinger).
- Ved biltransport af kædesaven skal det sikres, at kædesaven ligger ordentligt, sådan at brændstoftækkage, beskadigelse eller tilskadekomst undgås.
- Opbevar kædesaven på et tørt sted. Den må ikke opbevares udendørs. Hold kædesaven væk fra børn.
- Ved langvarig opbevaring eller ved forsendelse af kædesaven skal brændstof- og olietankene tømmes fuldstændig.
- Udfør rengøring og vedligeholdelse inden opbevaring.



Vedligeholdelse

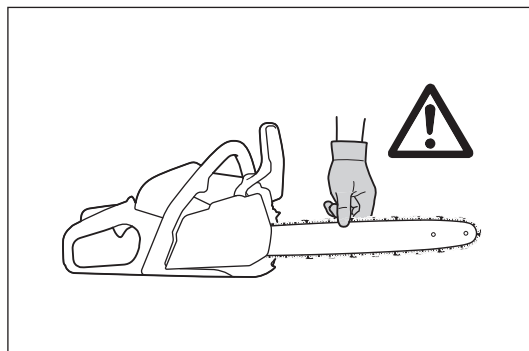
- Sluk for kædesaven inden udførelse af vedligeholdelsesarbejde og træk tændrørshætten af.
- Inden påbegyndelse af arbejde skal betjeningsikkerheden af kædesaven altid kontrolleres, især kædebremsens funktion. Sørg for, at kæden altid er slebet og strammet ordentligt.
- Anvend kun kædesaven så støj- og udstødningsniveau holdes på et minimum. For at sikre dette, skal karburatoren justeres korrekt.
- Rengør regelmæssigt kædesaven.
- Kontroller jævnligt, at tankdækslet er strammet til.
- Overhold vejledningerne angående ulykkesforebyggelse som udgives af brancheforeninger og forsikringsfirmaer.
- Udfør ikke nogen ændringer på kædesaven. Du vil udsætte dig selv for fare.
- Udfør kun det vedligeholdelses- og reparationsarbejde, der er beskrevet i brugsanvisningen. Alt andet arbejde skal udføres af et Dolmar-servicecenter.
- Anvend kun originale Dolmar-reservedele og tilbehør.
- Hvis der benyttes andet end originale Dolmar-reservedele eller tilbehør, eller sværd/kæde-kombinationer eller -længder som ikke er godkendte, er der en forøget risiko for uheld. Vi kan ikke påtage os noget ansvar for uheld eller skader opstået pga. anvendelse af saveudstyr og tilbehør, som ikke er godkendt.



Vibration

Personer med dårligt blodomløb, der udsættes for kraftige vibrationer, risikerer beskadigelse af blodkar eller nervesystemet. Vibrationer kan medføre følgende symptomer i fingre, hænder eller håndled: Leddet "sover" (følelsesløshed), prikken, smerte, stikken, ændring af hudfarven eller af huden.

Søg læge, hvis nogle af disse symptomer opstår! For at reducere risikoen for hvide fingre pga. vibrationer skal du holde hænderne varme, anvende handsker og sørge for at savkæden er skarp.



Førstehjælp

I tilfælde af en ulykke skal du sørge for at have en førstehjælpskasse i nærheden af det sted, hvor du udfører skærearbejde. Erstat straks de ting der benyttes fra førstehjælpskassen.

Oplys venligst følgende hvis du tilkalder hjælp:

- Sted for ulykke
- Hvad der er sket
- Antallet af tilskadede personer
- Hvilke skader det drejer sig om
- Dit navn



Kun for lande i Europa

EF-overensstemmelseserklæring

EF-overensstemmelseserklæringen er inkluderet som appendiks A til denne betjeningsvejledning.

TEKNISKE DATA

Model		PS-352	PS-352 TLC
Længde i alt (uden sværd)	mm	388	
Nettovægt	kg	4,2	
Slagvolumen	cm ³	35,2	
Boring	mm	38	
Slaglængde	mm	31	
Maks. effekt ved omdrejningstal	kW/min ⁻¹	1,7/10.000	
Maks. drejningsmoment ved omdrejningstal	Nm/min ⁻¹	2,0/7.000	
Omdrejningstal ved tomgang/maks. motoromdrejninger med sværd og kæde	min ⁻¹	2.900/13.500	
Omdrejningstal ved indkobling	min ⁻¹	4.100	
Karburator	Type	Membran	
Tændrør	Type	NGK BPMR 8Y	
Elektrodeafstand	mm	0,7	
Brændstoftankvolumen	cm ³	310	
Kædeolietankvolumen	cm ³	260	
Blandingsforhold (brændstof/totaktolie) Original Dolmar-olie eller kvalitetsgrad JASO FC (ISO EGC) eller over		50:1	
Kædebremse		Aktiveres manuelt eller ved tilbagekast.	
Kædehastighed	m/s	25,3	
Tandafstand på kædehjul	mm (tommer)	0,95 (3/8)	
Antal tænder	Z	6	
Lydniveau på arbejdspladsen L _{PA, eq} iht. ISO 22868 ¹⁾	dB (A)	99	
	K _{PA}	2,5	
Lydeffektniveau L _{WA, FI + Ra} iht. ISO 22868 ²⁾	dB (A)	111	
	K _{WA}	2,5	
Svingningsacceleration a _{nv, eq} iht. ISO22867 ¹⁾	forreste håndtag	m/s ²	3,3
		K	2,0
	bageste håndtag	m/s ²	3,4
		K	2,0

1) Tallene er udledt i lige grad fra tomgang, fuld belastning og højeste hastighed.

2) Tallene er udledt i lige grad fra fuld belastning og højeste hastighed.

- På grund af vores løbende forsknings- og udviklingsprogram kan specifikationerne heri ændres uden forudgående varsel.
- Specifikationerne kan variere fra land til land.

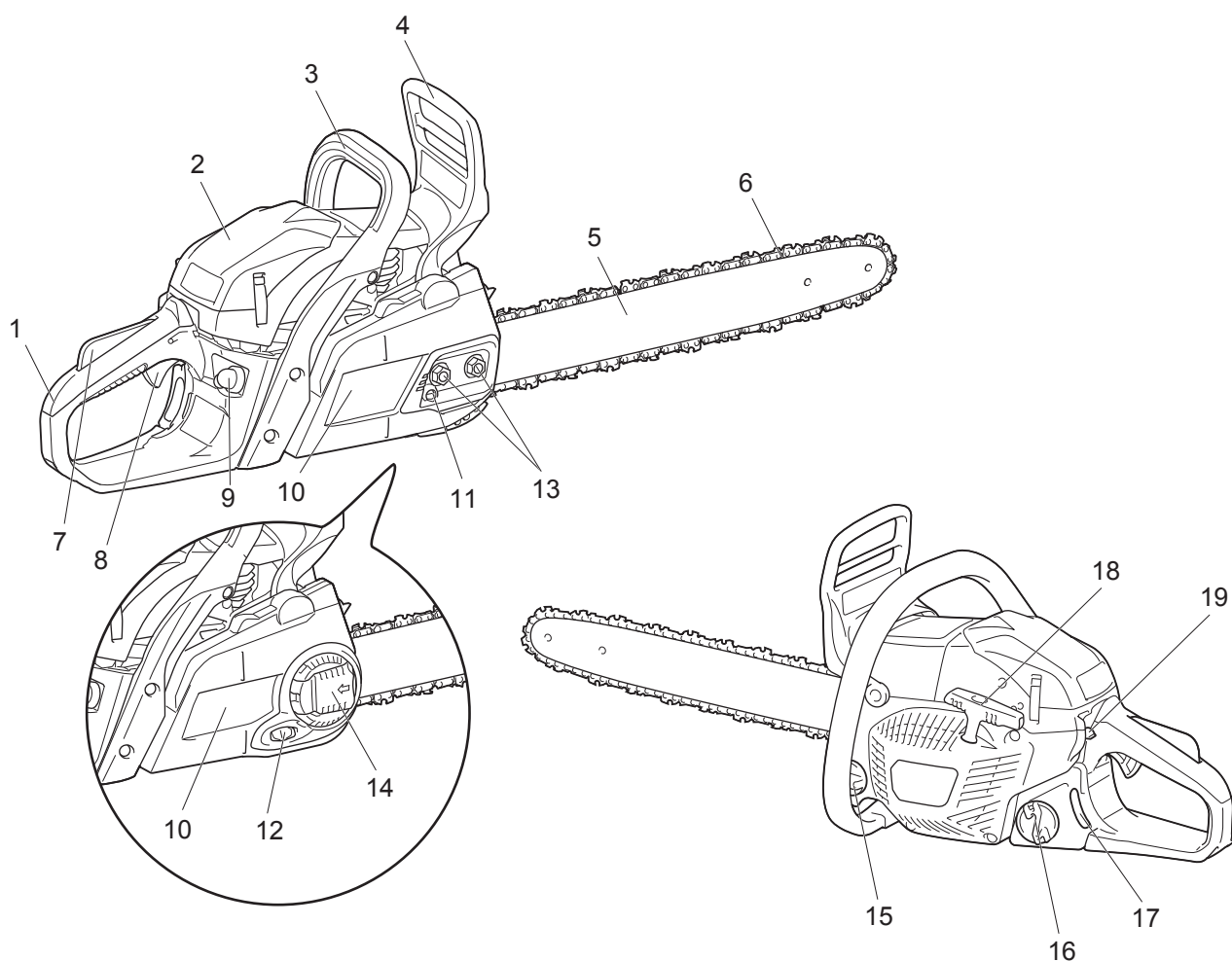
Sværd og savkæde

Sværdtype		Kædehjulssværd	
Længde		350 mm	400 mm
Skærelængde		325 mm	360 mm
Savkæde	Type	492 (91PX)	
Tandafstand		3/8"	
Dybdemål		1,3 mm (0,05")	
Antal drivled		52	56

⚠ ADVARSEL:

Brug korrekt kombination af sværd og savkæde. Ellers kan det medføre personskaade.

DELENES BETEGNELSER



Delenes betegnelser	
1	Bageste håndtag
2	Luffilterdæksel
3	Forreste håndtag
4	Forreste håndbeskytter
5	Sværd
6	Savkæde
7	Aflåsning til gaskontakt
8	Gaskontakt
9	Brændstofpumpe (tipper)
10	Kædedæksel
11	Kædejusteringsskrue
12	Kædejusteringsknap
13	Fastspændingsmøtrikker
14	Håndtag
15	Olietankdæksel
16	Brændstoftankdæksel
17	Brændstofmåler
18	Starthåndtag
19	Kombikontakt

KÆDESAVENS SIKKERHEDSFUNKTION

⚠ ADVARSEL:

- Følgende sikkerhedsfunktioner garanterer IKKE beskyttelse mod tilskadekomst til alle tider. **Kun korrekt brug og teknik kan reducere risikoen for tilbageslag og andre farlige ulykker.**
- Kontroller altid sikkerhedsfunktionerne inden brug.
- Hvis kædesaven dumper kontrollen, skal motoren straks slukkes, og kædesaven må IKKE anvendes. Kontakt et Dolmar-autoriseret servicecenter.

Kædebremse

Kædebremsen er designet til at stoppe kæden fuldstændig inden for en brøkdelt af et sekund. Den aktiveres, når tilbageslaget er tilstrækkeligt kraftigt.

For at aktivere kædebremsen manuelt skal du trykke den forreste håndbeskytter fremad (frem mod spidsen af saven) med din venstre hånd.

For at frigøre kædebremsen skal du trække den forreste håndbeskytter tilbage (mod dig selv).

BEMÆRK:

- Accelerer ikke motoren, mens kædebremsen er aktiveret (undtagen ved afprøvning).
- Frigør altid kædebremsen inden anvendelsen startes.

Kontrol af kædebremsen

1. Kør motoren i tomgangshastighed.
2. Hold kædesaven med begge hænder. Hold det bageste håndtag med højre hånd og det forreste håndtag med venstre hånd. Sørg for, at sværdet og kæden ikke er i kontakt med nogen andre genstande.
3. Tryk på den forreste håndbeskytter med bagsiden af hånden, indtil kædebremsen aktiveres.
4. Øg hastigheden indtil motoren når fuld hastighed i mindre end 3 sekunder. Sikr dig, at savkæden ikke flytter sig overhovedet.
5. Sæt motoren tilbage i tomgang og frigør kædebremsen.

Kontrol af bremsebåndet

Bremsebåndet befinder sig på bagsiden af kædehjulsdækslet. Kædebremsen slides med tiden. Få den kontrolleret og eftersat på et Dolmar-autoriseret servicecenter mindst hver 3. måned.

Aflåsning til gaskontakt

Bremsebåndet befinder sig på bagsiden af kædedækslet. Du kan kun trykke gaskontakten ind, når aflåsningen til gaskontakten er trykket ind (dvs. når du griber om håndtaget).

Kontrol af aflåsningen til gaskontakten

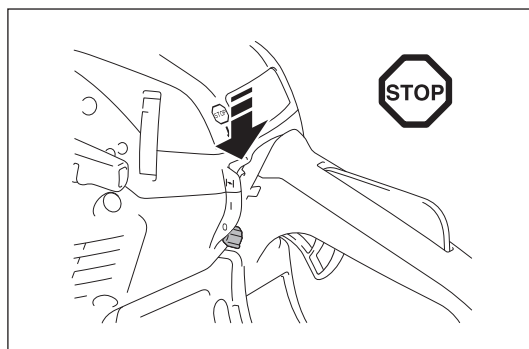
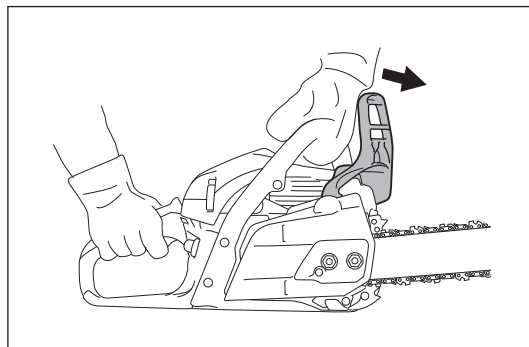
Kontroller at aflåsningen til gaskontakten vender tilbage til den oprindelige position, efter din hånd har sluppet det bageste håndtag.

Motorstop

Sikr dig, at motoren stopper, når du ønsker det.

Kontrol af motorstop

Start motoren. Slip derefter gaskontakten og tryk kombikontakten ned på den nederste position (O).

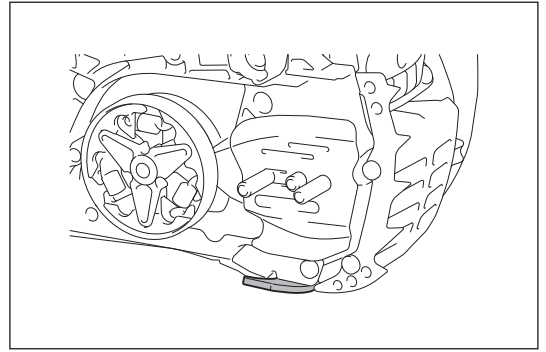


Kædefanger

Kædefangeren er designet til at fange kæden, hvis savkæden skulle hoppe af sværdet. Savkæden bør ikke hoppe af, hvis den er ordentligt tilspændt. Kontroller altid og juster spændingen af savkæden i henhold til denne brugsanvisning.

Kontrol af kædefanger

Kontroller, at kædefangeren ikke er beskadiget og sidder ordentligt fast på maskinhuset.



MONTERING

⚠ ADVARSEL:

- Inden du udfører noget arbejde på sværdet eller savkæden skal du altid slukke for motoren, og sikre dig at skæreværktøjet er stoppet.
- Bær altid beskyttelseshandsker.

⚠ FORSIGTIG:

- Kædesaven må først startes, når den er fuldt monteret og efterset.

Montering af sværd og savkæde

BEMÆRK:

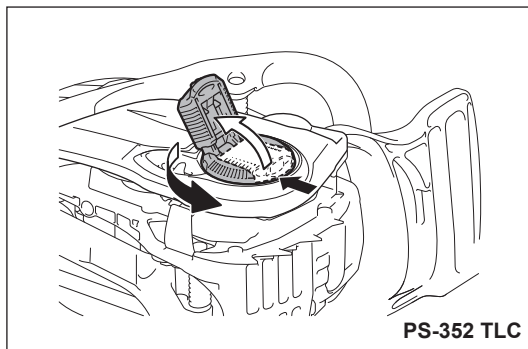
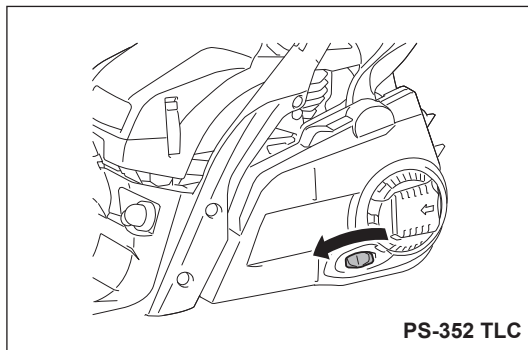
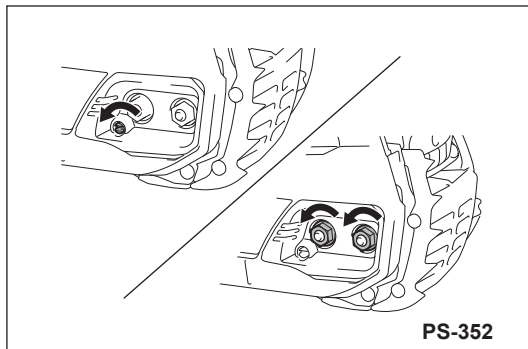
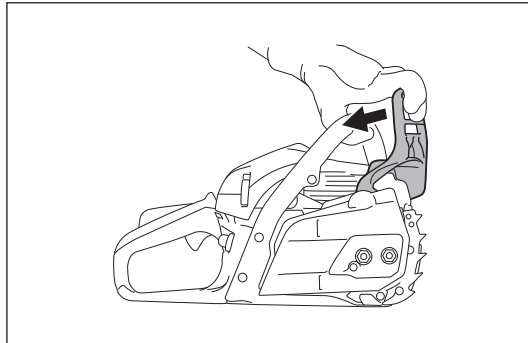
- Montering og afmontering af savkæden bør foretages på et rent sted, der er frit for savsmuld og andet snavs.

Placer kædesaven på en stabil overflade og udfør de følgende trin:

1. Frigør kædebremsen ved at trække i den forreste håndbeskytter.
2. Løsn kædestramningen fuldstændig.
3. (På model PS-352) Skru fastspændingsmøtrikkerne af.
(På model PS-352 TLC) Tryk og åbn håndtaget helt op indtil det stopper. Drej håndtaget mod urets retning.
4. Fjern kædedækslet.

BEMÆRK:

- Du kan ikke fjerne kædedækslet uden at frigøre kædebremsen.



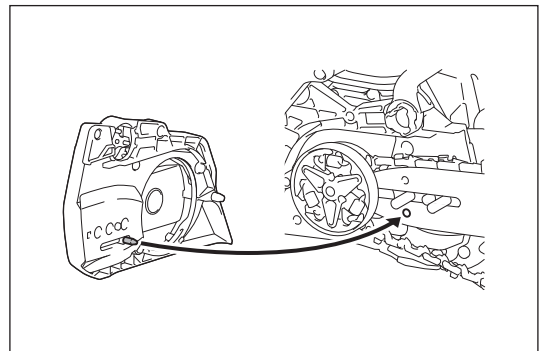
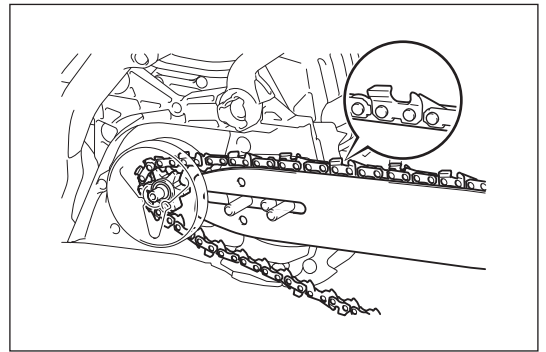
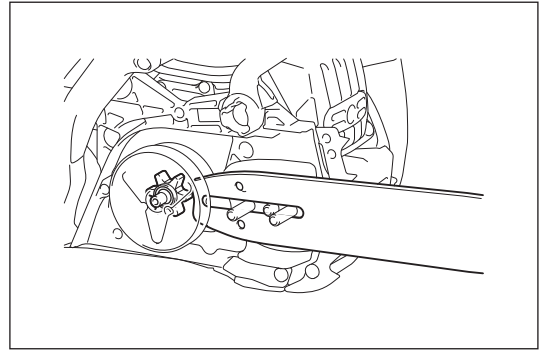
5. Placer sværdet over sværdboltene.
6. Kontroller savkædens retning. Pilene på savkæden skal pege i den samme retning som pilen på savens hus.
7. Sæt først savkæden på kædehjulet, og placer derefter savkæden på sværdets spids.
8. Placer kædedækslet så justeringssplitten kommer på hullet på sværdet.

BEMÆRK:

- Løft savkæden over kædefangeren.
9. (På model PS-352) Stram fastspændingsmøtrikkerne for at fastgøre kædedækslet, og løsn dem derefter en smule af hensyn til stramningsjustering. (På model PS-352 TLC) Drej håndtaget med uret for at fastgøre kædedækslet, og løsn dem derefter en smule af hensyn til stramningsjustering.
 10. Juster savkædens stramning. (Se afsnittet "Justering af savkædens stramning" trin 3 og derefter.)

BEMÆRK:

- For at opnå et ensartet slid af sværdet skal det vendes om, når kæden udskiftes.



Justering af savkædens stramning

⚠ FORSIGTIG:

- En meget løs savkæde kan muligvis hoppe af sværdet og udgør derfor en ulykkesrisiko. Hvis savkæden er for løs, skal den justeres.
- Hvis savkæden strammes for meget, kan det medføre, at savkæden knækker, slid på sværdet og beskadigelse af justeringsskruen/knappen.

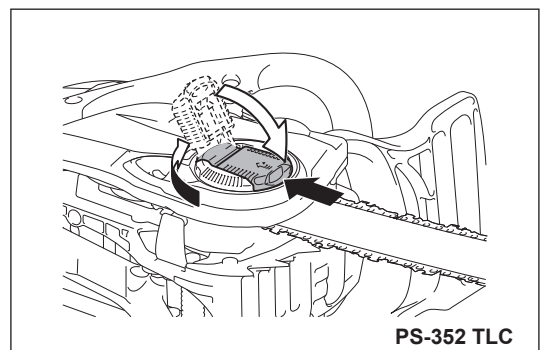
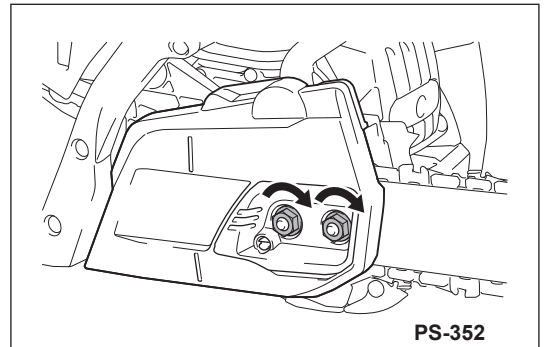
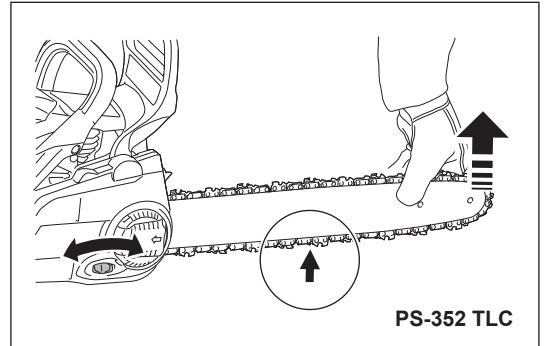
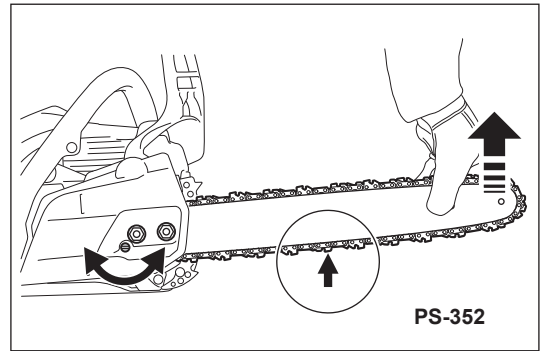
Savkæden kan blive løs, når den har været brugt i mange timer. Når du skifter savkæden eller efter nogle timers arbejde, skal du kontrollere savkædens stramning inden brug. En korrekt justeret savkæde er med til at give en god ydelse og lang levetid af maskinen.

Stramningen af kæden af korrekt, hvis kæden hviler mod undersiden af sværdet og stadig nemt kan drejes rundt med håndkraft.

Kontroller kædestramningen hyppigt, nye kæder har tendens til at blive længere under brug.

For at justere stramningen af savkæden skal du udføre den følgende procedure:

1. Frigør kædebremsen ved at trække i den forreste håndbeskytter.
2. (På model PS-352) Skru fastspændingsmøtrikkerne en smule ud for at løsne kædedækslet.
(På model PS-352 TLC) Tryk og åbn håndtaget helt op indtil det stopper. Drej håndtaget en smule mod urets retning for at løsne kædedækslet.
3. Løft sværdspidsen en lille smule op og hold den.
4. (På model PS-352) Drej kædejusteringsskruen for at justere savkædens stramning.
(På model PS-352 TLC) Drej kædejusteringsknappen for at justere savkædens stramning.
5. Juster kædestramningen indtil den nederste side af savkæden passer ind i sværdskinnen (se cirklen på figuren).
Under justering af kædens stramning skal spidsen på sværdet holdes oppe.
6. Bliv ved med at holde let i sværdet og stram kædedækslet, efter du har justeret kædespændingen.
(På model PS-352) Stram fastspændingsmøtrikkerne for at fastgøre kædedækslet.
(På model PS-352 TLC) Drej håndtaget fuldstændig i urets retning for at fastgøre kædedækslet. Tryk og luk derefter håndtaget.
7. Sørg for at savkæden ikke er løs på den nederste side, men sidder tæt op mod sværdets nederste side.



ADVARSEL:

- UNDGÅ HUD- OG ØJENKONTAKT. Mineralske olieprodukter fjerner fedtet fra din hud. Hvis huden gentagne gange kommer i kontakt med disse stoffer og i længere tid af gangen, kan det medføre tør hud. Det kan resultere i forskellige hudsygdomme. Desuden kan der opstå allergiske reaktioner. Øjnene kan blive irriterede ved kontakt med olie. Hvis du får olie i øjnene, skal du straks vaske dem med rent vand. Hvis dine øjne stadig er irriterede, skal du straks opsøge en læge.

Brændstof

FORSIGTIG:

- Vær særlig forsigtig ved håndtering af benzin.
- Undgå rygning. Hold maskinen væk fra åben ild, gnister eller bål (eksplosionsfare).

Brændstofblanding

Denne maskine drives af en -højtydende luftafkølet totaktsmotor. Den kører på en blanding af benzin og totaktsmotorolie.

Motoren er designet til brug med almindelig blyfri benzin med en min. oktanværdi på 91 RON (89 AKI), og et ethanolindhold på op til maks. 10%. Hvis en sådan slags benzin ikke er til rådighed, kan du anvende benzin med en højere oktanværdi. Dette har ingen effekt ikke motoren.

For at opnå en optimal motorydelse og for at beskytte dit helbred og miljøet, skal du kun anvende blyfrit brændstof.

For at smøre motoren skal du anvende syntetisk olie til luftafkølede totaktsmotorer (original Dolmar-olie eller kvalitetsgrad JASO FC (ISO EGC) eller over). Bland motorolie med brændstof.

FORSIGTIG:

- Brug ikke færdigblandet brændstof fra tankstationer.
- Korrekt blandingsforhold: 50:1 dvs. bland 50 dele benzin med 1 del olie.

BEMÆRK:

- For at lave blandingen af brændstof-olie skal du først blande hele oliemængden med halvdelen af det nødvendige brændstof, og derefter tilføje det resterende brændstof. Ryst blandingen godt inden du hælder den ind i tanken på kædesaven.

Tilføj ikke mere motorolie end specificeret. Forkert blandingsforhold af olie medfører flere forurenende forbrændingsrester. Det medfører også tilstopning af udstødningskanalen i cylinderen og lyddæmperen, samt forårsager dårlig ydelse og stort brændstofforbrug.

Opbevaring af brændstof

Brændstof kan kun opbevares i en begrænset tidsperiode. Brændstofblandinger forældes via fordampning, især ved høje temperaturer. Forældet brændstof og brændstofblandinger kan medføre startproblemer og beskadigelse af motoren. Køb kun den mængde brændstof som skal bruges i løbet af de næste par måneder. Ved høje temperaturer bør brændstof, som er blevet blandet, anvendes inden for 6-8 uger.

Opbevar kun brændstof i korrekte beholdere på tørre, kølige og aflukkede steder.

Kædeolie

Til smøring af kæden og sværdet skal der anvendes olie med adhæsionsmiddel. Adhæsionsmidlet forhindrer at olien slynges for hurtigt af kæden.

Vi anbefaler brug af original kædeolie fra Dolmar, eller kædeolie som er biologisk nedbrydelig af hensyn til beskyttelse af miljøet. Brug af biologisk nedbrydelig olie kan desuden også være påbudt i de lokale bestemmelser.

Biologisk nedbrydelig olie har begrænset holdbarhed. Brug den inden for 2 år fra den anviste produktionsdato (trykt på beholderen).

Vigtig bemærkning om biologisk nedbrydelige savkædeolier

Hvis saven ikke skal anvende igen i en længere periode, skal olietanken tømmes, og der skal fyldes lidt almindeligt motorolie (SAE 30) på, hvorefter saven skal køre et lille stykke tid. Dette er nødvendigt for at få det resterende biologisk nedbrydelige olie ud fra olietanken, kæden og sværdet, eftersom mange sådanne olier har tendens til at efterlade klæbende rester, der med tiden kan beskadige oliepumpen eller andre dele.

BRUG ALDRIG SPILDOLIE

Spildolie er meget miljøskadelig.

Spildolie indeholder store mængder af kræftfremkaldende stoffer.

Rester i spildolien medfører voldsom slitage af oliepumpen og saven.

Ved skader som følge af brug af spildolie eller anden uegnet kædeolie, bortfalder produktgarantien.

Påfyldning af brændstof og genopfyldning af kædeolie

⚠ ADVARSEL:

- OVERHOLD SIKKERHEDSFORHOLDSREGLERNE. Vær forsigtig og varsom ved håndtering af brændstoffer.
- Sluk for motoren.

⚠ FORSIGTIG:

- Rengør tankdækslet om området omkring tanken efter påfyldning af brændstof. Påfyld brændstof eller genopfyld kædeolie som følger:
1. Rengør omhyggeligt rundt om dækslerne for at undgå, at der kommer skidt i brændstof- eller olietanken.
 2. Skru dækslet af og fyld hver tank med henholdsvis brændstof (brændstof-/olieblanding) og kædeolie.
 3. Fyld op til den nederste kant af påfyldningsstuds. Pas på ikke at spilde brændstof eller kædeolie!
 4. Stram tankdækslerne til med hånden, så langt de kan komme.

Smøring af kæden

⚠ ADVARSEL:

- Kontroller kun kædeolietanken, når motoren er slukket. Sørg for at der er tilstrækkelig kædeolie i kædeolietanken, så kæden smøres ordentligt under anvendelsen. Ved medium olietilførselshastighed svarer olietankens kapacitet nogenlunde til driftstiden på en tank brændstof. Inden brug eller påfyldning af brændstof skal du kontrollere olieniveauet og genopfylde om nødvendigt.

Justering af kædesmøringen

⚠ ADVARSEL:

- Sluk for motoren.
- Du kan justere oliepumpens tilførselshastighed med justeringsskruen. Der er tre tilførselshastigheder for oliepumpen, dvs. høj, mellem eller lav. Justeringsskruen er placeret i bunden af kædesaven. Brug en skruetrækker og juster olieeffremførmængden korrekt.

Rengøring af olietransportsporet

For at opretholde en sikker oliepumpefunktion skal olietransportsporet ved huset og olietilførselshullet i sværdet rengøres regelmæssigt.

Kontrol af kædesmøringen

⚠ FORSIGTIG:

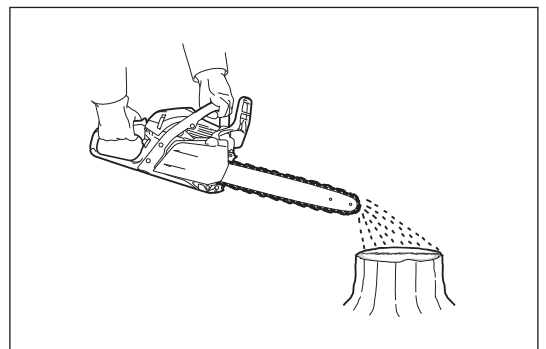
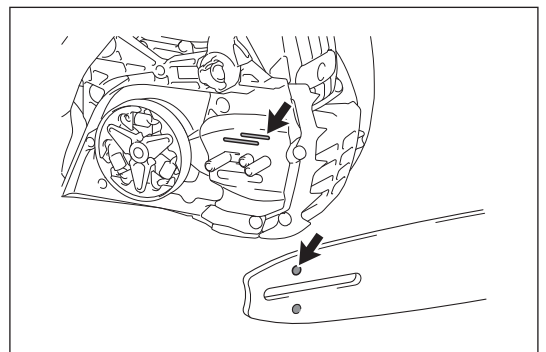
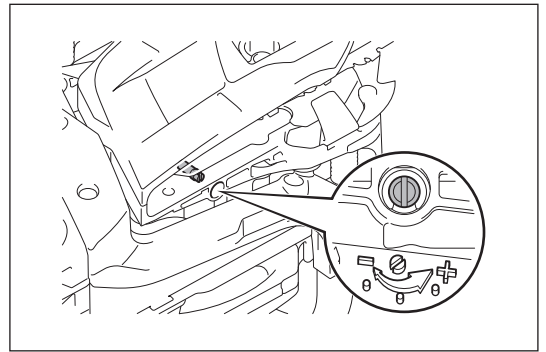
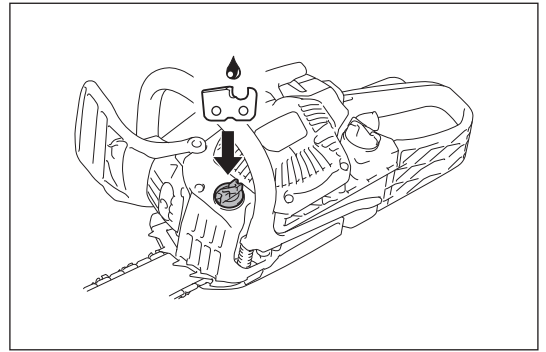
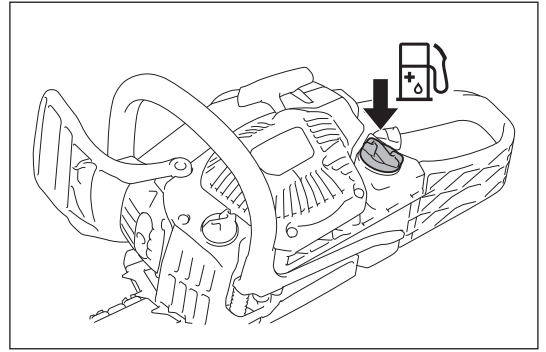
- Arbejd aldrig med kædesaven uden tilstrækkelig kædesmøring. Ellers forkortes levetiden for savkæden og sværdet.
- Før arbejdet påbegyndes, skal olieniveauet i tanken kontrolleres samt olietilførslen.
- Vær opmærksom på vindretningen og undgå unødvendig kontakt med oliesprøjt.

Sådan kontrolleres olietilførslen:

1. Start kædesaven.
2. Hold den kørende kædesav cirka 15 cm (6") over en stamme eller jorden (brug et passende underlag).
3. Hvis smøringen er tilstrækkelig, kan du se lyse oliespor, da olien spredes ud over kæden.

BEMÆRK:

- Efter kædesaven er slukket, er det normalt, at der drypper olie fra olietilførselssystemet, sværdet og kæden i et stykke tid. Dette er ikke tegn på en defekt. Placer saven på et passende underlag.



START OG STOP AF MOTOR

⚠ ADVARSEL:

- Start ikke motoren før kædesaven er helt samlet og eftersat.

⚠ FORSIGTIG:

- Flyt mindst 3 meter (10 fod) væk fra det sted, hvor der påfyldes brændstof på kædesaven.
- Sikr dig, at du har et ordentligt fodfæste og placer saven på jorden.
- Sikr dig, at sværdet og savkæden ikke er i berøring med noget.
- Husk at aktivere kædebremsen inden motoren startes.

BEMÆRK:

- Træk aldrig snoren maksimalt ud.
- Før starthåndtaget stille og roligt tilbage ind i maskinens hus. Ellers kan et sluppet starthåndtag muligvis ramme din krop, eller det kører muligvis ikke ordentligt tilbage.
- Motoren skal straks sættes i tomgang efter start. Hvis ikke, kan koblingen tage skade, forhør dig hos et autoriseret servicecenter.

Start af motoren

1. Aktiver kædebremsen (lås).
2. Hold godt fast i det forreste håndtag med venstre hånd og tryk kædesaven ned mod jorden.
3. Hold den bageste håndbeskytter nede med din højre fod.
4. Start motoren i henhold til motorforholdene som følger.

Koldstart

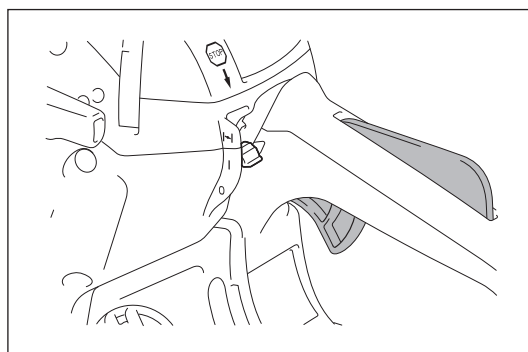
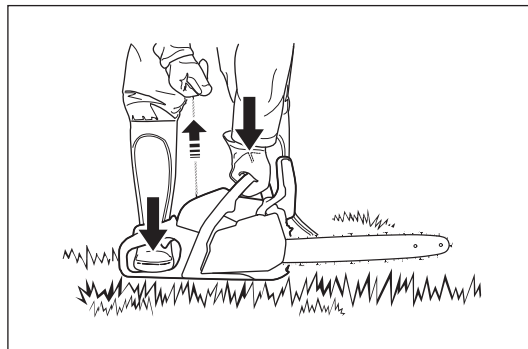
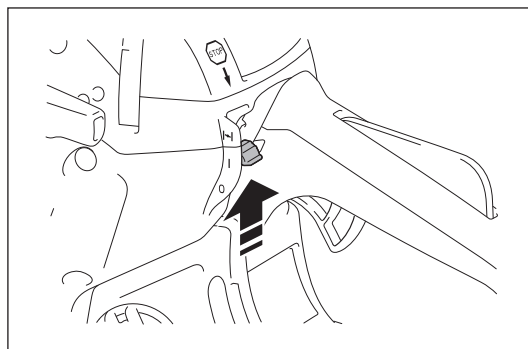
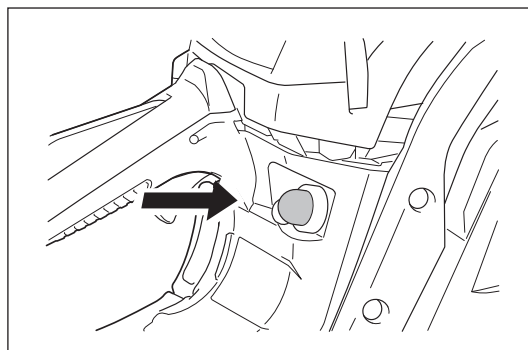
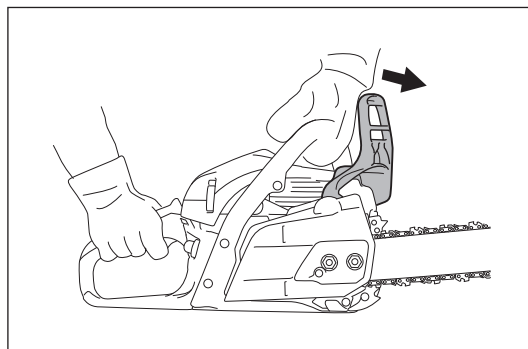
Når motoren ikke har været anvendt lige inden start, skal de følgende trin udføres:

1. Tryk adskillige gange på tipperen indtil der kommer brændstof ind i tipperen. (Der behøves generelt 7 til 10 tryk.)
2. Flyt kombikontakten op (choker-position). Dette aktiverer også halv-kraft-låsen.
3. Træk langsomt i starthåndtaget indtil der føles trykspænding. Træk derefter hårdt i det. Der behøves muligvis to til fire forsøg, før motoren tænder.
4. Så snart motoren tænder, flyttes kombikontakten hen på mellempositionen (I). Træk derefter hårdt i starthåndtaget igen, indtil motoren begynder at køre.
5. Grib fat om det bageste håndtag (aflåsningsen til gaskontakten udløses ved hjælp af grebet) og tryk en lille smule ind på gaskontakten, og slip den.
6. Frigør kædebremsen.

Varmstart

Når motoren har været anvendt lige inden start, og stadig er varm, skal de følgende trin udføres:

1. Tryk adskillige gange på tipperen indtil der kommer brændstof ind i tipperen. (Der behøves generelt 7 til 10 tryk.)
2. Flyt kombikontakten op (choker-position) og derefter tilbage til mellempositionen (I).
3. Træk langsomt i starthåndtaget indtil der føles trykspænding. Træk derefter hårdt i det. Der behøves muligvis to til fire forsøg, før motoren starter. Hvis motoren ikke starter, skal trinene for koldstart udføres (se afsnittet "Koldstart"). Så snart motoren begynder at starte, skal du gribe fat om det bageste håndtag (aflåsningsen til gaskontakten udløses ved hjælp af grebet) og trykke en lille smule ind på gaskontakten, og derefter slippe den.
4. Frigør kædebremsen.

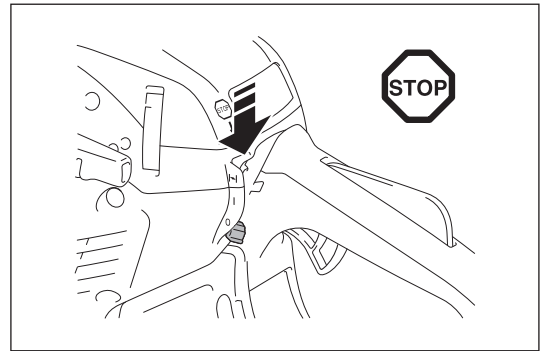


Standning af motoren

Slip gaskontakten og tryk derefter kombikontakten ned på den nederste position (O).

Kombikontakten vender automatisk tilbage til positionen (I). Motoren stopper, når denne kontakt slås fra, men den er klar til at starte.

For at slukke for tændingsstrømmen trykkes kombikontakten helt ned forbi modstandspunktet for at låse den på positionen (O).



Justering af tomgangshastighed

⚠ ADVARSEL:

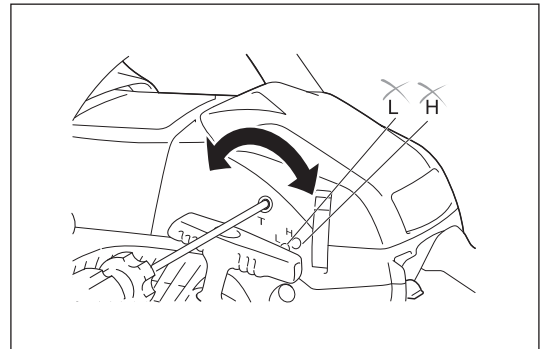
- Juster ikke tomgangshastigheden før kædesaven er helt samlet og eftersat.
- Hvis savkæden stadig flytter sig ved tomgangshastighed, selv efter justering, skal brugen af kædesaven straks indstilles, og den skal indbringes til et Dolmar-autoriseret servicecenter for reparation.

⚠ FORSIGTIG:

- Juster ikke skrueene (H) og (L) på illustrationen.
- Hvis savkæden flytter sig under tomgang uden tryk på gaskontakten, er det nødvendigt at justere tomgangshastigheden.

Juster tomgangshastigheden som følger:

1. Start og varm motoren op i to eller tre minutter, men kør ikke motoren ved høj hastighed.
2. For at reducere tomgangshastigheden skal du dreje justeringsskruen mod urets retning.
3. For at forøge tomgangshastigheden skal du dreje justeringsskruen i urets retning.
4. Sørg for at savkæden ikke kører ved tomgangshastighed.



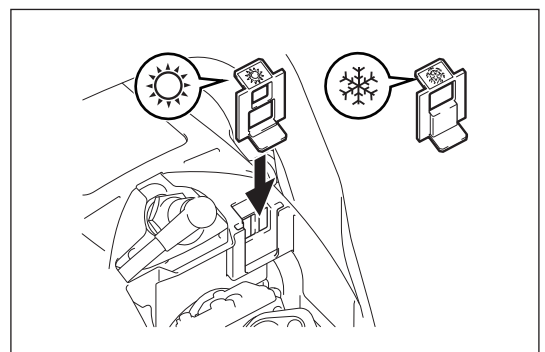
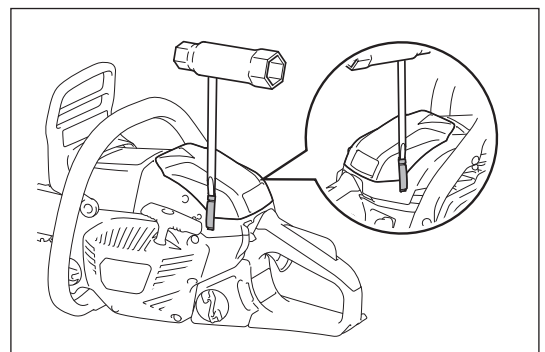
Forhindring af karburatortilisning

BEMÆRK:

- Når omgivelsestemperaturen er højere end 5°C, skal du altid sætte lukkeren tilbage til den normale indstilling (solsymbol). Ellers kan motoren muligvis tage skade pga. overophedning.

Når omgivelsestemperaturen er lav (0°C - 5°C), og luftfugtigheden er høj, kan vanddamp inden i karburatoren muligvis fryse til is, og motoren vil køre ustabil (karburatortilisning). Ændr indstillingen af lukkeren som følger om nødvendigt.

1. Åbn luftfilterdækslet.
2. Træk lukkeren ud.
3. Indstil lukkeren på anti-tilisningspositionen (snesymbol).
4. Sæt luftfilterdækslet tilbage på plads.



VEDLIGEHOLDELSE

⚠ ADVARSEL:

- Sikr dig, at kædesaven er frakoblet motoren, og træk tændrørshætten af tændrøret inden der udføres vedligeholdelse eller eftersyn.
- Vent indtil motoren er kølet af, inden der udføres vedligeholdelsesarbejde.
- Bær altid beskyttelseshandsker.
- Kædesaven må først startes, når den er fuldt monteret og eftersat.
- Hold maskinen væk fra åben ild, og ryg ikke.

⚠ FORSIGTIG:

- For at holde produktet SIKKERT og PÅLIDELIGT skal alle reparationer, vedligeholdelses- eller justeringsarbejder, som ikke er inkluderet i denne brugsanvisning, udføres af et Dolmar-autoriseret servicecenter. Brug altid udskiftningsdele fra Dolmar.

Slibning af savkæden

Savkæden skal slibes, når:

- Træstykker fra savningen ligner savsmuld.
- Kæden kun gennemskærer træet under stort tryk.
- Skærekanten er tydeligt beskadiget.
- Saven trækkes til venstre eller højre under savning. Dette forårsages pga. uens slibning af kæden.

BEMÆRK:

- Slib ofte, men uden at fjerne for meget. To eller tre strøg med filen er generelt nok.
- Når du allerede har slebet kæden flere gange selv, skal savkæden efterslibes på et servicecenter.

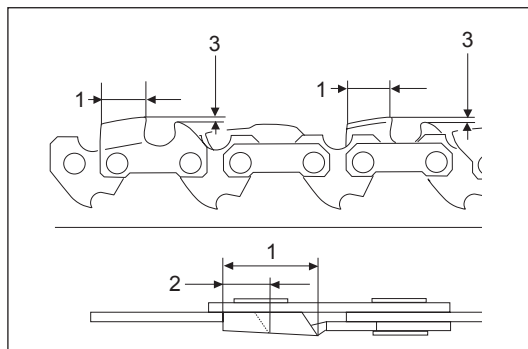
Korrekt slibning

⚠ FORSIGTIG:

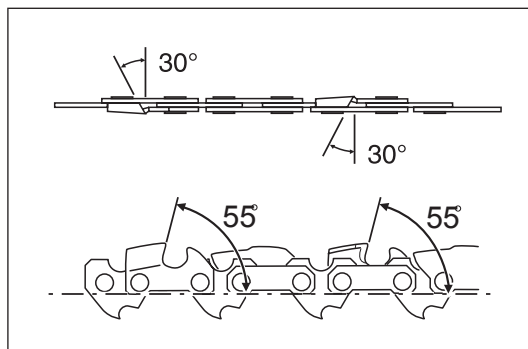
- Anvend kun kæder og sværd, der er lavet til denne sav.
- Stor dybde (3) øger risikoen for tilbageslag.

Slibekriterium (for savkæde 492 (91PX))

- Hold alle skær (1) på savkæden i samme længde. Skær med forskellige længder medfører, at kæden kører uens og kan forårsage revner i kæden.
- Minimumslængden for skær (2): 4 mm. Slib ikke kæden, når skærets længde bliver mindre end 4 mm. På dette tidspunkt skal savkæden udskiftes.
- Skæredybden (3) bestemmes vha. højdeforskellen mellem dybdemålet (rund næse) og skærekanten.
- De bedste resultater opnås med 0,64 mm (0,025") af dybden.

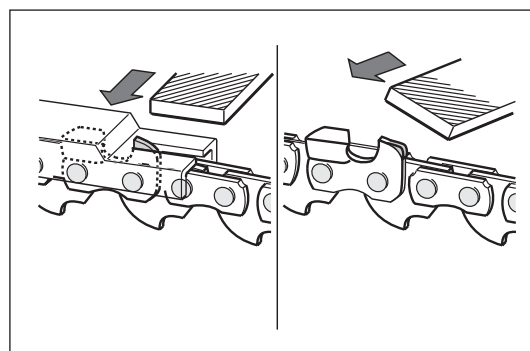
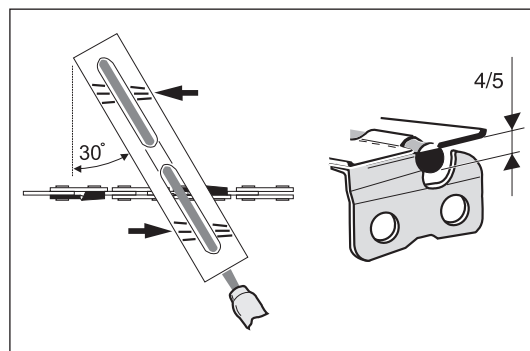
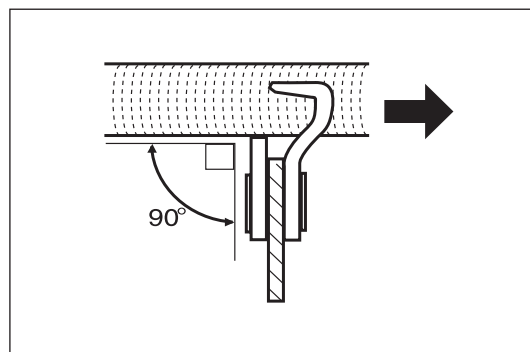


- Behold den samme slibevinkel på 30° for alle skær.
- Brug en korrekt fil, så den korrekte slibevinkel på 55° i forhold til tanden bevares.
- Slib skærene med den korrekte vinkel, ellers kan det medføre et ujævnt og uregelmæssigt kædeomløb, samt resultere i forøget slid og ødelæggelse af savkæden.



File og filføring

- Brug en særlig rundfil (ekstratilbehør) til slibning af savkæder. Normale rundfil kan ikke anvendes.
- Brug en rundfil med en diameter på 4,0 mm.
- Filen må kun berøre skæret på det fremadrettede strøg. Løft filen fra skæret på tilbagestrøget.
- Slib det korteste skær først. Længden på det korteste skær bliver derefter standardlængden for alle andre skær på savkæden.
- Før filen som vist på figuren.
- En filholder (ekstratilbehør) gør det nemmere at føre filen. Filholderen er udstyret med markeringer for korrekt slibevinkel på 30°. Når du anvender filholderen, skal du rette markeringerne ind, så de er parallelle med savkæden, og begrænse fildybden til 4/5 af fildiameteren.
- Når kæden er slebet, skal du kontrollere dybden af snittet ved hjælp af kædemålerværktøjet (fås som tilbehør).
- Fjern mindre overskud med en særlig fladfil (fås som tilbehør).
- Afrund forsiden af dybdemåleren.



Rengøring af indersiden af kædedækslet

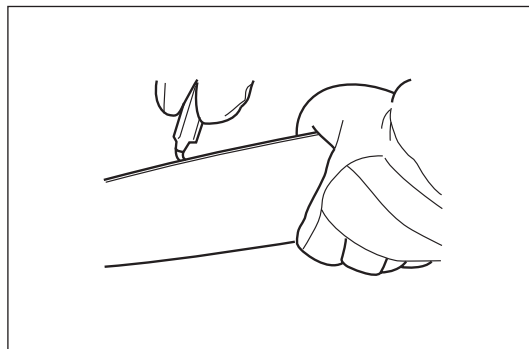
Fjern kædedækslet, savkæden og sværdet.
Rengør indersiden af kædedækslet med en børste.

BEMÆRK:

Sørg for, at der ikke er nogen rester eller fremmedlegemer tilbage i olietransportsporet, splitten til kædestramning og bremsebåndet.

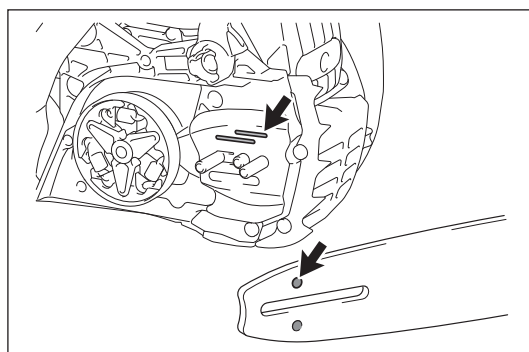
Rengøring af sværdet

Kontroller jævnligt sværdets køreoverflader for beskadigelse. Rengør det med et passende værktøj.



Rengøring af olietransportsporet

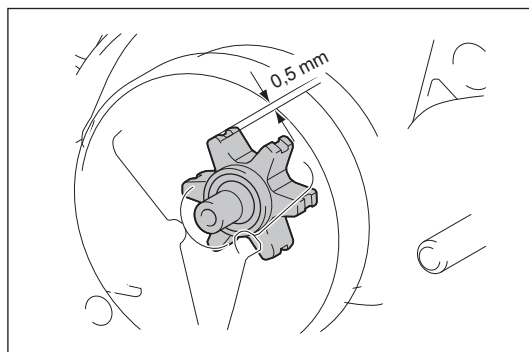
Rengør olietransportsporet og olietilførselshullet i sværdet med regelmæssige mellemrum.



Kontrol af kædehjulet

⚠ FORSIGTIG:

Et slidt kædehjul kan muligvis beskadige en ny savkæde. Anvend ikke en ny kæde på et slidt kædehjul. Kontroller kædehjulet inden der monteres en ny savkæde. Bed et Dolmar-autoriseret servicecenter om reparation, hvis der er nogen form for defekt, eller hvis kædehjulet er slidt mere end 0,5 mm.



Rensning af luftfilteret

⚠ FORSIGTIG:

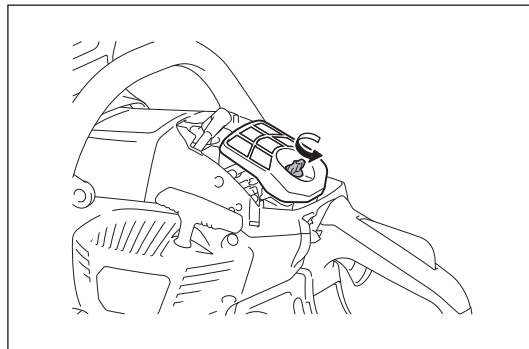
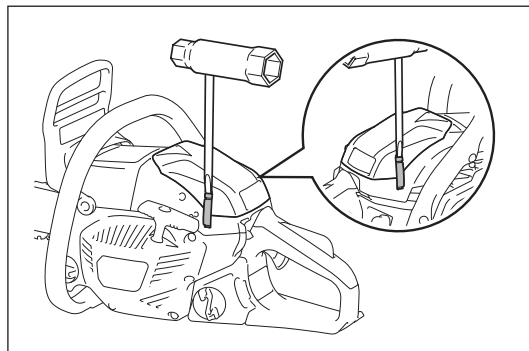
- Bær altid beskyttelsesbriller.

Udfør følgende trin for at rense luftfilteret:

1. Flyt kombikontakten op (choker-position) for at forhindre snavs eller fremmede materialer i at falde ind i karburatoren.
2. Åbn to kroge med en flad skruetrækker og fjern luftfilterdækslet.
3. Løsn møtrikken og fjern derefter luftfilteret.

BEMÆRK:

- Under rensning skal åbningen tildækkes med en ren klud for at forhindre, at der falder snavs eller fremmede materialer partikler ind i karburatoren.
 - Udskift straks luftfilteret, hvis det er beskadiget.
4. Bank let på det eller rengør det med en børste eller trykluft for at fjerne snavset.
 5. Hvis luftfilteret er meget beskidt, skal det udskiftes med et nyt.
 6. Sæt luftfilteret og luftfilterdækslet tilbage på plads ved at følge trinene ovenfor i omvendt rækkefølge.



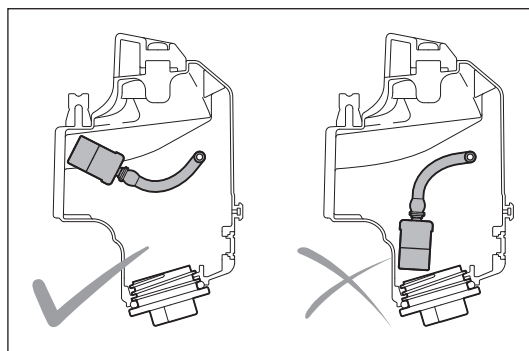
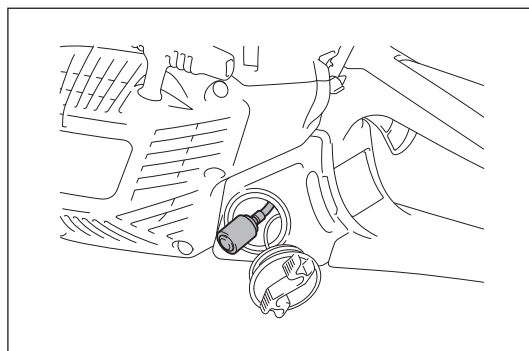
Rensning af brændstoffilteret

Sugehovedets brændstoffilter anvendes til at filtrere det brændstof, som karburatoren behøver. Foretag periodiske visuelle eftersyn.

1. Åbn tankdækslet og brug en trådkrog til at trække sugehovedet ud gennem tankåbningen med.
2. Hvis filteret er hårdt eller tilstoppet, skal det udskiftes.
3. Efter kontrol, rensning eller udskiftning skal du fastgøre brændstoffilteret til brændstofslangen med slangeklemmen. Tryk brændstoffilteret helt ind i bunden af brændstoftanken.

BEMÆRK:

- Det anbefales at udskifte brændstoffilteret mindst én gang hver tredje måned for at sikre tilstrækkelig brændstofforsyning til karburatoren. Ellers kan en utilstrækkelig brændstofforsyning muligvis forårsage motorfejl.

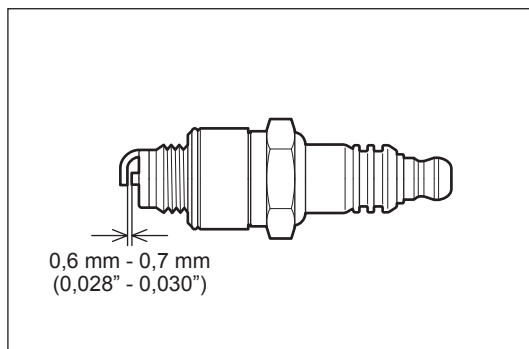


Kontrol af tændrøret

⚠ FORSIGTIG:

- Rør aldrig ved tændrørshætten, mens motoren kører (der er risiko for elektrisk stød med høj spænding).

Afstanden mellem tændrørets to elektroder bør være på 0,6 mm - 0,7 mm (0,028" - 0,030"). Hvis afstanden er for stor eller for lille, skal du justere den. Hvis tændrøret er sodet til eller beskidt, skal du rense det ordentligt og eller udskifte det.



Rengøring af cylinderrummet

⚠ FORSIGTIG:

- Bær altid beskyttelsesbriller.

Efter længere tids brug kan der muligvis ophobes støv i cylinderrummet. Det kan muligvis medføre overheding af motoren. Rengør cylinderrummet en gang imellem.

Udfør rengøring som følger:

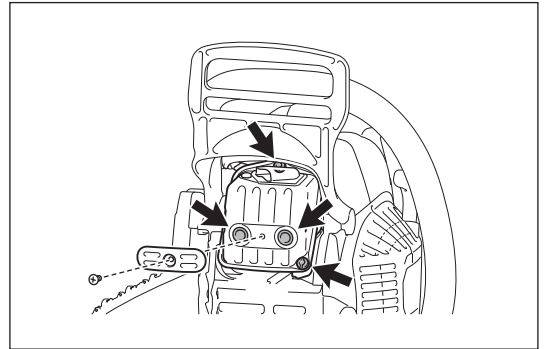
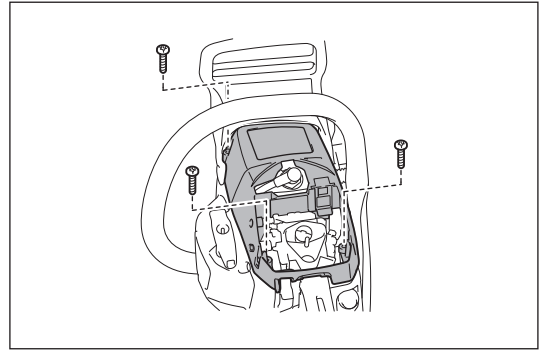
1. Åbn to kroge og fjern luftfilterdækslet.
2. Fjern luftfilteret.

BEMÆRK:

- Under rensning skal åbningen tildækkes med en ren klud for at forhindre, at der falder snavs eller fremmede materialer partikler ind i karburatoren.
3. Fjern tre skruer og fjern cylinderdækslet. Det er nemmere at fjerne cylinderdækslet, når den forreste håndbeskytter er i fremadposition.
 4. Rengør cylinderrummet og cylinderribberne. Brug en børste eller trykluft om nødvendigt.
 5. Sæt cylinderdækslet, luftfilteret og luftfilterdækslet tilbage på plads efter rengøring.

Kontrol af skrueerne på lyddæmperen

Fjern cylinderdækslet og støvdækslet og kontroller tilspændingen af de fire skrue på lyddæmperen. Stram det, hvis det er løst.



Kontrol af gnistfangeren

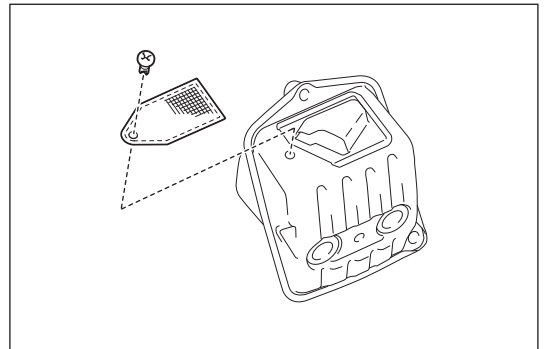
⚠ FORSIGTIG:

Start ikke motoren hvis gnistfangeren er beskadiget eller mangler. Gnistfangeren forhindrer varmt kul i at flyve ud fra udstødningsrøret. Kontroller gnistfangeren regelmæssigt vha. følgende trin:

1. Fjern cylinderdækslet.
2. Fjern den skrue som fastholder gnistfangeren. Det er nemmere at fjerne skruen ved at trykke den forreste håndbeskytter fremad. Skub derefter gnistfangeren.

Rengør gnistfangeren om nødvendigt med en trådbørste.

Hvis gnistfangeren er beskadiget, skal den udskiftes.



Rengøring af dele

Sørg for altid at holde motoren ren ved at tørre den af med en klud.

Eftersyn af bolte, møtrikker og skrue

- Kontroller bolte, møtrikker osv. Stram dem om nødvendigt.
- Kontroller, at brændstoffdækslet og oliedækslet er strammet ordentligt til. Kontroller for brændstofflækage.
- Udskift beskadigede dele med nye for sikker betjening.

Opbevaring af værktøjet

⚠ FORSIGTIG:

- Motoren er stadig varm lige efter standsning motoren. Giv motoren tilstrækkelig tid til at køle af efter den er standset, når du tømmer brændstoffet af. Ellers kan det medføre hudforbrændinger og/eller brand.
- Når maskinen ikke skal anvendes i længere tid, skal du tømme al brændstoffet ud af tanken og karburatoren, og opbevare den på et tørt og rent sted.

Biologisk nedbrydelig savkædeolie kan kun opbevares i et begrænset tidsrum. To år efter fremstillingen begynder biologiske olier at blive klæbende, og de beskadiger olie-pumpen og komponenterne i smøringssystemet.

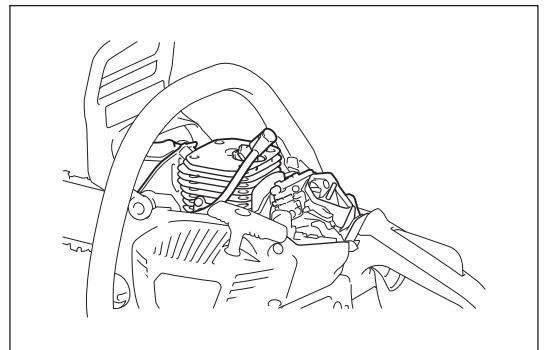
- Før kædesaven gemmes i et længere tidsrum, skal du tømme olietanken og fylde den med en lille mængde maskinolie (SAE 30).
- Lad kædesaven køre et kort stykke tid for at rense alle rester af den biologiske olie ud af tanken, smøringssystemet og savmekanismen.

Opbevar kædesaven på et passende underlag.

Før kædesaven tages i brug igen, skal du fylde den op med frisk biologisk nedbrydelig savkædeolie.

BEMÆRK:

- Når kædesaven lægges til side, lækker der i et stykke tid små mængder kædeolie fra den. Dette er normalt og er ikke tegn på fejl.



VEDLIGEHOLDELSESINTERVAL

Udfør vedligeholdelsesarbejde regelmæssigt af hensyn til lang levetid for maskinen og for at sikre, at sikkerhedsfunktionerne fungerer fuldt ud.

Driftstid Del		Inden anvendelse	Dagligt	Hver uge	Hver 3. måned	Årligt	Inden opbevaring
Kædesav	Eftersyn.	<input type="radio"/>					
	Rengøring.		<input type="radio"/>				
	Kontrol på et autoriseret servicecenter.					<input type="radio"/>	
Savkæde	Eftersyn. / Slibning om nødvendigt.	<input type="radio"/>					
Sværd	Eftersyn.	<input type="radio"/>					
Kædebremse	Kontroller funktionen.	<input type="radio"/>					
	Få den regelmæssigt eftersat på et autoriseret servicecenter.				<input type="radio"/>		
Startsnor	Eftersyn.	<input type="radio"/>					
Kædesmøring	Kontroller olietilførselshastigheden.	<input type="radio"/>					
Kombikontakt	Eftersyn.	<input type="radio"/>					
Aflåsning til gaskontakt	Eftersyn.	<input type="radio"/>					
Gaskontakt	Eftersyn.	<input type="radio"/>					
Brændstoftankdæksel	Kontroller stramning.	<input type="radio"/>					
Olietankdæksel	Kontroller stramning.	<input type="radio"/>					
Luftfilter	Rengøring.		<input type="radio"/>				
Tomgangshastighed	Savkæden kører ikke ved tomgangshastighed.		<input type="radio"/>				
Cylinderrum	Rengøring.			<input type="radio"/>			
Tændrør	Eftersyn. / Rengøring. / Udskift om nødvendigt.				<input type="radio"/>		
Gnistfanger	Eftersyn. / Rengøring. / Udskift om nødvendigt.				<input type="radio"/>		
Lyddæmper	Kontroller stramning af skruer.			<input type="radio"/>			
Kædefanger	Eftersyn.			<input type="radio"/>			
Skruer og møtrikker	Eftersyn.			<input type="radio"/>			
Brændstoffilter	Eftersyn. / Udskift om nødvendigt.				<input type="radio"/>		
Brændstoftank	Tømmes.						<input type="radio"/>
Karburator	Kør den tom.						<input type="radio"/>

* Find en passende måde at bortskaffe den gamle olie på, inden olien tømmes ud. Hæld den ikke i kloakken, på jorden i haven eller i vandløb. Du kan finde flere detaljerede instruktioner om korrekt bortskaffelse i de lokale område- eller miljøbestemmelser.

FEJLFINDING

Kontroller selv for fejl, inden du anmoder om reparation. Kontakt et autoriseret servicecenter angående reparationer.

Fejlfunktionsstatus	Mulig årsag	Afhjælpning
Kæden kører ikke.	Kædebremsen er aktiveret.	Frigør kædebremsen.
Motoren starter ikke.	Funktionsfejl på tændrør.	Kontroller tændrøret.
	Brændstoftanken er tom.	Påfyld brændstof på brændstoftanken.
	Problem med brændstofførløret.	Kontroller om brændstoffilteret ikke er tilstoppet.
	Funktionsfejl på maskine.	Henvend dig til dit lokale autoriserede servicecenter angående reparation.
Manglende ydeevne.	Luftfilteret er beskidt.	Rens luftfilteret. Udskift det om nødvendigt.
	Cylinderrummet er beskidt.	Rengør cylinderrummet.
	Omgivelsestemperaturen er meget lav.	Ændr lukkerindstillingen for karburatoren. Se afsnittet "Forhindring af karburatortilisning".
Ingen olie på kædesaven.	Olietanken er tom.	Påfyld olie på olietanken.
	Olietransportsporet er beskidt.	Rengør sporet.
	Olietanken er ikke justeret ordentligt.	Juster olietankens mængde.
	Funktionsfejl på oliepumpen.	Henvend dig til dit lokale autoriserede servicecenter angående reparation.
Kæden stopper ikke, selvom kædebremsen er aktiveret.	Bremsebånd er slidt ned.	Stop straks brugen af maskinen og henvend dig til dit lokale autoriserede servicecenter angående reparation.
Maskinen vibrerer unormalt.	Løst sværd eller savkæde.	Juster sværdet og stramningen af savkæden.
	Funktionsfejl på maskine.	Stop straks brugen af maskinen og henvend dig til dit lokale autoriserede servicecenter angående reparation.
Kæden stopper ikke, når motoren er i tomgang.	Tomgangshastigheden er høj.	Korrekt tomgangshastighed.
	Kobling defekt.	Stop straks brugen af maskinen og henvend dig til dit lokale autoriserede servicecenter angående reparation.

Πίνακας περιεχομένων

Σελίδα

Συμβολα	202
Μέτρα ασφαλείας.....	203
Τεχνικά δεδομένα.....	209
Καθορισμός εξαρτημάτων	210
Λειτουργία ασφαλείας του αλυσοπριονιού.....	211
Συναρμολογήση.....	213
Πριν απο τη χρήση	216
Ξεκίνημα και σταμάτημα του κινητήρα.....	218
Συντήρηση.....	220
Διαστήμα συντήρησης	225
Επίλυση προβλημάτων	226

ΣΥΜΒΟΛΑ

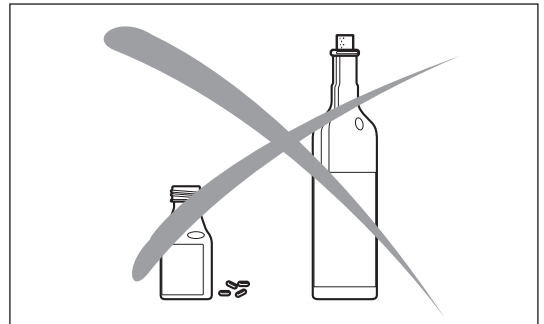
	Διαβάστε το εγχειρίδιο οδηγιών και ακολουθήστε τις προειδοποιήσεις- και τα μέτρα ασφαλείας!		Προσοχή, κλώτσημα!
	Ιδιαίτερη φροντίδα και προσοχή!		
	Απαγορεύεται!		Φρένο αλυσίδας
	Φοράτε κράνος και προστατευτικά για τα μάτια και τα αφτιά!		Κρατήστε το πριόνι με τα δύο χέρια όταν εργάζεστε! Η χρήση με το ένα χέρι είναι εξαιρετικά επικίνδυνη!
	Να φοράτε προστατευτικά γάντια!		Μείγμα καυσίμου και λαδιού
	Απαγορεύεται το κάπνισμα!		Γέμισμα λαδιού αλυσίδας/αντλία λαδιού
	Όχι γυμνές φλόγες!		Βίδα ρύθμισης αλυσίδας πριονιού
	Σταματήστε τον κινητήρα!		Αντλία προέγχυσης
	Ξεκινήστε τον κινητήρα		Κατεύθυνση αλυσίδας
	Διακόπτης πολλαπλών λειτουργιών, Αέρας ΕΝΕΡΓΟΠΟΙΗΣΗ/ΔΙΑΚΟΠΗ		Πρώτες βοήθειες

Προβλεπόμενη χρήση

Αυτό το μηχανοκίνητο αλυσοπρίονο προορίζεται αποκλειστικά για κοπή ξύλου σε εξωτερικούς χώρους.

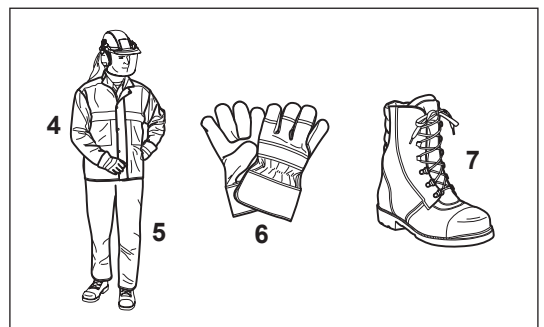
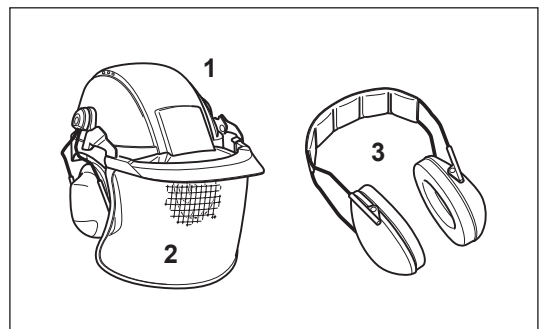
Γενικές προφυλάξεις

- Για την διασφάλιση της σωστής λειτουργίας, ο χρήστης πρέπει να διαβάσει αυτό το εγχειρίδιο οδηγιών για να εξοικειωθεί με τα χαρακτηριστικά του αλυσοπρίονου. Οι ανεπαρκώς πληροφορημένοι χρήστες θα θέσουν σε κίνδυνο τους ίδιους καθώς και τους άλλους λόγω ακατάλληλου χειρισμού.
- Συνιστάται να δανείζετε το αλυσοπρίονο μόνο σε ανθρώπους που έχουν εμπειρία στην εργασία με αλυσοπρίονα. Πάντοτε να παραδίδεται το εγχειρίδιο οδηγιών.
- Τα άτομα που το χρησιμοποιούν για πρώτη φορά θα πρέπει να ζητήσουν από τον εμπορικό αντιπρόσωπο τις βασικές οδηγίες για να εξοικειωθούν με τα χαρακτηριστικά του μηχανοκίνητου πριονίσματος ή ακόμα και να παρακολουθήσουν ένα αναγνωρισμένο μάθημα διδασκαλίας.
- Στα παιδιά και στα νεαρά άτομα ηλικίας κάτω των 18 ετών δεν πρέπει να τους επιτρέπεται η χρήση του αλυσοπρίονου. Τα άτομα ηλικίας άνω των 16 ετών, ωστόσο, μπορούν να κάνουν χρήση του αλυσοπρίονου για λόγους εκπαίδευσης, εφόσον βρίσκονται υπό την επίβλεψη ενός καταρτισμένου εκπαιδευτή.
- Χρησιμοποιείτε το αλυσοπρίονο μόνο αν είστε σε καλή φυσική κατάσταση. Εάν είστε κουρασμένοι, η προσοχή σας θα μειωθεί. Να είστε ιδιαίτερα προσεκτικοί κατά το τέλος μιας εργάσιμης ημέρας. Εκτελέστε όλες τις εργασίες με ηρεμία και προσοχή. Ο χρήστης θεωρείται υπεύθυνος για τους άλλους.
- Όταν χειρίζεστε ένα αλυσοπρίονο, να είσατε σε ετοιμότητα, να προσέχετε τι κάνετε και να χρησιμοποιείτε κοινή λογική. Μια στιγμή απροσεξίας κατά τη διάρκεια του χειρισμού μπορεί να προκαλέσει σοβαρό προσωπικό τραυματισμό.
- Ποτέ μην χρησιμοποιείτε το αλυσοπρίονο, μετά την κατανάλωση οινοπνεύματος, ναρκωτικών ή φαρμάκων.
- Ο σιγαστήρας μπορεί να περιέχει καρκινογόνες χημικές ουσίες στο εσωτερικό. Αποφύγετε την επαφή με αυτές στην περίπτωση που ο σιγαστήρας υποστεί βλάβη.
- Το σύστημα ανάφλεξης του κινητήρα εκπέμπει ηλεκτρομαγνητικά κύματα κατά τη λειτουργία. Αυτό μπορεί να προκαλέσει παρεμβολές σε ιατρικούς εξοπλισμούς υπό ορισμένες περιστάσεις και μπορεί να προκαλέσει σοβαρό τραυματισμό στα άτομα με βηματοδότη. Συνιστάται στα άτομα με βηματοδότη να συμβουλευούνται τους ιατρούς και τον κατασκευαστή του βηματοδότη πριν από τη χρήση του αλυσοπρίονου.
- Μην χρησιμοποιείτε ένα αλυσοπρίονο που φαίνεται ότι είναι τροποποιημένο.
- Ένας πυροσβεστήρας και ένα φτυάρι πρέπει να είναι διαθέσιμα σε μικρή απόσταση όταν εργάζεστε σε εύφλεκτη βλάστηση ή όταν δεν έχει βρέξει για μεγάλο χρονικό διάστημα (κίνδυνος πυρκαγιάς).
- Η εθνική νομοθεσία μπορεί να περιορίζει τη χρήση του μηχανήματος. Ακολουθήστε τους κανονισμούς της περιφέρειάς σας σχετικά με τη χρήση του αλυσοπρίονου.



Προσωπικός προστατευτικός εξοπλισμός

- Για να αποφευχθούν οι τραυματισμοί του κεφαλιού, των ματιών, των χεριών, των ποδιών καθώς και για την προστασία της ακοής, πρέπει να χρησιμοποιείται ο παρακάτω προστατευτικός εξοπλισμός κατά το χειρισμό του αλυσοπρίονου:
- Η ενδυμασία πρέπει να είναι λειτουργική, δηλαδή εφαρμοστή, χωρίς όμως να εμποδίζει. Μην φοράτε κοσμήματα ή ρούχα τα οποία μπορούν να μπλεχτούν μέσα στους θάμνους ή στους βάλτους. Αν έχετε μακριά μαλλιά, να φοράτε πάντα κράνος.
- Είναι απαραίτητο να φοράτε προστατευτικό κράνος όταν εργάζεστε με το αλυσοπρίονο. Το προστατευτικό κράνος (1), πρέπει να ελέγχεται σε τακτά χρονικά διαστήματα για την ύπαρξη ζημιών και πρέπει να αντικατασταθεί μετά από 5 έτη το αργότερο. Χρησιμοποιείτε μόνο εγκεκριμένα προστατευτικά κράνη.
- Η προσωπίδα (2) του προστατευτικού κράνου (ή τα προστατευτικά γυαλιά) προστατεύουν το πρόσωπο από την πριονόσκονη και τα ροκανίδια. Κατά τη λειτουργία του αλυσοπρίονου πάντοτε να φοράτε προστατευτικά γυαλιά ή προσωπίδα για την πρόληψη των τραυματισμών των ματιών.
- Φοράτε τον απαραίτητο εξοπλισμό προστασίας ενάντια στο θόρυβο (προστατευτικά επικαλύμματα αυτιών (3), ωτοασπίδες κτλ.). Η μακρόχρονη έκθεση στο θόρυβο μπορεί να προκαλέσει μόνιμη βλάβη της ακοής.
- Το σακάκι ασφάλεια (4) είναι εφοδιασμένο με ειδικές χρωματιστές τιράντες σήματος για τον ώμο και είναι άνετο και εύκολο στη φροντίδα.
- Το προστατευτικό παντελόνι με προσήθιο (5) αποτελείται από 22 νάιλον στοιβάδες και προστατεύει από τα κοψίματα. Συστήνουμε έντονα τη χρήση του.
- Τα προστατευτικά γάντια (6) που είναι φτιαγμένα από παχύ δέρμα αποτελούν μέρος του συνιστώμενου εξοπλισμού και θα πρέπει πάντοτε να φοριούνται κατά τη χρήση του αλυσοπρίονου.
- Κατά τη λειτουργία του αλυσοπρίονου πρέπει πάντοτε να φοριούνται, παπούτσια ασφαλείας ή μπότες ασφαλείας (7) εξοπλισμένα με αντιολισθητική σόλα, ατσάλινα καλύμματα για τα δάκτυλα και προστατευτικά για το πόδι. Τα παπούτσια ασφαλείας με προστατευτική επένδυση προσφέρουν προστασία έναντι των κοψιμάτων και εξασφαλίζουν σταθερότητα στο πάτημα.
- Να φοράτε προστατευτική μάσκα όταν είναι απαραίτητο. Η μακροχρόνια έκθεση σε καυσαέρια, νέφος λαδιού αλυσίδας και πριονόσκονη μπορεί να βλάψει την υγεία σας.

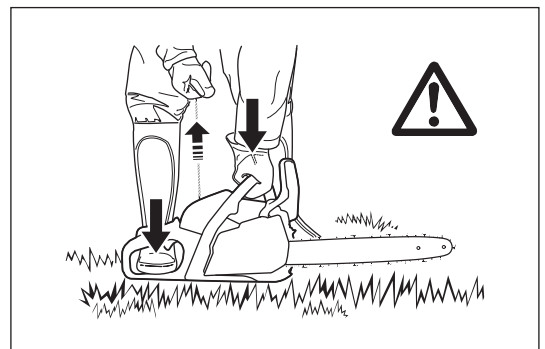
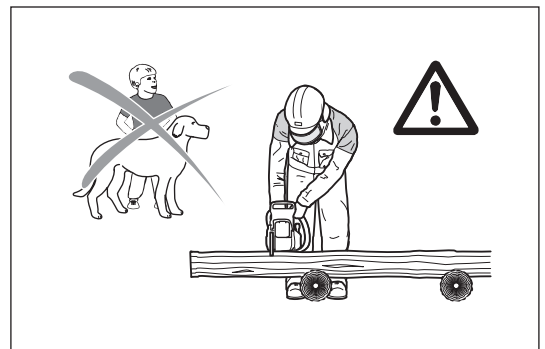
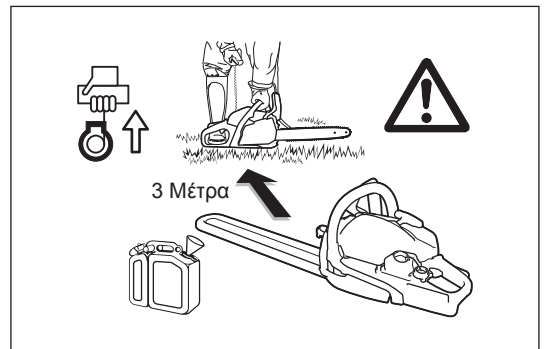


Καύσιμα/Ανεφοδιασμός

- Σταματήστε τον κινητήρα πριν τον ανεφοδιασμό με καύσιμο του αλυσοπριόνου.
- Μην καπνίζετε ή εργάζεστε κοντά σε γυμνές φλόγες.
- Αφήστε τον κινητήρα να κρυώσει πριν τον ανεφοδιασμό.
- Τα καύσιμα μπορεί να περιέχουν ουσίες παρόμοιες με διαλύτες. Τα μάτια και το δέρμα δεν πρέπει να έρχονται σε επαφή με προϊόντα πετρελαιοειδών. Να φοράτε πάντα προστατευτικά γάντια κατά τον ανεφοδιασμό. Να καθαρίζετε συχνά και να αλλάζετε τα προστατευτικά ρούχα. Μην εισπνέετε τους ατμούς των καυσίμων. Η εισπνοή των ατμών των καυσίμων μπορεί να είναι επικίνδυνη για την υγεία σας.
- Μην χύνετε κάτω το καύσιμο ή το λάδι της αλυσίδας. Όταν έχει χυθεί καύσιμο ή λάδι, αμέσως καθαρίστε το αλυσοπριόνο. Το καύσιμο δεν πρέπει να έρθει σε επαφή με τα ρούχα. Αν τα ρούχα σας έχουν έρθει σε επαφή με το καύσιμο, αλλάξτε τα αμέσως.
- Διασφαλίστε ότι δεν στάζει στο έδαφος το καύσιμο ή το λάδι της αλυσίδας (προστασία του περιβάλλοντος). Χρησιμοποιήστε μια κατάλληλη βάση.
- Ο ανεφοδιασμός δεν επιτρέπεται σε κλειστούς χώρους. Οι ατμοί καυσίμου θα συσσωρευτούν πλησίον του δαπέδου (κίνδυνος έκρηξης).
- Βεβαιωθείτε να σφίξετε καλά τις βιδωτές τάπες των ρεζερβουάρ καυσίμου και λαδιού.
- Μεταβείτε σε μια άλλη τοποθεσία πριν από την εκκίνηση του κινητήρα (τουλάχιστον 3 μέτρα από τον τόπο ανεφοδιασμού).
- Το καύσιμο δεν μπορεί να αποθηκευτεί για απεριόριστο χρονικό διάστημα. Αγοράστε μόνο όσο πρόκειται να καταναλωθεί στο άμεσο μέλλον.
- Χρησιμοποιείτε μόνο εγκεκριμένα και εισημισμένα δοχεία για τη μεταφορά και την αποθήκευση του καυσίμου και του λαδιού της αλυσίδας. Εξασφαλίστε ότι τα παιδιά δεν έχουν πρόσβαση στο καύσιμο ή στο λάδι αλυσίδας.

Έναρξη της λειτουργίας

- Μην εργάζεστε μόνοι σας. Ένα άλλο άτομο πρέπει να βρίσκεται κοντά σε περίπτωση έκτακτης ανάγκης (σε απόσταση φωνής).
- Βεβαιωθείτε ότι δεν υπάρχουν παιδιά ή άλλα άτομα εντός του χώρου εργασίας. Δώστε ιδιαίτερη προσοχή επίσης και στα τυχόν ζώα που βρίσκονται στο χώρο εργασίας.
- Πριν την έναρξη της εργασίας πρέπει να ελέγχετε την απρόσκοπτη λειτουργία του αλυσοπριόνου και την κατάσταση ασφαλούς λειτουργίας σύμφωνα με τις προδιαγραφές. Ποτέ μην χρησιμοποιείτε ένα ελαττωματικό αλυσοπριόνο. Ελέγξτε ειδικά τη λειτουργία του φρένου της αλυσίδας, το σωστό μοντάρισμα της οδηγητικής λάμας, τη σωστά ακονισμένη και τεντωμένη αλυσίδα, τη σταθερή εφαρμογή του καλύμματος της αλυσίδας, την εύκολη κίνηση της σκανδάλης γκαζιού και τη λειτουργία του κλειδώματος της σκανδάλης γκαζιού, την καθαρότητα και στεγανότητα των χερουλιών και τη λειτουργία του διακόπτη πολλαπλών λειτουργιών.
- Όταν σας πέσει κάτω το αλυσοπριόνο ή δεχτεί άλλα χτυπήματα, διακόψτε αμέσως τη χρήση του εργαλείου και κάντε έλεγχο για τον εντοπισμό σημαντικών βλαβών ή ελαττωμάτων.
- Θέστε σε λειτουργία το αλυσοπριόνο μόνο όταν είναι πλήρως συναρμολογημένο. Ποτέ μη χρησιμοποιείτε το αλυσοπριόνο, όταν δεν είναι πλήρως συναρμολογημένο.
- Ελέγξτε τον προσωπικό σας εξοπλισμό προστασίας.
- Θέστε σε λειτουργία το αλυσοπριόνο μόνο όπως περιγράφεται στο παρόν εγχειρίδιο οδηγιών. Άλλοι μέθοδοι εκκίνησης δεν επιτρέπονται.
- Πριν από το ξεκίνημα του αλυσοπριόνου εξασφαλίστε ότι έχετε ένα σταθερό πάτημα.
- Κατά το ξεκίνημα του αλυσοπριόνου, πρέπει να υποστηρίζεται και να συγκρατείται σταθερά. Η οδηγητική λάμα και η αλυσίδα δεν πρέπει να βρίσκεται σε επαφή με οποιοδήποτε αντικείμενο.
- Ελέγξτε ότι το λάδι της αλυσίδας φτάνει επαρκώς στην αλυσίδα.



Λειτουργία

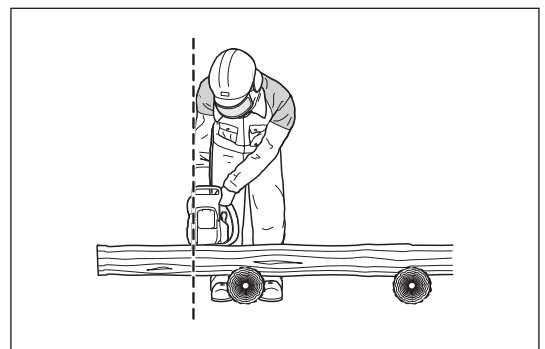
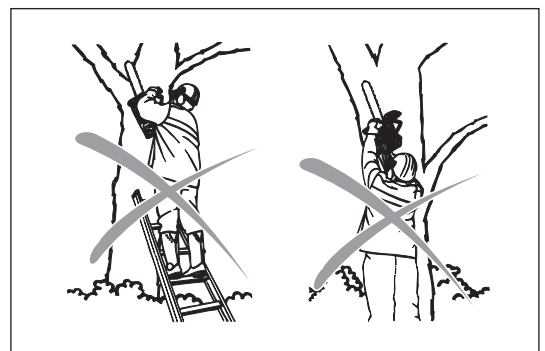
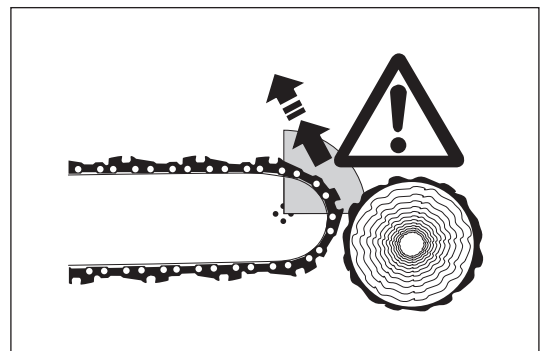
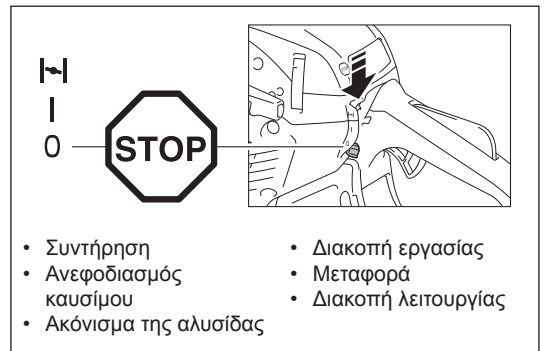
- Κατά την εργασία με το αλυσοπρίονο πάντα να το κρατήσετε με τα δύο χέρια. Πιάστε το πίσω χερούλι με το δεξί χέρι και το μπροστινό χερούλι με το αριστερό χέρι. Κρατήστε τα χερούλια σφιχτά με τους αντίχειρές σας να βλέπουν τα δάχτυλά σας.
- **⚠ ΠΡΟΣΟΧΗ:** Όταν αφήνετε την σκανδάλη του γκαζιού η αλυσίδα θα συνεχίζει να κινείται για μικρό χρονικό διάστημα (φαινόμενο της ελεύθερης κίνησης).
- Να βεβαιώνετε πάντοτε ότι έχετε ένα ασφαλές πάτημα.
- Κρατήστε το αλυσοπρίονο έτσι ώστε να μην αναπνέετε τα καυσαέρια. Να μην εργάζεστε σε κλειστά δωμάτια (κίνδυνος δηλητηρίασης).
- **Απενεργοποιήστε το αλυσοπρίονο αμέσως αν παρατηρήσετε τυχόν αλλαγές στη συμπεριφορά λειτουργίας του.**
- **Ο κινητήρας πρέπει να είναι σβηστός πριν ξεκινήσετε τον έλεγχο της τάσης της αλυσίδας, του σφιδιματός της αλυσίδας, της αντικατάστασής της ή της διόρθωσης των δυσλειτουργιών.**
- Όταν το αλυσοπρίονο κτυπηθεί από πέτρες, καρφιά ή άλλα σκληρά αντικείμενα, σβήστε αμέσως τον κινητήρα και ελέγξτε τη συσκευή πριονίσματος.
- Κατά τη διακοπή της εργασίας ή της εξόδου σας από τον τόπο εργασίας σβήστε το αλυσοπρίονο και τοποθετήστε το κάτω έτσι ώστε κανείς να μην βρίσκεται σε κίνδυνο.
- **⚠ ΠΡΟΣΟΧΗ:** Μην τοποθετείτε το υπερθερμασμένο μηχανοκίνητο αλυσοπρίονο πάνω σε ξερό χορτάρι ή σε οποιαδήποτε εύφλεκτα αντικείμενα. Ο σιγαστήρας είναι πολύ ζεστός (κίνδυνος πυρκαγιάς).
- **ΠΡΟΣΟΧΗ:** Το στάσιμο λαδιού από την αλυσίδα ή την οδηγητική λάμα μετά το σταμάτημα της αλυσίδας πριονιού θα μολύνει το έδαφος. Να χρησιμοποιείτε πάντοτε μια κατάλληλη βάση.

Κλώσημα

- Κατά την εργασία με το αλυσοπρίονο μπορούν να συμβούν επικίνδυνα κλώσηματα.
- Το κλώσημα συμβαίνει όταν το πάνω μέρος του του άκρου της οδηγητικής λάμας αγγίζει κατά λάθος ξύλο ή άλλα σκληρά αντικείμενα.
- Αυτό προκαλεί το πέταγμα προς τα πίσω του πριονιού προς το μέρος του χρήστη με μεγάλη δύναμη και χωρίς έλεγχο. **Κίνδυνος τραυματισμού!**
- **Για να αποφευχθεί το κλώσημα, ακολουθήστε τους εξής κανόνες:**
 - Μόνο ειδικά-εκπαιδευμένα άτομα θα πρέπει να εκτελούν τομές εν βύθισι, δηλαδή, διάτρηση ξυλείας ή ξύλου με την άκρη του πριονιού!
 - Μην χρησιμοποιείτε ποτέ τη μύτη της λάμας κατά την έναρξη της κοπής.
 - Πάντοτε να παρατηρείτε το άκρο της οδηγητικής λάμας. Να είστε προσεκτικοί όταν συνεχίζετε μια τομή που έχει ήδη αρχίσει προηγουμένως.
 - Όταν αρχίζετε να κόβετε η αλυσίδα πρέπει να κινείται.
 - Διασφαλίστε ότι η αλυσίδα είναι πάντα ακονισμένη με το σωστό τρόπο. Δώστε ιδιαίτερη προσοχή στο ύψος του περιοριστή βάθους.
 - Μην κόβετε ποτέ ταυτόχρονα περισσότερα από ένα κλαδιά. Κατά την κοπή ενός κλαδιού να προσέχετε, ώστε να μην αγγίζετε κανένα άλλο κλαδί.
 - Κατά την εγκάρσια κοπή ενός κορμού δώστε προσοχή στους κοντινά ευρισκόμενους κορμούς.

Τρόπος/τεχνική εργασίας

- Χρησιμοποιείτε το αλυσοπρίονο μόνο με περιόδους καλού φωτισμού και ορατότητας. Προσέχετε τις ολισθηρές ή υγρές περιοχές, καθώς και τον πάγο και το χιόνι (κίνδυνος ολισθησης). Ο κίνδυνος γλιστρήματος είναι αυξημένος όταν εργάζεστε πάνω σε ξύλο που έχει ξεφλουδιστεί πρόσφατα (φλοιός).
- Ποτέ να μην εργάζεστε πάνω σε ασταθείς επιφάνειες. Βεβαιωθείτε ότι δεν υπάρχουν εμπόδια στο χώρο εργασίας, κίνδυνος να σκοντάψετε. Να βεβαιώνετε πάντοτε ότι έχετε ένα ασφαλές πάτημα.
- Μην χρησιμοποιείτε το πριόνι ποτέ επάνω από το ύψος του ώμου σας.
- Μην χρησιμοποιείτε το πριόνι ποτέ στεκόμενοι σε σκάλα.
- Ποτέ μην σκαρφαλώνετε σε δέντρα για να πριονίσετε με το αλυσοπρίονο.
- Μην εργάζεστε προεκτεινόμενοι υπερβολικά.
- Καθοδηγήστε το ηλεκτρικό αλυσοπρίονο έτσι ώστε κανένα από τα μέρη του σώματός σας να μη βρίσκεται στη νοητή γραμμή κίνησης του πριονιού.
- Χρησιμοποιείτε το αλυσοπρίονο μόνο για πριόνισμα ξύλου.
- Αποφύγετε την επαφή με το έδαφος του αλυσοπριονιού όταν αυτό ακόμη λειτουργεί.
- Ποτέ μην χρησιμοποιείτε το αλυσοπρίονο για την ανύψωση ή για την αφαίρεση κομματιών ξύλου ή άλλων αντικειμένων.
- Απομακρύνετε τα ξένα αντικείμενα, όπως την άμμο, τις πέτρες και τα καρφιά που βρίσκονται μέσα στο χώρο εργασίας. Τα ξένα αντικείμενα μπορεί να προκαλέσουν βλάβη στο αλυσοπρίονο και μπορεί να προκαλέσουν επικίνδυνο κλώσημα.
- Κατά το πριόνισμα προτεταχισμένων ξύλων χρησιμοποιήστε ένα ασφαλές στηρίγμα (υποστήριγμα για το πριόνισμα ξύλων). Μην στηρίζετε το τεμάχιο εργασίας με το πόδι σας και μην αφήσετε κανέναν άλλον να το κρατά σταθερά.
- Στερεώστε τα στρογγυλά κομμάτια για να μην περιστραφούν.

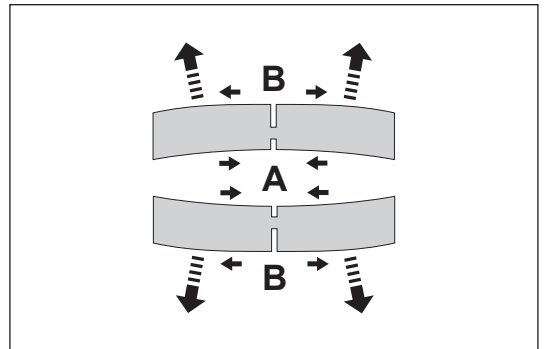
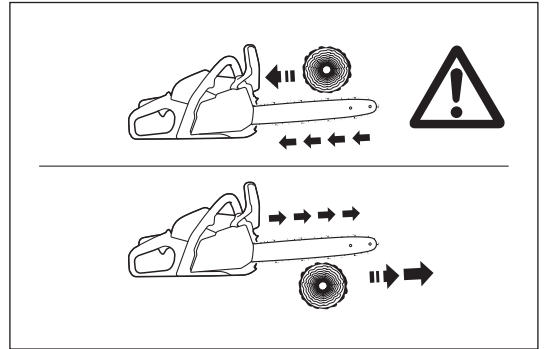
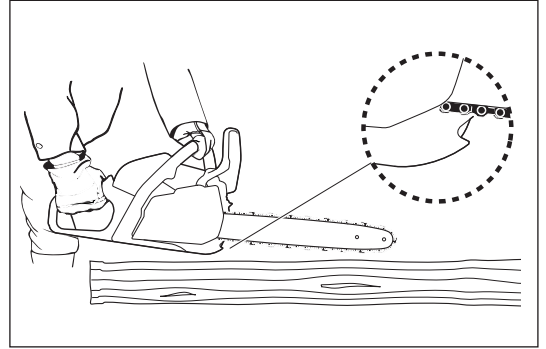
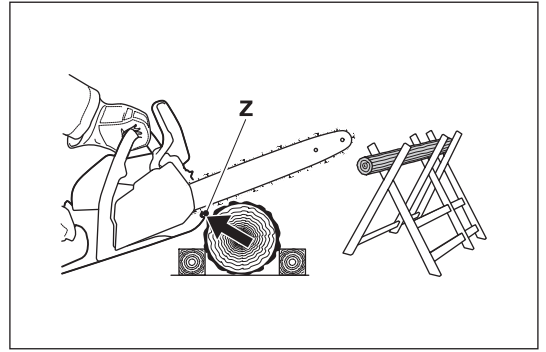


- Για την κοπή δέντρων ή για την εκτέλεση εγκάρσιων τομών ο οδοντωτός προφυλακτήρας (Z) πρέπει να χρησιμοποιείται πάνω στο ξύλο που πρόκειται να κοπεί.
- Πριν από την εκτέλεση μιας εγκάρσιας κοπής τοποθετήστε τον οδοντωτό προφυλακτήρα στο ξύλο, μόνο τότε μπορεί να κοπεί το ξύλο με την αλυσίδα σε λειτουργία. Αυτό το αλυσοπρίονο σηκώνεται από το πίσω χερούλι και κατευθύνεται από το μπροστινό χερούλι. Ο οδοντωτός προφυλακτήρας λειτουργεί ως κέντρο περιστροφής. Συνεχίστε πιέζοντας ελαφρά προς τα κάτω το μπροστινό χερούλι ενώ ταυτόχρονα τραβάτε προς τα πίσω το αλυσοπρίονο. Τοποθετήστε τον οδοντωτό προφυλακτήρα λίγο πιο βαθιά και για μια ακόμη φορά ανασηκώστε το πίσω χερούλι.
- Όταν το ξύλο πρέπει να τρυπηθεί για την κοπή ή όταν πρόκειται να γίνουν κατά μήκος τομές συνιστάται ανεπιφύλακτα να εκτελούνται αυτές οι εργασίες μόνον από ειδικά εκπαιδευμένα άτομα (αυξημένος κίνδυνος κλωτσήματος).
- Εκτελείτε **διαμήκεις - κατά μήκος - τομές** στη μικρότερη δυνατή γωνία. Να είστε πολύ προσεκτικοί όταν εκτελείτε αυτού του είδους τις κοπές, δεδομένου ότι ο οδοντωτός προφυλακτήρας δεν μπορεί να πιάσει.
- Το πριόνι πρέπει να λειτουργεί κάθε φορά που απομακρύνετε το αλυσοπρίονο από το ξύλο.
- Κατά την εκτέλεση πολλών τομών η σκανδάλη γκαζιού πρέπει να απελευθερώνεται μεταξύ των τομών.
- Να είστε προσεκτικοί κατά την κοπή ξύλου με σκληρές. Υπάρχει η περίπτωση να συμπαρασυρθούν κομμάτια ξύλου (κίνδυνος τραυματισμών).
- Κατά την κοπή με το άνω άκρο της οδηγητικής λάμας, το αλυσοπρίονο μπορεί να ωθηθεί προς την κατεύθυνση του χρήστη σε περίπτωση που μαγκώσει η αλυσίδα. Για το λόγο αυτό χρησιμοποιήστε το κατώτερο άκρο της λάμας όποτε είναι δυνατόν. Το αλυσοπρίονο στη συνέχεια θα απομακρυνθεί από το σώμα σας.
- Αν η ξυλεία βρίσκεται υπό τάνυση, κόψτε πρώτα την πλευρά που βρίσκεται υπό πίεση (A). Στη συνέχεια, μπορεί να γίνει η εγκάρσια κοπή στην πλευρά της τάνυσης (B). Έτσι μπορεί να αποφευχθεί η σύσφιξης της οδηγητικής λάμας.

⚠ ΠΡΟΣΟΧΗ:

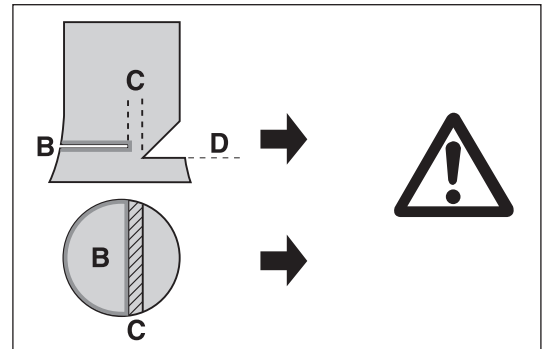
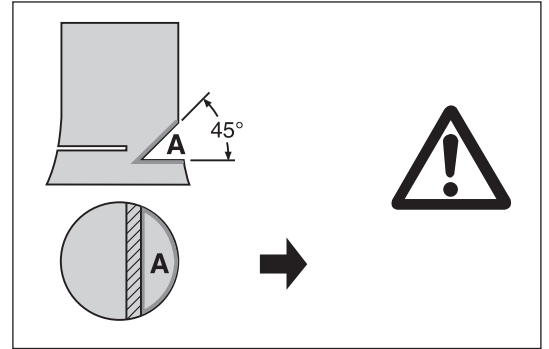
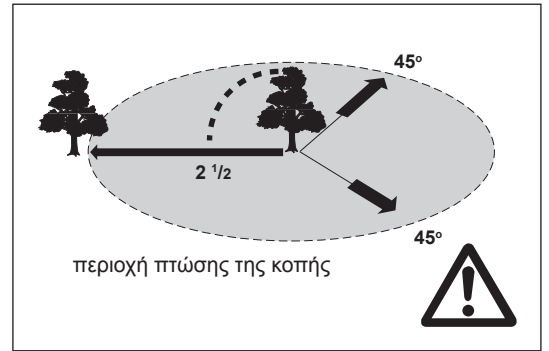
Τα άτομα που κόβουν δέντρα ή κλαδιά πρέπει να έχουν λάβει ειδική εκπαίδευση. Υψηλός κίνδυνος τραυματισμών!

- Κατά την κοπή των κλαδιών, το αλυσοπρίονο θα πρέπει να στηρίζεται στον κορμό. Μην χρησιμοποιείτε το άκρο της λάμας για την κοπή (κίνδυνος κλωτσήματος).
- Δώστε προσοχή στα κλαδιά που βρίσκονται υπό τάνυση. Μην κόβετε από το κάτω μέρος κλαδιά που κρέμονται ελεύθερα.
- Ποτέ μην εκτελείτε κοπές εκτόνωσης τάνυσης, όταν στέκεστε πάνω στον κορμό.



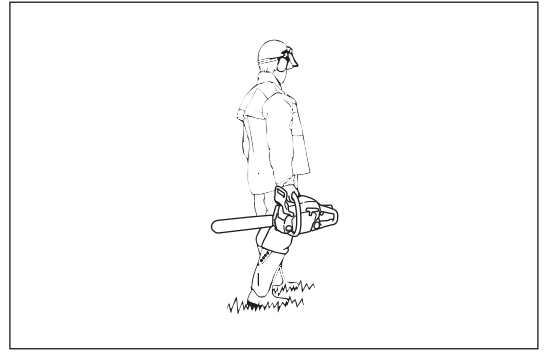
• **Πριν την κοπή ενός δέντρου διασφαλίστε ότι**

- a) βρίσκονται στην περιοχή εργασίας μόνο τα άτομα που συμμετέχουν πραγματικά, στην κοπή του δέντρου.
 - b) ο κάθε εργαζόμενος που συμμετέχει μπορεί να αποτραβηχτεί χωρίς να σκοντάψει (τα άτομα πρέπει να αποτραβιούνται διαγωνίως προς τα πίσω, δηλαδή, στις 45° μοίρες).
 - c) το κάτω μέρος του κορμού είναι απαλλαγμένο από ξένα αντικείμενα, θάμνοι και κλαδιά. Να πατάτε γερά στο έδαφος (κίνδυνος παραπατήματος).
 - d) η επόμενη θέση εργασίας πρέπει να βρίσκεται σε απόσταση τουλάχιστο 2 1/2 φορές το μήκος του καταπίπτοντος δέντρου. Πριν από την κοπή του δέντρου ελέγξτε την κατεύθυνση της πτώσης και βεβαιωθείτε ότι δεν υπάρχουν ούτε άλλα άτομα ούτε αντικείμενα σε απόσταση 2 1/2 φορές το μήκος του δέντρου.
- **Εκτίμηση του δέντρου:** Σε ποιά κατεύθυνση γέρνει το δέντρο - μαζί με τα αποκομμένα και ξερά κλαδιά - ποιά είναι το ύψος του δέντρου - μαζί με τη φυλλωσιά του - είναι μήπως σάπιο το δέντρο;
- Λάβετε υπόψη την κατεύθυνση και την ταχύτητα του ανέμου. Αν υπάρχει ισχυρός άνεμος, μην προχωρήσετε σε κανένα κόψιμο.
- **Περικοπή του ριζώματος:** Ξεκινήστε πρώτα από την δυνατότερη ρίζα. Πρώτα κάνετε την κάθετη και στη συνέχεια την οριζόντια τομή.
- **Εγκοπή στον κορμό:** Η εγκοπή (A) προσδιορίζει την κατεύθυνση πτώσης και καθοδηγεί το δέντρο. Η εγκοπή γίνεται στον κορμό σε ορθή γωνία προς την κατεύθυνση πτώσης και σε βάθος μεταξύ 1/3 και 1/5 της διαμέτρου του κορμού. Η εγκοπή να εκτελείται κοντά στο επίπεδο του εδάφους.
- Οι ενδεχόμενες διορθώσεις της τομής πρέπει να εκτείνονται σε όλο της το πλάτος.
- **Κόψτε** το δέντρο σε σημείο πάνω από το κάτω άκρο της εγκοπής (D). Η τομή πρέπει να είναι ακριβώς οριζόντια (B). Το διάστημα μεταξύ των δυο τομών (C) πρέπει να είναι κατά προσέγγιση το 1/10 της διαμέτρου του κορμού.
- Το **υλικό μεταξύ των δυο τομών** λειτουργεί ως άρθρωση. Ποτέ να μην το κόψετε τελείως, αλλιώς το δέντρο θα πέσει χωρίς κανέναν έλεγχο. Τοποθετήστε σφήνες υλοτόμησης εγκαίρως.
- Η τομή επιτρέπεται να ασφαλιστεί μόνο με σφήνες από πλαστικό ή αλουμίνιο. Να μη χρησιμοποιείτε σφήνες από σίδηρο. Εάν το πριόνι προσκρούει σε σφήνα σιδήρου, η αλυσίδα μπορεί να υποστεί σοβαρή βλάβη ή να σκιστεί.
- Κατά την κοπή ενός δέντρου να μένετε πάντοτε στο πλάι σε σχέση με τη διεύθυνση πτώσης του δέντρου.
- Κατά την αποχώρηση, μετά την εκτέλεση της κοπής, να επαγρυπνάτε για κλαδιά που πέφτουν.
- Κατά την εργασία σε επικλινές έδαφος ο χρήστης του αλυσοπριονίου πρέπει να παραμείνει πάνω ή πλάγια του κορμού που πρόκειται να κοπεί ή του δέντρου που έχει ήδη κοπεί.
- Να επαγρυπνάτε για τους κορμούς που μπορούν να κυλίσουν προς το μέρος σας.



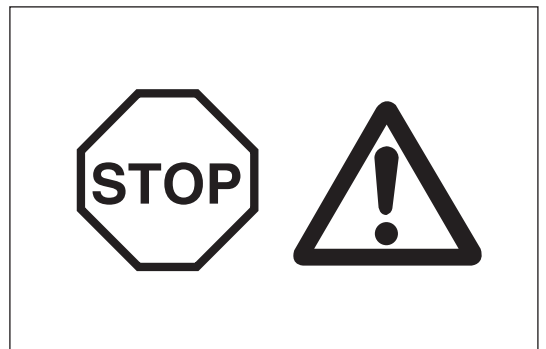
Μεταφορά και αποθήκευση

- Κατά την αλλαγή θέσης σας κατά τη διάρκεια εργασιών σβήστε το αλυσοπρίονο και ενεργοποιήστε το φρένο της αλυσίδας, προκειμένου να αποφευχθεί η ακούσια εκκίνηση της αλυσίδας.
- Ποτέ μην μεταφέρετε κρατώντας στα χέρια σας ή πάνω σε όχημα το αλυσοπρίονο με την αλυσίδα σε λειτουργία. Όταν το πριόνι είναι καυτό, μην το καλύπτετε (με ένα κάλυμμα, κουβέρτα, εφημερίδα ή κάτι παρόμοιο). Αφήστε το πριόνι να κρυώσει πριν το βάλετε στη θήκη αποθήκευσης ή σε ένα όχημα. Τα πριόνια με καταλυτικό μετατροπέα χρειάζονται περισσότερο χρόνο για να κρυώσουν!
- Χρησιμοποιήστε το προστατευτικό κάλυμμα της αλυσίδας κατά την μεταφορά και την αποθήκευση.
- Να μεταφέρετε το αλυσοπρίονο κρατώντας το από το μπροστινό χερούλι. Η οδηγητικά λάμα να κατευθύνεται προς τα πίσω. Αποφύγετε να έρθετε σε επαφή με τον σιγαστήρα (κίνδυνος εγκαυμάτων).
- Τοποθετήστε το αλυσοπρίονο σε μια ασφαλή θέση κατά τη διάρκεια της μεταφοράς του με όχημα για την αποφυγή της διαρροής καυσίμου, της βλάβης ή του τραυματισμού.
- Φυλάξτε το αλυσοπρίονο με ασφάλεια σε ένα ξηρό χώρο. Δεν πρέπει να φυλάσσεται στο ύπαιθρο. Κρατήστε το αλυσοπρίονο μακριά από παιδιά.
- Πριν την αποθήκευση του αλυσοπρίονου για μεγάλο χρονικό διάστημα ή κατά την αποστολή του, τα ρεζερβουάρ καυσίμου και λαδιού θα πρέπει να είναι εντελώς άδεια.
- Εκτελέστε καθαρισμό και συντήρηση πριν την αποθήκευση.



Συντήρηση

- Πριν από την εκτέλεση των εργασιών συντήρησης απενεργοποιήστε το αλυσοπρίονο και βγάλτε την πύπα του μπουζί.
- Πριν ξεκινήσετε την εργασία πάντοτε να ελέγχετε την ασφάλεια λειτουργίας του αλυσοπρίονου και ιδίως την λειτουργία του φρένου της αλυσίδας. Να δίδεται ιδιαίτερη προσοχή στο εάν η αλυσίδα είναι πάντοτε σωστά ακονισμένη και τεντωμένη.
- Χρησιμοποιείτε το αλυσοπρίονο μόνο σε χαμηλά επίπεδα θορύβου και εκπομπών. Για αυτό εξασφαλίστε τη σωστή ρύθμιση του καρμπιρατέρ.
- Να καθαρίζετε τακτικά το αλυσοπρίονο.
- Ελέγξτε τακτικά το σφίξιμο της τάπας του ρεζερβουάρ.
- Τηρήστε τις σχετικές οδηγίες αποτροπής ατυχήματος που εκδίδονται από τις σχετικές εμπορικές ενώσεις και από τις ασφαλιστικές εταιρίες.
- Μην κάνετε καμία τροποποίηση στο αλυσοπρίονο. Θα θέσετε την ασφάλειά σας σε κίνδυνο.
- Εκτελέστε μόνο τις εργασίες συντήρησης και επισκευής που περιγράφονται στο εγχειρίδιο οδηγιών. Όλες οι άλλες εργασίες πρέπει να εκτελούνται από το τμήμα σέρβις της Dolmar.
- Χρησιμοποιείτε μόνο γνήσια ανταλλακτικά και τα αξεσουάρ της Dolmar.
- Η χρήση ανταλλακτικών ή αξεσουάρ εκτός των αυθεντικών της Dolmar και μη εγκεκριμένων συνδυασμών οδηγητικής λάμας/αλυσίδας ή μηκών αλυσίδας εγκυμονεί τον υψηλό κίνδυνο ατυχημάτων. Δεν μπορούμε να δεχτούμε καμία ευθύνη για ατυχήματα και ζημιές που προκύπτουν από τη χρήση συσκευών πριονίσματος ή αξεσουάρ, τα οποία δεν είναι εγκεκριμένα.

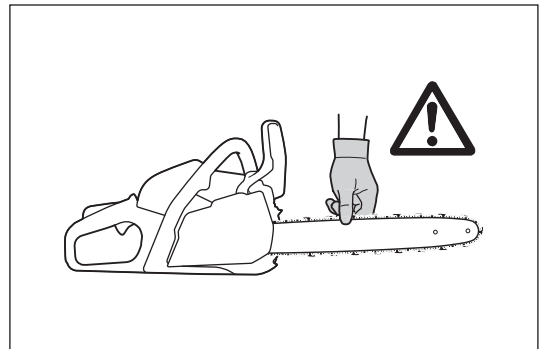


Δόνηση

Τα άτομα με κακό κυκλοφορικό σύστημα τα οποία εκτίθενται σε υπερβολικούς κραδασμούς μπορεί να παρουσιάσουν βλάβη στα αιμοφόρα αγγεία ή στο νευρικό σύστημα.

Οι κραδασμοί ενδέχεται να προκαλέσουν τα ακόλουθα συμπτώματα στα δάχτυλα, στα χέρια ή στους καρπούς: "Κοίμισμα" (μούδιασμα), μυρμηγκίασμα, πόνο, σουβλιές, αλλαγή χρώματος του δέρματος.

Εάν έχετε οποιαδήποτε από αυτά τα συμπτώματα, επισκεφτείτε ένα γιατρό! Για τη μείωση του κινδύνου των λευκών δακτύλων λόγω κραδασμών, κρατήστε τα χέρια σας ζεστά, φοράτε γάντια και βεβαιωθείτε ότι η αλυσίδα πριονιού είναι κοφτερή.

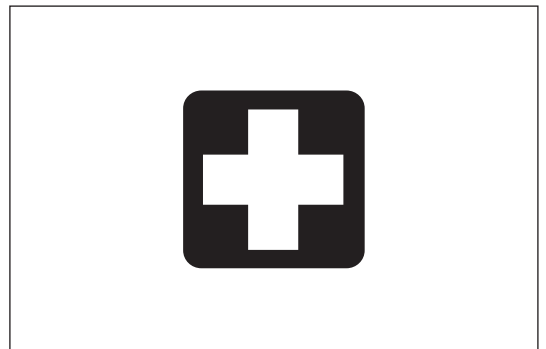


Πρώτες βοήθειες

Για την περίπτωση ατυχήματος, φροντίστε να υπάρχει διαθέσιμο ένα κουτί πρώτων βοηθειών στην περιοχή όπου εκτελούνται οι εργασίες κοπής. Αντικαταστήστε αμέσως το οποιοδήποτε αντικείμενο που πάρθηκε από το κουτί των πρώτων βοηθειών.

Όταν ζητάτε βοήθεια, παρακαλώ παράσχετε τις ακόλουθες πληροφορίες:

- Τόπος του ατυχήματος
- Τι συνέβη
- Αριθμός τραυματισμένων ατόμων
- Είδος των τραυματίων
- Το όνομά σας



Για τις ευρωπαϊκές χώρες μόνο

ΕΚ – Δήλωση συμμόρφωσης

Η δήλωση συμμόρφωσης ΕΚ περιλαμβάνεται ως παράρτημα Α σε αυτό το εγχειρίδιο οδηγιών.

ΤΕΧΝΙΚΑ ΔΕΔΟΜΕΝΑ

Μοντέλο		PS-352	PS-352 TLC
Ολικό μήκος (χωρίς οδηγητική λάμα)	mm	388	
Καθαρό βάρος	kg	4,2	
Όγκος διαδρομής	cm ³	35,2	
Διάμετρος	mm	38	
Διαδρομή	mm	31	
Μέγιστη ισχύς κατά το μαρσάρισμα	kW/min ⁻¹	1,7/10.000	
Μέγιστη ροπή κατά το μαρσάρισμα	Nm/min ⁻¹	2,0/7.000	
Ταχύτητα ρελαντί/μέγιστες στροφές του κινητήρα με τη λάμα και την αλυσίδα	min ⁻¹	2.900/13.500	
Ταχύτητα εμπλοκής συμπλέκτη	min ⁻¹	4.100	
Καρμπυρατέρ	Τύπος	Διάφραγμα	
Μπουζί	Τύπος	NGK BPMR 8Y	
Διάκενο ηλεκτροδίων	mm	0,7	
Χωρητικότητα ρεζερβουάρ καυσίμου	cm ³	310	
Χωρητικότητα ρεζερβουάρ λαδιού αλυσίδας	cm ³	260	
Αναλογία μείγματος (καύσιμο/δύχρονο λάδι) Γνήσιο λάδι της Dolmar ή ποιοτικού βαθμού JASO FC (ISO EGC) ή υψηλότερο		50:1	
Φρένο αλυσίδας		Ενεργοποιείται με το χέρι ή σε περίπτωση κλωστήματος.	
Ταχύτητα αλυσίδας	m/s	25,3	
Βήμα οδοντωτού τροχού	mm (inch)	0,95 (3/8)	
Αριθμός δοντιών	Z	6	
Ηχητική πίεση στο επίπεδο εργασίας L _{PA, eq} κατά ISO 22868 ¹⁾	dB (A)	99	
	K _{PA}	2,5	
Ηχητική ισχύς στο επίπεδο L _{WA, FI + Ra} κατά ISO 22868 ²⁾	dB (A)	111	
	K _{WA}	2,5	
Επιτάχυνση δόνησης a _{nv, eq} κατά ISO 22867 ¹⁾	μπροστινό χερούλι	m/s ²	3,3
		K	2,0
	πίσω χερούλι	m/s ²	3,4
		K	2,0

1) Οι αριθμοί προέρχονται ισομερώς από ρελαντί, πλήρες φορτίο και ταχύτητα μαρσαρίσματος.

2) Οι αριθμοί προέρχονται ισομερώς από πλήρες φορτίο και ταχύτητα μαρσαρίσματος.

• Λόγω του συνεχόμενου προγράμματος που εφαρμόζουμε για έρευνα και ανάπτυξη, τα τεχνικά χαρακτηριστικά στο παρόν έντυπο υπόκεινται σε αλλαγή χωρίς προειδοποίηση.

• Τα τεχνικά χαρακτηριστικά ενδέχεται να διαφέρουν ανάλογα με τη χώρα.

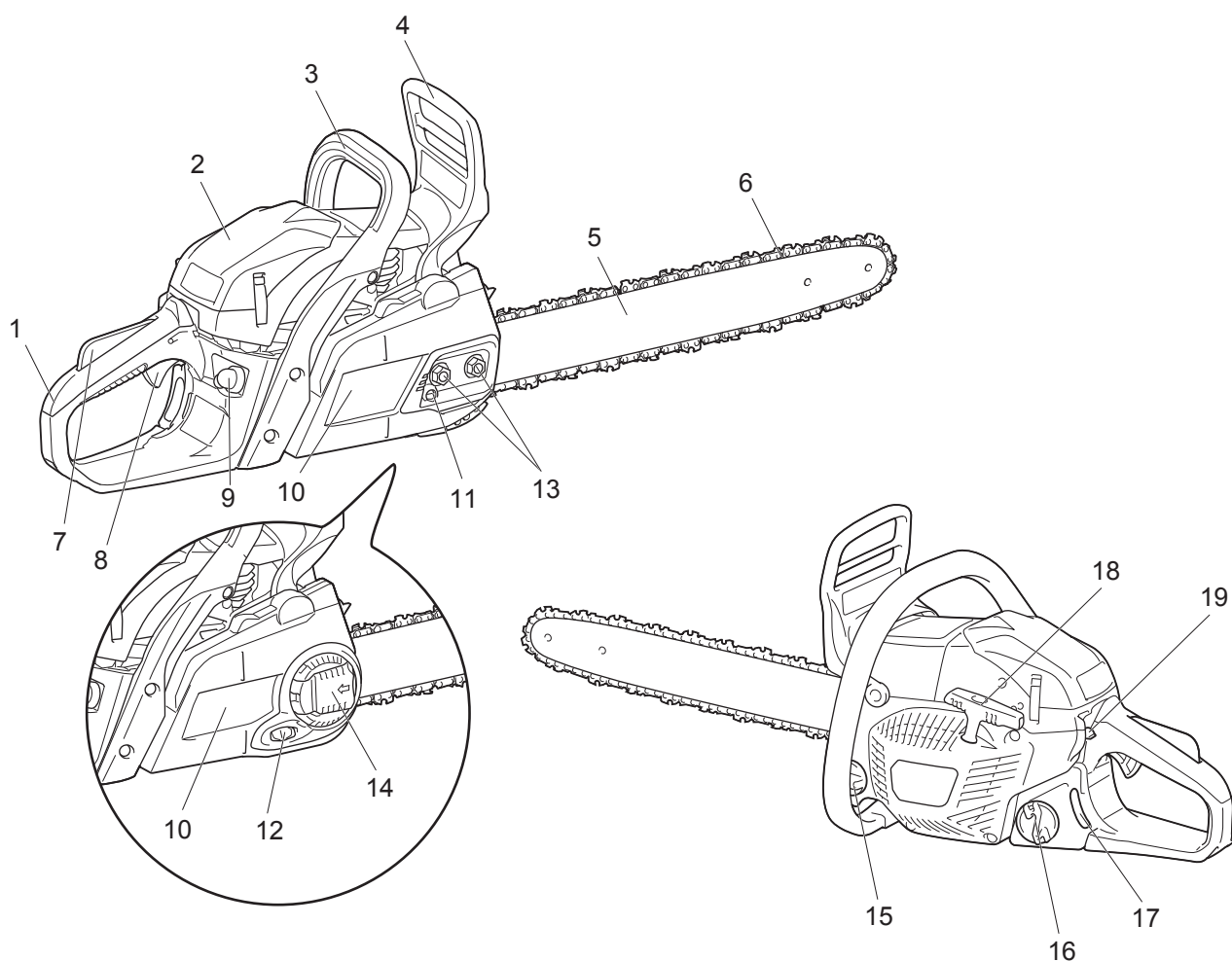
Οδηγητική λάμα και αλυσίδα πριονιού

Τύπος οδηγητικής λάμας		Λάμα μύτης οδοντωτού τροχού	
Μήκος		350 mm	400 mm
Μήκος κοπής		325 mm	360 mm
Αλυσίδα πριονιού	Τύπος	492 (91PX)	
Βήμα αλυσίδας		3/8"	
Ρυθμιστής		1,3 mm (0,05")	
Αριθμός κινητήρων συνδέσμων		52	56

⚠ ΠΡΟΕΙΔΟΠΟΙΗΣΗ:

Χρησιμοποιήστε τον κατάλληλο συνδυασμό οδηγητικής λάμας και αλυσίδας πριονιού. Διαφορετικά μπορεί να προκληθεί σοβαρός τραυματισμός.

ΚΑΘΟΡΙΣΜΟΣ ΕΞΑΡΤΗΜΑΤΩΝ



	Καθορισμός εξαρτημάτων
1	Πίσω χερούλι
2	Κάλυμμα φίλτρου
3	Μπροστινό χερούλι
4	Μπροστινό προστατευτικό χεριού
5	Οδηγητική λάμα
6	Αλυσίδα πριονιού
7	Ξεκλείδωμα σκανδάλης γκαζιού
8	Σκανδάλη γκαζιού
9	Αντλία καυσίμου (Προέγχυση)
10	Κάλυμμα αλυσίδας
11	Βίδα ρύθμισης αλυσίδας
12	Επιλογέας ρύθμισης αλυσίδας
13	Παξιμάδια συγκράτησης
14	Μοχλός
15	Τάπα ρεζερβουάρ λαδιού
16	Τάπα ρεζερβουάρ καυσίμου
17	Ένδειξη στάθμης καυσίμου
18	Λαβή εκκινήτρια
19	Διακόπτης πολλαπλών λειτουργιών

ΛΕΙΤΟΥΡΓΙΑ ΑΣΦΑΛΕΙΑΣ ΤΟΥ ΑΛΥΣΟΠΡΙΟΝΟΥ

⚠ ΠΡΟΕΙΔΟΠΟΙΗΣΗ:

- Οι παρακάτω λειτουργίες ασφαλείας ΔΕΝ εγγυώνται την συνεχή προστασία από τραυματισμούς. **Μόνο η ορθή χρήση και η τεχνική μπορεί να μειώσει τον κίνδυνο κλωστήματος και άλλων επικίνδυνων ατυχημάτων.**
- Πάντοτε να ελέγχετε τις λειτουργίες ασφαλείας πριν από τη χρήση.
- Αν το αλυσοπρίονο δεν επιτύχει σε όλους τους ελέγχους, σβήστε αμέσως τον κινητήρα και ΜΗΝ χρησιμοποιήσετε το αλυσοπρίονο. Επικοινωνήστε με το εξουσιοδοτημένο κέντρο σέρβις της Dolmar.

Φρένο αλυσίδας

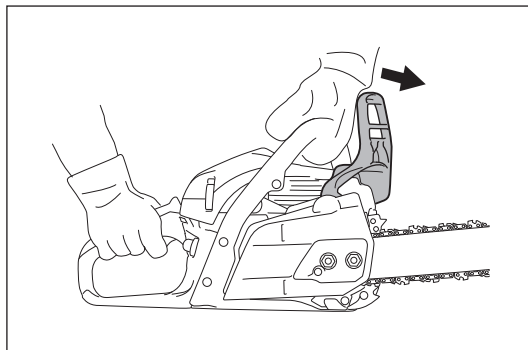
Το φρένο της αλυσίδας είναι σχεδιασμένο για να σταματά την αλυσίδα ως την ακινητοποίηση σε κλάσμα του δευτερολέπτου. Ενεργοποιείται όταν το κλώστημα είναι αρκετά ισχυρό.

Για να ασκηθεί το φρένο με το χέρι, πιέστε το μπροστινό προστατευτικό χεριού προς τα εμπρός (προς το άκρο του πριονιού), με το αριστερό σας χέρι.

Για να απελευθερώσετε το φρένο της αλυσίδας, τραβήξτε το μπροστινό προστατευτικό χεριού προς τα πίσω (προς εσάς).

ΕΙΔΟΠΟΙΗΣΗ:

- Μην επιταχύνετε τον κινητήρα με ενεργοποιημένο το φρένο της αλυσίδας (εκτός αν πρόκειται για δοκιμή).
- Πάντα να απελευθερώνετε το φρένο της αλυσίδας πριν από την έναρξη των εργασιών.



Έλεγχος του φρένου της αλυσίδας

1. Λειτουργήστε τον κινητήρα στο ρελαντί.
2. Κρατήστε το αλυσοπρίονο γερά και με τα δύο χέρια. Κρατάτε το πίσω χερούλι με το δεξί χέρι σας και το μπροστινό χερούλι με αριστερό χέρι σας. Βεβαιωθείτε ότι η οδηγητική λάμα και η αλυσίδα δεν βρίσκονται σε επαφή με κανένα αντικείμενο.
3. Πιέστε το μπροστινό προστατευτικό χεριού χρησιμοποιώντας το πίσω μέρος του χεριού σας, έως ότου να δράσει το φρένο της αλυσίδας.
4. Επιταχύνετε μέχρι ο κινητήρας να φτάσει στην πλήρη ταχύτητα για λιγότερο από 3 δευτερόλεπτα. Διασφαλίστε ότι δεν κινείται η αλυσίδα πριονιού.
5. Επιστρέψτε τον κινητήρα στο ρελαντί και αποδεσμεύστε το φρένο της αλυσίδας.

Έλεγχος του ιμάντα του φρένου

Ο ιμάντας του φρένου βρίσκεται στο πίσω μέρος του καλύμματος της αλυσίδας. Το φρένο της αλυσίδας φθείρεται με το πέρασμα του χρόνου. Πρέπει να ελέγχεται και να συντηρείται από εξουσιοδοτημένο κέντρο σέρβις της Dolmar τουλάχιστον κάθε 3 μήνες.

Θέση ξεκλειδώματος της σκανδάλης γκαζιού

Η θέση ξεκλειδώματος της σκανδάλης του γκαζιού είναι σχεδιασμένη για να να αποτρέψει την ακούσια εκκίνηση. Μπορείτε να τραβήξετε τη σκανδάλη του γκαζιού μόνο όταν είναι πατημένη η θέση ξεκλειδώματος της σκανδάλης του γκαζιού (δηλαδή όταν πιάνετε το χερούλι).

Έλεγχος της θέσης ξεκλειδώματος της σκανδάλης γκαζιού

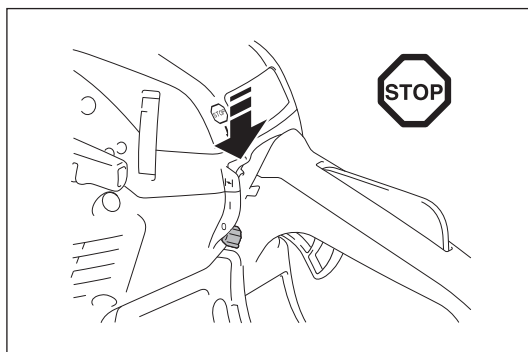
Ελέγξτε ότι η θέση του ξεκλειδώματος της σκανδάλης γκαζιού επιστρέφει στο αρχικό σημείο μετά την απελευθέρωση του πίσω χερουλιού από το χέρι σας.

Σταμάτημα κινητήρα

Βεβαιωθείτε ότι ο κινητήρας σταματά όταν θέλετε να σταματήσετε.

Έλεγχος της διακοπής λειτουργίας του κινητήρα

Ξεκινήστε τον κινητήρα. Στη συνέχεια, αφήστε τη σκανδάλη του γκαζιού και πιέστε προς τα κάτω το διακόπτη πολλαπλών λειτουργιών στη χαμηλότερη (O) θέση.

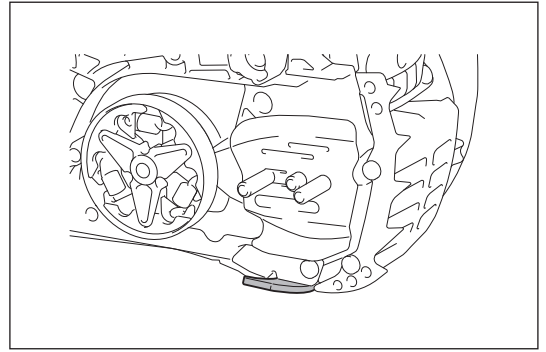


Συγκρατητήρας αλυσίδας

Ο συγκρατητήρας της αλυσίδας έχει σχεδιαστεί έτσι ώστε να συγκρατεί την αλυσίδα, σε περίπτωση που η αλυσίδα του πριονιού πεταχτεί πάνω από την οδηγητική λάμα. Η αλυσίδα του πριονιού δεν πρέπει να πετάγεται αν είναι σωστά τεντωμένη. Πάντοτε να ελέγχετε και να ρυθμίζετε το τέντωμα της αλυσίδας του πριονιού σύμφωνα με το παρόν εγχειρίδιο οδηγιών.

Έλεγχος του συγκρατητήρα της αλυσίδας

Ελέγξτε ότι ο συγκρατητήρας της αλυσίδας δεν έχει υποστεί βλάβη και κάθεται καλά πάνω στο περίβλημα.



ΣΥΝΑΡΜΟΛΟΓΗΣΗ

⚠ ΠΡΟΕΙΔΟΠΟΙΗΣΗ:

- Πριν από την εκτέλεση οποιασδήποτε εργασίας πάνω στην οδηγητική λάμα ή στην αλυσίδα του πριονιού, απενεργοποιείτε πάντοτε τον κινητήρα και να βεβαιώνετε ότι το κοπτικό εργαλείο είναι σταματημένο.
- Φοράτε πάντα προστατευτικά γάντια.

⚠ ΠΡΟΣΟΧΗ:

- Ξεκινήστε το αλυσοπρίονο μόνον αφότου έχει πλήρως συναρμολογηθεί και επιθεωρηθεί.

Εγκατάσταση οδηγητικής λάμας και αλυσίδας πριονιού

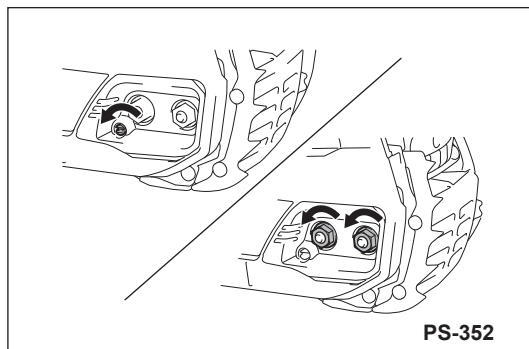
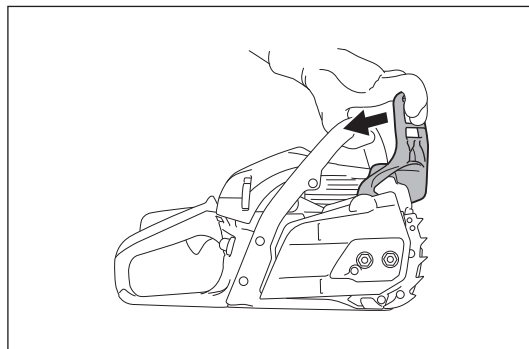
ΕΙΔΟΠΟΙΗΣΗ:

- Η τοποθέτηση ή η αφαίρεση της αλυσίδας πριονιού θα πρέπει να εκτελείται σε καθαρό μέρος χωρίς πριονίδια και παρόμοια ξένα υλικά. Τοποθετήστε το αλυσοπρίονο σε μια σταθερή επιφάνεια και εκτελέστε τα ακόλουθα βήματα:

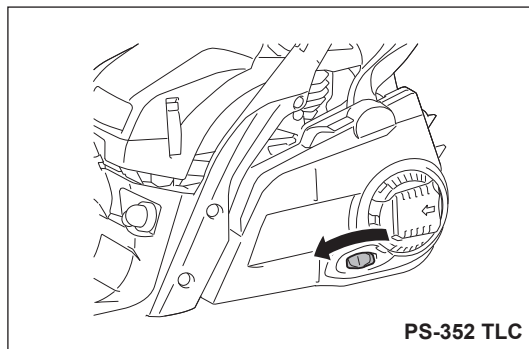
1. Απελευθερώστε το φρένο της αλυσίδας, τραβώντας το μπροστινό προστατευτικό χεριού.
2. Χαλαρώστε πλήρως το τέντωμα της αλυσίδας.
3. (Για το μοντέλο PS-352) ξεβιδώνετε τα παξιμάδια συγκράτησης. (Για το μοντέλο PS-352 TLC) Πιέστε και ανοίξτε πλήρως το μοχλό έως ότου να σταματήσει. Στρέψτε το μοχλό αριστερόστροφα.
4. Αφαιρέστε το κάλυμμα της αλυσίδας.

ΕΙΔΟΠΟΙΗΣΗ:

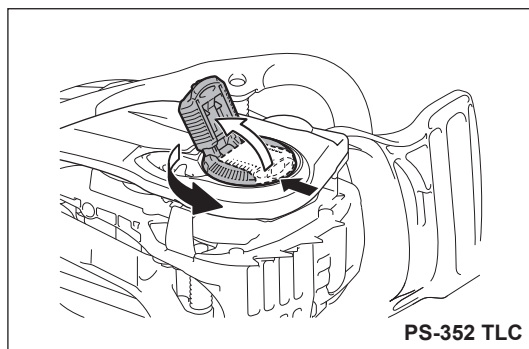
- Δεν μπορείτε να αφαιρέσετε το κάλυμμα της αλυσίδας χωρίς προηγουμένως να έχετε ελευθερώσει το φρένο της αλυσίδας.



PS-352



PS-352 TLC



PS-352 TLC

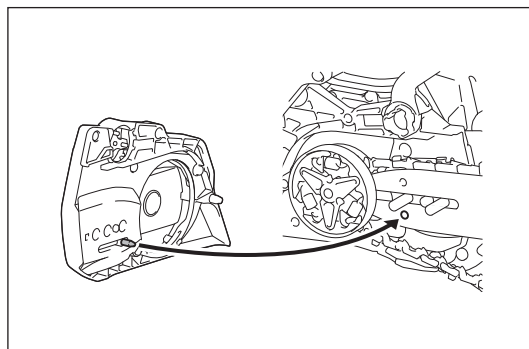
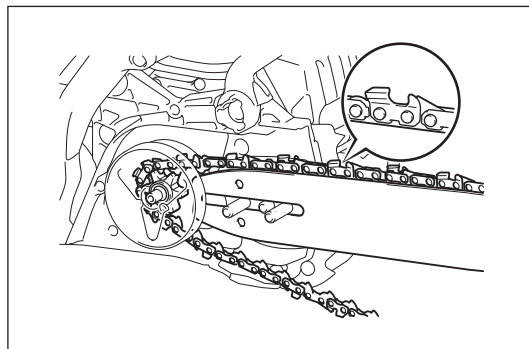
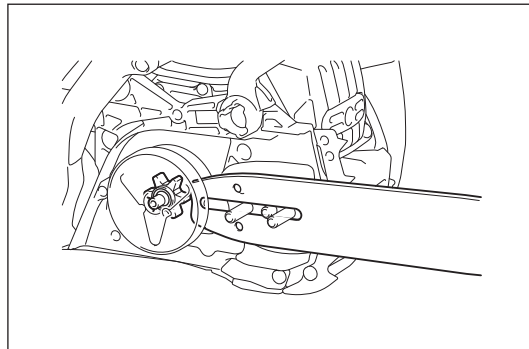
5. Τοποθετήστε την οδηγητική λάμα πάνω στα μπουλόνια της λάμας.
6. Ελέγξτε την κατεύθυνση της αλυσίδας του πριονιού. Τα βέλη πάνω στην αλυσίδα του πριονιού πρέπει να δείχνουν προς την ίδια κατεύθυνση με το βέλος στο περίβλημα του πριονιού.
7. Τοποθετήστε πρώτα την αλυσίδα του πριονιού πάνω στον οδοντωτό τροχό και στη συνέχεια εφαρμόστε την αλυσίδα του πριονιού πάνω στον άκρο της οδηγητικής λάμας.
8. Τοποθετήστε το κάλυμμα της αλυσίδας με τον ρυθμιστικό πείρο να μπαίνει στην τρύπα της οδηγητικής λάμας.

ΕΙΔΟΠΟΙΗΣΗ:

- Σηκώστε την αλυσίδα του πριονιού πάνω από το συγκρατητή της αλυσίδας.
9. (Για το μοντέλο PS-352) Σφίξτε τα παξιμάδια συγκράτησης για να στερεώσετε το κάλυμμα της αλυσίδας, έπειτα χαλαρώστε τα λιγάκι για τη ρύθμιση της τάσης. (Για το μοντέλο PS-352 TLC) Περιστρέψτε το μοχλό δεξιόστροφα για να στερεώσετε το κάλυμμα της αλυσίδας, έπειτα χαλαρώστε τον λιγάκι για τη ρύθμιση της τάσης.
 10. Ρυθμίστε το τέντωμα της αλυσίδας πριονιού. (Ανατρέξτε στην ενότητα "Ρύθμιση τεντώματος της αλυσίδας πριονιού" βήμα 3 και επακόλουθα.)

ΣΗΜΕΙΩΣΗ:

- Προκειμένου να διασφαλιστεί η ομοιόμορφη φθορά της οδηγητικής λάμας ή λάμα θα πρέπει να αναστρέφεται κάθε φορά που αντικαθίσταται η αλυσίδα.



Ρύθμιση τεντώματος της αλυσίδας πριονιού

⚠ ΠΡΟΣΟΧΗ:

- Μια υπερβολικά χαλαρή αλυσίδα πριονιού μπορεί να πεταχτεί από τη λάμα, και ως εκ τούτου εγκυμονεί κίνδυνο ατυχήματος. Ρυθμίστε την αλυσίδα του πριονιού αν είναι πολύ χαλαρή.
- Το υπερβολικά έντονο τέντωμα της αλυσίδας του πριονιού ενδέχεται να προκαλέσει το σπάσιμο της αλυσίδας του πριονιού, τη φθορά της οδηγητικής λάμας και το σπάσιμο βίδας ρύθμισης/επιλογέας ρύθμισης.

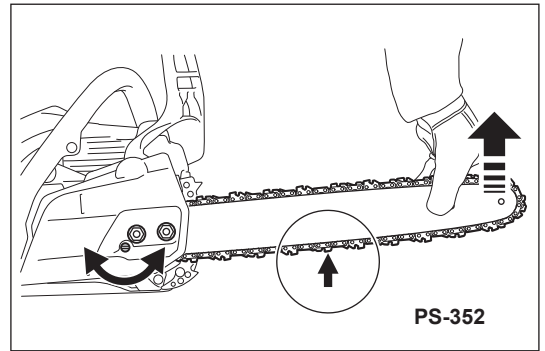
Η αλυσίδα του πριονιού μπορεί να χαλαρώσει μετά από αρκετές ώρες χρήσης. Όταν αλλάζετε την αλυσίδα του πριονιού ή μετά από κάποιες ώρες λειτουργίας, ελέγξτε το τέντωμα της αλυσίδας του πριονιού πριν από τη χρήση. Η σωστά ρυθμισμένη αλυσίδα του πριονιού συμβάλλει στην καλή απόδοση και στη μακρά διάρκεια ζωής του εργαλείου.

Το τέντωμα της αλυσίδας είναι σωστό εάν η αλυσίδα στηρίζεται πάνω στην κάτω πλευρά της οδηγητικής λάμας ενώ παράλληλα μπορεί να περιστραφεί εύκολα με το χέρι.

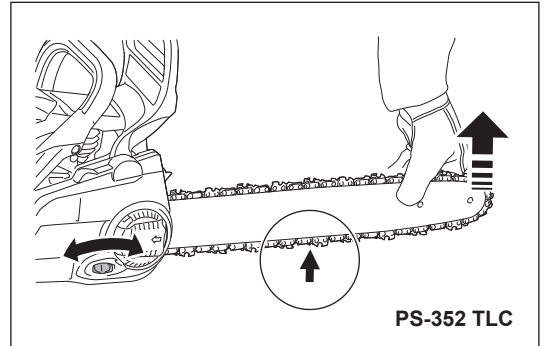
Ελέγξτε το τέντωμα της αλυσίδας συχνά, οι καινούργιες αλυσίδες τείνουν να μακραίνουν κατά τη διάρκεια της χρήσης.

Για να ρυθμίσετε το τέντωμα της αλυσίδας του πριονιού, εκτελέστε την ακόλουθη διαδικασία:

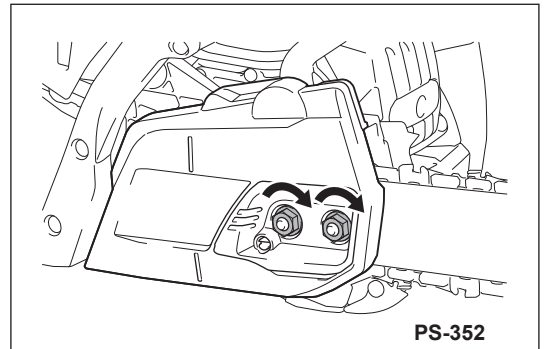
1. Απελευθερώστε το φρένο της αλυσίδας, τραβώντας το μπροστινό προστατευτικό χεριού.
2. (Για το μοντέλο PS-352) Ξεβιδώνετε λίγο τα παξιμάδια συγκράτησης για να ξεσφίξετε το κάλυμμα της αλυσίδας.
(Για το μοντέλο PS-352 TLC) Πιέστε και ανοίξτε πλήρως το μοχλό έως ότου να σταματήσει. Περιστρέψτε λίγο το μοχλό αριστερόστροφα για να ξεσφίξει το κάλυμμα της αλυσίδας.
3. Ανασηκώστε ελαφρώς και κρατήστε το άκρο της οδηγητικής λάμας.
4. (Για το μοντέλο PS-352) Περιστρέψτε τη βίδα ρύθμισης της αλυσίδας για να ρυθμίσετε το τέντωμα της αλυσίδας του πριονιού.
(Για το μοντέλο PS-352 TLC) Περιστρέψτε τον επιλογέα ρύθμισης της αλυσίδας για να ρυθμίσετε το τέντωμα της αλυσίδας του πριονιού.
5. Ρυθμίστε το τέντωμα της αλυσίδας έως ότου η κάτω πλευρά της αλυσίδας του πριονιού να ταιριάζει στη ράγια της οδηγητικής λάμας (δείτε τον κύκλο στην εικόνα).
Κατά τη ρύθμιση του τεντώματος της αλυσίδας, διατηρήστε ανασηκωνοντας το άκρο της οδηγητικής λάμας.
6. Συνεχίστε να κρατάτε ελαφρά την οδηγητική λάμα και στη συνέχεια σφίξτε το κάλυμμα της αλυσίδας μετά τη ρύθμιση του τεντώματος της αλυσίδας.
(Για το μοντέλο PS-352) Σφίξτε τα παξιμάδια συγκράτησης για να στερεώσετε το κάλυμμα της αλυσίδας.
(Για το μοντέλο PS-352 TLC) Περιστρέψτε το μοχλό πλήρως δεξιόστροφα για ασφαλίστε το κάλυμμα της αλυσίδας. Στη συνέχεια πιέστε και κλείστε το μοχλό.
7. Βεβαιωθείτε ότι η αλυσίδα πριονιού δεν είναι χαλαρή στην κάτω πλευρά αλλά ταιριάζει άνετα στην κάτω πλευρά της λάμας.



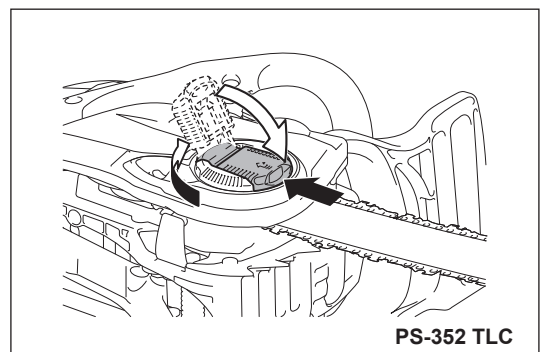
PS-352



PS-352 TLC



PS-352



PS-352 TLC

ΠΡΙΝ ΑΠΟ ΤΗ ΧΡΗΣΗ

⚠ ΠΡΟΕΙΔΟΠΟΙΗΣΗ:

- ΑΠΟΦΥΓΕΤΕ ΤΗΝ ΕΠΑΦΗ ΜΕ ΤΟ ΔΕΡΜΑ ΚΑΙ ΤΑ ΜΑΤΙΑ. Τα προϊόντα ορυκτελαίου απολιπαίνουν το δέρμα σας. Αν το δέρμα σας έρχεται σε επαφή με τις ουσίες αυτές επανειλημμένα και για μεγάλο χρονικό διάστημα μπορούν ξηράνουν το δέρμα σας. Μπορούν να προκληθούν διάφορες δερματικές παθήσεις. Επιπρόσθετα είναι γνωστό ότι προκαλούνται αλλεργικές αντιδράσεις. Τα μάτια μπορούν αν ερεθιστούν ερχόμενα σε επαφή με το λάδι. Εάν το λάδι έρθει σε επαφή με τα μάτια σας, να τα πλύνετε αμέσως με καθαρό νερό. Αν τα μάτια σας παραμείνουν ερεθισμένα επισκεφτείτε ένα γιατρό αμέσως.

Καύσιμο

⚠ ΠΡΟΣΟΧΗ:

- Να είστε ιδιαίτερα προσεκτικοί κατά το χειρισμό βενζίνης.
- Μην καπνίζετε. Κρατήστε το εργαλείο μακριά από γυμνές φλόγες, σπινθήρες, ή φωτιά (κίνδυνος έκρηξης).

Μείγμα καυσίμου

Το εργαλείο αυτό τροφοδοτείται από έναν υψηλής-απόδοσης αερόψυκτο δίχρονο κινητήρα. Λειτουργεί με ένα μείγμα βενζίνης και λαδιού δίχρονου κινητήρα. Ο κινητήρας έχει σχεδιαστεί για απλή αμόλυβδη βενζίνη με ελάχιστο αριθμό οκτανίων τα 91 RON (89 AKI) και με περιεκτικότητα σε αιθανόλη όχι περισσότερο από 10%. Σε περίπτωση που δεν είναι διαθέσιμο το εν λόγω καύσιμο, μπορείτε να χρησιμοποιήσετε καύσιμο με υψηλότερη τιμή οκτανίων. Αυτό δεν θα επηρεάσει τον κινητήρα.

Προκειμένου να επιτευχθεί η βέλτιστη απόδοση του κινητήρα και η προστασία της υγείας σας και του περιβάλλοντος χρησιμοποιείτε μόνο αμόλυβδο καύσιμο.

Για τη λίπανση του κινητήρα, χρησιμοποιήστε συνθετικό λάδι για δίχρονους αερόψυκτους κινητήρες (Γνήσιο λάδι της Dolmar ή ποιοτικού βαθμού JASO FC (ISO EGC) ή υψηλότερο). Αναμείξτε λάδι κινητήρα με καύσιμο.

⚠ ΠΡΟΣΟΧΗ:

- Μην χρησιμοποιείτε έτοιμα αναμειγμένα καύσιμα από πρατήρια καυσίμων. Η σωστή αναλογία μείγματος: 50:1 δηλαδή αναμείξτε 50 μέρη βενζίνης με 1 μέρος λαδιού.

ΣΗΜΕΙΩΣΗ:

- Για την προετοιμασία του μείγματος καυσίμου-λαδιού πρώτα αναμείξτε το σύνολο της ποσότητας του λαδιού με το ήμισυ της ποσότητας του απαιτούμενου καυσίμου και στη συνέχεια, προσθέστε το υπόλοιπο του καυσίμου. Αναδεύστε καλά το μείγμα πριν το γέμισμα του ρεζερβουάρ του αλυσοπρίνου.

Μην προσθέτετε περισσότερο λάδι κινητήρα από το καθορισμένο. Η εσφαλμένη αναλογία μείγματος λαδιού προκαλεί την δημιουργία περισσότερων ρυτιγόνων υπολειμμάτων καύσης. Προκαλεί επίσης μπλοκάρισμα του καναλιού της εξάτμισης στον κύλινδρο και στο σιγαστήρα και προκαλεί κακή απόδοση και υπερβολική κατανάλωση καυσίμου.

Η αποθήκευση καυσίμου

Τα καύσιμα έχουν περιορισμένη διάρκεια αποθήκευσης. Τα μείγματα καυσίμων υποβαθμίζονται λόγω εξάτμισης, ιδιαίτερα σε υψηλές θερμοκρασίες. Τα υποβαθμισμένα καύσιμα και τα μείγματα καυσίμων μπορεί να προκαλέσουν προβλήματα εκκίνησης και βλάβη στον κινητήρα. Αγοράζετε μόνο την ποσότητα του καυσίμου, που θα καταναλωθεί κατά τη διάρκεια των επόμενων μερικών μηνών. Σε υψηλές θερμοκρασίες, όταν το καύσιμο έχει αναμειχθεί θα πρέπει να χρησιμοποιηθεί μέσα σε 6-8 εβδομάδες. Διατηρήστε το καύσιμο μόνο μέσα σε κατάλληλα δοχεία, σε ξηρούς, δροσερούς, ασφαλείς χώρους.

Λάδι αλυσίδας

Χρησιμοποιήστε λάδι με κολλητική πρόσθετη ύλη για τη λίπανση της αλυσίδας και της οδηγητικής λάμας. Η πρόσθετη συγκολλητική ύλη εμποδίζει το λάδι από το να πετάγεται από την αλυσίδα πολύ γρήγορα.

Συστήνουμε τη χρήση αυθεντικού λαδιού αλυσίδας της Dolmar ή βιοδιασπώμενου λαδιού αλυσίδας, προκειμένου να προστατευθεί το περιβάλλον. Η χρήση του βιοδιασπώμενου λαδιού μπορεί ακόμη και να επιβάλλεται από τοπικούς κανονισμούς.

Το βιοδιασπώμενο λάδι είναι σταθερό μόνο για περιορισμένο χρονικό διάστημα. Χρησιμοποιήστε το εντός 2 ετών από την ημερομηνία κατασκευής (αναγράφεται στο δοχείο).

Σημαντική σημείωση σχετικά με βιοδιασπώμενα λάδια αλυσίδας

Εάν δεν σκοπεύετε να χρησιμοποιήσετε το πριόνι και πάλι για μεγάλο χρονικό διάστημα, αδειάστε το ρεζερβουάρ λαδιού και τοποθετήστε μια μικρή ποσότητα κανονικού λαδιού κινητήρα (SAE 30) και κατόπιν λειτουργήστε για λίγο το πριόνι. Αυτό είναι απαραίτητο για να απομακρυνθούν όλα τα κατάλοιπα του βιοδιασπώμενου λαδιού από το ρεζερβουάρ λαδιού, το δίκτυο τροφοδοσίας λαδιού, την αλυσίδα και την οδηγητική λάμα, επειδή πολλά τέτοια λάδια έχουν την τάση της προσκόλλησης με το χρόνο, προκαλώντας έτσι ζημιές στην αντλία λαδιού ή σε άλλα μέρη.

ΠΟΤΕ ΜΗΝ ΚΑΝΕΤΕ ΧΡΗΣΗ ΧΡΗΣΙΜΟΠΟΙΗΜΕΝΟΥ ΛΑΔΙΟΥ

Το χρησιμοποιημένο λάδι είναι πολύ επικίνδυνο για το περιβάλλον. Το χρησιμοποιημένο λάδι περιέχει υψηλές ποσότητες καρκινογόνων ουσιών. Τα κατάλοιπα που περιέχονται στο χρησιμοποιημένο λάδι οδηγούν στη μεγάλη φθορά της αντλίας λαδιού και της συσκευής πριονίσματος. Σε περίπτωση ζημίας που προκαλείται από τη χρήση χρησιμοποιημένου λαδιού ή ακατάλληλου λαδιού αλυσίδας, η εγγύηση του προϊόντος θα θεωρείται άκυρη.

Ανεφοδιασμός καυσίμου και πλήρωση λαδιού αλυσίδας

⚠ ΠΡΟΕΙΔΟΠΟΙΗΣΗ:

- ΑΚΟΛΟΥΘΗΣΤΕ ΤΙΣ ΠΡΟΦΥΛΑΞΕΙΣ ΑΣΦΑΛΕΙΑΣ. Να είστε προσεκτικοί και επιφυλακτικοί κατά τον χειρισμό καυσίμων.
- Απενεργοποιήστε το εργαλείο.

⚠ ΠΡΟΣΟΧΗ:

- Καθαρίστε την τάπα του ρεζερβουάρ και την περιοχή γύρω από το ρεζερβουάρ, μετά τον ανεφοδιασμό καυσίμου.

Ανεφοδιάστε καύσιμο ή πληρώστε με λάδι αλυσίδας ως εξής:

1. Καθαρίστε σχολαστικά την περιοχή γύρω από τις τάπες, για την πρόληψη της εισχώρησης βρωμιάς στο ρεζερβουάρ καυσίμου ή λαδιού.
2. Ξεβιδώστε την τάπα και γεμίστε το κάθε ρεζερβουάρ με καύσιμο (μείγμα καυσίμου/λαδιού) και λάδι αλυσίδας αντιστοίχως.
3. Γεμίστε μέχρι το κάτω χείλος του στομίου πλήρωσης. Προσέξτε να μην διαρρεύσει το καύσιμο ή το λάδι της αλυσίδας!
4. Σφίξτε τις τάπες των ρεζερβουάρ με το χέρι όσο πάει.

Λίπανση της αλυσίδας

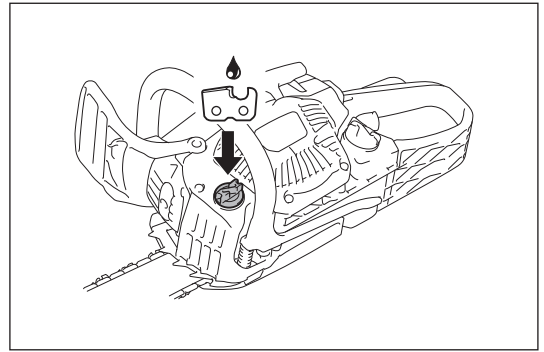
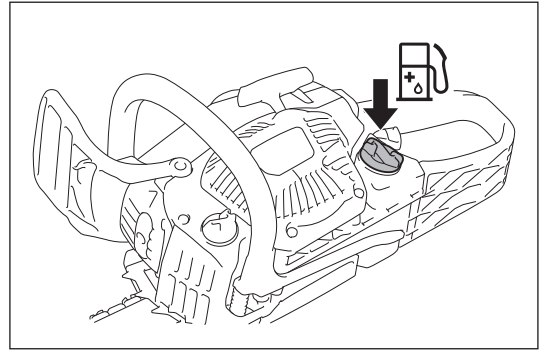
⚠ ΠΡΟΕΙΔΟΠΟΙΗΣΗ:

- Ελέγξτε το ρεζερβουάρ λαδιού της αλυσίδας μόνο όταν ο κινητήρας είναι απενεργοποιημένος.

Βεβαιωθείτε ότι κατά τη διάρκεια της λειτουργίας υπάρχει επαρκές λάδι αλυσίδας στο ρεζερβουάρ λαδιού για την παροχή καλής λίπανσης στην αλυσίδα.

Σε μεσαίο ρυθμό τροφοδοσίας λαδιού, η χωρητικότητα του ρεζερβουάρ λαδιού είναι επαρκής για την κατανάλωση ενός ρεζερβουάρ καυσίμου.

Πριν από τη λειτουργία ή τον ανεφοδιασμό, ελέγξτε τη στάθμη του λαδιού της αλυσίδας και πληρώστε εάν είναι απαραίτητο.



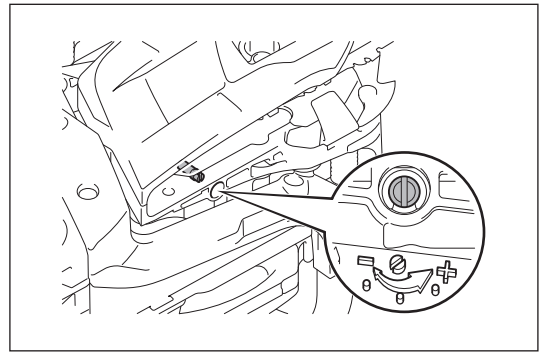
Ρύθμιση της λίπανσης της αλυσίδας

⚠ ΠΡΟΕΙΔΟΠΟΙΗΣΗ:

- Απενεργοποιήστε το εργαλείο.

Μπορείτε να ρυθμίσετε το ρυθμό τροφοδοσίας της αντλίας λαδιού με τη βίδα ρύθμισης. Υπάρχουν τρεις ρυθμοί τροφοδοσίας της αντλίας λαδιού, υψηλή, μέση ή χαμηλή.

Η βίδα ρύθμισης βρίσκεται στο κάτω μέρος του αλυσοπρίνου. Χρησιμοποιήστε ένα κατσαβίδι για να ρυθμίσετε καταλλήλως την ποσότητα παροχής λαδιού.



Καθαρισμός του οδηγού λαδιού

Για την εξασφάλιση της ασφαλούς λειτουργίας της αντλίας λαδιού, καθαρίστε τακτικά την αυλάκωση οδήγησης λαδιού στο περίβλημα και την τρύπα εισόδου του λαδιού στην οδηγητική λάμα.

Έλεγχος της λίπανσης της αλυσίδας

⚠ ΠΡΟΣΟΧΗ:

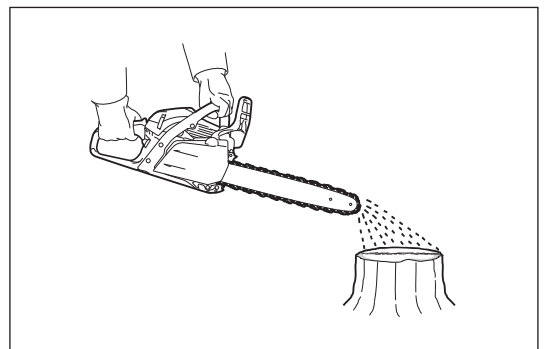
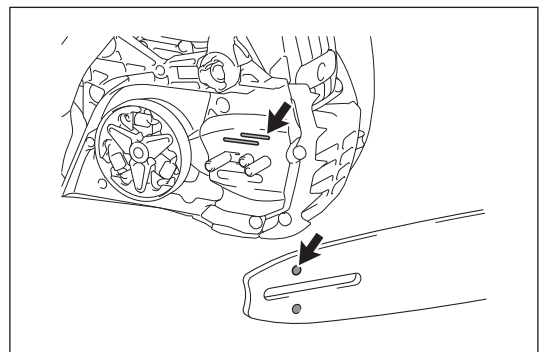
- Ποτέ μην εργάζεστε με το αλυσοπρίνο χωρίς να είναι επαρκής η λίπανση της αλυσίδας. Διαφορετικά, θα μειωθεί η διάρκεια ζωής της αλυσίδας του πριονιού και της οδηγητικής λάμας.
- Πριν ξεκινήσετε οποιαδήποτε εργασία, ελέγξτε τη στάθμη λαδιού στο ρεζερβουάρ και την τροφοδοσία του λαδιού.
- Δώστε προσοχή στην κατεύθυνση του ανέμου και αποφύγετε την άσκοπη έκθεση στον ψεκασμό λαδιού.

Ελέγξτε την τροφοδοσία λαδιού ως εξής:

1. Ξεκινήστε το αλυσοπρίνο.
2. Κρατήστε το κινούμενο αλυσοπρίνο περίπου 15 cm (6") πάνω από ένα κορμό ή από το έδαφος (χρησιμοποιήστε μια κατάλληλη βάση).
3. Αν η λίπανση είναι επαρκής, μπορείτε να δείτε ένα ενδεικτικό ίχνος λαδιού επειδή το λάδι έχει διασπαρθεί από την αλυσίδα.

ΣΗΜΕΙΩΣΗ:

- Μετά τη διακοπή της λειτουργίας του αλυσοπρίνου είναι φυσιολογική η πιθανή εξαγωγή για μικρό χρονικό διάστημα μικρών υπολειπόμενων ποσοτήτων λαδιού από το σύστημα τροφοδοσίας του λαδιού, την οδηγητική λάμα και την αλυσίδα. Αυτό δεν υποδηλώνει βλάβη. Τοποθετήστε το πριόνι σε μια κατάλληλη επιφάνεια.



ΞΕΚΙΝΗΜΑ ΚΑΙ ΣΤΑΜΑΤΗΜΑ ΤΟΥ ΚΙΝΗΤΗΡΑ

⚠ ΠΡΟΕΙΔΟΠΟΙΗΣΗ:

- Μην ξεκινάτε τον κινητήρα πριν την πλήρη συναρμολόγηση και τον έλεγχο του αλυσοπρίονου.

⚠ ΠΡΟΣΟΧΗ:

- Απομακρυνθείτε τουλάχιστον 3 μέτρα (10 πόδια) μακριά από τον τόπο στον οποίο προστέθηκε καύσιμο στο αλυσοπρίονο.
- Βεβαιωθείτε ότι έχετε σταθερό πάτημα και τοποθετήστε το πριόνι στο έδαφος.
- Βεβαιωθείτε ότι η οδηγητική λάμα και η αλυσίδα του πριονιού δεν αγγίζουν το σιδήποτε.
- Μην ξεχάσετε να ενεργοποιήσετε το φρένο της αλυσίδα πριν από την εκκίνηση του κινητήρα.

ΕΙΔΟΠΟΙΗΣΗ:

- Ποτέ να μην τραβήξετε το σχοινί μέχρι τέρμα.
- Επαναφέρετε τη λαβή του εκκινητήρα μέσα στο περίβλημα. Διαφορετικά η λαβή του εκκινητήρα μπορεί να χτυπήσει το σώμα σας ή μπορεί να μην επανατυλιχθεί καταλλήλως.
- Ο κινητήρας πρέπει να τοποθετηθεί στο ρελαντί αμέσως μετά την εκκίνηση. Εάν όχι, ο συμπλέκτης μπορεί να υποστεί ζημιά, επικοινωνήστε με εξουσιοδοτημένο κέντρο σέρβις.

Εκκίνηση του κινητήρα

- Ενεργοποιήστε το φρένο της αλυσίδας (κλείδωμα).
- Κρατήστε το μπροστινό χερούλι σταθερά με το ένα χέρι και πιέστε το αλυσοπρίονο έναντι του εδάφους.
- Κρατήστε κάτω τον πίσω προφυλακτήρα του χεριού με το δεξί σας πόδι.
- Ξεκινήστε τον κινητήρα σύμφωνα με τις καταστάσεις του κινητήρα ως εξής.

Εκκίνηση εν ψυχρώ

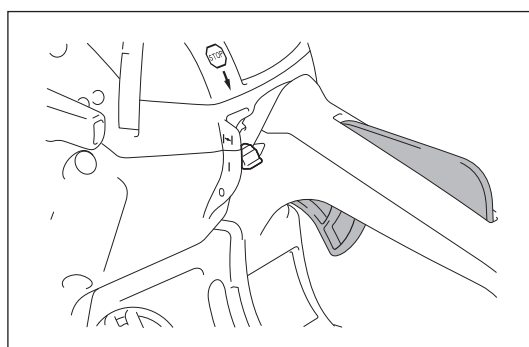
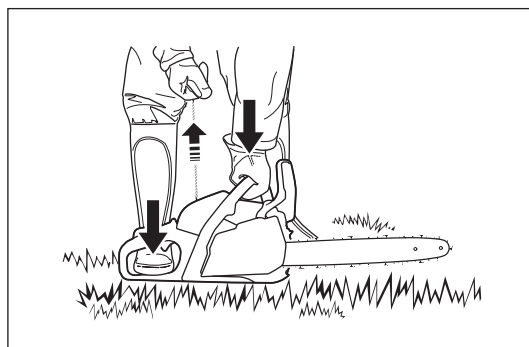
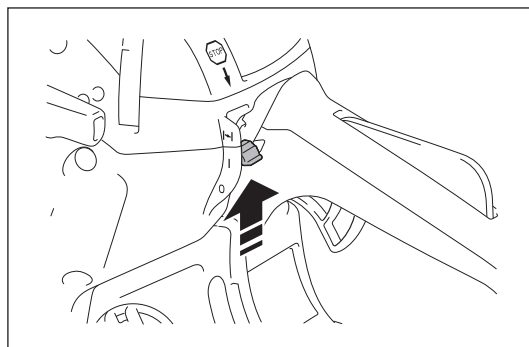
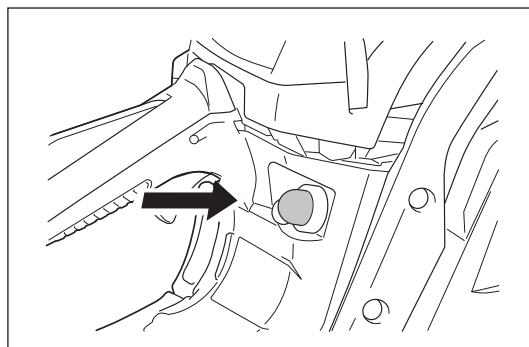
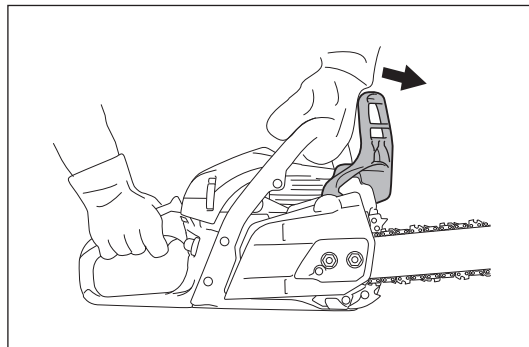
Όταν ο κινητήρας δεν χρησιμοποιείται ακριβώς πριν από την εκκίνηση, εκτελέστε τα ακόλουθα βήματα:

- Σπρώξτε την αντλία προέγχυσης αρκετές φορές έως ότου το καύσιμο να εισέλθει μέσα στην αντλία προέγχυσης. (Γενικά, 7 έως 10 ωθήσεις.)
- Μετακινήστε προς τα πάνω το διακόπτη πολλαπλών λειτουργιών (θέση αέρα). Αυτός επίσης ενεργοποιεί το κλείδωμα του μισού γκαζιού.
- Τραβήξτε τη λαβή του εκκινητήρα αργά έως ότου να αισθανθείτε συμπίεση. Μετά τραβήξτε το γερά. Μπορεί να απαιτηθούν δυο έως τέσσερις προσπάθειες έως ότου ξεκινήσει ο κινητήρας.
- Μόλις ξεκινήσει ο κινητήρας, μετακινήστε το διακόπτη πολλαπλών λειτουργιών στην μεσαία θέση (I). Στη συνέχεια, τραβήξτε έντονα ξανά τη λαβή του εκκινητήρα μέχρι να αρχίσει να λειτουργεί ο κινητήρας.
- Πιάστε την πίσω χειρολαβή (το ξεκλείδωμα της σκανδάλης του γκαζιού ελευθερώνεται από το πιάσιμο) και τραβήξτε τη σκανδάλη του γκαζιού για λίγο και μετά αφήστε την.
- Ελευθερώστε το φρένο της αλυσίδας.

Θερμή εκκίνηση

Όταν ο κινητήρας χρησιμοποιείται λίγο πριν από την εκκίνηση και είναι ακόμη ζεστός, εκτελέστε τα ακόλουθα βήματα:

- Σπρώξτε την αντλία προέγχυσης αρκετές φορές έως ότου το καύσιμο να εισέλθει μέσα στην αντλία προέγχυσης. (Γενικά, 7 έως 10 ωθήσεις.)
- Μετακινήστε το διακόπτη πολλαπλών λειτουργιών (θέση αέρα) και στη συνέχεια πίσω στη μεσαία θέση (I).
- Τραβήξτε τη λαβή του εκκινητήρα αργά έως ότου να αισθανθείτε συμπίεση. Μετά τραβήξτε το γερά. Μπορεί να απαιτηθούν δυο έως τέσσερις προσπάθειες έως ότου ξεκινήσει ο κινητήρας. Εάν ο κινητήρας δεν ξεκινάει, εκτελέστε τα βήματα της ψυχρής εκκίνησης (δείτε την ενότητα "Εκκίνηση εν ψυχρώ"). Όταν αρχίσει ο κινητήρας να λειτουργεί, πιάστε την πίσω χειρολαβή (το ξεκλείδωμα της σκανδάλης του γκαζιού ελευθερώνεται από το πιάσιμο) και τραβήξτε τη σκανδάλη του γκαζιού για λίγο και μετά αφήστε την.
- Ελευθερώστε το φρένο της αλυσίδας.

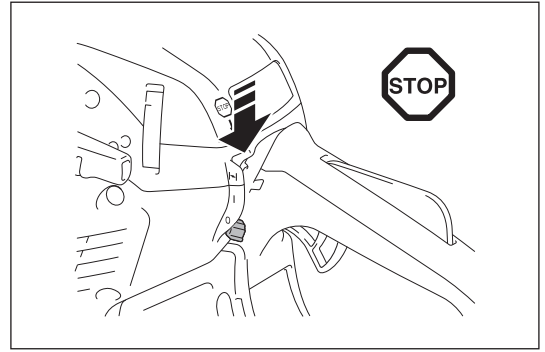


Σταμάτημα του κινητήρα

Αφήστε τη σκανδάλη του γκαζιού και πιέστε προς τα κάτω το διακόπτη πολλαπλών λειτουργιών στη χαμηλότερη (O) θέση.

Ο διακόπτη πολλαπλών λειτουργιών επανέρχεται αυτόματα στη θέση (I). Ο κινητήρας σταματά με κλειστό αυτό το διακόπτη αλλά είναι έτοιμος να ξεκινήσει.

Για να διακόψετε το ρεύμα ανάφλεξης, πιέστε το διακόπτη πολλαπλών λειτουργιών σε όλη τη διαδρομή του περνώντας από το σημείο αντίστασης για να κλειδώσει στη θέση (O).



Ρύθμιση της ταχύτητας του ρελαντί

⚠ ΠΡΟΕΙΔΟΠΟΙΗΣΗ:

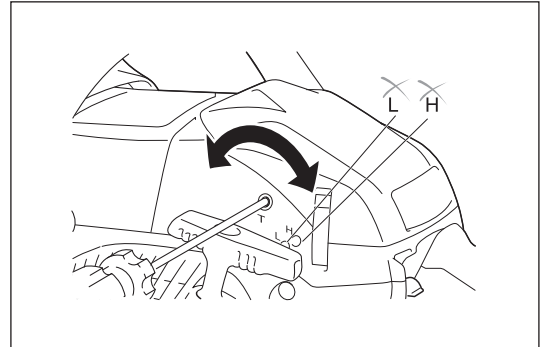
- Μην ρυθμίσετε την ταχύτητα του ρελαντί πριν την πλήρη συναρμολόγηση και τον έλεγχο του αλυσοπριονίου.
- Αν η αλυσίδα του πριονιού εξακολουθεί να κινείται στο ρελαντί ακόμη και μετά από τη ρύθμιση, σταματήστε τη χρήση του αλυσοπριονίου αμέσως και παραδώστε το για επισκευή σε ένα εξουσιοδοτημένο κέντρο σέρβις της Dolmar.

⚠ ΠΡΟΣΟΧΗ:

- Μην ρυθμίσετε τις βίδες (H) και (L) στην εικόνα. Αν η αλυσίδα του πριονιού κινείται στο ρελαντί χωρίς το πάτημα της σκανδάλης του γκαζιού τότε είναι απαραίτητο να διορθωθεί η ταχύτητα του ρελαντί.

Ρυθμίστε την ταχύτητα του ρελαντί ως εξής:

- Ξεκινήστε και προθερμάνετε τον κινητήρα για δυο ή τρία λεπτά, αλλά μην λειτουργήσετε τον κινητήρα σε υψηλή ταχύτητα.
- Για να μειώσετε την ταχύτητα του ρελαντί, στρίψτε αριστερόστροφα τη βίδα ρύθμισης.
- Για να αυξήσετε την ταχύτητα του ρελαντί, στρίψτε δεξιόστροφα τη βίδα ρύθμισης.
- Βεβαιωθείτε η αλυσίδα του πριονιού δεν κινείται στην ταχύτητα του ρελαντί.

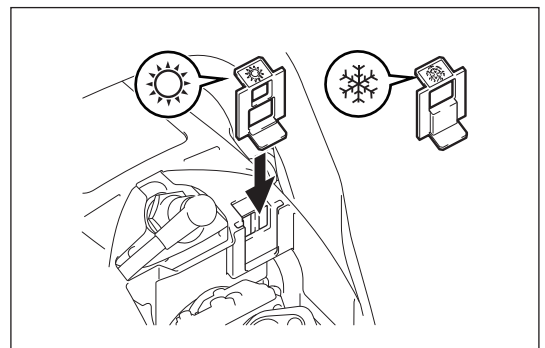
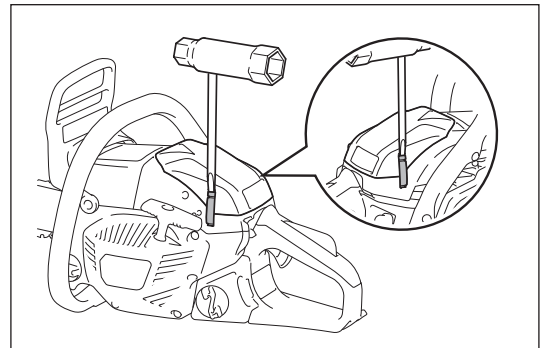


Αποτροπή παγώματος του καρμπυρατέρ

ΕΙΔΟΠΟΙΗΣΗ:

- Όταν η θερμοκρασία του περιβάλλοντος είναι υψηλότερη των 5°C, πάντοτε να επαναφέρετε το κλείστρο στη φυσιολογική του ρύθμιση (σημάδι του ήλιου). Διαφορετικά ενδέχεται να προκληθεί ζημιά στον κινητήρα λόγω υπερθέρμανσης. Όταν η θερμοκρασία του περιβάλλοντος είναι χαμηλή (0°C - 5°C) και η υγρασία είναι υψηλή, οι υδρατμοί μπορεί να παγώσουν μέσα στο καρμπυρατέρ και ο κινητήρας να λειτουργεί ασταθώς (πάγωμα καρμπυρατέρ). Αλλάξτε τη ρύθμιση του κλείστρου ως εξής αν είναι απαραίτητο.

- Ανοίξτε το κάλυμμα του φίλτρου.
- Τραβήξτε έξω το κλείστρο.
- Ρυθμίστε το κλείστρο στην αντιπαγωτική θέση (σημάδι χιονιού).
- Επιστρέψτε το κάλυμμα του φίλτρου.



⚠ ΠΡΟΕΙΔΟΠΟΙΗΣΗ:

- Βεβαιωθείτε ότι έχει απενεργοποιηθεί ο κινητήρας του αλυσοπρίονου και τραβήξτε την πίπα του μπουζί έξω από το μπουζί πριν εκτελέσετε τη συντήρηση ή την επιθεώρηση.
- Περιμένετε μέχρι ο κινητήρας να κρυώσει πριν εκτελέσετε οποιαδήποτε εργασία συντήρησης.
- Πάντοτε να φοράτε προστατευτικά γάντια.
- Ξεκινήστε το αλυσοπρίονο μόνον αφότου έχει πλήρως συναρμολογηθεί και επιθεωρηθεί.
- Να είστε μακριά από γυμνές φλόγες και να μην καπνίζετε.

⚠ ΠΡΟΣΟΧΗ:

- Για τη διατήρηση της ΑΣΦΑΛΕΙΑΣ και της ΑΞΙΟΠΙΣΤΕΙΑΣ του προϊόντος, οι επισκευές, η συντήρηση ή η ρύθμιση που δεν περιλαμβάνονται σε αυτό το εγχειρίδιο οδηγιών πρέπει να γίνονται από εξουσιοδοτημένα κέντρα σέρβις της Dolmar. Πάντοτε να χρησιμοποιείτε ανταλλακτικά της Dolmar.

Ακόνισμα της αλυσίδας πριονιού

Η αλυσίδα του πριονιού χρειάζεται ακόνισμα όταν:

- Τα πριονίδια που παράγονται από την κοπή μοιάζουν με πριονόσκονη.
- Η αλυσίδα διαπερνά το ξύλο μόνο κάτω από μεγάλη πίεση.
- Η αιχμή κοπής είναι εμφανώς κατεστραμμένη.
- Το πριόνι τραβιέται προς τα αριστερά ή προς τα δεξιά κατά το πριόνισμα. Αυτό προκαλείται από το άνισο ακόνισμα της αλυσίδας.

ΕΙΔΟΠΟΙΗΣΗ:

- Ακονίζετε κατά τακτά διαστήματα αλλά χωρίς να αφαιρείτε πολύ το μέταλλο. Γενικά, δύο ή τρεις διαδρομές με τη λίμα είναι αρκετές.
- Όταν έχετε ακονίσει την αλυσίδα μερικές φορές μόνοι σας, τότε πρέπει να τη παραδίδεται κέντρο σέρβις για το επόμενο ακόνισμα.

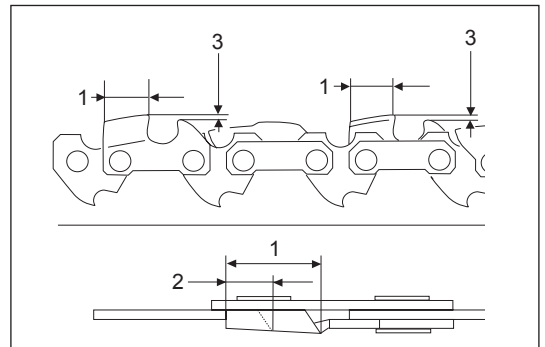
Σωστό ακόνισμα

⚠ ΠΡΟΣΟΧΗ:

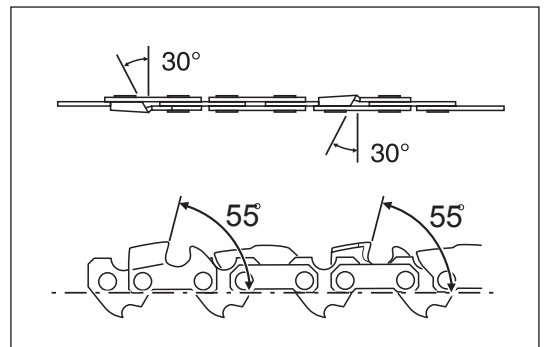
- Χρησιμοποιήστε αλυσίδες και οδηγητικές λάμες που έχουν σχεδιαστεί μόνο για αυτό το πριόνι.
- Το υπερβολικό βάθος (3) αυξάνει τον κίνδυνο του κλωστήματος.

Κριτήρια ακονίσματος (για την αλυσίδα πριονιού 492 (91PX))

- Διατηρείτε όλους τους κόφτες (1) της αλυσίδας πριονιού στο ίδιο μήκος. Οι κόφτες με διαφορετικό ύψος έχουν ως συνέπεια την τραχιά κίνηση της αλυσίδας και μπορεί να προκαλέσουν το σπάσιμό της.
- Το ελάχιστο μήκος κόφτη (2): 4 mm. Μην ακονίζετε την αλυσίδα όταν το μήκος του κόφτη γίνει μικρότερο από 4 mm. Σε αυτό το σημείο, αντικαταστήστε την αλυσίδα του πριονιού.
- Το βάθος της κοπής (3) καθορίζεται από τη διαφορά στο ύψος μεταξύ του μετρητή βάθους (στρογγυλή μύτη) και της αιχμής κοπής.
- Τα καλύτερα αποτελέσματα επιτυγχάνονται από το βάθος των 0,64 mm (0,025").

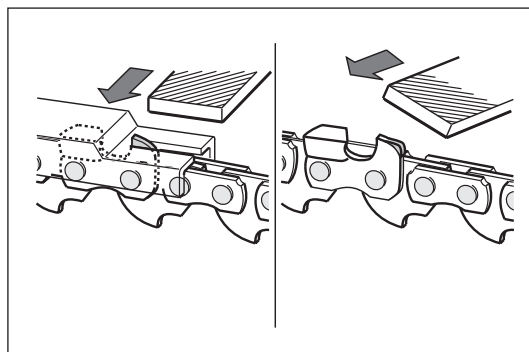
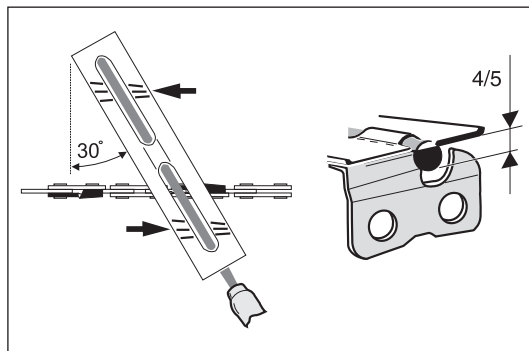
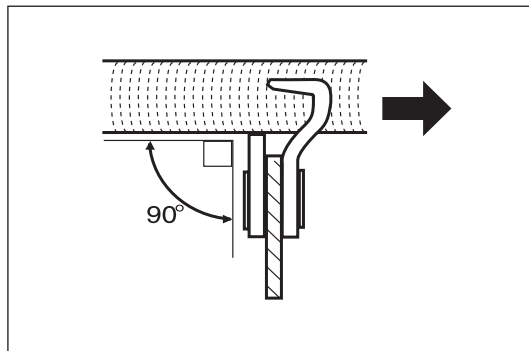


- Διατηρήστε την ίδια γωνία ακονίσματος των 30° για όλους τους κόφτες.
- Χρησιμοποιήστε μια κατάλληλη στρογγυλή λίμα έτσι ώστε να διατηρείται η κατάλληλη γωνία ακονίσματος των 55° έναντι των δοντιών.
- Ακονίστε τους κόφτες με την κατάλληλη γωνία, διαφορετικά μπορεί να προκληθεί η ασταθής και ακανόνιστη κίνηση της αλυσίδας και να επέλθει ως αποτέλεσμα η αυξημένη φθορά και η θραύση της αλυσίδας του πριονιού.



Λίμες και οδήγηση λίμας

- Χρησιμοποιήστε μια ειδική στρογγυλή λίμα (προαιρετικό αξεσουάρ) για το ακόνισμα των αλυσίδων πριονιού. Οι συνηθισμένες στρογγυλές λίμες δεν είναι κατάλληλες.
- Χρησιμοποιήστε τη στρογγυλή λίμα διαμέτρου 4,0 mm.
- Η λίμα θα πρέπει να έρχεται σε επαφή με τον κόφτη μόνο κατά την εμπρόσθια κίνηση. Ανασηκώστε τη λίμα από τον κόφτη κατά τη διαδρομή επιστροφής.
- Ακονίστε πρώτα τον πιο κοντό κόφτη. Τότε το μήκος του κοντούτερου κόφτη γίνεται το πρότυπο για όλους τους άλλους κόφτες της αλυσίδας του πριονιού.
- Καθοδηγήστε τη λίμα όπως απεικονίζεται στην εικόνα.
- Ένα στήριγμα λίμας (προαιρετικό εξάρτημα), καθιστά ευκολότερη την οδήγηση της λίμας. Το στήριγμα της λάμας διαθέτει σημάνσεις για τη σωστή γωνία ακονίσματος των 30° . Όταν χρησιμοποιείτε το στήριγμα της λίμας, ευθυγραμμίστε τις σημάνσεις παράλληλα προς την αλυσίδα πριονιού και περιορίστε το βάθος ακονίσματος στα $4/5$ της διαμέτρου της λίμας.
- Αφού ακονίσετε την αλυσίδα, ελέγξτε το ύψος κοπής με το εργαλείο μέτρησης αλυσίδας (προαιρετικό αξεσουάρ).
- Αφαιρέστε το μικρό πλεόνασμα με μια ειδική επίπεδη λίμα (προαιρετικό εξάρτημα).
- Στρογγυλέψτε το μπροστινό μέρος του μετρητή βάθους.



Καθάρισμα του εσωτερικού του καλύμματος της αλυσίδας

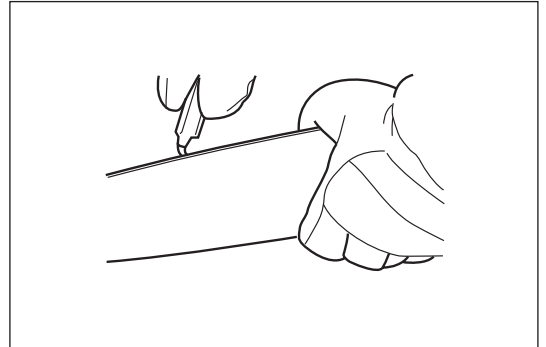
Αφαιρέστε το κάλυμμα της αλυσίδας, την αλυσίδα πριονιού και την οδηγητική λάμα. Καθαρίστε το εσωτερικό του καλύμματος της αλυσίδας με μια βούρτσα.

ΕΙΔΟΠΟΙΗΣΗ:

Βεβαιωθείτε ότι δεν υπάρχουν κατάλοιπα ή ξένα σώματα που παραμένουν στο οδηγητικό αυλάκι του λαδιού, πάνω στον εντατήρα της αλυσίδας και στον ιμάντα του φρένου.

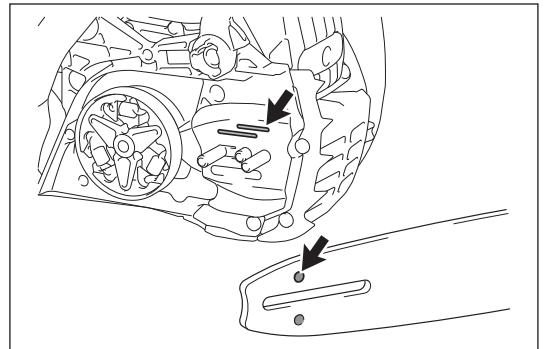
Καθαρισμός της οδηγητικής λάμας

Να ελέγχετε τακτικά για βλάβη τις επιφάνειες λειτουργίας του οδηγού. Καθαρίστε την χρησιμοποιώντας ένα κατάλληλο εργαλείο.



Καθαρισμός του οδηγού λαδιού

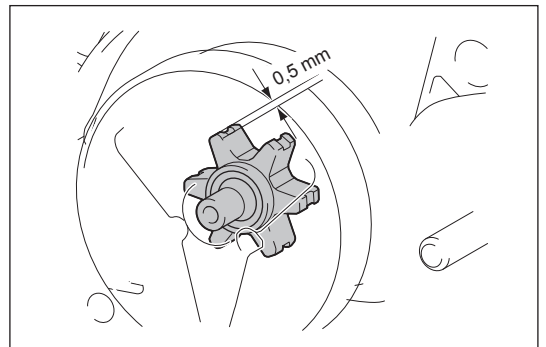
Να καθαρίζετε την εγκοπή του οδηγού λαδιού και την οπή τροφοδοσίας λαδιού στον οδηγό σε τακτά διαστήματα.



Έλεγχος του οδοντωτού τροχού

⚠ ΠΡΟΣΟΧΗ:

Ένας φθαρμένος οδοντωτός τροχός θα προκαλέσει βλάβη σε μια καινούργια αλυσίδα πριονιού. Μην χρησιμοποιείτε μια νέα αλυσίδα σε ένα φθαρμένο οδοντωτό τροχό αλυσίδας. Ελέγξτε τον οδοντωτό τροχό πριν την τοποθέτηση μιας νέας αλυσίδας πριονιού. Ζητήστε από ένα εξουσιοδοτημένο κέντρο σέρβις της Dolmar να προβεί σε επισκευή εάν υπάρχει οποιαδήποτε βλάβη ή εάν έχει φθαρεί ο οδοντωτός τροχός περισσότερο από 0,5 mm.



Καθαρισμός του στοιχείου καθαρισμού αέρα

⚠ ΠΡΟΣΟΧΗ:

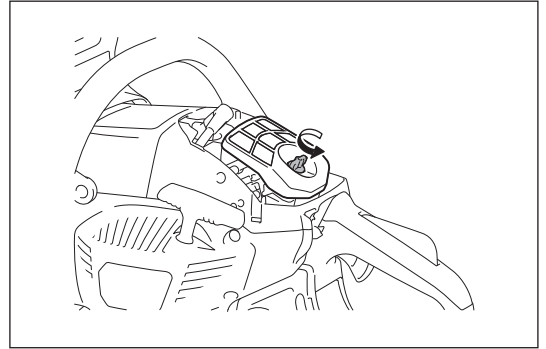
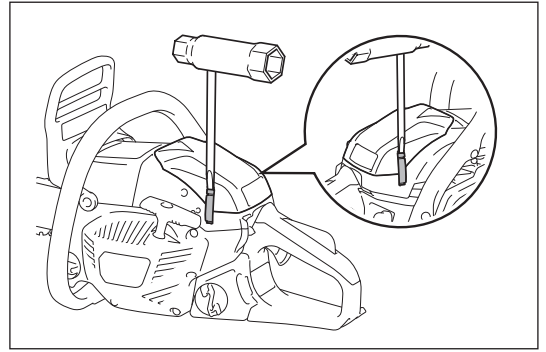
- Να φοράτε πάντοτε προστατευτικά ματιών.

Για τον καθαρισμό του στοιχείου καθαρισμού αέρα εκτελέστε τα παρακάτω βήματα:

1. Μετακινήστε προς τα πάνω το διακόπτη πολλαπλών λειτουργιών (θέση αέρα) για να αποτρέψετε την πτώση ξένων σωματιδίων ή ρύπων μέσα στο καρμπυρατέρ.
2. Ανοίξτε δύο αγκίστρια με ένα ίσιο κατσαβίδι και αφαιρέστε το κάλυμμα του φίλτρου.
3. Ξεσφίξτε το παξιμάδι και στη συνέχεια αφαιρέστε το στοιχείο καθαρισμού αέρα.

ΣΗΜΕΙΩΣΗ:

- Κατά το καθάρισμα, καλύψτε το άνοιγμα με ένα καθαρό πανί για να αποτραπεί η πτώση ξένων σωματιδίων ή ρύπων μέσα στο καρμπυρατέρ.
 - Αντικαταστήστε το στοιχείο καθαρισμού αέρα αμέσως αν έχει υποστεί βλάβη.
4. Κτυπήστε το ή καθαρίστε το με μια βούρτσα ή με αεροσυμπιεστή για να αφαιρέσετε τη βρωμιά.
 5. Εάν το στοιχείο καθαρισμού αέρα είναι πολύ βρώμικο, αντικαταστήστε το με ένα καινούργιο.
 6. Επιστρέψτε το στοιχείο καθαρισμού αέρα και το κάλυμμα του στοιχείου καθαρισμού, εκτελώντας τα παραπάνω βήματα αντιστρόφως.



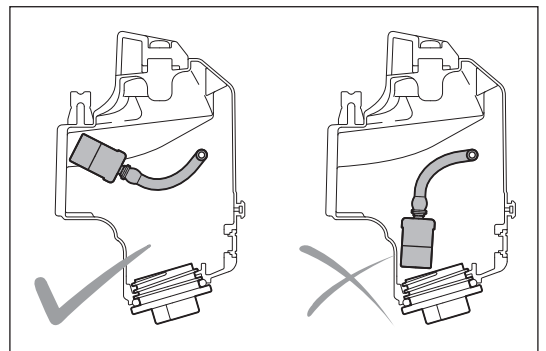
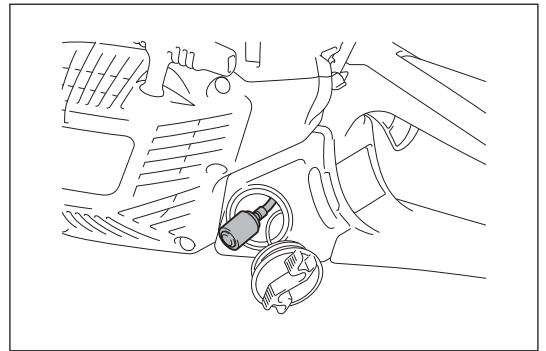
Καθαρισμός του φίλτρου καυσίμου

Το φίλτρο καυσίμου της κεφαλής αναρρόφησης χρησιμοποιείται για το φιλτράρισμα του καυσίμου που απαιτείται από το καρμπυρατέρ. Εκτελείτε περιοδική οπτική εξέταση.

1. Ανοίξτε την τάπα του ρεζερβουάρ καυσίμου, χρησιμοποιήστε ένα συρματένιο άγκιστρο και τραβήξτε έξω την κεφαλή αναρρόφησης μέσα από το άνοιγμα του ρεζερβουάρ καυσίμου.
2. Αν το φίλτρο είναι σκληρό ή βουλωμένο, αντικαταστήστε το.
3. Μετά από τον έλεγχο, τον καθαρισμό ή την αντικατάσταση, στερεώστε το φίλτρο καυσίμου στο σωλήνα καυσίμου με το σφικτήρα ελαστικού σωλήνα. Σπρώξτε το φίλτρο καυσίμου μέχρι τέρμα στο κάτω μέρος του ρεζερβουάρ καυσίμου.

ΣΗΜΕΙΩΣΗ:

- Συνιστάται η αντικατάσταση του φίλτρου καυσίμου τουλάχιστον μία φορά κάθε τρεις μήνες για να εξασφαλιστεί η επαρκής τροφοδοσία καυσίμου του καρμπυρατέρ. Διαφορετικά η ανεπαρκής τροφοδοσίας καυσίμου μπορεί να προκαλέσει βλάβες στον κινητήρα.

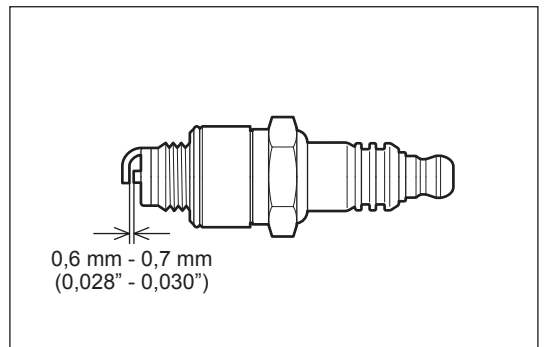


Έλεγχος του μπουζί

⚠ ΠΡΟΣΟΧΗ:

- Ποτέ να μην αγγίζετε το σύνδεσμο του μπουζί καθώς λειτουργεί ο κινητήρας (υπάρχει κίνδυνος ηλεκτροπληξίας από την υψηλή τάση).

Το διάκενο μεταξύ των δυο ηλεκτροδίων του μπουζί πρέπει να είναι 0,6 mm - 0,7 mm (0,028" - 0,030"). Διορθώστε το διάκενο εάν είναι πολύ μεγάλο ή μικρό. Εάν το μπουζί είναι βουλωμένο ή ρυπαρό, καθαρίστε το καλά ή αντικαταστήστε το.



Καθαρισμός του χώρου του κυλίνδρου

⚠ ΠΡΟΣΟΧΗ:

• Να φοράτε πάντοτε προστατευτικά ματιών.
Μετά από μακρά περίοδο λειτουργίας μπορεί να συσσωρευτεί σκόνη στον χώρο του κυλίνδρου. Μπορεί να προκαλέσει υπερθέρμανση του κινητήρα. Καθαρίζετε το χώρο του κυλίνδρου περιστασιακά.

Εκτελέστε τον καθαρισμό ως εξής:

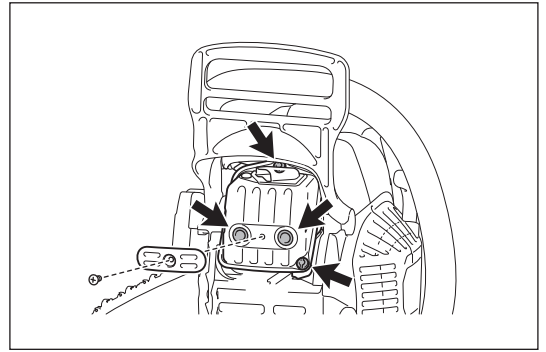
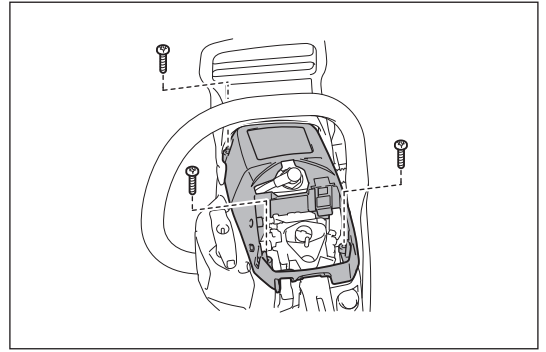
1. Ανοίξτε τα δυο άγκιστρα και αφαιρέστε το κάλυμμα του φίλτρου.
2. Αφαιρέστε το στοιχείο καθαρισμού αέρα.

ΣΗΜΕΙΩΣΗ:

- Κατά το καθαρίσμο, καλύψτε το άνοιγμα με ένα καθαρό πανί για να αποτραπεί η πτώση ξένων σωματιδίων ή ρύπων μέσα στο καρμπυρατέρ.
3. Αφαιρέστε τις τρεις βίδες και αφαιρέστε το κάλυμμα του κυλίνδρου. Είναι πιο εύκολο να αφαιρέσετε το κάλυμμα του κυλίνδρου όταν το μπροστινό προστατευτικό χεριού βρίσκεται στην εμπρός θέση.
 4. Καθαρίστε τον χώρο του κυλίνδρου και τα πτερύγια του κυλίνδρου. Χρησιμοποιήστε μια βούρτσα ή αεροσυμπιεστή αν είναι απαραίτητο.
 5. Επαναφέρετε το κάλυμμα κυλίνδρου, το στοιχείο καθαρισμού αέρα και το κάλυμμα του φίλτρου μετά τον καθαρισμό.

Έλεγχος των βιδών του σιγαστήρα

Αφαιρέστε το κάλυμμα του κυλίνδρου και το κάλυμμα σκόνης και ελέγξτε το σφίξιμο των τεσσάρων βιδών του σιγαστήρα. Σφίξτε τις εάν είναι χαλαρές.



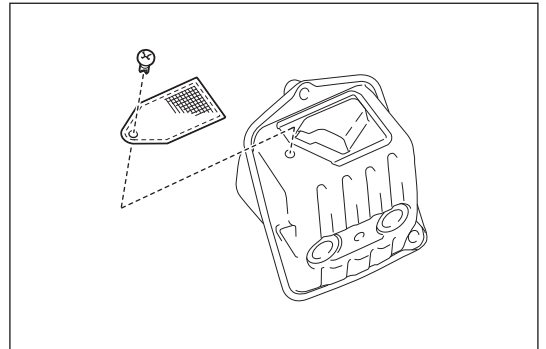
Έλεγχος της παγίδας σπινθήρων

⚠ ΠΡΟΣΟΧΗ:

• Μην ξεκινάτε τον κινητήρα εάν η παγίδα σπινθήρων έχει υποστεί ζημιά ή λείπει. Η παγίδα σπινθήρων αποτρέπει τον ζεστό άνθρακα να πετάγεται έξω από το σωλήνα εξάτμισης. Ελέγχετε την παγίδα σπινθήρων τακτικά ακολουθώντας τα ακόλουθα βήματα:

1. Αφαιρέστε το κάλυμμα του κυλίνδρου.
2. Αφαιρέστε τη βίδα που στερεώνει την παγίδα σπινθήρων. Είναι πιο εύκολο να αφαιρέσετε τη βίδα σπρώχνοντας το μπροστινό προστατευτικό χεριού προς τα εμπρός. Στη συνέχεια σύρετε την παγίδα σπινθήρων.

Καθαρίστε την παγίδα σπινθήρων εάν χρειάζεται με μια μεταλλική βούρτσα. Αν η παγίδα σπινθήρων έχει υποστεί φθορά, αντικαταστήστε τη.



Καθαρισμός εξαρτημάτων

Πάντοτε να διατηρείτε τον κινητήρα καθαρό καθαρίζοντάς τον με ένα πανί.

Σφίξτε τα ξεσφιγμένα μπουλόνια, τα παξιμάδια και τις βίδες

- Ελέγξτε τις βίδες, τα παξιμάδια, κλπ. Σφίξτε τα εάν είναι απαραίτητα.
- Ελέγξτε το σφίξιμο της τάπας καυσίμου και της τάπας λαδιού. Ελέγξτε για διαρροή καυσίμου.
- Αντικαταστήστε τα φθαρμένα εξαρτήματα με καινούργια για μια ασφαλή λειτουργία.

Αποθήκευση εργαλείου

⚠ ΠΡΟΣΟΧΗ:

- Ο κινητήρας είναι ακόμη ζεστός αμέσως μετά το σταμάτημα του κινητήρα. Κατά την αποστράγγιση του καυσίμου, αφήστε αρκετό χρόνο ώστε να κρυώσει ο κινητήρας αφού σταματήσει. Αλλιώς μπορεί να προκληθεί έγκαυμα στο δέρμα και/ή φωτιά.
- Όταν το μηχάνημα μένει εκτός λειτουργίας για μεγάλο χρονικό διάστημα, αποστραγγίστε όλο το καύσιμο από το ρεζερβουάρ καυσίμου και το καρμπυρατέρ, και στην συνέχεια φυλάξτε το σε ένα ξηρό και καθαρό μέρος.

Μπορείτε να φυλάσσετε το βιοαποικοδομήσιμο λάδι αλυσίδας πριονιού μόνο για περιορισμένο διάστημα. Δύο χρόνια μετά από την παρασκευή τους, τα βιολογικά λάδια αποκτούν συγκολλητικές ιδιότητες και προκαλούν βλάβη στην αντλία λαδιού και στα εξαρτήματα του συστήματος λίπανσης.

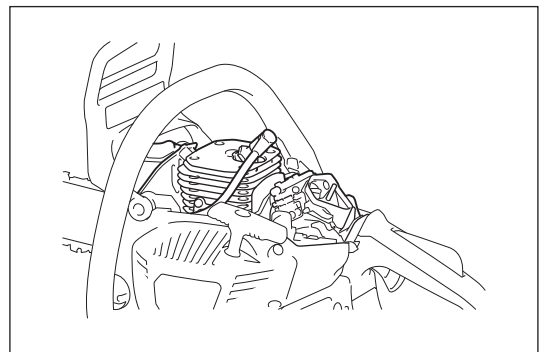
- Πριν θέσετε το αλυσοπρίονο εκτός λειτουργίας για μεγάλο χρονικό διάστημα, αδειάστε το ρεζερβουάρ λαδιού και γεμίστε το με μια μικρή ποσότητα λαδιού κινητήρα (SAE 30).
- Θέστε το αλυσοπρίονο σε λειτουργία για σύντομο χρονικό διάστημα για να εκπλύνετε όλα τα κατάλοιπα του βιολογικού λαδιού από το δοχείο, το σύστημα λίπανσης και το μηχανισμό πριονίσματος.

Να φυλάσσετε το αλυσοπρίονο πάνω σε μια κατάλληλη επιφάνεια.

Πριν θέσετε ξανά το αλυσοπρίονο σε λειτουργία, γεμίστε το με καινούργιο βιοαποικοδομήσιμο λάδι αλυσίδας πριονιού.

ΣΗΜΕΙΩΣΗ:

- Όταν θέσετε το αλυσοπρίονο εκτός λειτουργίας, μια μικρή ποσότητα λαδιού αλυσίδας θα διαρρέει για κάποιο διάστημα. Αυτό είναι φυσιολογικό και δεν αποτελεί ένδειξη βλάβης.



ΔΙΑΣΤΗΜΑ ΣΥΝΤΗΡΗΣΗΣ

Για τη μεγάλη διάρκεια ζωής του εργαλείου και για τη διασφάλιση της πλήρους λειτουργίας των συστημάτων ασφαλείας, εκτελέστε τις εργασίες συντήρησης σε τακτά χρονικά διαστήματα.

Χρόνος λειτουργίας Στοιχείο		Πριν τη λειτουργία	Καθημερινά	Κάθε εβδομάδα	Κάθε 3 μήνες	Ετησίως	Πριν από την αποθήκευση
Αλυσοπρίονο	Επιθεώρηση.	<input type="radio"/>					
	Καθαρισμός.		<input type="radio"/>				
	Έλεγχος σε ένα εξουσιοδοτημένο κέντρο σέρβις.					<input type="radio"/>	
Αλυσίδα πριονιού	Επιθεώρηση. / Ακόνισμα εάν είναι απαραίτητο.	<input type="radio"/>					
Οδηγητική λάμα	Επιθεώρηση.	<input type="radio"/>					
Φρένο αλυσίδας	Έλεγχος της λειτουργίας.	<input type="radio"/>					
	Να επιθεωρείται τακτικά από ένα εξουσιοδοτημένο κέντρο σέρβις.				<input type="radio"/>		
Σχοινί εκκινήτηρα	Επιθεώρηση.	<input type="radio"/>					
Λίπανση αλυσίδας	Έλεγχος του ρυθμού τροφοδοσίας λαδιού.	<input type="radio"/>					
Διακόπτης πολλαπλών λειτουργιών	Επιθεώρηση.	<input type="radio"/>					
Ξεκλείδωμα σκανδάλης γκαζιού	Επιθεώρηση.	<input type="radio"/>					
Σκανδάλη γκαζιού	Επιθεώρηση.	<input type="radio"/>					
Τάπα ρεζερβουάρ καυσίμου	Έλεγχος σφιξίματος.	<input type="radio"/>					
Τάπα ρεζερβουάρ λαδιού	Έλεγχος σφιξίματος.	<input type="radio"/>					
Στοιχείο καθαρισμού αέρα	Καθαρισμός.		<input type="radio"/>				
Ταχύτητα ρελαντί	Η αλυσίδα του πριονιού δεν κινείται κατά το ρελαντί.		<input type="radio"/>				
Χώρος κυλίνδρου	Καθαρισμός.			<input type="radio"/>			
Μπουζί	Επιθεώρηση. / Καθαρισμός. / Αντικατάσταση εάν είναι απαραίτητο.				<input type="radio"/>		
Παγίδα σπινθήρων	Επιθεώρηση. / Καθαρισμός. / Αντικατάσταση εάν είναι απαραίτητο.				<input type="radio"/>		
Σιγαστήρας	Έλεγχος σφιξίματος των βιδών.			<input type="radio"/>			
Συγκρατητήρας αλυσίδας	Επιθεώρηση.			<input type="radio"/>			
Βίδες και παξιμάδια	Επιθεώρηση.			<input type="radio"/>			
Φίλτρο καυσίμου	Επιθεώρηση. / Αντικατάσταση εάν είναι απαραίτητο.				<input type="radio"/>		
Ρεζερβουάρ καυσίμου	Εκκένωση.						<input type="radio"/>
Καρμπυρατέρ	Λειτουργία μέχρι να αδειάσει.						<input type="radio"/>

* Πριν αδειάσετε το λάδι, εξετάστε ένα κατάλληλο τρόπο για την απόρριψη του παλιού λαδιού. Μην το ρίχνετε στην αποχέτευση, στο χώμα του κήπου ή σε ξεσκέπαστα ρέματα. Οι τοπικοί ή περιβαλλοντικοί κανονισμοί παρέχουν λεπτομερέστερες οδηγίες για τη σωστή απόρριψη.

ΕΠΙΛΥΣΗ ΠΡΟΒΛΗΜΑΤΩΝ

Πριν ζητήσετε βοήθεια για επισκευές, ελέγξτε το πρόβλημα μόνοι σας. Για τις επισκευές, επικοινωνήστε με εξουσιοδοτημένα κέντρα σέρβις.

Κατάσταση δυσλειτουργίας	Πιθανή αιτία	Αποκατάσταση
Η αλυσίδα δεν περιστρέφεται.	Έχει εμπλακεί το φρένο της αλυσίδας.	Ελευθερώστε το φρένο της αλυσίδας.
Ο κινητήρας δεν ξεκινά.	Δυσλειτουργία του μπουζί.	Ελέγξτε το μπουζί.
	Το ρεζερβουάρ καυσίμου είναι άδειο.	Γεμίστε το ρεζερβουάρ λαδιού.
	Πρόβλημα παροχής καυσίμου.	Ελέγξτε κατά πόσον είναι βουλωμένο το φίλτρο καυσίμου.
	Δυσλειτουργία μηχανήματος.	Απευθυνθείτε στο τοπικό σας εξουσιοδοτημένο κέντρο σέρβις για την επισκευή.
Ανεπαρκής απόδοση.	Το στοιχείο καθαρισμού αέρα είναι βρώμικο.	Καθαρίστε το στοιχείο καθαρισμού αέρα. Αντικαταστήστε αν είναι απαραίτητο.
	Ο χώρος του κυλίνδρου είναι βρώμικος.	Καθαρίστε τον χώρο του κυλίνδρου.
	Η περιβαλλοντική θερμοκρασία είναι χαμηλή.	Αλλάξτε τη ρύθμιση του κλείστρου του καρμπυρατέρ. Δείτε την ενότητα "Αποτροπή παγώματος του καρμπυρατέρ".
Έλλειψη λαδιού στην αλυσίδα του πριονιού.	Το ρεζερβουάρ λαδιού είναι άδειο.	Γεμίστε το ρεζερβουάρ καυσίμου.
	Η οδηγητική αυλάκωση του λαδιού είναι βρώμικη.	Καθαρίστε την αυλάκωση.
	Η παροχή λαδιού δεν είναι ρυθμισμένη κατάλληλα.	Ρυθμίστε την ποσότητα παροχής λαδιού.
	Δυσλειτουργία της αντλίας λαδιού.	Απευθυνθείτε στο τοπικό σας εξουσιοδοτημένο κέντρο σέρβις για την επισκευή.
Η αλυσίδα δεν σταματά ακόμη και αν είναι ενεργοποιημένο το φρένο.	Ο ιμάντας του φρένου έχει φθαρεί.	Σταματήστε αμέσως τη χρήση του εργαλείου και επικοινωνήστε με το τοπικό σας εξουσιοδοτημένο κέντρο σέρβις για την επισκευή.
Το εργαλείο υφίσταται ανώμαλη δόνηση.	Ξεσφίξτε την οδηγητική λάμα ή την αλυσίδα του πριονιού.	Ρυθμίστε την οδηγητική λάμα και την τάνυση της αλυσίδας του πριονιού.
	Δυσλειτουργία μηχανήματος.	Σταματήστε αμέσως τη χρήση του εργαλείου και επικοινωνήστε με το τοπικό σας εξουσιοδοτημένο κέντρο σέρβις για την επισκευή.
Η αλυσίδα δεν σταματά όταν το κινητήρας βρίσκεται στο ρελαντί.	Η ταχύτητα του ρελαντί είναι πολύ υψηλή.	Διορθώστε την ταχύτητα του ρελαντί.
	Ελαττωματικός συμπλέκτης.	Σταματήστε αμέσως τη χρήση του εργαλείου και επικοινωνήστε με το τοπικό σας εξουσιοδοτημένο κέντρο σέρβις για την επισκευή.

İçindekiler**Sayfa**

Simgeler	227
Güvenlik önlemleri.....	228
Teknik veriler	234
Parçaların gösterimi	235
Ağaç kesim motorunun güvenlik işlevi.....	236
Montaj.....	238
Kullanım öncesi	241
Motorun çalıştırılması ve durdurulması	243
Bakım.....	245
Bakım aralığı.....	250
Sorun giderme.....	251

SİMGELER

	Kullanım kılavuzunu okuyun ve uyarı ve güvenlik önlemlerini dikkate alın!		Dikkat, geri tepme!
	Özel dikkat ve sorumluluk!		
	Yasak!		Zincir freni
	Koruyucu baret, gözlük ve kulaklık kullanın!		Çalışırken, ağaç kesim motorunu iki elinizle tutun! Tek elle kullanılması çok tehlikelidir!
	Koruyucu eldiven takın!		Yakıt ve yağ karışımı
	Sigara içmek yasaktır!		Zincir yağı doldurma/yağ pompası
	Açık alev yasak!		Testere zinciri yağı ayar vidası
	Motoru durdur!		Ana pompa
	Motoru çalıştır		Zincir yönü
	Kombinasyon mandalı, Jikle AÇMA/ DURDURMA		İlk yardım

GÜVENLİK ÖNLEMLERİ

Kullanım amacı

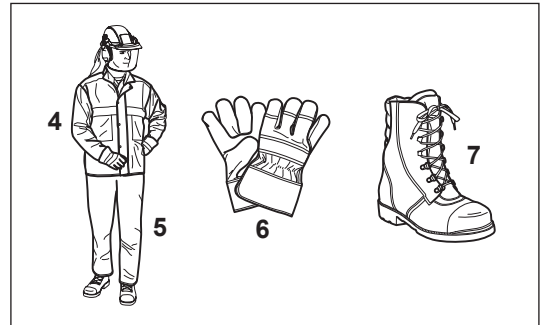
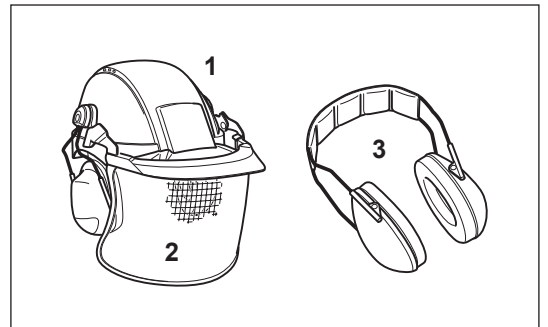
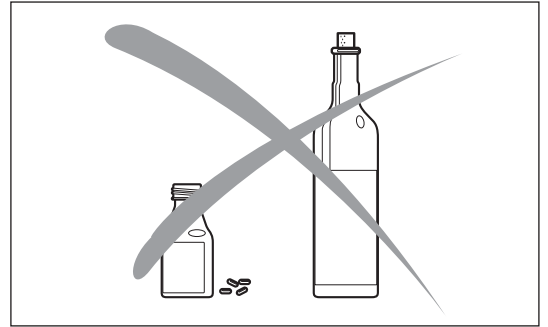
Bu ağaç kesim motoru yalnızca açık alanlarda ahşap kesimi için tasarlanmıştır.

Genel önlemler

- Kullanıcının, ağaç kesim motorunun özelliklerini öğrenilebilmesi ve **doğru çalıştırılabilmesi için bu kullanım kılavuzunu dikkatlice okuması gerekir**. Yetersiz bilgiye sahip kullanıcılar, yanlış kullanım neticesinde hem kendilerini, hem de başkalarını tehlikeye atarlar.
- Bu ağaç kesim motorunun yalnızca ağaç kesim motoruyla çalışma konusunda deneyimli kişilere verilmesi önerilir. Her zaman kullanım kılavuzunu da ürünle birlikte verin.
- Bu ağaç kesim motorunu ilk defa kullanacaklar, motorlu kesim hakkında temel talimatları vermesi için bayilerine danışmalı veya onaylı bir kurs programına katılmalıdırlar.
- Çocuklar ve 18 yaşının altındaki gençlerin ağaç kesim motorunu kullanmasına kesinlikle izin verilmemelidir. İstisna olarak, 16 yaşının üzerindeki gençler bu ağaç kesim motorunu deneyimli bir eğitmen gözetiminde olması şartıyla ve yalnızca eğitim amacıyla kullanılabilir.
- Ağaç kesim motorunu yalnızca fiziksel olarak iyi durumdayken çalıştırın. Yorgunsanız, dikkatiniz dağılacaktır. Çalışma gününün sonuna yaklaşırken daha dikkatli olun. Tüm işlerinizi sakın ve dikkatli bir şekilde yürütün. Başkalarının sorumluluğu da kullanıcının üzerindedir.
- Ağaç kesim motoru kullanırken dikkatli olun, ne yaptığınıza dikkat edin ve sağduyunuzu kullanın. Bir anlık dikkatsizlik ciddi yaralanmalara yol açabilir.
- Ağaç kesim motorunu kesinlikle alkol, uyuşturucu madde veya ilaç kullandıktan sonra çalıştırmayın.
- Susturucu içerisinde kanserojen kimyasal maddeler bulunabilir. Hasar görmüşse, susturucuya dokunmaktan kaçınınız.
- Motor ateşleme sistemi çalışma sırasında elektromanyetik dalgalar yayar. Bu dalgalar bazı koşullarda tıbbi ekipmanların çalışmasını etkileyebilir ve kalp pili bulunanların ciddi şekilde zarar görmesine neden olabilir. Kalp pili bulunan kişilerin ağaç kesim motorunu kullanmadan önce doktorlarına ve kalp pili üreticilerine danışması önerilir.
- Üzerinde değişiklik yapıldığını düşündüğünüz bir ağaç kesim motorunu kesinlikle kullanmayın.
- Kolayca tutuşabilir bitkilerin bulunduğu veya uzun süredir yağmur yağmayan bir yerde çalışıyorsanız (yangın tehlikesi), daima yakınızdaki bir yangın söndürücü ve kürek bulundurun.
- Bazı ulusal yönetmelikler makinenin kullanımını kısıtlayabilir. Bulduğunuz ülkede ağaç kesim motoru kullanımıyla ilgili yönetmelikleri dikkate alın.

Kişisel koruyucu ekipmanlar

- **Olası göz, el, baş ve ayak yaralanmalarını önlemek ve kulaklarınızı korumak için, ağaç kesim motorunun çalıştırılması sırasında şu koruyucu ekipmanlar ve kıyafetler kullanılmalıdır:**
- Kıyafetler uygun tipte olmalıdır, yani ne çok dar, ne çok bol olmalıdır. Çalılara veya fundalara takılabileceğinden takı kullanmayın ve bol kıyafetler giymeyin. Saçlarınız uzunsa, saç filesi kullanın.
- Ağaç kesim motoruyla çalışırken, daima baret takılmalıdır. Baret (1) olası hasarlara karşı düzenli aralıklarla kontrol edilmeli ve en geç 5 yılda bir değiştirilmelidir. Yalnızca onaylı baretleri kullanın.
- Baretin yüz koruyucusu (2) (ve koruyucu gözlük) sizi sıçrayan talaştan ve çapaklardan koruyacaktır. Ağaç kesim motorunu kullanırken, olası göz yaralanmalarını önlemek için mutlaka koruyucu gözlük veya yüz koruyucu kullanın.
- Olası duyma bozukluklarını önlemek için, uygun kulak koruyucu ekipmanlar (koruyucu kulaklık (3), kulak tıkacı vb.) kullanın. Gürültüye uzun süre maruz kalınması kalıcı duyma bozukluklarına yol açabilir.
- Özel dikkat çekici renkte omuz şeritleri bulunan ve rahat ve bakımı kolay iş ceketi (4) kullanılmalıdır.
- Koruyucu bileklik ve kıyafetler (5), 22 katlı naylon kumaştan imal edilir ve kullanıcıyı kesiklere karşı korur. Bu ürünlerin kullanılmasını şiddetle tavsiye ederiz.
- Kalın deriden imal edilen koruyucu eldiven (6), belirtilen koruyucu ekipmanların bir parçasıdır ve ağaç kesim motoru çalıştırılırken mutlaka takılmalıdır.
- Ağaç kesim motoru çalıştırılırken mutlaka kaymayan özellikle taban, çelik parmak ucu koruması ve ayak koruması bulunan koruyucu ayakkabı veya koruyucu bot (7) giyilmelidir. Koruyucu katmanlı koruyucu ayakkabılar olası kesimlere karşı koruma sağlar ve kullanıcının yere sağlam ve dengeli basmasına yardımcı olur.
- Gerekliyse, koruyucu maske takın. Egzoz dumanına, zincir yağı buğusuna ve talaşa uzun süre maruz kalınması sağlığınıza zarar verebilir.

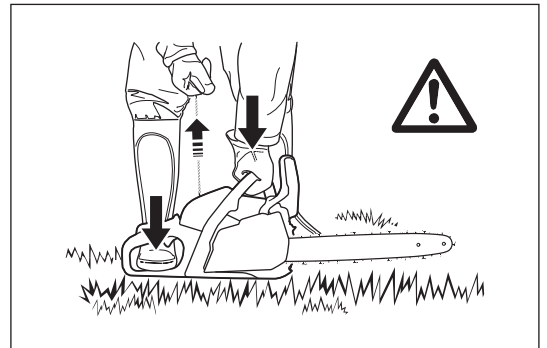
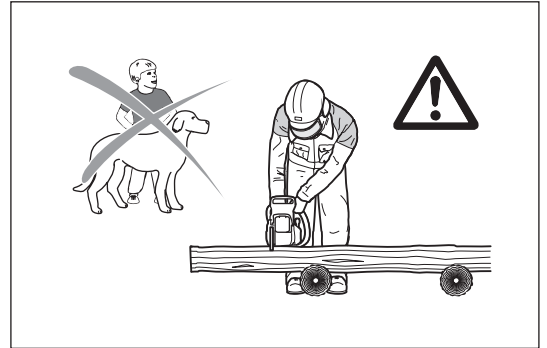
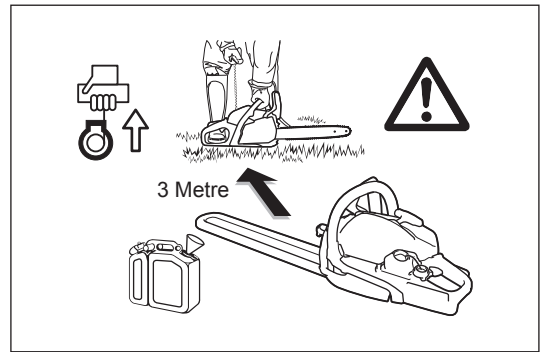


Kullanılabilir Yakıtlar/Yakıt Doldurma

- Ağaç kesim motoruna yakıt doldurmadan önce, motoru durdurun.
- Sigara içmeyin ve açık alev bulunan yerlerin yakınında çalışmayın.
- Yakıt doldurmaya başlamadan önce, motorun soğumasını bekleyin.
- Yakıtlar, çözücülere benzer maddeler içerebilir. Gözlerinizin ve cildinizin madeni yağ ürünleriyle temas etmesine izin vermeyin. Yakıt doldururken daima koruyucu eldiven takın. Koruyucu eldivenlerinizi sık sık temizleyin ve değiştirin. Yakıt buharını solumayın. Yakıt buharının solunması, sağlığınız açısından tehlikeli olabilir.
- Yakıtı veya zincir yağını dökmemeye dikkat edin. Yakıtı veya zincir yağını dökerseniz, ağaç kesim motorunu derhal temizleyin. Yakıt, kıyafetlerinize bulaşmamalıdır. Kıyafetlerinize yakıt bulaşması halinde, derhal değiştirin.
- Toprağa yakıt veya zincir yağı bulaşmadığından emin olun (çevrenin korunmasına dikkat edin). Bu işlem için, uygun bir yüzey kullanın.
- Kapalı odalarda yakıt doldurulması yasaktır. Aksi takdirde, yakıt buharı zemine yakın bir noktada birikebilir (patlama riski doğurabilir).
- Yakıt ve yağ depolarının vidalı tapalarının sağlam şekilde sıkıldığından emin olun.
- Motoru çalıştırmadan önce yerinizi değiştirin (yakıt doldurulan yerden en az 3 m uzağa gidin).
- Yakıt sınırsız süre boyunca saklanamaz. Bu nedenle, yalnızca kısa bir süre içerisinde tüketilecek miktar saklanmalıdır.
- Yakıtı ve zincir yağını taşımak ve saklamak için yalnızca onaylı ve işaretli kapları kullanın. Çocukların yakıtı veya zincir yağına ulaşmayacaklarından emin olun.

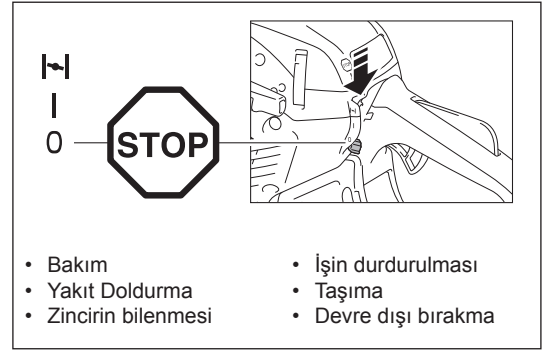
İlk çalıştırma

- **Kendi başınıza çalışmayın. Acil bir durum ihtimaline karşı yakınlarınızda (bağırma mesafesinde) biri olmasına dikkat edin.**
- Çalışma alanında çocukların ve işi olmayan kişilerin bulunmadığından emin olun. Ayrıca, çalışma alanındaki hayvanlara da dikkat edin.
- **Çalışmaya başlamadan önce, ağaç kesim motorunun kusursuz çalıştığı ve çalışma güvenliği, ilgili talimatlar takip edilerek kontrol edilmelidir. Kesinlikle kusurlu bir ağaç kesim motorunu çalıştırmayın.** Özellikle zincir freninin doğru çalıştığını, palanın doğru takıldığını, zincirin doğru bilendiğini ve sıkıldığını, zincir kapağının sağlam şekilde takıldığını, kısma mandalının serbest şekilde hareket ettiğini, kısma mandalı kilidinin doğru şekilde çalıştığını, sapların temiz ve kuru olduğunu ve kombinasyon mandalının doğru çalıştığını kontrol edin.
- Ağaç kesim motorunu düşürürseniz veya ağaç kesim motoru darbe alırsa, makineyi kullanmayı derhal bırakın ve olası önemli hasar veya kusurları tespit etmek için kontroller gerçekleştirin.
- Ağaç kesim motorunu yalnızca tam olarak monte edildikten sonra çalıştırın. Tam olarak monte edilmemişse, ağaç kesim motorunu kesinlikle kullanmayın.
- Kişisel koruyucu ekipmanlarınızı kontrol edin.
- Ağaç kesim motorunu yalnızca bu kullanım kılavuzunda açıklandığı şekilde çalıştırın. Kesinlikle başka bir çalışma yöntemi kullanılmamalıdır.
- Ağaç kesim motorunu çalıştırmadan önce, yere sağlam ve dengeli bastığınızdan emin olun.
- Ağaç kesim motoru, çalıştırılırken iyi desteklenmeli ve sağlam şekilde tutulmalıdır. Pala ve zincir kesinlikle başka bir nesneye temas etmemelidir.
- Zincir yağının zincire yeterli şekilde ulaştığını kontrol edin.



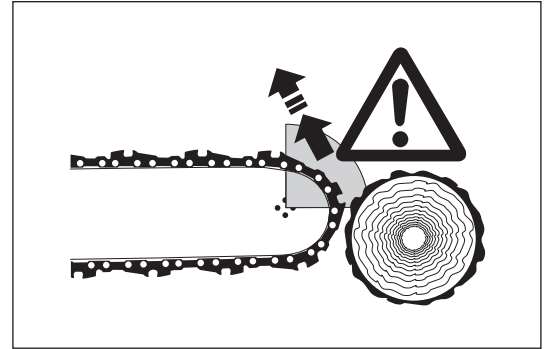
Çalıştırma

- Ağaç kesim motoruyla çalışırken, makineyi daima iki elinizle kavrayın. Arka sapı sağ elinizle ve ön sapı sol elinizle tutun. Sapları baş parmaklarınızı diğer parmaklarınıza kilitleyerek sıkıca kavrayın.
- ⚠️ **DİKKAT: Kısmen serbest bıraktığınızda zincir kısa bir süre daha dönmeye devam edecektir** (serbest dişli etkisi).
- Yere sürekli sağlam bastığınızdan emin olun.
- Ağaç kesim motorunu, egzoz gazını solumayacak şekilde tutun. Kapalı odalarda çalışmayın (zehirlenme tehlikesi mevcuttur).
- **Çalışma davranışında herhangi bir değişiklik hissederseniz, ağaç kesim motorunu derhal kapatın.**
- **Zincir gerginliği kontrol edilmeden, zincir sıkılmadan veya değiştirilmeden veya arızalar giderilmeye çalışılmadan önce motor mutlaka kapalı konuma getirilmelidir.**
- Kesim parçasının taş, çivi veya benzeri bir sert cisme çarpması durumunda, motoru derhal kapalı konuma getirin ve kesim parçasını kontrol edin.
- İşe ara verirken veya çalışma alanından ayrılırken, mutlaka ağaç kesim motorunu kapalı konuma getirin ve makineyi kimseyi tehlikeye atmayacak bir yere bırakın.
- ⚠️ **DİKKAT: Aşırı ısınmış bir ağaç kesim motorunu kesinlikle kuru çimlerin veya tutuşabilir maddelerin üzerine bırakmayın. Susturucu çok sıcak olacaktır (yangın tehlikesi).**
- **DİKKAT:** Testere zinciri durdurulduktan sonra zincirden veya paladan damlayan yağlar, toprağın kirlenmesine yol açar. Daima uygun bir yüzey üzerinde çalışın.



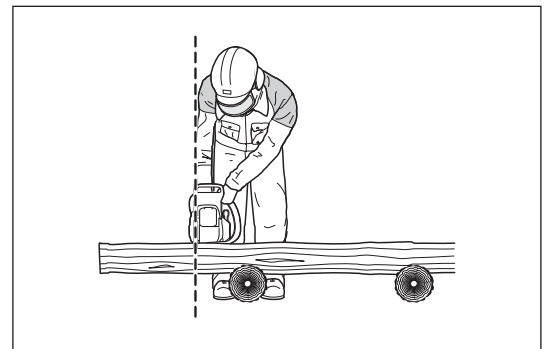
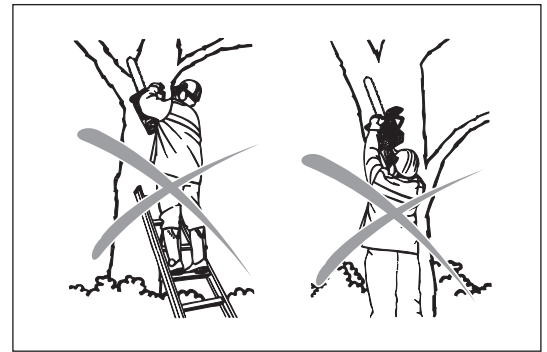
Geri tepme

- Ağaç kesim motoruyla çalışırken, tehlikeli geri tepmelerle karşılaşabilirsiniz.
- Geri tepme, palanın üst kenar parçası, ağaca veya diğer sert cisimlere kontrolsüz şekilde dokunması durumunda meydana gelir.
- Bu da ağaç kesim motorunun kullanıcıya doğru büyük bir kuvvetle ve kontrolsüz şekilde geri tepmesine neden olur. **Yaralanma riski!**
- **Geri tepmeyi önlemek için, şu hususlara dikkat edin:**
 - Daldırma kesimleri-yani tomruk veya ağacın testerenin uç kısmıyla kesilmesi işlemi yalnızca özel eğitilmiş kişiler tarafından gerçekleştirilmelidir!
 - Kesime başlarken, kesinlikle palanın ucunu kullanmayın.
 - Daima palanın kenarına dikkat edin. Daha önce başlanılmış bir kesime devam ederken dikkatli olun.
 - Kesime başlanırken, zincir mutlaka çalışır durumda olmalıdır.
 - Zincirin her zaman doğru şekilde bilenmiş olduğundan emin olun. Derinlik sınırlandırıcısının yüksekliğine özellikle dikkat edin.
 - Kesinlikle birden fazla dalı aynı anda kesmeyin. Bir dalı keserken, başka bir dala temas edilmediğinden emin olun.
 - Bir ağaç gövdesini enlemesine keserken, yanındaki ağaç gövdelerine dikkat edin.



Çalışma davranışı/Çalışma yöntemi

- Ağaç kesim motorunu yalnızca aydınlık ve görüşün açık olduğu saatlerde kullanın. Kaygan veya ıslak alanlara ve buza ve kara karşı dikkatli olun (kayma riski). Yeni soyulmuş ağaçların (ağaç kabuklarının) etrafında çok yüksek bir kayma riski söz konusudur.
- Dengesiz zeminler üzerinde kesinlikle çalışmayın. Çalışma alanında hiçbir engel olmadığından emin olun, aksi takdirde takılabilirsiniz. Yere daima dengeli ve sağlam bastığınızdan emin olun.
- Kesinlikle omuz yüksekliğinizin üzerinde kesim yapmayın.
- Kesinlikle merdivene çıkarak kesim yapmayın.
- Ağaç kesim motoruyla kesim yapmak için ağaca çıkmayın.
- Çok fazla ileri uzanarak çalışmayın.
- Ağaç kesim motorunu, vücudunuzun hiçbir parçası testerenin geniş hareket mesafesi içerisinde kalmayacak şekilde hareket ettirin.
- Ağaç kesim motorunu yalnızca ağaç kesimi için kullanın.
- Çalışırken, ağaç kesim motorunun zemine temas etmesine izin vermeyin.
- Ağaç kesim motorunu kesinlikle ağaç parçalarını veya diğer nesnelere kaldırmak veya itirmek için kullanmayın.
- Çalışma alanındaki kum, taş ve çivi vb. gibi yabancı maddeleri temizleyin. Yabancı maddeler, kesim parçasına zarar verebilir ve tehlikeli geri tepmelere yol açabilir.
- Önceden kesilmiş tomrukları keserken, güvenli bir destek (testere tezgahı) kullanın. İş parçasını ayağınızla sabitlemeye çalışmayın ve başkasının da iş parçasını tutmasına veya sabitlemesine izin vermeyin.
- Yuvarlak parçaları dönmemesi için sabitleyin.

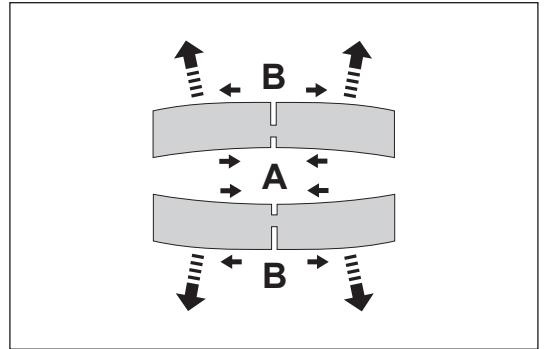
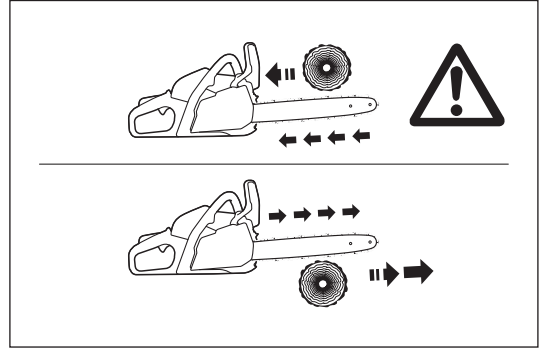
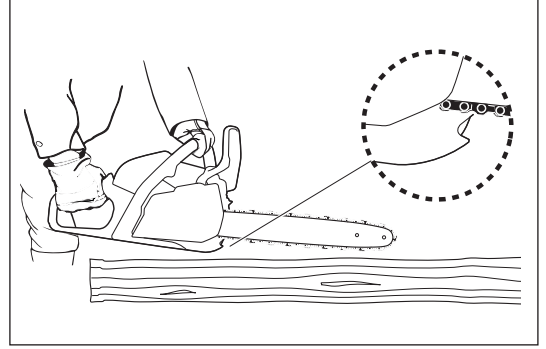
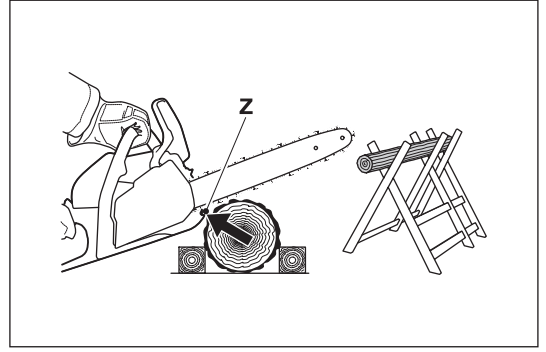


- **Ağaç kesimi veya enlemesine kesimler için, kesilecek ağaca mutlaka saplama demiri (Z) uygulanmalıdır.**
- **Enlemesine kesim** yaparken, saplama demirini tomruğa sağlam şekilde dayayın; ardından ağaç kesim motoruyla kesim yapın. Bu işlem sırasında, ağaç kesim motoru arka sapından tutularak kaldırılmalı ve ön sapından tutularak hareket ettirilmelidir. Saplama demiri bir dönüş merkezi olarak görev yapar. Ön saptan hafifçe bastırarak ve aynı zamanda ağaç kesim motorunu geriye doğru çekerek çalışmaya devam edin. Saplama demirini biraz daha derine uygulayın ve yine arka sapı kaldırın.
- **Tomrukta kesim için oyuk açılacaksa veya uzunlamasına kesimler gerçekleştirilecekse, bu işlemlerin yalnızca özel eğitilmiş kişilerce yapılması şiddetle önerilir** (yüksek geri tepme riski).
- **Uzunlamasına - boyuna - kesimleri** mümkün olan en düşük açıda gerçekleştirin. Saplama demiri sabitlenemeyeceğinden, bu tip kesimler sırasında daha dikkatli olun.
- Ağaç kesim motoru, ağaçtan çıkartılırken mutlaka çalışır durumda olmalıdır.
- Arka arkaya birkaç kesim yapılacaksa, aralarda kısma mandalı bırakılmalıdır.
- Kıymıklı ağaçları keserken dikkatli olun. Kesilen ağaç parçaları fırlayabilir (yaralanma riski).
- Palanın üst kenarıyla kesim yapılırken zincirin sıkışması halinde, ağaç kesim motoru kullanıcı yönünde itilebilir. Bu nedenle, mümkün olduğunca palanın alt kenarını kullanın. Ağaç kesim motoru, kullanıcıdan uzağa doğru itilir.
- Kesilecek tomruk gerilim altındaysa, öncelikle gerilimin bulunduğu tarafı kesin (A). Ardından, gerilimin bulunduğu tarafta enlemesine kesim yapılabilir (B). Böylece, palanın sıkışması engellenmiş olur.

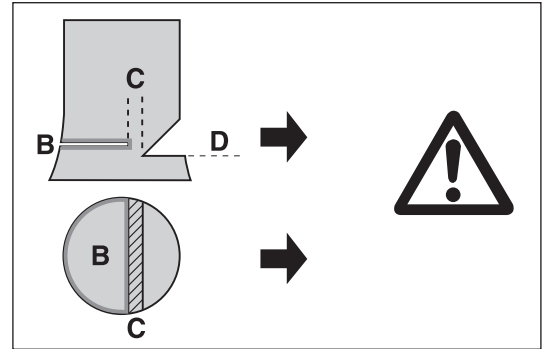
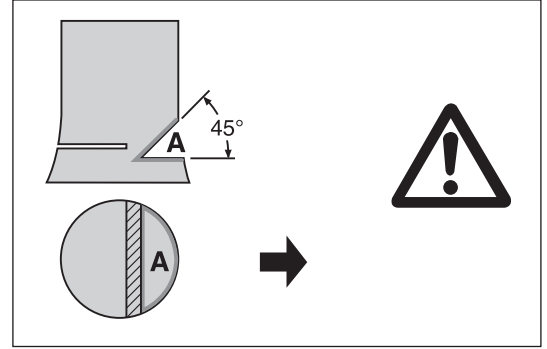
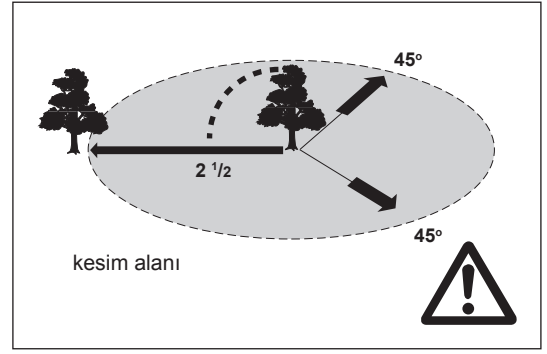
⚠ DİKKAT:

Ağaç veya dal kesimi yapan kişiler özel bir eğitim almalıdır. Yüksek yaralanma riskleri bulunur!

- Dal kesimi yapılırken, ağaç kesim motoru ağaç gövdesine dayanmalıdır. Kesim için palanın alt tarafını kullanmayın (geri tepme riski).
- Gerilim altında olan dallara dikkat edin. Serbest dalları alttan kesmeyin.
- Kesinlikle ağaç gövdesi üzerinde dururken gerilim azaltma kesimleri yapmayın.

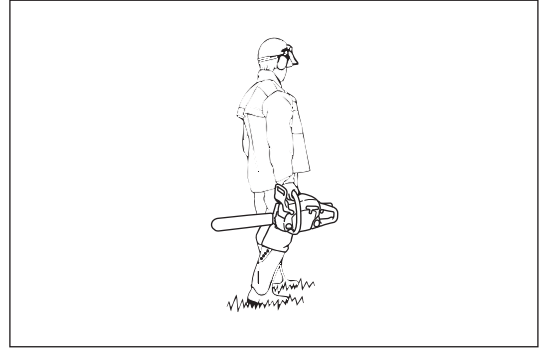


- **Bir ağacı kesmeden önce şu hususlara dikkat edin:**
 - a) Çalışma alanında yalnızca ağaç kesimiyle doğrudan ilgili kişiler bulunmalıdır.
 - b) Çalışma alanındaki her işçi herhangi bir engele takılmaksızın etki alanından çıkabilmelidir (işçiler, çapraz şekilde, yani 45°'lik açıyla geriye doğru çıkmalıdır).
 - c) Ağaç gövdesinin alt bölümünde yabancı maddeler, küçük çalılar ve dallar bulunmamalıdır. Yere sağlam ve dengeli bastığınızdan emin olun (tökezleme riski).
 - d) Bir sonraki çalışma alanı en az 2,5 ağaç uzaklıkta olmalıdır. Bir ağacı kesmeden önce, ağacın devrilme yönünü kontrol edin ve 2,5 ağaçlık mesafe içerisinde insanların ve zarar görebilecek şeylerin bulunmadığından emin olun.
- **Ağacın değerlendirilmesi:** Dayanma yönü - gevşek veya kuru dallar - ağacın yüksekliği - doğal askı durumu - ağaç çürümüş mü?
- Rüzgarın yönünü ve hızını da dikkate alın. Güçlü rüzgar esiyorsa, ağaç kesimi yapmayın.
- **Köklerin kesilmesi:** Çalışmaya en güçlü kökten başlayın. Önce düşey, ardından yatay kesimleri yapın.
- **Gövdede oyuk açılması:** Oyun (A), ağacın devrilme yönünü belirler ve ağacı yönlendirir. Ağaç gövdesindeki oyuk, devrilme yönüne dik olur ve gövde çapının 1/3'ü ile 1/5'i kadar yapılır. Oyuk kesimi mümkün olduğunca zemine yakın yapılmalıdır.
- Kesim düzeltmesi yapılırken, bu işlem daima oyuğun tüm genişliği boyunca yapılmalıdır.
- Ağacı oyuğun (D) alt kenarı üzerinden **kesin**. Bu kesim tam yatay (B) olmalıdır. Her iki kesim arasında ağaç gövdesi çapının yaklaşık 1/10'u kadar bir mesafe (C) kalmalıdır.
- **İki kesim arasında kalan malzeme** bir menteşe görevi görür. Kesinlikle kesimi sonuna kadar devam ettirmeyin, aksi takdirde ağaç kontrolsüz şekilde devrilir. Devirme takozlarını zamanında yerleştirin.
- Kesimi yalnızca plastik veya alüminyumdan imal edilmiş takozlarla destekleyin. Kesinlikle demir takozlar kullanmayın. Testerenin demir takoza temas etmesi halinde, zincir ciddi şekilde hasar görebilir veya parçalanabilir.
- Ağaç kesimi yaparken, daima kesilen ağacın yan tarafında durun.
- Kesim sonrası geri çekilirken, düşen dallara dikkat edin.
- Eğimli bir zeminde çalışılıyorsa, ağaç kesim motoru kullanıcısının mutlaka kesilecek veya kesilmiş ağacın üst veya yan tarafında durması gerekir.
- Size doğru yuvarlanabilecek ağaçlara karşı dikkatli olun.



Taşıma ve saklama

- Çalışma sırasında konumunuzu değiştirirken, ağaç kesim motorunun yanlışlıkla çalışmasını önlemek için ağaç kesim motorunu kapatın ve zincir frenini uygulayın.
- Ağaç kesim motorunu kesinlikle zincir dönerken taşımayın veya bırakmayın. Ağaç kesim motoru çok sıcakken, üzerini (muşamba, battaniye, gazete kağıdı vb. ile) örtmeyin. Depoya veya araca kaldırmadan önce ağaç kesim motorunun soğumasını bekleyin. Katalitik dönüştürücülü ağaç kesim motorları daha geç soğur!
- Taşıma ve saklama sırasında zincir korumayı kullanın.
- Ağaç kesim motorunu ön saptan tutarak taşıyın. Pala arkaya bakmalıdır. Susturucuya dokunmaktan kaçının (yanık tehlikesi).
- Araçta taşırken yakıtın dökülmemesi ve olası hasarların ve yaralanmaların önlenmesi için ağaç kesim motorunu güvenli şekilde yerleştirdiğinizden emin olun.
- Ağaç kesim motorunu güvenli ve kuru bir yere kaldırın. Kesinlikle açık bir yerde bırakılmamalıdır. Ağaç kesim motorunu çocukların erişemeyeceği bir yerde saklayın.
- Ağaç kesim motoru uzun süreli depoya kaldırılmadan veya uzun mesafe taşınmadan önce, mutlaka yakıt ve yağ depoları tamamen boşaltılmalıdır.
- Depoya kaldırmadan önce temizleyin ve bakım yapın.



Bakım

- Bakım çalışmasına geçmeden önce, mutlaka ağaç kesim motorunu kapalı konuma getirin ve buji kapağını çıkartın.
- Çalışmaya başlamadan önce, ağaç kesim motorunun, özellikle de zincir freninin güvenli çalıştığını kontrol edin. Zincirin daima doğru şekilde bilenmiş ve sıkılmış olduğundan emin olun.
- Ağaç kesim motorunu yalnızca düşük çalışma sesi ve emisyon seviyesinde çalıştırın. Bu nedenle, karbüratörün doğru şekilde ayarlandığından emin olun.
- Ağaç kesim motorunu düzenli olarak temizleyin.
- Depo kapağının sıkılığını düzenli olarak kontrol edin.
- Ticaret birlikleri ve sigorta şirketleri tarafından verilen kaza önleme talimatlarını dikkate alın.
- Ağaç kesim motoru üzerinde değişiklik yapmayın. Kendi güvenliğinizi riske atmayın.
- Yalnızca bu kullanım kılavuzunda açıklanan bakım ve onarım çalışmalarını gerçekleştirin. Diğer tüm işlemler Dolmar Servisi tarafından gerçekleştirilmelidir.
- Yalnızca orijinal Dolmar yedek parçaları ve aksesuarlarını kullanın.
- Orijinal Dolmar yedek parçalar ve aksesuarlar dışındaki parçaların ve onaylanmamış pala/zincir kombinasyonları veya uzunluklarının kullanılması yüksek kaza riski meydana getirir. Onaylanmamış kesim parçaları veya aksesuarların kullanımından doğacak kazalar ve hasarlardan dolayı tarafımızca hiçbir sorumluluk kabul edilmeyecektir.

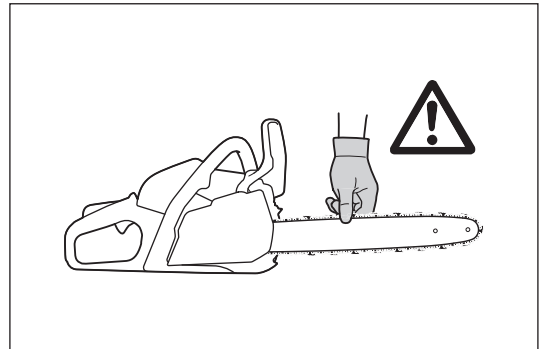


Titreşim

Kan dolaşımı zayıf olan kişilerin aşırı titreşime maruz kalması, damarların veya sinir sisteminin zarar görmesine yol açabilir.

Titreşim parmaklarda, ellerde ve bileklerde şu semptomlara neden olabilir: "Uyuşma" (hissizlik), karıncalanma, ağrı, batma hissi, cilt renginin veya cildin değişmesi.

Bu semptomlardan herhangi biri ortaya çıkarsa, doktora başvurun!
Titreşimden kaynaklı beyaz parmak rahatsızlığı riskini düşürmek için, ellerinizi sıcak tutun, eldiven takın ve testere zincirinin keskin olduğundan emin olun.

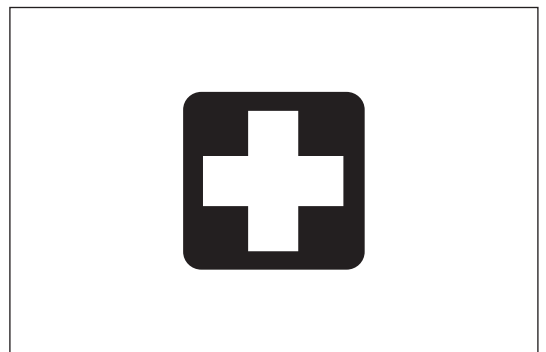


İlk Yardım

Bir kaza durumuna karşı ilk yardım çantasının kesim çalışmasının yapıldığı yere yakın olduğundan emin olun. İlk yardım kutusundan bir şey alındığında derhal yerine yenisini koyun.

Yardım isterken, lütfen şu bilgileri verin:

- Kazanın yeri
- Ne olduğu
- Yaralı kişi sayısı
- Yaralanma tipi
- Adınız



Yalnızca Avrupa ülkeleri için

AT Uygunluk Beyanı

AT uygunluk beyanı bu kullanım kılavuzunun Ek A'sında verilmiştir.

TEKNİK VERİLER

Model		PS-352	PS-352 TLC
Toplam uzunluk (palasız)	mm	388	
Net ağırlık	kg	4,2	
Strok hacmi	cm ³	35,2	
Delik	mm	38	
Strok	mm	31	
Çalışma sırasında maks. güç	kW/dak ⁻¹	1,7/10.000	
Çalışma sırasında maks. tork	Nm/dak ⁻¹	2,0/7.000	
Rölanti devri/pala ve zincirle birlikte maks. motor devri	dak ⁻¹	2.900/13.500	
Kavrama devri	dak ⁻¹	4.100	
Karbüratör	Tipi	Diyafram	
Buji	Tipi	NGK BPMR 8Y	
Elektrot boşluğu	mm	0,7	
Yakıt deposu kapasitesi	cm ³	310	
Zincir yağı deposunun kapasitesi	cm ³	260	
Karışım oranı (yakıt/çift zamanlı yağ) Dolmar orijinal yağ veya JASO FC (ISO EGC) sınıfı veya üzeri kalitede yağ		50:1	
Zincir freni		Manüel veya geri tepme durumunda otomatik devreye girer.	
Zincir devri	m/sn	25,3	
Zincir dişlisi adımı	mm (inç)	0,95 (3/8)	
Diş sayısı	Z	6	
ISO 22868 uyarınca çalışma alanındaki L _{PA, eş} ses gücü seviyesi ¹⁾	dB (A)	99	
	K _{PA}	2,5	
ISO 22868 uyarınca ses gücü seviyesi L _{WA, FI + Ra} ²⁾	dB (A)	111	
	K _{WA}	2,5	
ISO22867 uyarınca titreşim artışı a _{hv, eş} ¹⁾	ön sap	m/sn ²	3,3
		K	2,0
	arka sap	m/sn ²	3,4
		K	2,0

1) Değerler rölanti, tam yük ve yarış devri koşullarının ortalaması alınarak hesaplanmıştır.

2) Değerler tam yük ve yarış devri koşullarının ortalaması alınarak hesaplanmıştır.

- Sürekli yapılan araştırma ve geliştirmelerden dolayı, burada belirtilen özellikler önceden bildirilmeksizin değiştirilebilir.
- Özellikler ülkeden ülkeye farklılıklar gösterebilir.

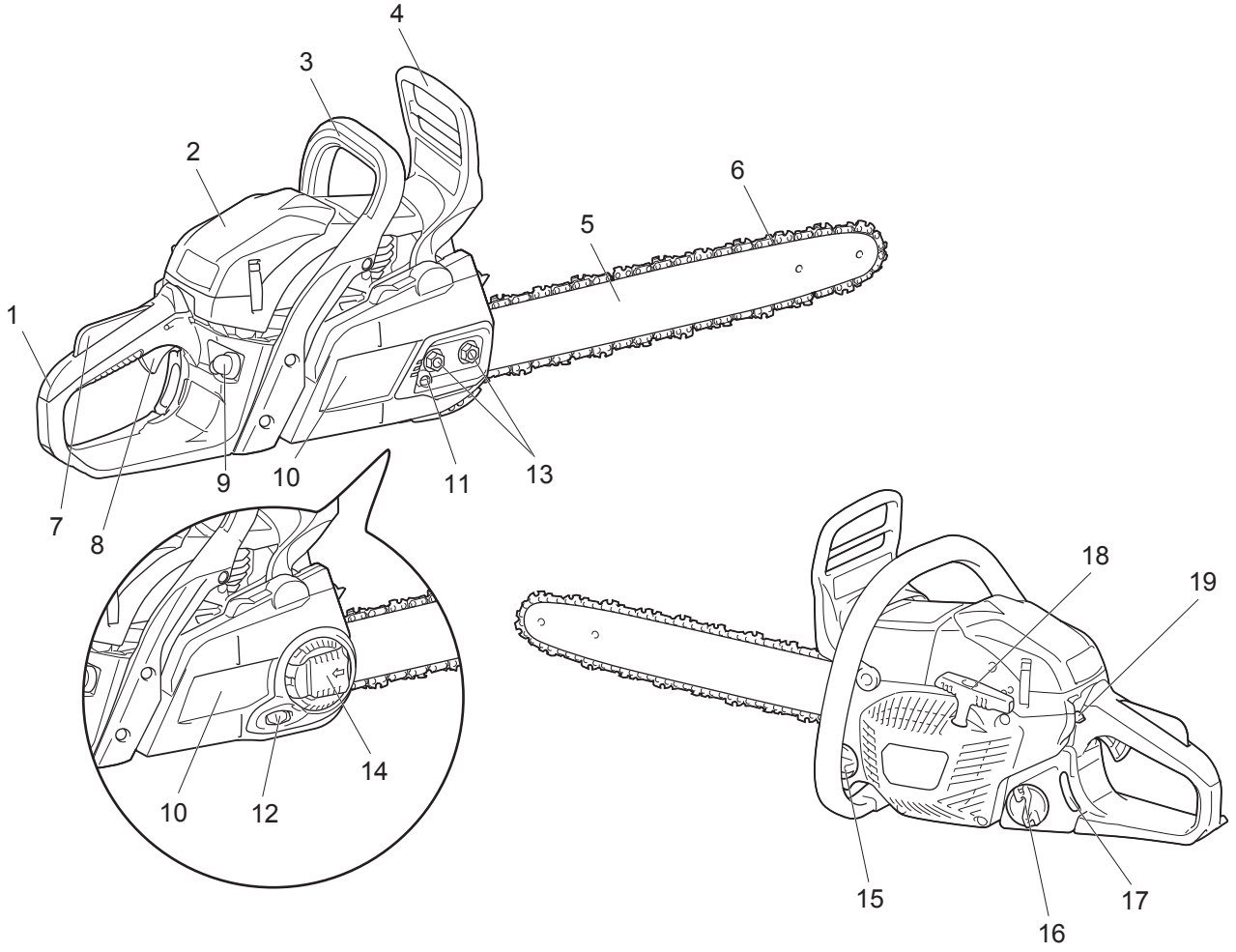
Pala ve testere zinciri

Pala tipi		Zincir dişlisi burun demiri	
Uzunluk		350 mm	400 mm
Kesme uzunluğu		325 mm	360 mm
Testere zinciri	Tipi	492 (91PX)	
Adım		3/8"	
Mesnet		1,3 mm (0,05")	
Tahrik bağlantısı sayısı		52	56

⚠ UYARI:

Palanın ve testere zincirini doğru kombinasyonda kullanın. Aksi takdirde, yaralanmalar meydana gelebilir.

PARÇALARIN GÖSTERİMİ



Parçaların gösterimi	
1	Arka sap
2	Temizleyici kapağı
3	Ön sap
4	Ön el siperi
5	Pala
6	Testere zinciri
7	Kısma mandalı kilidi
8	Kısma mandalı
9	Yakıt pompası (Ana pompa)
10	Zincir kapağı
11	Zincir ayar vidası
12	Zincir ayar kadranı
13	Tespit somunları
14	Mandal
15	Yağ deposu kapağı
16	Yakıt deposu kapağı
17	Yağ seviyesi göstergesi
18	Marş kolu
19	Kombinasyon mandalı

AĞAÇ KESİM MOTORUNUN GÜVENLİK İŞLEVİ

⚠ UYARI:

- Aşağıda açıklanan güvenlik işlevleri her zaman kazalara karşı tam koruma sağlanacağı anlamına GELMEZ. **Yalnızca doğru kullanım ve teknikler geri tepme ve diğer tehlike kaza ihtimallerini düşürür.**
- Kullanmaya başlamadan önce daima güvenlik işlevlerini kontrol edin.
- Zincir dişlisi kontrollerden geçmezse, motoru derhal kapalı konuma getirin ve ağaç kesim motorunu kullanmayı BIRAKIN. Dolmar yetkili servis merkezine danışın.

Zincir freni

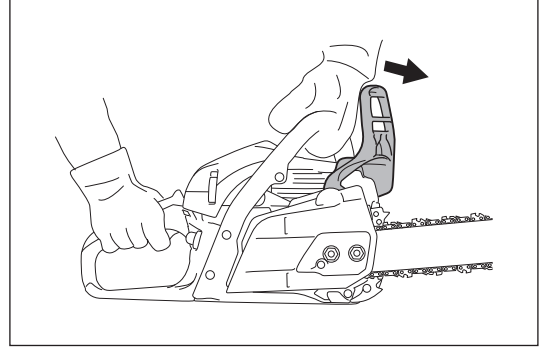
Zincir freni bir saniyeden daha kısa bir süre içerisinde zincirin durdurulmasını sağlamak üzere tasarlanmıştır. Geri tepme yeterince kuvvetli olduğunda devreye girer.

Zincir frenini manuel olarak uygulamak için, ön el siperini sol elinizle ileri doğru (ağaç kesim motorunun ucuna doğru) itin.

Zincir frenini açık konuma getirmek için, ön el siperini geriye doğru (kendinize doğru) çekin.

İKAZ:

- Zincir freni devredeyken motoru hızlandırmayın (test işlemi haricinde).
- Çalışmaya başlamadan önce daima zincir frenini açık konuma getirin.



Zincir freninin kontrolü

1. Motoru rölantide çalıştırın.
2. Ağaç kesim motorunu iki elinizle kavrayarak tutun. Arka sapı sağ elinizle, ön sapı sol elinizle tutun. Pala ve zincir başka bir nesneye temas etmediğinden emin olun.
3. Elinizin arkasını kullanarak ön el siperini, zincir freni devreye girene kadar itin.
4. Motor 3 saniyeden daha kısa bir süre boyunca tam devrine ulaşınca kadar devri yükseltin. Testere zincirinin hiçbir şekilde hareket etmediğinden emin olun.
5. Motoru tekrar rölanti konumuna getirin ve zincir frenini serbest bırakın.

Fren bandının kontrolü

Fren bandı, zincir kapağının arkasındadır. Zincir freni zamanla aşınır. Bu nedenle, en az 3 yılda bir Dolmar yetkili servis merkezi tarafından kontrol edilmesini ve servise alınmasını sağlayın.

Kısma mandalı kilidi

Kısma mandalı kilidi ağaç kesim motorunun kazara çalıştırılmasını önlemek için tasarlanmıştır. Kısma mandalını yalnızca kısma mandalı kilidi açık konumdayken (yani, sapı kavriyorken) çekebilirsiniz.

Kısma mandalı kilidinin kontrolü

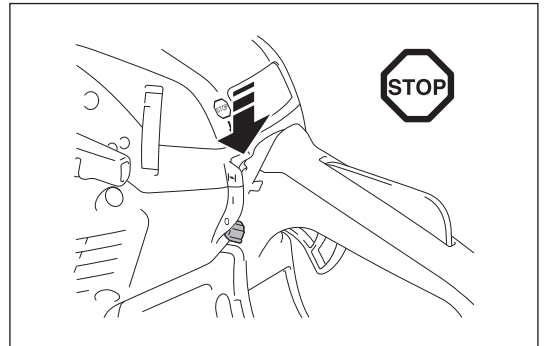
Elinizi arka saptan çektikten sonra kısma mandalı kilidinin başlangıçtaki konumuna döndüğünü kontrol edin.

Motorun durması

İsteddiğinizde motorun durduğundan emin olun.

Motorun durmasının kontrolü

Motoru çalıştırın. Ardından, kısma mandalını serbest bırakın ve kombinasyon mandalını alt (O) konumuna bastırın.

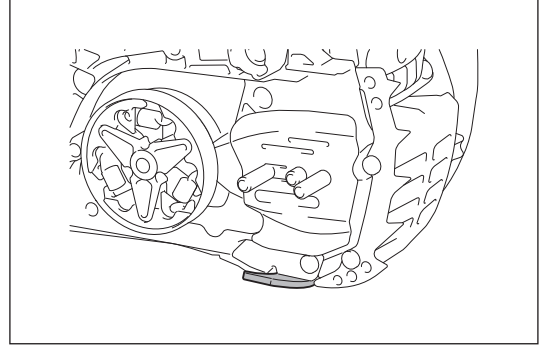


Zincir yakalayıcı

Zincir yakalayıcı, testere zincirinin paladan çıkması durumunda zinciri yakalamak için tasarlanmıştır. Testere zinciri doğru şekilde gerili olmasında çıkmaz. Testere zincirinin gerginliğini daima kullanım kılavuzuna uygun şekilde kontrol edin ve ayarlayın.

Zincir yakalayıcının kontrolü

Zincir yakalayıcının hasar görmediğini ve gövde üzerine sağlam şekilde oturduğunu kontrol edin.



MONTAJ

⚠ UYARI:

- Pala veya testere zinciri üzerinde herhangi bir çalışma yapmadan önce, mutlaka motoru durdurun ve kesici parçanın durduğundan emin olun.
- Daima koruyucu eldiven takın.

⚠ DİKKAT:

- Ağaç kesim motorunu yalnızca tam olarak monte edildikten ve kontrolü yapıldıktan sonra çalıştırın.

Pala ve testere zincirinin takılması

İKAZ:

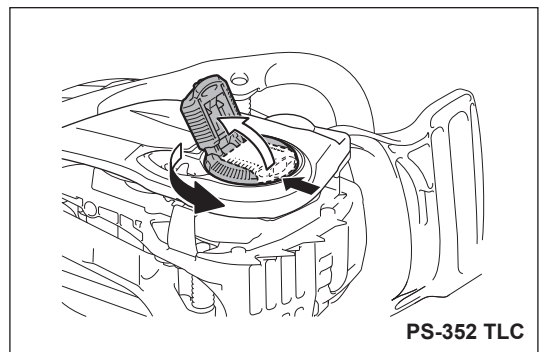
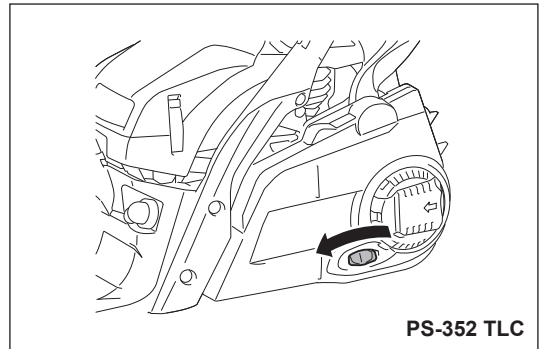
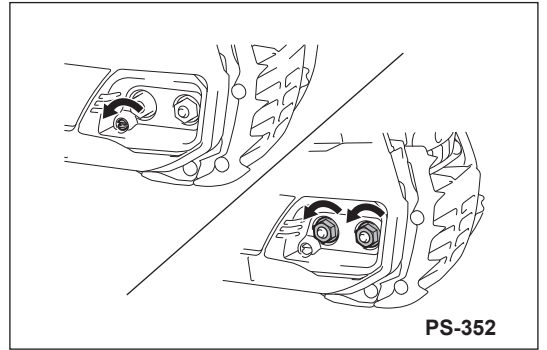
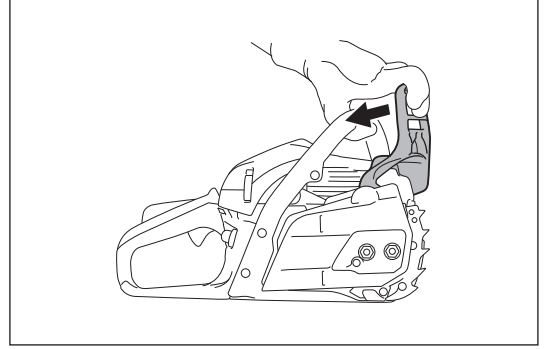
- Testere zincirinin takılması ve sökülmesi işlemleri talaş veya yabancı maddelerin bulunmadığı temiz bir ortamda yapılmalıdır.

Ağaç kesim motorunu sağlam bir zemin üzerine yerleştirin ve şu adımları takip edin:

1. Ön el siperi çekerek zincir frenini serbest bırakın.
2. Zincir gerginliğini tamamen gevşetin.
3. (PS-352 modeli için) Tespit somunlarını sökün.
(PS-352 TLC modeli için) Mandalı bastırın ve duruncaya kadar sonuna kadar açın. Mandalı saat yönünün tersine çevirin.
4. Zincir kapağını çıkartın.

İKAZ:

- Zincir kapağını, zincir frenini serbest bırakmadan çıkartamazsınız.



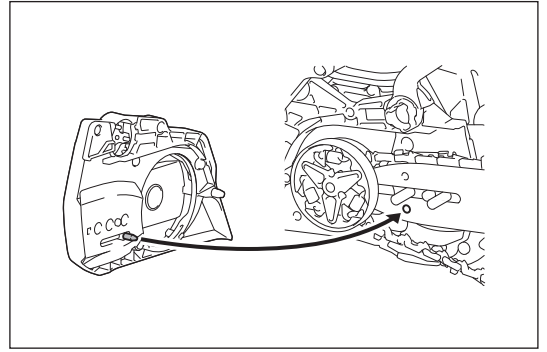
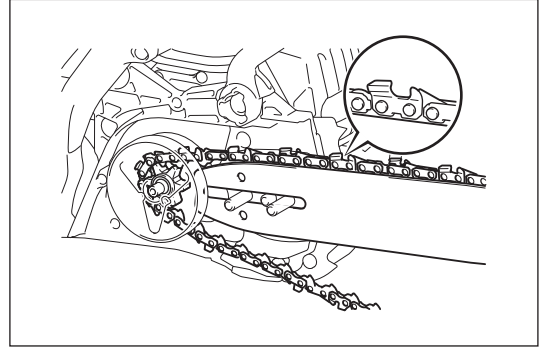
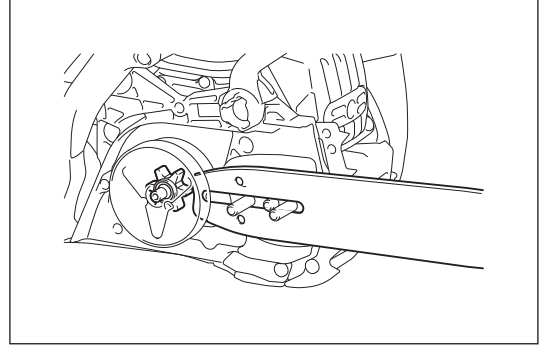
5. Palayı pala cıvataları üzerine yerleştirin.
6. Testere zincirinin yönünü kontrol edin. Testere zinciri üzerindeki oklar mutlaka ağaç kesim motoru gövdesi üzerindeki okla aynı yöne bakmalıdır.
7. Testere zincirini ilk olarak zincir dişlisi üzerine yerleştirin ve ardından testere zincirini pala ucuna takın.
8. Zincir kapağını ayar pimi, pala üzerindeki deliğe karşılık gelecek şekilde yerleştirin.

İKAZ:

- Testere zincirini zincir yakalayıcı üzerinden kaldırın.
9. (PS-352 modeli için) Zincir kapağını sabitlemek için tespit somunlarını sıkın ve ardından gerginlik ayarı için bir miktar gevşetin.
(PS-352 TLC modeli için) Zincir kapağını sabitlemek için mandalı saat yönünde çevirin ve ardından gerginlik ayarı için bir miktar gevşetin.
 10. Testere zinciri gerginliğini ayarlayın. ("Testere zinciri gerginliğinin ayarlanması" bölümü adım 3 ve sonrasına bakın.)

NOT:

- Palanın sabit bir şekilde aşınmasını sağlamak için, zinciri değiştirirken ters çevirin.



Testere zinciri gerginliğinin ayarlanması

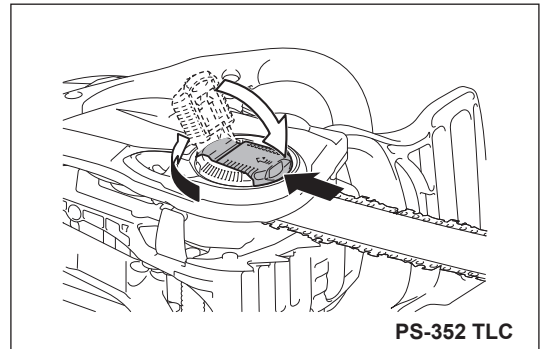
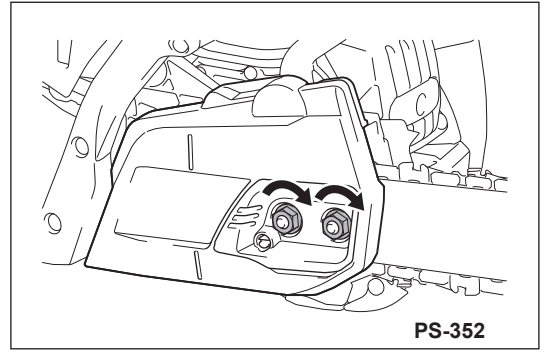
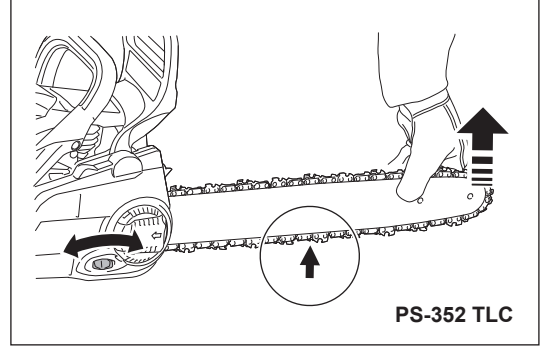
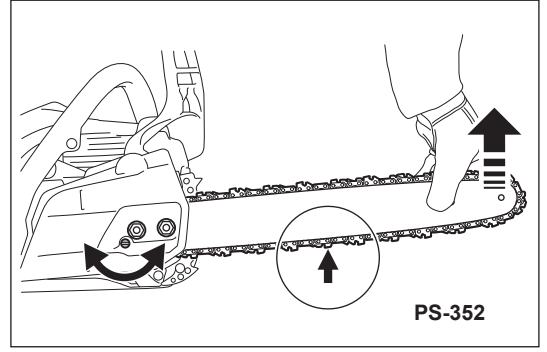
⚠ DİKKAT:

- Aşırı derecede gevşek bir testere zinciri paladan çıkabilir ve bu nedenle kaza riski teşkil eder. Testere zinciri çok gevşerse, ayarlayın.
- Testere zincirinin aşırı gergin olması ise zincirin kopmasına, palanın aşınmasına ve ayar vidasının/kadranının kırılmasına yol açabilir.

Birkaç saatlik uzun çalışmalardan sonra testere zinciri gevşeyebilir. Testere zincirini değiştirdiğinizde veya birkaç saatlik çalışma sonrasında, tekrar kullanmadan testere zincirinin gerginliğini ayarlayın. Doğru şekilde ayarlanan bir testere zinciri iyi bir performans elde edilmesine ve makinenin uzun ömürlü olmasına yardımcı olur. Zincir, palanın alt kenarına dayanıyorsa ve aynı zamanda elle kolayca döndürülebiliyorsa, zincir gerginliği doğrudur. Zincir gerginliğini sık sık kontrol edin; yeni zincirler kullanım sırasında uzama eğilimindedir.

Testere zinciri gerginliğini ayarlamak için, şu prosedürü takip edin:

1. Ön el siperini çekerek zincir frenini serbest bırakın.
2. (PS-352 modeli için) Zincir kapağını gevşetmek için tespit somunları bir miktar açın.
(PS-352 TLC modeli için) Mandala bastırın ve durana kadar tamamen açın.
Zincir kapağını bir miktar gevşetmek için mandalı saat yönünün tersine çevirin.
3. Palanın ucunu bir miktar kaldırın ve bu şekilde tutun.
4. (PS-352 modeli için) Testere zinciri gerginliğini ayarlamak için zincir ayar vidasını çevirin.
(PS-352 TLC modeli için) Testere zinciri gerginliğini ayarlamak için zincir ayar kadranını çevirin.
5. Zincir gerilimini testere zincirinin alt tarafı, pala rayına tam olarak oturacak şekilde ayarlayın (şekilde daire ile gösterilen alana bakın).
Zincir gerginliğinin ayarlanması sırasında, palanın ucunu kaldırmaya devam edin.
6. Palayı hafifçe tutarken, zincir gerginliğini ayarladıktan sonra zincir kapağını sıkın.
(PS-352 modeli için) Zincir kapağını sabitlemek için tespit somunlarını sıkın.
(PS-352 TLC modeli için) Zincir kapağını sabitlemek için mandalı sonuna kadar saat yönüne çevirin. Ardından, mandalı bastırarak kapalı konuma getirin.
7. Testere zincirinin alt taraftan gevşemediğinden, palanın alt tarafına sıkı bir şekilde oturduğundan emin olun.



KULLANIM ÖNCESİ

⚠ UYARI:

- CİLT VE GÖZ TEMASINDAN KAÇININ. Madeni yağ ürünleri cildinizi tahriş eder. Bu maddelerin uzun süre arka arkaya cildinize teması halinde, cildiniz kuruyabilir. Çeşitli cilt hastalıkları ortaya çıkabilir. Ayrıca, alerjik reaksiyonların oluştuğu da bilinmektedir. Yağ teması halinde gözde tahriş meydana gelebilir. Yağın gözlerinize temas etmesi halinde, gözlerinizi derhal temiz suyla yıkayın. Gözlerinizdeki tahriş devam ederse, derhal bir doktora başvurun.

Yakıt

⚠ DİKKAT:

- Benzinle ilgili işlemler sırasında özellikle dikkatli olun.
- Sigara içmeyin. Makineyi açık alevlerden, kıvılcımlardan ve ateşten yeterince uzakta tutun (patlama tehlikesi).

Yakıt karışımı

Bu makine, yüksek performanslı, hava soğutmalı çift zamanlı bir motorla çalışır.

Yakıt ve çift zamanlı motor yağı karışımı kullanılır.

Motor, minimum oktan değeri 91 RON (89 AKI) olan ve etanol içeriği %10'u geçmeyen kurşunsuz normal benzin için tasarlanmıştır. Bu tür yakıt bulunamıyorsa, daha yüksek oktan değerli bir yakıt da kullanabilirsiniz. Bu durum motoru etkilemeyecektir.

Motorun optimum güç elde etmek ve kendi sağlığını ve çevreyi korumak için, yalnızca kurşunsuz benzin kullanın.

Motoru yağlamak için, çift zamanlı hava soğutmalı motorlar için tasarlanan bir sentetik yağ (Dolmar orijinal yağ veya JASO FC (ISO EGC) sınıfı veya üzeri kalitede yağ) kullanın. Motor yağınızı yakıtla karıştırın.

⚠ DİKKAT:

- Benzin istasyonlarından satın alınan hazır karışmış yakıtları kullanmayın. Doğru karışım oranı: 50:1; yani 50 birim benzin 1 birim yağla karıştırılmalıdır.

NOT:

- Yakıt-yağ karışımının hazırlanması için, tüm yağı gerekli yakıt miktarının yarısıyla karıştırın ve ardından yakıtın diğer yarısını ilave edin. Ağaç kesim motorunun deposuna doldurmadan önce karışımı iyice karıştırın.

Motor yağınızı belirtilenden fazla eklemeyin. Yağın yanlış karışım oranında kullanılması daha kirletici yanma artıklarının ortaya çıkmasına neden olur. Ayrıca, silindir ve susturucudaki egzoz kanalını tıkayarak, performansın düşmesine ve yakıt tüketiminin artmasına neden olabilir.

Yakıtın Saklanması

Yakıtların belirli bir saklama ömrü vardır. Yakıt karışımları özellikle sıcak yerlerde buharlaşarak bozulur. Bozulan yakıt ve yakıt karışımları da çalıştırma sorunlarına yol açar ve motora zarar verir. Yalnızca birkaç ay içerisinde tüketebileceğiniz miktarda yakıt satın alın. Yüksek sıcaklıklarda, yakıt karışımı hazırlandıktan sonra 6-8 hafta içerisinde kullanılmalıdır. Yakıtı mutlaka uygun kaplar içerisinde kuru, serin ve güvenli yerlerde muhafaza edin.

Zincir yağı

Zinciri ve palayı yağlamak için katkı maddeli bir yağ kullanın. Katkı maddesi, yağın zincirde daha uzun süre kalmasını sağlar.

Çevrenin korunması için, Dolmar orijinal zincir yağı veya biyolojik olarak bozunabilen bir zincir yağı kullanmanızı öneririz. Bulduğunuz ülkede yürürlükte olan yönetmelikler uyarınca, biyolojik olarak bozunabilen zincir yağı kullanmanız zorunlu olabilir.

Biyolojik olarak bozunabilen yağların belirli bir kullanım ve saklama ömrü vardır. Bu ürünleri üretim tarihinden (kabında yazılıdır) itibaren 2 yıl içerisinde kullanın.

Biyolojik olarak bozunabilir zincir yağları hakkında önemli not

Ağaç kesim motorunu uzun bir süre kullanmayı düşünmüyorsanız, yağ deposunu boşaltın ve içerisine az miktarda normal motor yağı (SAE 30) doldurun ve ağaç kesim motorunu bir süre çalıştırın. Yağ deposunda, yağ besleme sisteminde, zincirde ve palada kalan biyolojik olarak bozunabilen yağların boşaltılması gerekir, aksi takdirde bu yağlar zamanla yapışkan artıklara dönüşür ve yağ pompasının veya diğer parçaların arızalanmasına neden olabilir.

KESİNLİKLE ATIK YAĞ KULLANMAYIN

Atık yağlar çevre için çok tehlikelidir.

Atık yağlarda yüksek miktarda kanserojen madde bulunur.

Atık yağdaki artıklar, yağ pompasında ve kesim parçasında yüksek derecede aşınmaya ve yıpranmaya neden olabilir.

Atık yağ veya uygun olmayan zincir yağının kullanılmasından doğacak hasarlarda, ürün garantisi geçersiz olacaktır.

Yakıt doldurma ve zincir yağının doldurulması

⚠ UYARI:

- GÜVENLİK TALİMATLARINI TAKİP EDİN. Yakıtla ilgili işlemleri dikkatli ve sağduyulu şekilde gerçekleştirin.
- Motoru kapatın.

⚠ DİKKAT:

- Yakıt doldurduktan sonra depo kapağını ve deponun etrafındaki alanı temizleyin. Yakıtı veya zincir yağını şu şekilde doldurun:
1. Yakıt veya yağ deposuna pislik girmesini önlemek için, depo kapağının etrafındaki alanı iyice temizleyin.
 2. Kapağı açın ve depoları sırasıyla yakıt (yakıt/yağ karışımı) ve zincir yağıyla doldurun.
 3. Doldurma borusunun alt kenarına kadar doldurun. Yakıtı veya zincir yağını dökmemeye dikkat edin!
 4. Depo kapaklarını elinizle sonuna kadar sıkın.

Zincirin yağlanması

⚠ UYARI:

- Zincir yağı deposunu yalnızca motor kapalı konumdayken kontrol edin. Çalışma sırasında zincirin doğru şekilde yağlanması için, zincir yağı deposunda yeterli zincir yağının olduğundan emin olun. Orta yağ besleme devrinde yağ deposu kapasitesi yaklaşık olarak bir tam dolu yakıt deposunun çalışmasına denk gelir. Çalıştırma veya yakıt doldurma öncesinde, zincir yağı seviyesini kontrol edin ve gerekirse yağ doldurun.

Zincir yağlanmasının ayarlanması

⚠ UYARI:

- Motoru kapatın.
- Yağ pompası besleme devrini ayar vidasıyla ayarlayabilirsiniz. Yüksek, orta ve düşük olmak üzere üç yağ pompası besleme devri kademesi vardır. Ayar vidası ağaç kesim motorunun altında bulunur. Bir tornavida yardımıyla yağ dağıtım miktarını uygun şekilde ayarlayın.

Yağ besleme oluşunun temizlenmesi

Yağ pompasının güvenli çalışmasını garanti etmek için, gövdedeki yağ besleme oluşunu ve paladaki yağ besleme deliğini düzenli olarak kontrol edin.

Zincir yağlanmasının kontrolü

⚠ DİKKAT:

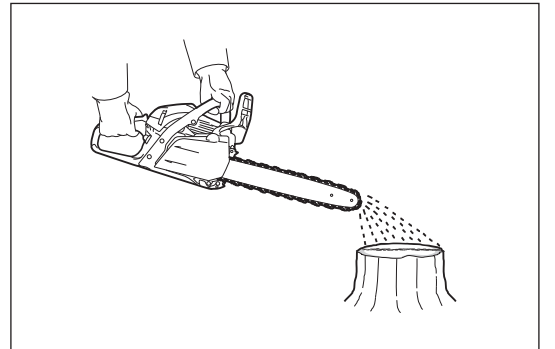
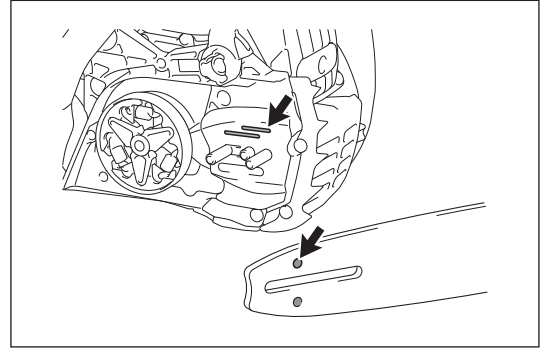
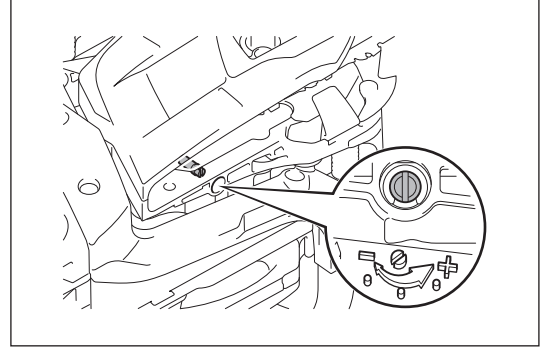
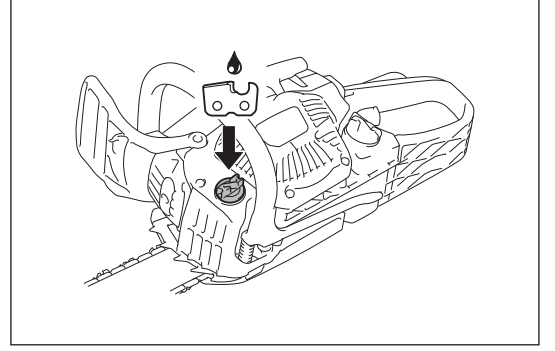
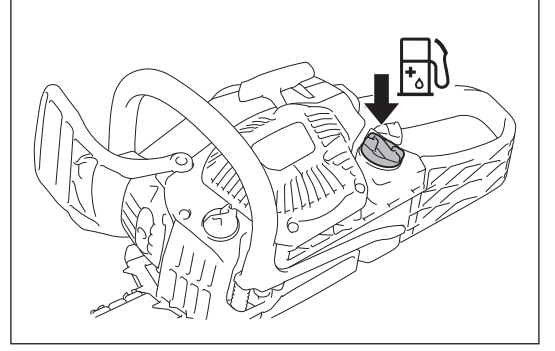
- Ağaç kesim motorunu kesinlikle yetersiz zincir yağıyla çalıştırmayın. Aksi takdirde, testere zincirinin ve palanın kullanım ömrü kısılacaktır.
- Çalışmaya başlamadan önce, depodaki yağ seviyesini ve yağ beslemesini kontrol edin.
- Rüzgarın esme yönünü dikkate alın ve gereksiz yere sıçrayan yağa temas etmemeye çalışın.

Yağ beslemesi devrini şu şekilde kontrol edin:

1. Ağaç kesim motorunu çalıştırın.
2. Ağaç kesim motorunu bir ağaç gövdesinin veya zeminin (uygun bir yüzey kullanın) yaklaşık 15 cm (6") yukarısında çalışır vaziyette tutun.
3. Yağlama yetersizse, zincirdeki yağ etrafa saçılacağından hafif bir yağ izi görebilirsiniz.

NOT:

- Ağaç kesim motoru kapalı konuma getirildikten sonra, artık zincir yağının yağ besleme sisteminden, paladan ve zincirden bir süre damlaması normal bir durumdur. Bu bir arıza olduğu anlamına gelmez. Ağaç kesim motorunu uygun bir yüzey üzerine yerleştirin.



MOTORUN ÇALIŞTIRILMASI VE DURDURULMASI

⚠ UYARI:

- Tam olarak monte edilmeden ve kontrolü yapılmadan kesinlikle ağaç kesim motorunu çalıştırmayın.

⚠ DİKKAT:

- Ağaç kesim motoru çalıştırmak için, yakıtın doldurulduğu yerden en az 3 metre (10 fit) uzağa gidin.
- Yere sağlam bastığınızdan emin olun ve ağaç kesim motorunu zemine yerleştirin.
- Palanın ve testere zincirinin hiçbir şeye dokunmadığından emin olun.
- Motoru çalıştırmadan önce zincir frenini etkinleştirmeyi unutmayın.

İKAZ:

- İpi kesinlikle sonuna kadar çekmeyin.
- Marş kolunu hafifçe muhafazasına doğru bırakın. Aksi takdirde, serbest bırakılan marş kolu vücudunuza çarpabilir veya yanlış sarılabılır.
- Ağaç kesim motoru çalıştırıldıktan hemen sonra rölanti konumuna getirilmelidir. Aksi takdirde, kavrama hasar görebilir; yetkili servis merkezine danışın.

Motorun çalıştırılması

1. Zincir frenini (kilidi) etkinleştirin.
2. Sol elinizle ön sapı sıkıca kavrarken, ağaç kesim motorunu zemine doğru bastırın.
3. Arka el siperini sağ ayağınızla bastırın.
4. Motoru aşağıdaki motor talimatlarına uygun olarak çalıştırın.

Soğuk çalıştırma

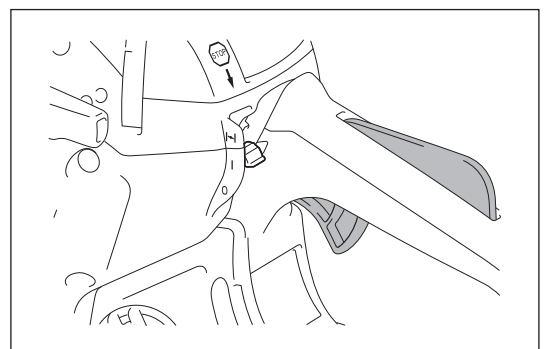
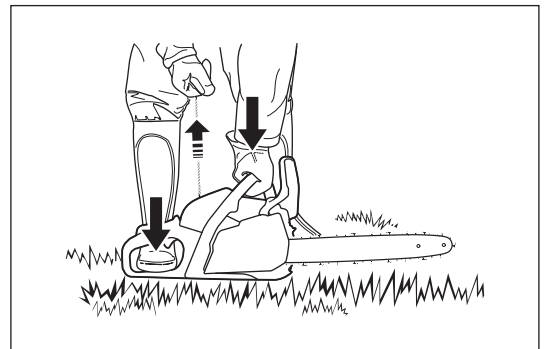
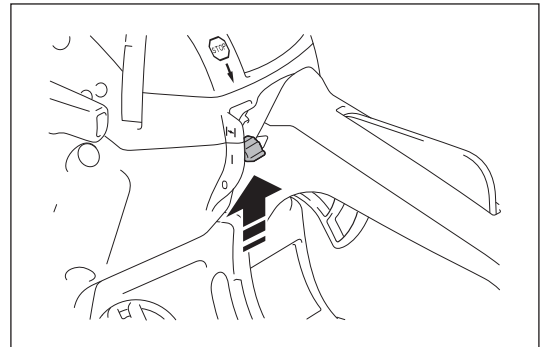
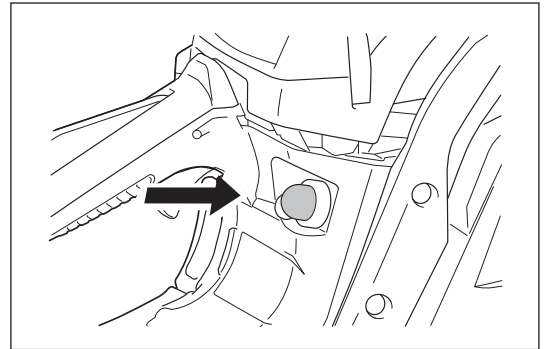
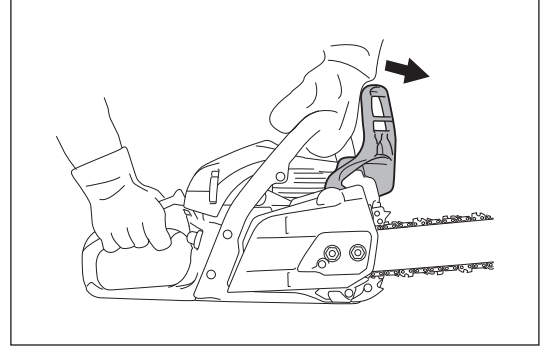
Motor çalıştırılmadan hemen önce kullanılmamışsa, şu adımları takip edin:

1. Ana pompadan yakıt çıkana kadar ana pompayı birkaç defa basın. (Genellikle 7 ila 10 defa basmanız yeterlidir.)
2. Kombinasyon mandalını yukarı (jikle konumuna) kaldırın. Bu işlem ayrıca yarım kısma kilidini de devreye sokacaktır.
3. Marş kolunu bir sıkışma hissedinceye kadar yavaşça çekin. Ardından, güçlüce çekin. Motor ateşlenene kadar iki ila dört deneme yapmanız gerekebilir.
4. Motor ateşlenir ateşlenmez, kombinasyon mandalını orta (I) konumuna getirin. Ardından, motor çalışmaya başlayıncaya kadar marş kolunu kuvvetlice çekin.
5. Arka sapı kavrayın (kısmi mandalı kilidi bu hareketinizle açılır) ve kısma mandalını bir miktar çektikten sonra geri bırakın.
6. Zincir frenini serbest bırakın.

Sıcak çalıştırma

Motor çalıştırılmadan hemen önce kullanılmışsa ve hala sıcaksa, şu adımları takip edin:

1. Ana pompadan yakıt çıkana kadar ana pompayı birkaç defa basın. (Genellikle 7 ila 10 defa basmanız yeterlidir.)
2. Kombinasyon mandalını yukarı (jikle konumuna) kaldırın ve ardından orta (I) konumuna geri getirin.
3. Marş kolunu bir sıkışma hissedinceye kadar yavaşça çekin. Ardından, güçlüce çekin. Motor çalışana kadar iki ila dört deneme yapmanız gerekebilir. Motor başlamıyorsa, soğuk başlatma adımlarını gerçekleştirin (bkz. "Soğuk çalıştırma"). Motor çalışmaya başlar başlamaz, arka sapı kavrayın (kısmi mandalı kilidi bu hareketinizle açılır) ve kısma mandalını bir miktar çektikten sonra geri bırakın.
4. Zincir frenini serbest bırakın.

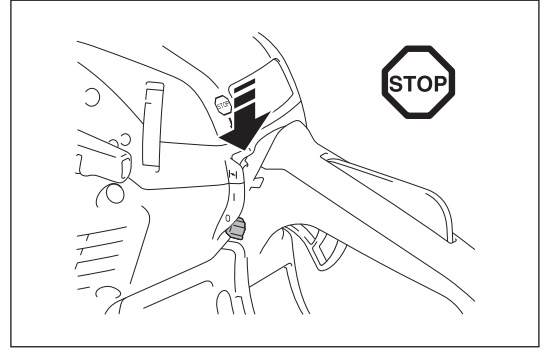


Motorun durdurulması

Kısma mandalını serbest bırakın ve kombinasyon mandalını alt (O) konumuna bastırın.

Kombinasyon mandalının konumu otomatik olarak (I) konumuna geri gelir. Motor bu düğme kapandığında durur, ancak çalışmaya hazırdır.

Ateşleme akımını kesmek için, kombinasyon mandalını aşağı doğru sonuna kadar bastırarak direnç noktasını geçin ve (O) konumunda kilitlemesini sağlayın.



Rölanti devrinin ayarlanması

⚠ UYARI:

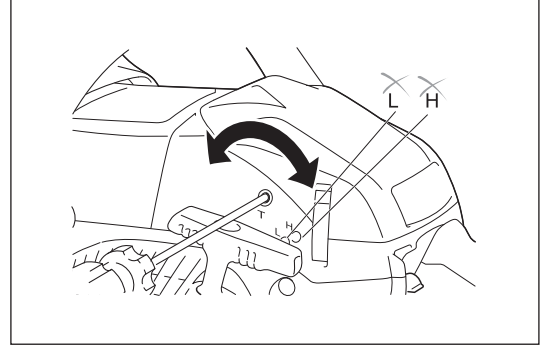
- Ağaç kesim motoru tam olarak monte edilmeden ve kontrolü yapılmadan kesinlikle rölanti devrini ayarlamayın.
- Ayar işleminden sonra testere zinciri hala rölanti devrinde hareket ediyorsa, ağaç kesim motorunu kullanmayı derhal bırakın ve onarım için bir Dolmar yetkili servis merkezine götürün.

⚠ DİKKAT:

- Çizimde gösterilen (H) ve (L) vidalarını ayarlamayın.
- Testere zinciri kısma mandalı çekilmeden rölantide hareket ediyorsa, rölanti devrinin ayarlanması gerekir.

Rölanti devrini şu şekilde ayarlayın:

- Motoru çalıştırın ve iki veya üç dakika ısınması için bekleyin, ancak motoru yüksek devirde çalıştırmayın.
- Rölanti devrini düşürmek için, ayar vidasını saat yönünün tersine çevirin.
- Rölanti devrini yükseltmek için, ayar vidasını saat yönünde çevirin.
- Testere zincirinin rölanti devrinde hareket etmediğinden emin olun.

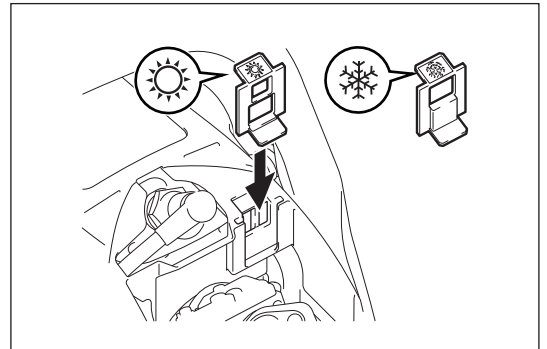
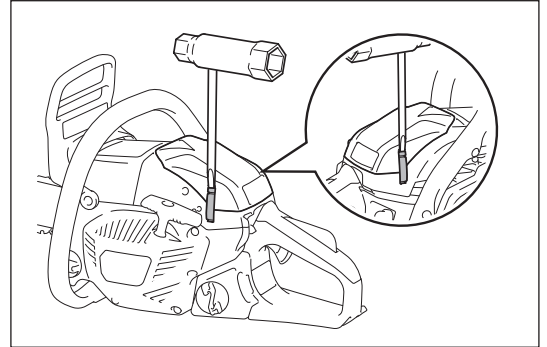


Karbüratör buzlanmasının önlenmesi

İKAZ:

- Ortam sıcaklığının 5°C'nin üzerinde olduğu durumlarda perdeyi daima normal (güneş işareti) ayarına getirin. Aksi takdirde, motor aşırı ısınarak hasar görebilir.
- Ortam sıcaklığı düşükse (0 °C - 5 °C) ve nem yüksekse, karbüratör içerisinde su buharı donabilir ve motor sorunlu şekilde çalışmaya başlayabilir (karbüratör buzlanması). Gerekirse, perde ayarını aşağıda açıklandığı şekilde değiştirin.

- Temizleyici kapağını açın.
- Perdeyi çekin.
- Perdeyi buzlama önleme konumuna (kar işareti) ayarlayın.
- Temizleyici kapağını geri kapatın.



⚠ UYARI:

- Herhangi bir bakım veya kontrol çalışması yürütmeden önce ağaç kesim motorunun kapalı konuma getirildiğinden ve buji kapağının bujiden çıkartıldığından emin olun.
- Herhangi bir bakım çalışması gerçekleştirmeden önce motorun soğumasını bekleyin.
- Daima koruyucu eldiven takın.
- Ağaç kesim motorunu yalnızca tam olarak monte edildikten ve kontrolü yapıldıktan sonra çalıştırın.
- Açık alevlerden uzak durun ve sigara içmeyin.

⚠ DİKKAT:

- Ürünün GÜVENLİK ve GÜVENİRLİĞİNİN devamı için bu kılavuzda açıklanmayan tüm bakım, onarım ve ayar çalışmaları mutlaka Dolmar Yetkili Servis Merkezleri tarafından yapılmalıdır. Daima orijinal Dolmar yedek parçalarını kullanın.

Testere zincirinin bilenmesi

Zincirin şu durumlarda bilenmesi gerekir:

- Kesim sonucu ortaya çıkan çapaklar talaşa benziyorsa.
- Zincir, ağaca ancak çok fazla basınç uygulandığında giriyorsa.
- Kesim kenarında açık bir hasar görülüyorsa.
- Kesim sırasında ağaç kesim motoru sola veya sağa kayıyorsa. Bu durum, zincirin eşit şekilde bilenmemesinden kaynaklanır.

İKAZ:

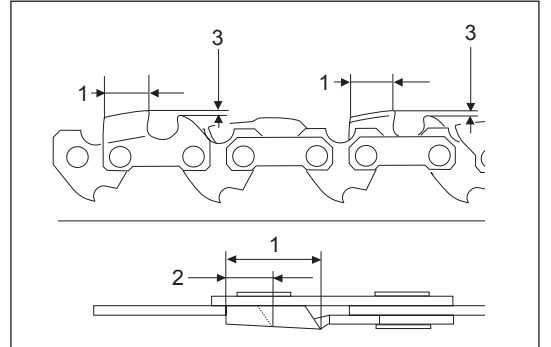
- Bileme işlemini sık sık tekrarlayın, ancak bu işlem sırasında çok fazla miktarda talaş çıkarmamaya çalışın. Genel olarak, iki veya üç tam eğe stroku yeterlidir.
- Daha önce kendi başınıza birkaç defa bilemiş olsanız dahi, zinciri bir servis merkezinde biletin.

Doğru bileme**⚠ DİKKAT:**

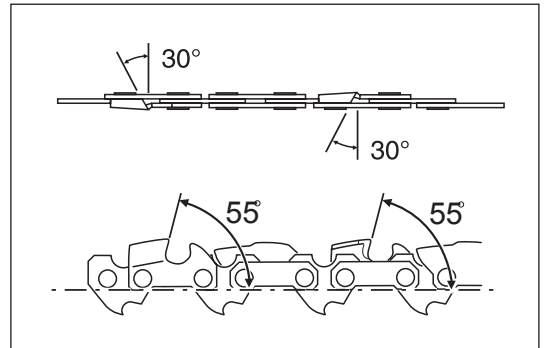
- Yalnızca ağaç kesim motoru için tasarlanan zincirler ve palalar kullanın.
- Aşırı derinlik (3) geri tepme riskini artırır.

Bileme kriterleri (492 (91PX) testere zinciri için)

- Testere zinciri üzerindeki tüm kesici parçaları (1) eşit uzunlukta tutun. Farklı uzunluklardaki kesici parçalar, zincirin zor dönmesine ve zincirde çatlamalara neden olacaktır.
- Minimum kesici parça uzunluğu (2): 4 mm. Kesici parça uzunluğunun 4 mm'nin altına düşmesi durumunda zinciri bilemeyin. Bu noktada testere zincirinin değiştirilmesi gerekir.
- Kesim derinliği (3), derinlik mesnedi (yuvarlak burun) ile kesici kenar yükseklikleri arasındaki farka göre belirlenir.
- En iyi sonuçlar 0,64 mm'lik (0,025") derinlikte elde edilir.

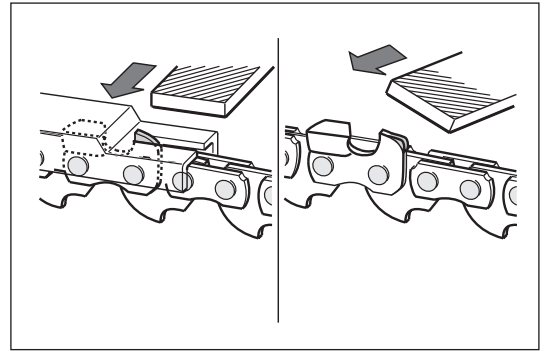
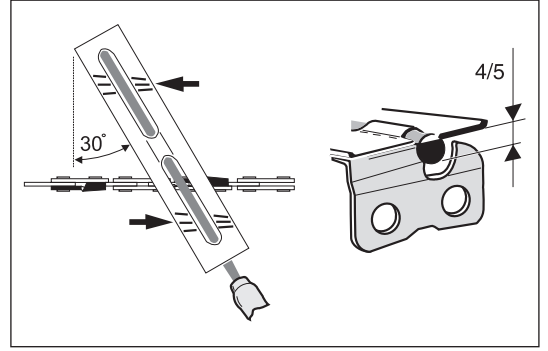
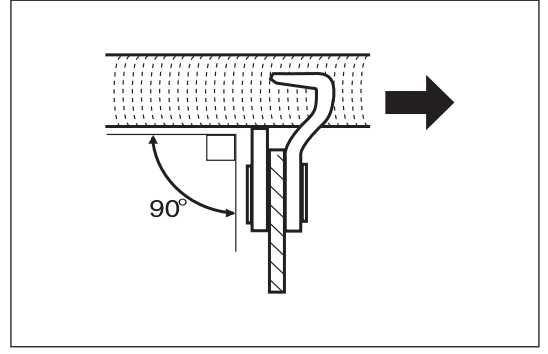


- Tüm kesici parçalar için 30°'lik aynı bileme açısını koruyun.
- Dişlere karşılık 55°'lik uygun bileme açısının korunması için uygun bir yuvarlak eğe kullanın.
- Kesici parçaları uygun açıda bileyin, aksi takdirde zincir sorunlu ve düzensiz şekilde çalışmaya ve testere zincirinde aşınma ve çatlama artmaya başlayabilir.



Eğeler ve eğe kullanımı

- Testere zincirinin bilenmesi için özel bir yuvarlak eğe (opsiyonel aksesuar) kullanın. Normal yuvarlak eğeler bu iş için uygun değildir.
- 4,0 mm çapında bir yuvarlak eğe kullanın.
- Eğe sadece ileri doğru hareketinde kesici parçayla temas etmelidir. Eğeyi geriye doğru çekerken kesici parçanın üzerinden kaldırın.
- Öncelikle en kısa kesici parçayı bileyin. Ardından, bu en kısa kesici parçanın uzunluğu testere zinciri üzerindeki diğer kesici parçalar olarak standart olarak kabul edilmelidir.
- Eğeyi şekilde gösterildiği gibi yönlendirin.
- Bir eğe tutucu (opsiyonel aksesuar) işlemi kolaylaştıracaktır. Eğe tutucu üzerinde 30°'lik doğru bileme için işaretler bulunur. Eğe tutucu kullanırken, işaretleri testere zincirine hizalayın ve bileme derinliğini eğe derinliğinin 4/5'i ile sınırlandırın.
- Zinciri biledikten sonra, kesim derinliğini zincir mesnet aletini (opsiyonel aksesuar) kullanarak kontrol edin.
- Küçük pürüzleri özel bir düz eğe (opsiyonel aksesuar) ile temizleyin.
- Derinlik mesnedinin ön kısmını yuvarlatın.



Zincir kapağının iç bölümünü temizleyin.

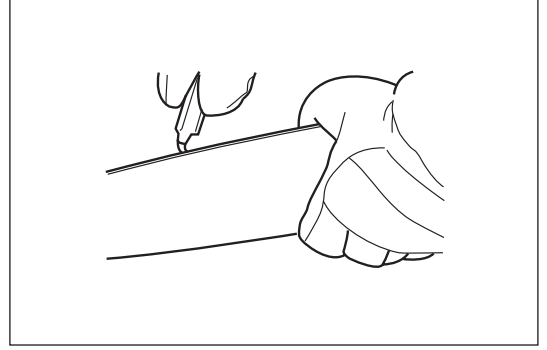
Zincir kapağını, testere zincirini ve palayı çıkartın.
Zincir kapağının iç bölümünü bir fırça yardımıyla temizleyin.

İKAZ:

Yağ besleme oluşunda, zincir gerdirmе piminde ve fren bandında artık veya yabancı madde kalmadığından emin olun.

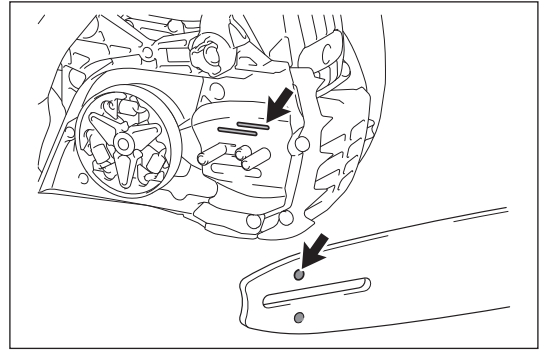
Palanın temizlenmesi

Pala yüzeylerinde hasar olup olmadığını düzenli olarak kontrol edin. Palayı uygun bir alet kullanarak temizleyin.



Yağ besleme oluşunun temizlenmesi

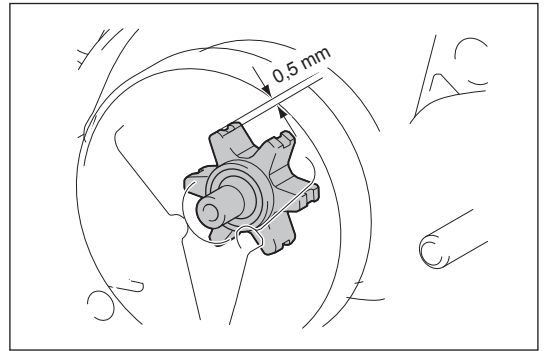
Yağ besleme oluşunu ve palanın üzerindeki yağ besleme deliğini düzenli aralıklarla temizleyin.



Zincir dişlisinin kontrolü

⚠ DİKKAT:

Aşınmış bir zincir dişlisi yeni testere zincirine hasar verebilir. Aşınmış bir zincir dişlisi üzerinde yeni bir zincir kullanmayın. Yeni bir testere zinciri takmadan önce, zincir dişlisini kontrol edin. Herhangi bir hasar veya zincir dişlisi 0,5 mm'den daha fazla aşındığını tespit ederseniz, Dolmar yetkili servis merkezinden onarım talep edin.



Hava temizleyicinin temizlenmesi

⚠ DİKKAT:

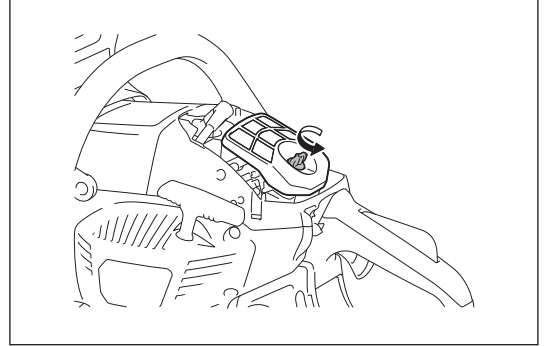
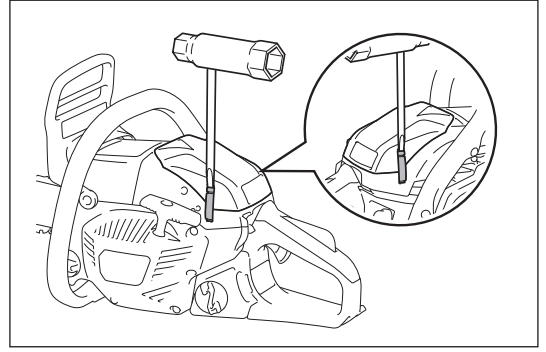
- Daima koruyucu gözlük takın.

Hava temizleyiciyi temizlemek için, şu adımları takip edin:

1. Kirlerin ve yabancı maddelerin karbüratör içerisine düşmesini engellemek için kombinasyon mandalını yukarı (jikle konumuna) kaldırın.
2. İki kancayı bir düz başlı tornavidayla açın ve temizleyici kapağını çıkartın.
3. Somunu gevşetin ve ardından hava temizleyiciyi çıkartın.

NOT:

- Temizlik sırasında, karbüratör içerisine kir veya yabancı madde girmesini önlemek için açıklığı temiz bir bezle kapatın.
- Hasar görmüşse, hava temizleyiciyi derhal değiştirin.
- 4. Kirleri temizlemek için bir fırça veya hava kompresörü kullanın.
- 5. Hava temizleyici çok kirliyse, yenisiyle değiştirin.
- 6. Hava temizleyici ve temizleyici kapağını yukarıdaki adımları tersten takip ederek yerlerine takın.



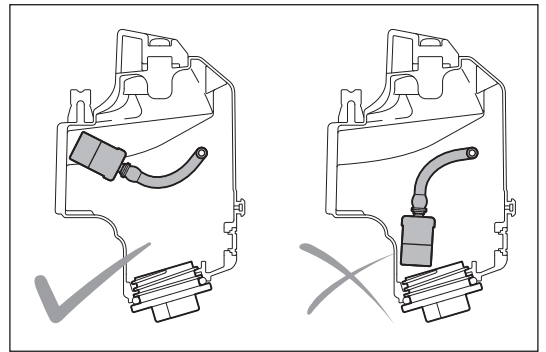
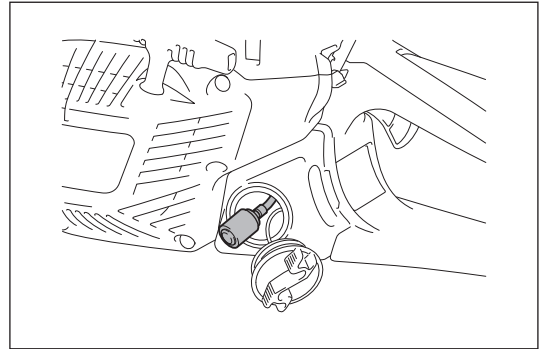
Yakıt filtresinin temizlenmesi

Emiş başlığındaki yakıt filtresi, karbüratör tarafından ihtiyaç duyulan yakıtın filtrelenmesi için kullanılır. Düzenli olarak gözle kontrol edin.

1. Depo kapağını açın ve ardından bir tel kanca yardımıyla emiş başlığını depo açıklığından çekerek çıkartın.
2. Filtre sertleşmiş veya tıkanmışsa, değiştirin.
3. Kontrol, temizlik ve değiştirme çalışmalarından sonra yakıt filtresini, hortum kelepçesiyle birlikte yakıt borusuna takın. Yakıt filtresini, yakıt deposunun altına doğru sonuna kadar bastırın.

NOT:

- Karbüratöre yeterli yakıt beslediğinden emin olmak için, yakıt filtresinin en az üç ayda bir defa değiştirilmesi önerilir. Aksi takdirde, yetersiz yakıt beslenmesi nedeniyle motor arızaları ortaya çıkabilir.

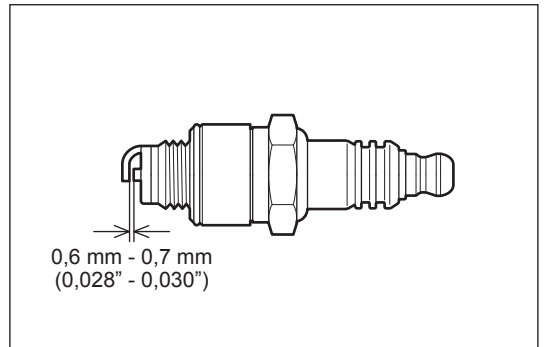


Bujinin kontrolü

⚠ DİKKAT:

- Motor çalışırken buji konektörüne kesinlikle dokunmayın (yüksek gerilimde elektrik çarpması tehlikesi).

Bujinin iki elektrotu arasındaki boşluk 0,6 ila 0,7 mm (0,028" ila 0,030") olmalıdır. Boşluk çok geniş veya darsa, ayarlayın. Buji tıkanırsa veya kirlenirse, iyice temizleyin veya değiştirin.



Silindir boşluğunun temizlenmesi

⚠ DİKKAT:

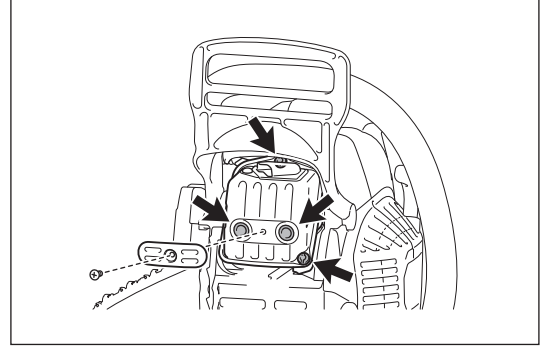
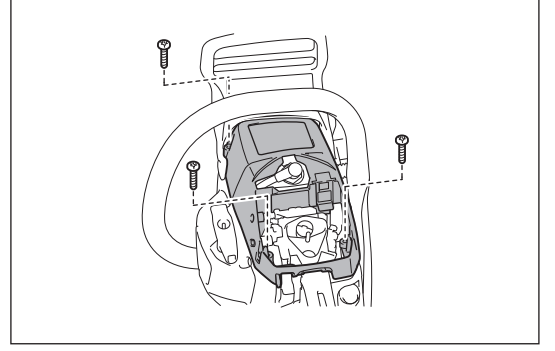
- Daima koruyucu gözlük takın.
- Uzun süreli çalışmalar sonrasında silindir boşluğunda toz birikebilir. Bu da motorun aşırı ısınmasına yol açabilir. Silindir boşluğunu düzenli olarak temizleyin.
- Temizlik işlemini şu şekilde gerçekleştirin:
1. İki kancayı açın ve temizleyici kapağını çıkartın.
 2. Hava temizleyicisini çıkartın.

NOT:

- Temizlik sırasında, karbüratör içerisine kir veya yabancı madde girmesini önlemek için açıklığı temiz bir bezle kapatın.
3. Üç adet vidayı sökün ve silindir kapağını çıkartın. Ön el siperi ileri doğru itildiğinde silindir kapağı daha kolay çıkartılabilir.
 4. Silindir boşluğunu ve silindir kanatlarını temizleyin. Gerekirse, bir fırça veya hava kompresörü kullanın.
 5. Silindir kapağını, hava temizleyiciyi ve temizleyici kapağını temizledikten sonra geri yerlerine takın.

Susturucu üzerindeki vidaların kontrolü

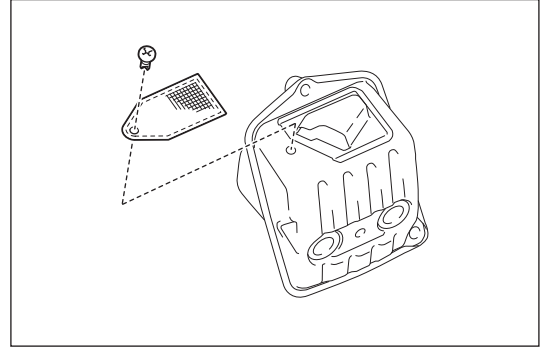
Silindir kapağını ve toz kapağını çıkartın ve susturucu üzerindeki dört adet vidanın sağlam şekilde sıkılı olduğunu kontrol edin. Gevşemişse, sıkın.



Kıvılcım tutucunun kontrolü

⚠ DİKKAT:

- Kıvılcım tutucu hasarlıysa veya çıkmışsa, motoru çalıştırmayın. Kıvılcım tutucu, sıcak karbonun egzoz borusunda dışarı püskürmesini engeller. Kıvılcım tutucuyu şu adımları takip ederek düzenli olarak kontrol edin:
1. Silindir kapağını çıkartın.
 2. Kıvılcım tutucuyu sabitleyen vidayı sökün. Ön el siperi ileri doğru itildiğinde vida daha kolay sökülebilir. Ardından kıvılcım tutucuyu kaydırın. Gerekirse, kıvılcım tutucuyu bir tel fırça yardımıyla temizleyin.
- Kıvılcım tutucu hasarlıysa, yenisiyle değiştirin.



Parçaların temizlenmesi

Bir bez parçasıyla sık sık silerek motorun daima temiz kalmasını sağlayın.

Gevşek cıvata, somun ve vidaların kontrolü

- Cıvataları, somunları vb. kontrol edin. Gerekirse, sıkın.
- Yakıt kapağının ve yağ kapağının sağlam şekilde sıkıldığını kontrol edin. Yakıt kaçağı olmadığını kontrol edin.
- Güvenli çalıştırma için, hasarlı parçaları yenileriyle değiştirin.

Makinenin saklanması

⚠ DİKKAT:

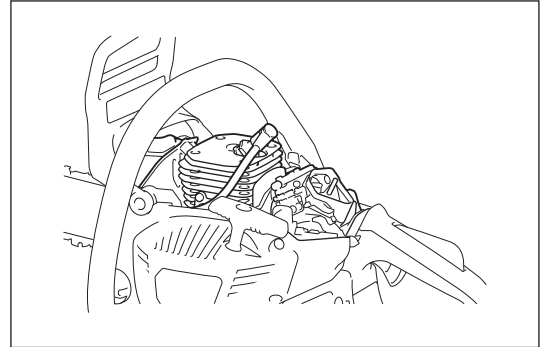
- Durdurulsa bile motor hala sıcak olabilir. Yakıtı boşaltırken, motorun durdurulduktan sonra soğuması için yeteri kadar bekleyin. Aksi takdirde, cilt yanıkları meydana gelebilir ve/veya yangın çıkabilir.
 - Makine uzun bir süre çalıştırılmayacaksa, yakıt deposu ve karbüratördeki yakıtı tamamen boşaltın ve kuru ve temiz bir yerde muhafaza edin.
- Biyolojik olarak ayrıştırılabilir testere zinciri yağı sadece belirli bir süre muhafaza edilebilir. Üretim tarihinden iki yıl sonra biyolojik yağlar yapışkanlaşmaya başlar ve yağ pompasına ve yağlama sistemindeki diğer bileşenlere hasar verir.
- Ağaç kesim motorunu uzun bir süre kullanmayacağınız durumlarda, yağ deposunu boşaltın ve yerine az miktarda makine yağı (SAE 30) doldurun.
 - Biyolojik yağın tüm artıklarını depodan, yağlama sisteminden ve ağaç kesim motoru mekanizmasından temizlemek için ağaç kesim motorunu kısa bir süre çalıştırın.

Ağaç kesim motorunu uygun bir yüzeyde muhafaza edin.

Ağaç kesim motorunu tekrar kullanmaya başlamadan önce, biyolojik olarak bozunabilen taze testere zinciri yağıyla doldurun.

NOT:

- Ağaç kesim motoru kullanım dışı kaldığında, bir süre sonra makineden az miktarda zincir yağı sızmaya başlayabilir. Bu, normal bir durumdur ve bir arıza belirtisi olarak algılanmamalıdır.



BAKIM ARALIĞI

Makinenin uzun ömürlü olması ve güvenli işlevlerinin görevlerini tam olarak yerine getirmesi için, bakım çalışmalarını düzenli olarak gerçekleştirin.

Çalışma süresi Parça		Çalışma öncesi	Her gün	Her hafta	Her 3 ayda bir	Yıllık	Depoya kaldırmadan önce
Ağaç kesim motoru	Kontrol.	<input type="radio"/>					
	Temizleme.		<input type="radio"/>				
	Yetkili servis merkezinde kontrol.					<input type="radio"/>	
Testere zinciri	Kontrol. / Gerekirse bilenmesi.	<input type="radio"/>					
Pala	Kontrol.	<input type="radio"/>					
Zincir freni	Çalışma kontrolü.	<input type="radio"/>					
	Yetkili bir servis merkezine düzenli olarak kontrol ettirin.				<input type="radio"/>		
Marş ipi	Kontrol.	<input type="radio"/>					
Zincir yağlama	Yağ beslemesi devrini kontrol edin.	<input type="radio"/>					
Kombinasyon mandalı	Kontrol.	<input type="radio"/>					
Kısma mandalı kilidi	Kontrol.	<input type="radio"/>					
Kısma mandalı	Kontrol.	<input type="radio"/>					
Yakıt deposu kapağı	Sıklık kontrolü.	<input type="radio"/>					
Yağ deposu kapağı	Sıklık kontrolü.	<input type="radio"/>					
Hava temizleyici	Temizleme.		<input type="radio"/>				
Rölanti devri	Testere zinciri rölanti devrinde hareket etmemelidir.		<input type="radio"/>				
Silindir boşluğu	Temizleme.			<input type="radio"/>			
Buji	Kontrol. / Temizleme. / Gerekirse değiştirilmesi.				<input type="radio"/>		
Kıvılcım tutucu	Kontrol. / Temizleme. / Gerekirse değiştirilmesi.				<input type="radio"/>		
Susturucu	Vidaların sıklık kontrolü.			<input type="radio"/>			
Zincir yakalayıcı	Kontrol.			<input type="radio"/>			
Vidalar ve somunlar	Kontrol.			<input type="radio"/>			
Yakıt filtresi	Kontrol. / Gerekirse değiştirilmesi.				<input type="radio"/>		
Yakıt deposu	Boş.						<input type="radio"/>
Karbüratör	Boş çalıştırın.						<input type="radio"/>

* Yağı boşaltmadan önce, eski yağın bertarafı için uygun bir yöntem bulun. Bu yağı doğrudan kanalizasyon sistemine, bahçe toprağına veya açık sulara boşaltmayın. Bulduğunuz ülke veya bölgede yürürlükte olan atık veya çevre yönetmeliklerinde doğru bertaraf hakkında daha ayrıntılı bilgi bulabilirsiniz.

SORUN GİDERME

Onarım talebinde bulunmadan, lütfen sorunu önce kendiniz kontrol edin. Onarım için, yetkili servis merkezlerine danışın.

Arıza durumu	Olası nedeni	Çözümü
Zincir çalışmıyor.	Zincir freni devreDEDİR.	Zincir frenini serbest bırakın.
Motor çalışmıyor.	Buji arızalıdır.	Bujiyi kontrol edin.
	Yakıt deposu boşTUR.	Yakıt deposunu doldurun.
	Yakıt besleme sorunu.	Yakıt filtresinin tıkalı olmadığını kontrol edin.
	Makine arızası.	Onarım için size en yakın yetkili servis merkezine danışın.
Yetersiz performans.	Hava temizleyici kirlidir.	Hava temizleyiciyi temizleyin. Gerekirse, DEĞİŞTİRİN.
	Silindir boşluğu kirlidir.	Silindir boşluğunu temizleyin.
	Ortam sıcaklığı çok düşüktür.	Karbüratörün perde ayarını DEĞİŞTİRİN. Bkz. "Karbüratör buzlanmasının önlenmesi".
Testere zincirinde yağ yok.	Yağ deposu boşTUR.	Yağ deposunu doldurun.
	Yağ besleme oluğu kirlidir.	Oluğu temizleyin.
	Yağ dağıtımı doğru şekilde ayarlanmamıştır.	Yağ dağıtım miktarını ayarlayın.
	Yağ pompası arızalıdır.	Onarım için size en yakın yetkili servis merkezine danışın.
Zincir, zincir freni uygulanmasına rağmen durmuyor.	Fren bandı aşınmıştır.	Makineyi kullanmayı derhal durdurun ve onarım için size en yakın yetkili servis merkezine danışın.
Makine anormal titreşimli çalışıyor.	Pala ve testere zinciri gevşemiştir.	Palanın ve testere zincirinin gerginliğini ayarlayın.
	Makine arızası.	Makineyi kullanmayı derhal durdurun ve onarım için size en yakın yetkili servis merkezine danışın.
Zincir motor rölantide çalışırken durmuyor.	Rölanti devri çok yüksektir.	Rölanti devrini düzeltin.
	Kavrama hasarlıdır.	Makineyi kullanmayı derhal durdurun ve onarım için size en yakın yetkili servis merkezine danışın.

Makita Europe N.V. Jan-Baptist Vinkstraat 2,
3070 Kortenberg, Belgium

Makita Corporation 3-11-8, Sumiyoshi-cho,
Anjo, Aichi 446-8502 Japan