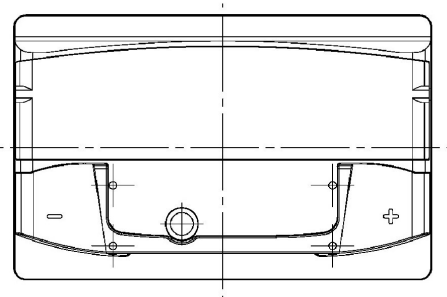
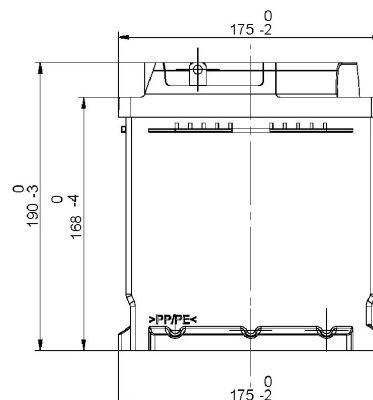
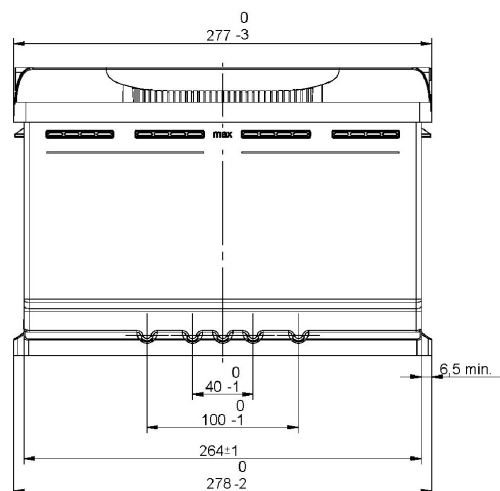


Central Article Code: L03078C74-A

Created: 24/04/2008

ETN Code or Other:

Modified: 11/25/2009



Final Outlook	L0374-A
Approval date	01/05/2008

## PERFORMANCES

Voltage (V):	12 V
C20 (Ah):	77.0      20 h
Rc (min):	0
Cranking (A):	760      EN
Vibration:	V2 (35Hz/6g/2h)
Endurance:	E2 (90 cycles@50%)
Charge:	WET
Technology:	Vented/Flooded
Grid:	Ca/Ca

## WEIGHT AND STD. DIMENSIONS

Battery Weight (kg):	19.01
Volume acid (l):	4.20
Length (mm):	278
Width (mm):	175
Height (mm):	190

All figures show nominal values. Tolerances are according to EN50342 and applicable European Regulations.

## CONTAINER

Type:	L03	GREY DARK
Hold Down:	B13	
H.D. Adapter:	No	

## COVER

Type:	Double with Rigid	GREY DARK
Polarity:	ETN 0	
Terminals:	EN taper post	
Terminal Adapter:	No	
SOCI:	Black SOCI with one ball	
Ventilation:	Central	
Filter:	2 Filters	
Lateral Plug:	Standard shape	Positive pole side      BLACK

## PLUGS

Type:	1 x Vent Sealed PSL-	GREY DARK
-------	----------------------	-----------

## HANDLES

Type:	1 x PSL AM	GREY DARK
-------	------------	-----------

## OTHERS

Degassing Tube:	No
-----------------	----