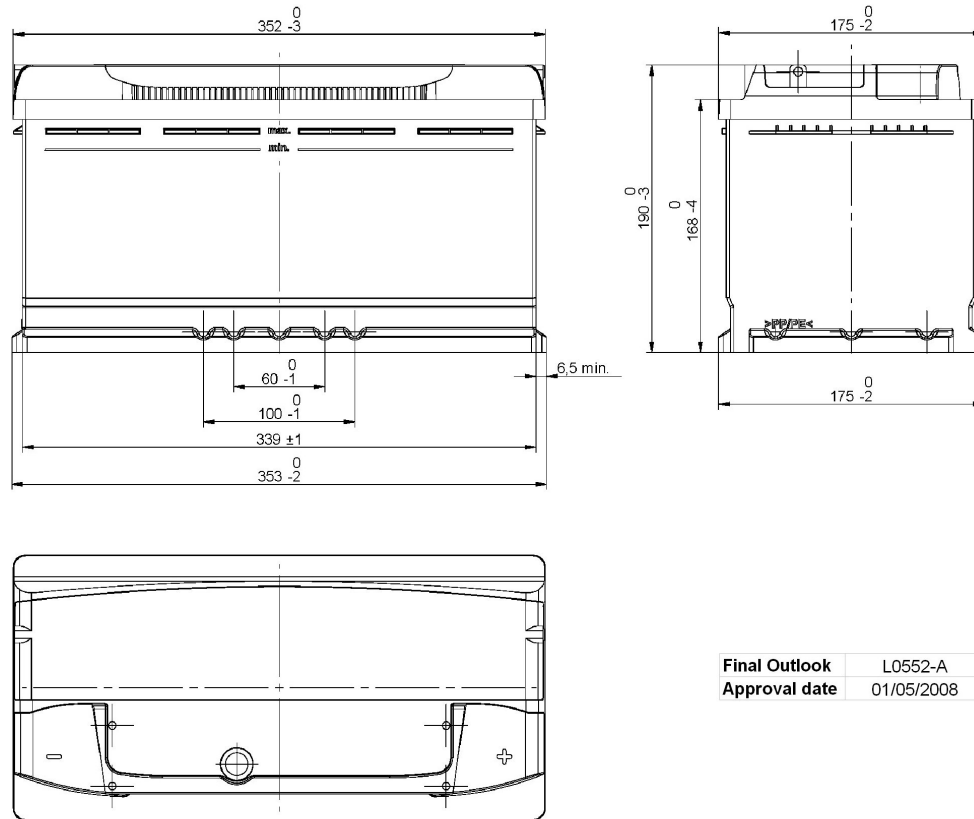


Central Article Code: L05093C52-A  
 ETN Code or Other:

Created: 24/04/2008  
 Modified: 6/29/2009



Final Outlook	L0552-A
Approval date	01/05/2008

## PERFORMANCES

Voltage (V): 12 V  
 C20 (Ah): 100.0      20 h  
 Rc (min): 0  
 Cranking (A): 900      EN  
 Vibration: V2 (35Hz/6g/2h)  
 Endurance: E2 (90 cycles@50%)  
 Charge: WET  
 Technology: Vented/Flooded  
 Grid: Ca/Ca

## WEIGHT AND STD. DIMENSIONS

Battery Weight (kg): 23.39  
 Volume acid (l): 5.66  
 Length (mm): 353  
 Width (mm): 175  
 Height (mm): 190

All figures show nominal values. Tolerances are according to EN50342 and applicable European Regulations.

## CONTAINER

Type: L05      GREY DARK  
 Hold Down: B13  
 H.D. Adapter: No

## COVER

Type: Double with Rigid      GREY DARK  
 Polarity: ETN 0  
 Terminals: EN taper post  
 Terminal Adapter: No  
 SOCI: Black SOCI with one ball  
 Ventilation: Central  
 Filter: 2 Filters  
 Lateral Plug: Standard      Positive      BLACK  
    shape      pole side

## PLUGS

Type: 1 x Vent Sealed PSL- GREY DARK

## HANDLES

Type: 1 x PSL AM      GREY DARK

## OTHERS

Degassing Tube: No